



US00D927566S

(12) **United States Design Patent** (10) **Patent No.:** **US D927,566 S**
Yao (45) **Date of Patent:** **** Aug. 10, 2021**

(54) **THREE-DIMENSIONAL PRINTER**

(71) Applicant: **Zhuhai Sailner 3D Technology Co., Ltd.**, Zhuhai (CN)

(72) Inventor: **Xiaoxia Yao**, Zhuhai (CN)

(73) Assignee: **ZHUHAI SAILNER 3D TECHNOLOGY CO., LTD.**, Zhuhai (CN)

(**) Term: **15 Years**

(21) Appl. No.: **29/737,613**

(22) Filed: **Jun. 10, 2020**

(30) **Foreign Application Priority Data**

Dec. 25, 2019 (CN) 201930728330.6

(51) **LOC (13) Cl.** **15-09**

(52) **U.S. Cl.**
USPC **D15/122**

(58) **Field of Classification Search**
USPC D15/122, 135; D7/323, 346; D18/53, D18/39; D24/163, 219
CPC B29C 64/20; B29C 64/25; B29C 64/118; B29C 64/255; B29C 64/336; B29C 64/386; B29C 64/209; B33Y 30/00; B33Y 10/00; B33Y 99/00
See application file for complete search history.

(56) **References Cited**

U.S. PATENT DOCUMENTS

D722,108 S * 2/2015 Reches D18/50
D776,174 S * 1/2017 Summit D15/122
D819,821 S * 6/2018 Yamanaka D24/163
D871,463 S * 12/2019 Cao D15/122
D879,850 S * 3/2020 Wolf D15/199
D886,167 S * 6/2020 Wang D15/122

D892,875 S * 8/2020 Medalsy D15/122
2010/0096489 A1 * 4/2010 Taatjes B29C 64/106
242/520
2014/0085620 A1 * 3/2014 Lobovsky B33Y 40/00
355/72

(Continued)

OTHER PUBLICATIONS

Armadillo industrial Sales, CreatBot F1000, (site visited Oct. 29, 2020), Armadilloindustrial.com, URL:<https://armadilloindustrial.com/products/creatbot-f1000-large-scale-industrial-3d-printer> (Year: 2020).*

(Continued)

Primary Examiner — Sheryl Lane
Assistant Examiner — Mark T. Philipps

(74) *Attorney, Agent, or Firm* — Anova Law Group, PLLC

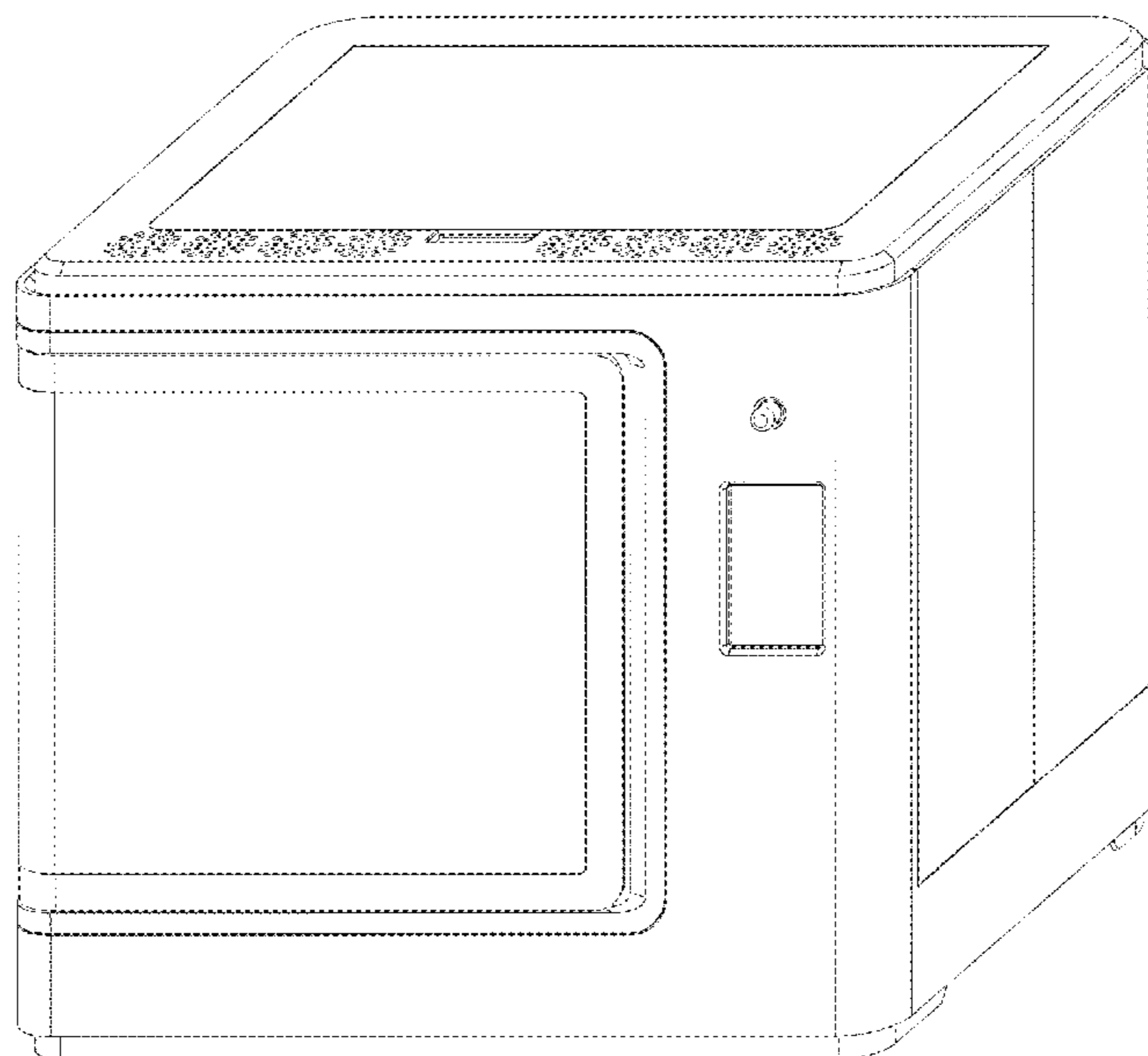
(57) **CLAIM**

The ornamental design for a three-dimensional printer, as shown and described.

DESCRIPTION

FIG. 1 is a front view of a three-dimensional (3D) printer in accordance with the present disclosure.
FIG. 2 is a rear view of the 3D printer shown in FIG. 1.
FIG. 3 is a left-side view of the 3D printer shown in FIG. 1.
FIG. 4 is a right-side view of the 3D printer shown in FIG. 1.
FIG. 5 is a top view of the 3D printer shown in FIG. 1.
FIG. 6 is a bottom view of the 3D printer shown in FIG. 1.
FIG. 7 is a front, top, and right-side perspective view of the 3D printer shown in FIG. 1; and,
FIG. 8 is a front, top, and right-side perspective view of the 3D printer shown in FIG. 1, when the 3D printer is in an open state.
The broken lines show portions of a 3D printer which form no part of the claimed design.

1 Claim, 5 Drawing Sheets



(56)

References Cited

U.S. PATENT DOCUMENTS

2015/0283763 A1* 10/2015 Chi B29C 64/386
700/119
2016/0136893 A1* 5/2016 Chang B29C 64/209
425/150
2016/0193784 A1* 7/2016 Tadin B29C 64/25
425/375
2018/0354196 A1* 12/2018 Wu B33Y 50/02
2020/0307070 A1* 10/2020 Swanson B29C 64/336

OTHER PUBLICATIONS

FlashForge, Adventurer 3 Lite FDM 3D Printer, (first available Jan. 14, 2019), Amazon.com, URL:<<https://www.amazon.com/FlashForge-Adventurer-Lite-FDM-Printer/dp/B07TYRGWSQ>> (Year: 2019).*

Dremel, Digilab 3D20 3D Printer, (first available Sep. 3, 2014), Amazon.com, URL:<<https://www.amazon.com/Dremel-Digilab-Printer-Hobbyists-Tinkerers/dp/B00NA00MWS>> (Year: 2014).*

* cited by examiner

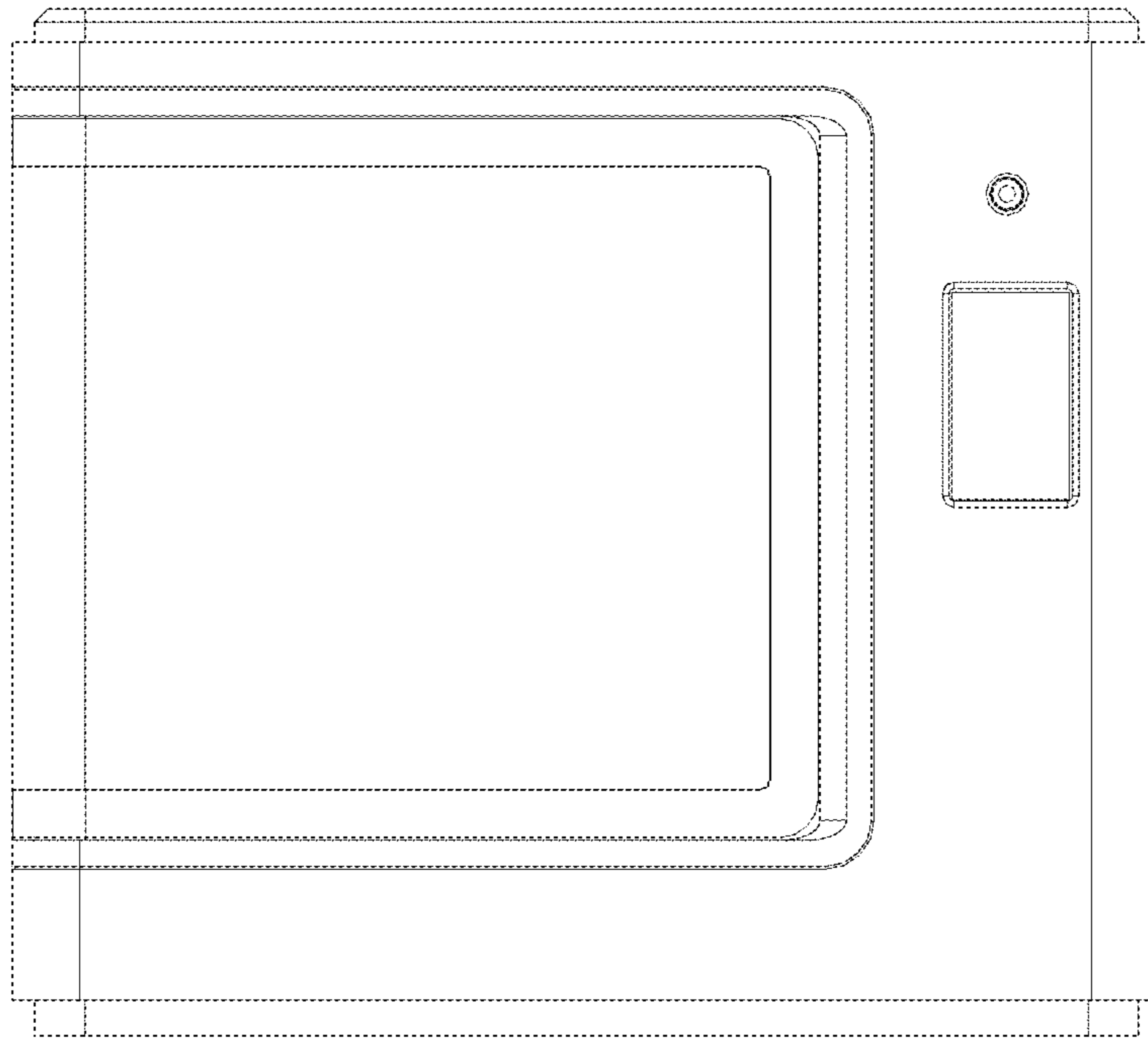


FIG. 1

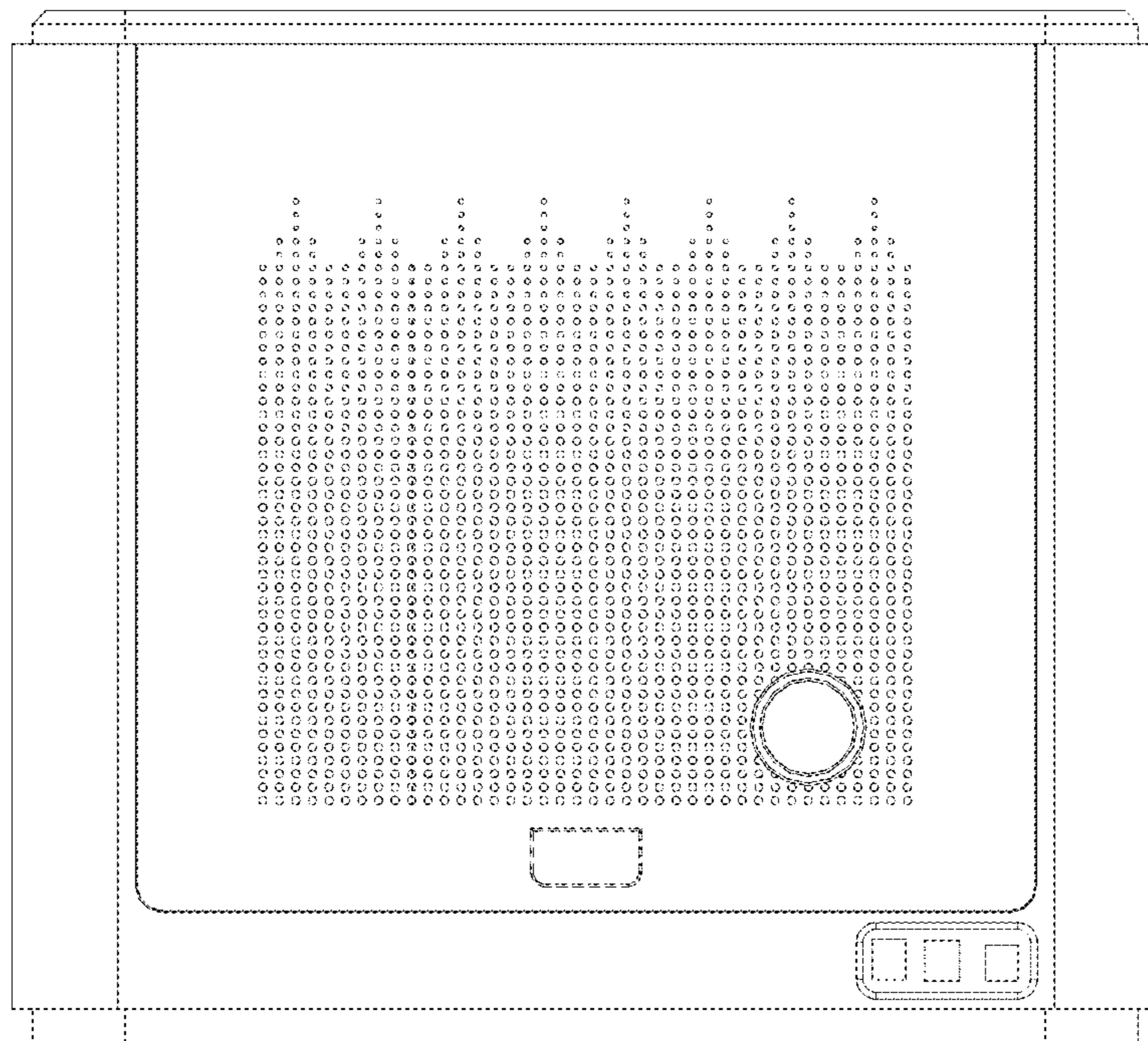


FIG. 2

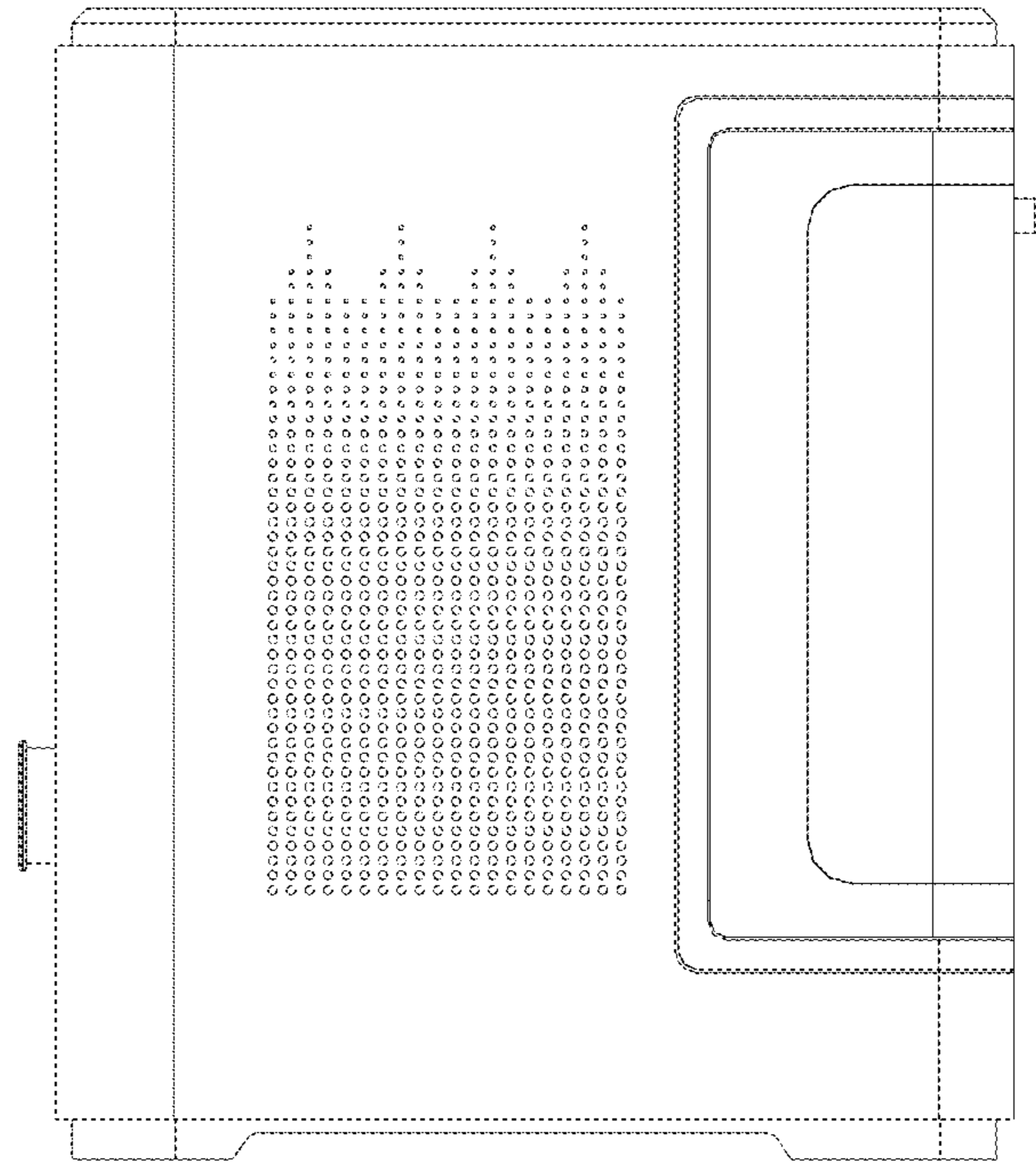


FIG. 3

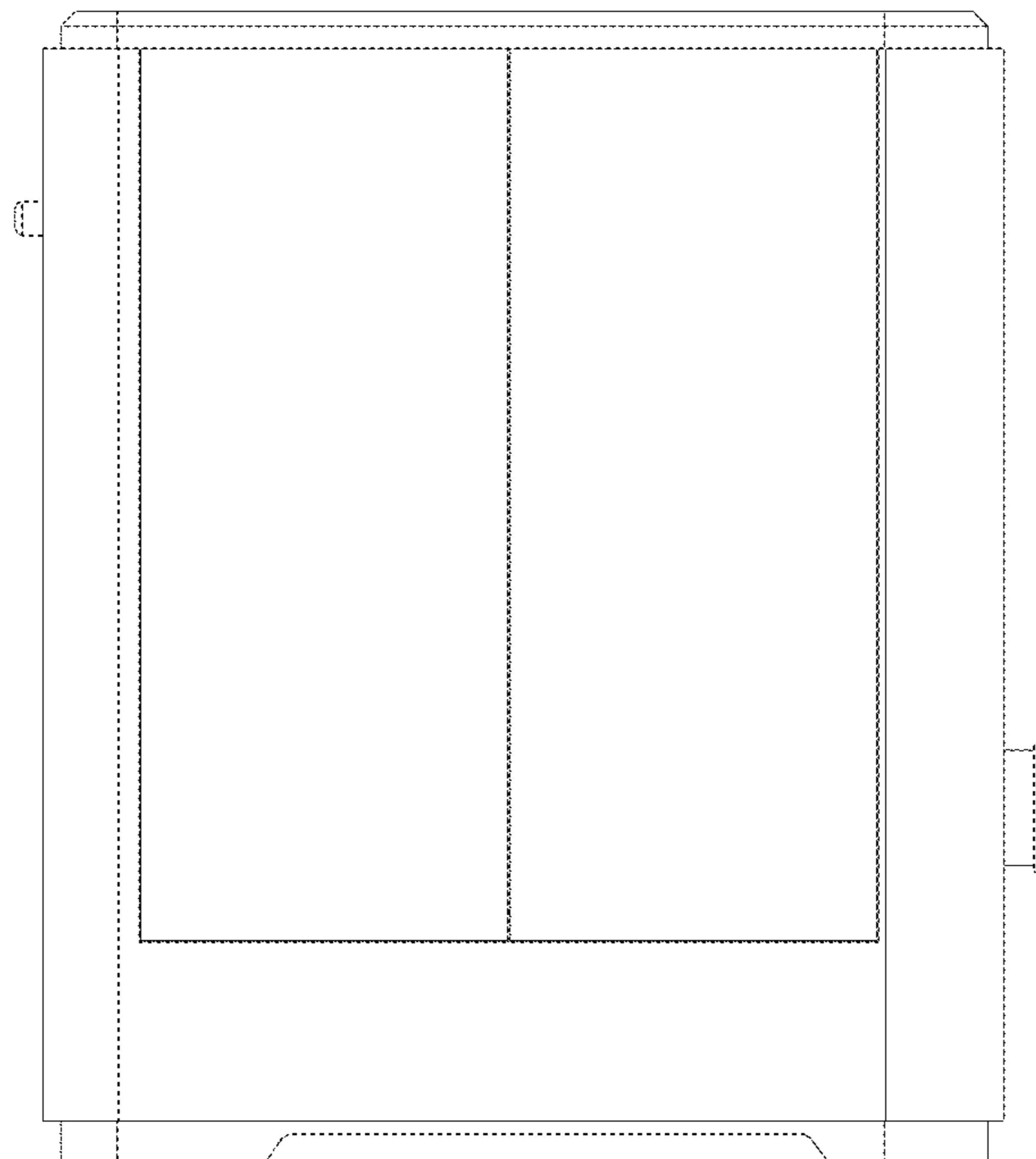


FIG. 4

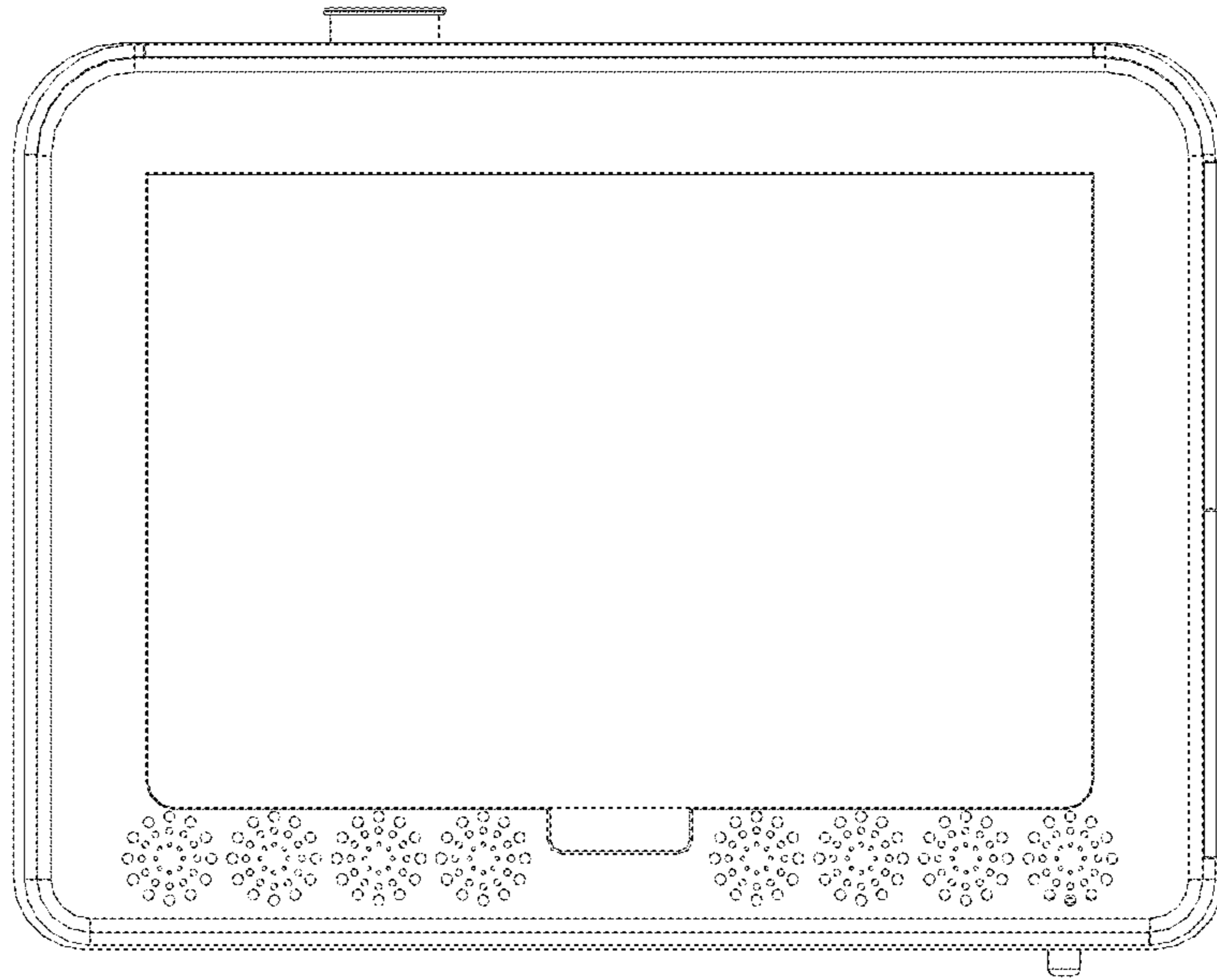


FIG. 5

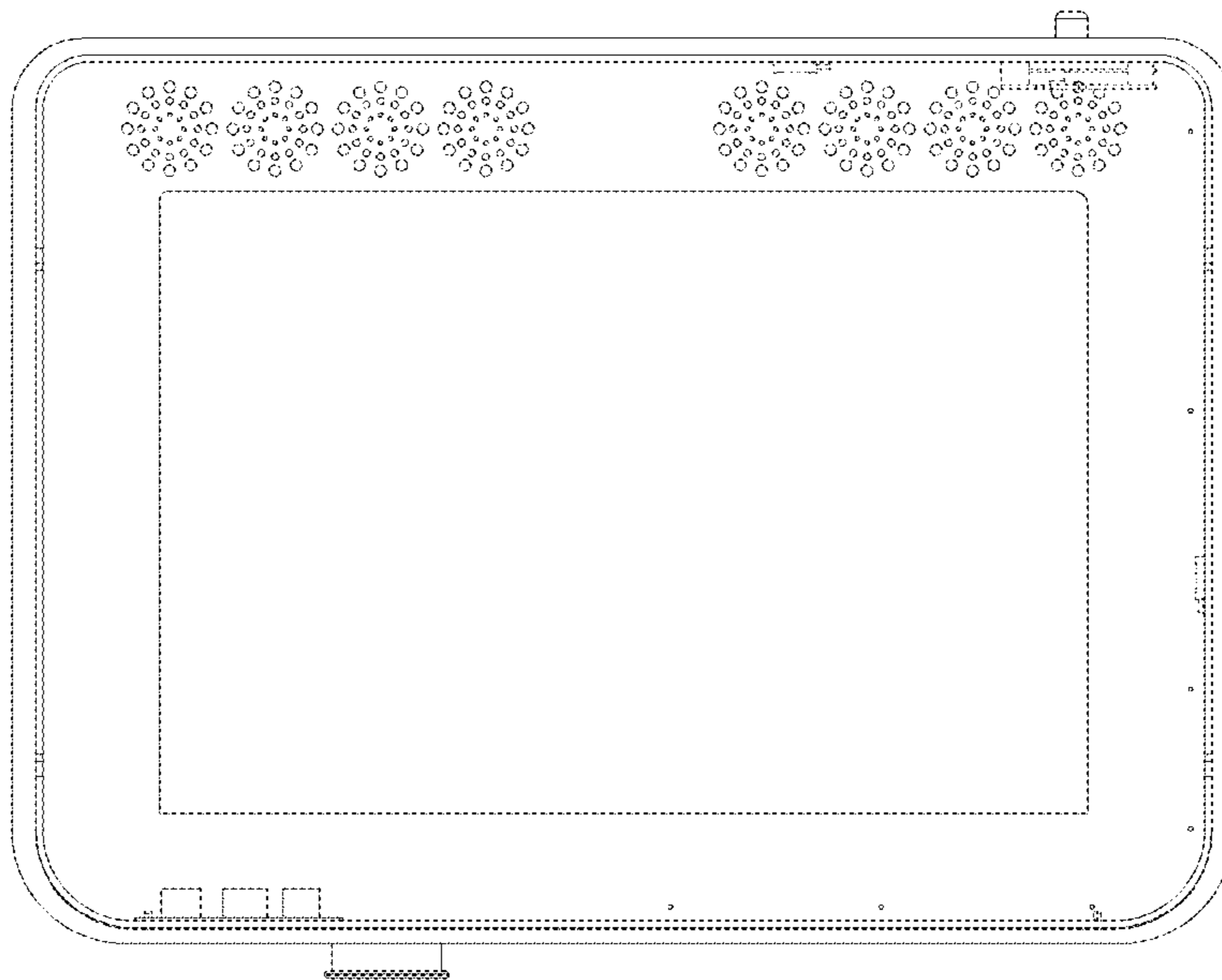


FIG. 6

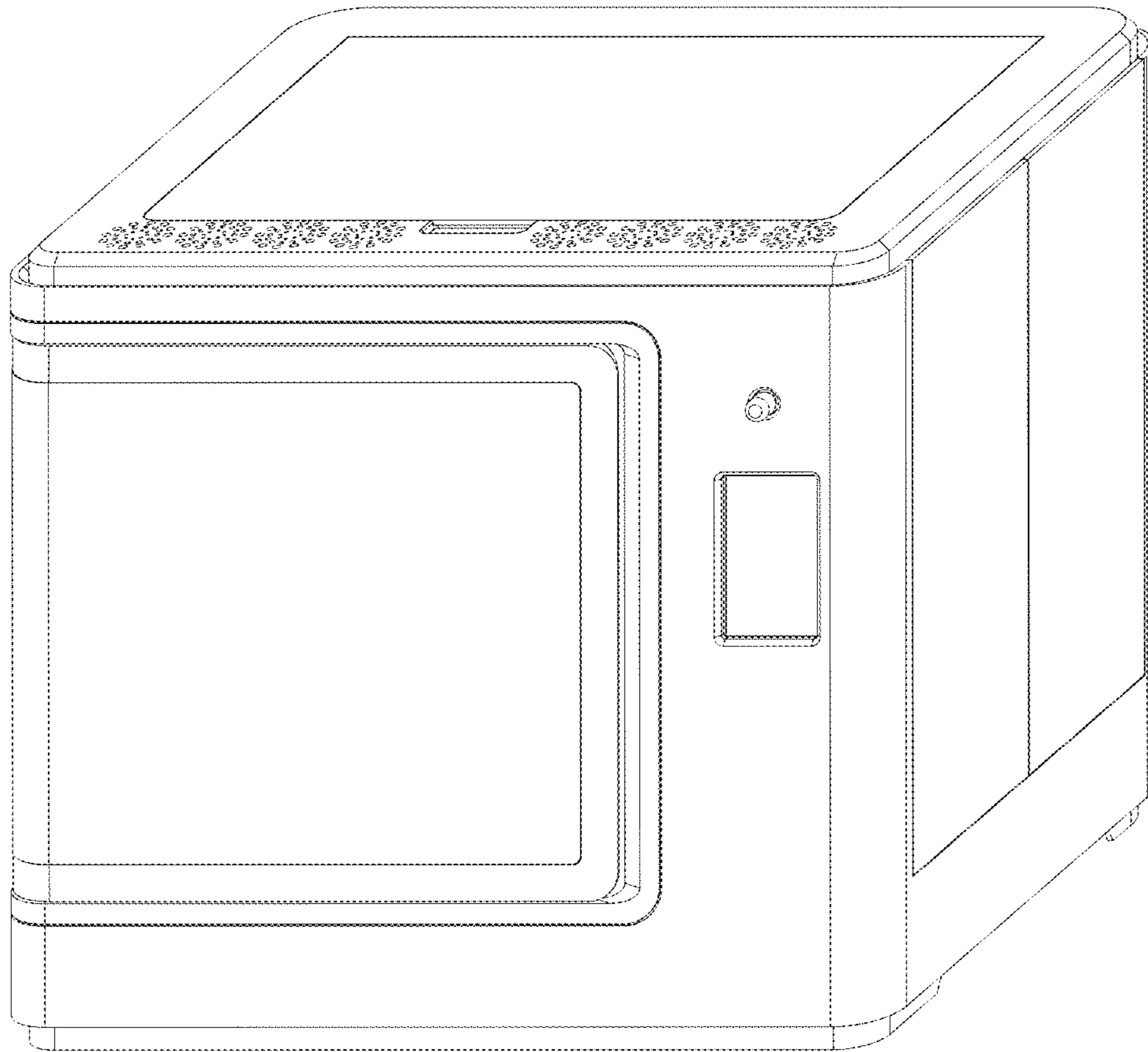


FIG. 7

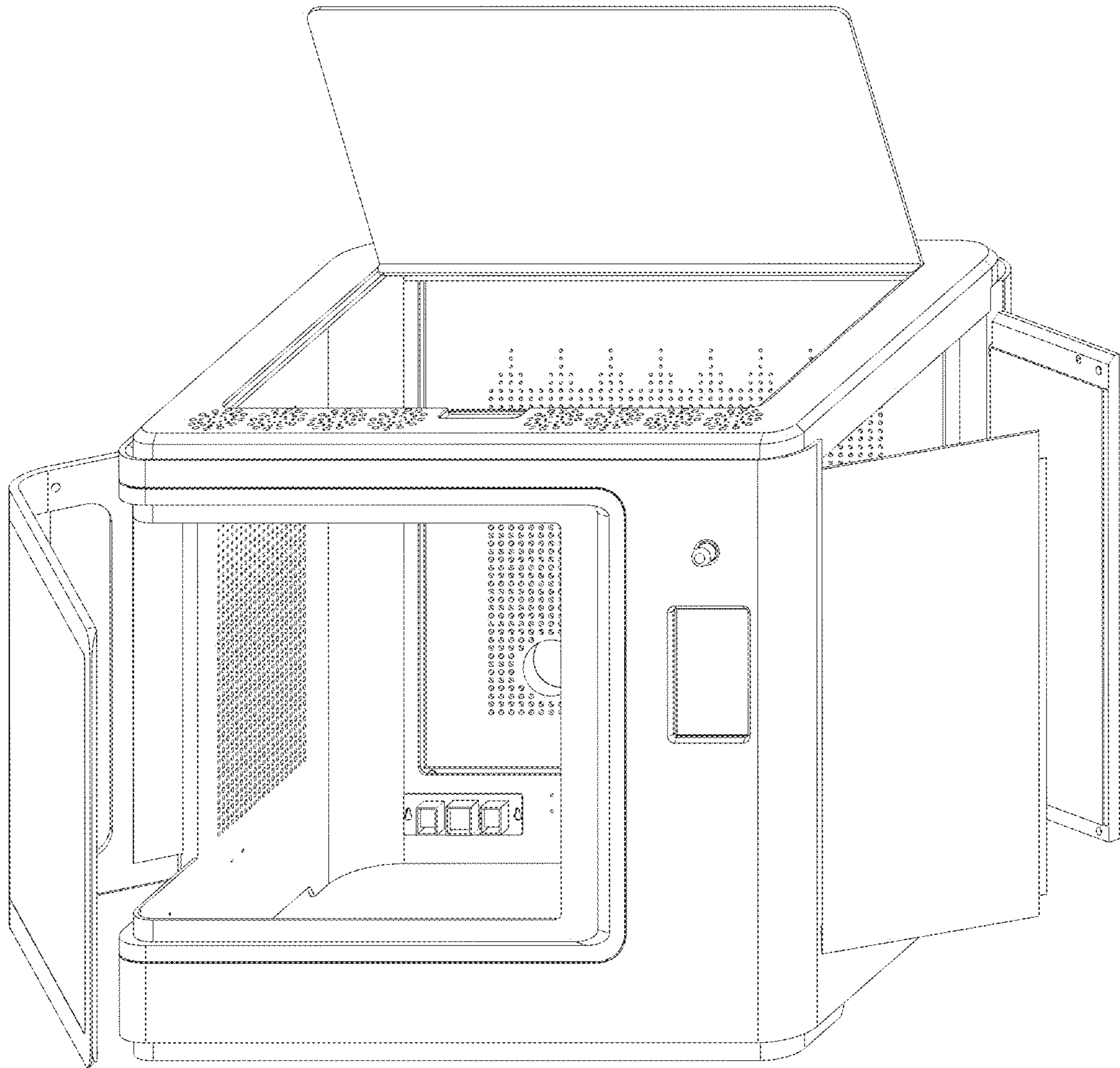


FIG. 8