



US00D927564S

(12) **United States Design Patent**
Nam et al.

(10) **Patent No.:** **US D927,564 S**
(45) **Date of Patent:** **** Aug. 10, 2021**

(54) **RACK FOR DISHWASHER TROLLEY**

(71) Applicant: **LG ELECTRONICS INC.**, Seoul (KR)

(72) Inventors: **Bohyun Nam**, Seoul (KR); **Wonjun Lee**, Seoul (KR); **Seonil Yu**, Seoul (KR); **Kyutae Park**, Seoul (KR); **Jungkyu Son**, Seoul (KR)

(73) Assignee: **LG ELECTRONICS INC.**, Seoul (KR)

(**) Term: **15 Years**

(21) Appl. No.: **35/508,625**

(22) Filed: **Mar. 13, 2019**

(80) **Hague Agreement Data**

Int. Filing Date: **Mar. 13, 2019**
Int. Reg. No.: **DM/205941**
Int. Reg. Date: **Mar. 13, 2019**
Int. Reg. Pub. Date: **Feb. 14, 2020**

(30) **Foreign Application Priority Data**

Sep. 17, 2018 (KR) 30-2018-0043504

(51) **LOC (13) Cl.** **15-07**

(52) **U.S. Cl.**
USPC **D15/89**

(58) **Field of Classification Search**

USPC D32/2, 3, 25, 28
CPC A47L 15/507; A47L 15/4257; A47L 15/22;
A47L 15/23; A47L 15/4221; A47L
15/4285; A47L 15/4293; A47L 15/486;
A47L 15/502; A47L 15/16; A47L
15/4219; A47L 15/4225; A47L 15/4259;
A47L 15/4261; A47L 15/4282; A47L
15/46; A47L 15/488; A47L 15/506; A47L
15/508; A47L 2401/26; A47L 2401/30;
A47L 2501/05; A47L 2501/06; A47L
2501/12; A47L 13/20; A47L 15/0018;

A47L 15/0021; A47L 15/0036; A47L
15/0044; A47L 15/0047; A47L 15/0049;
A47L 15/0052; A47L 15/0063; A47L
15/0089; A47L 15/14; A47L 15/18; A47L
15/4214; A47L 15/4234; A47L 15/4236;
A47L 15/4251; A47L 15/4253; A47L
15/4263; A47L 15/4278; A47L 15/4287;
A47L 15/4291; A47L 15/4295; A47L
15/44; A47L 15/48; A47L 15/483; A47L
15/50; A47L 15/501; A47L 15/504; A47L
15/505;

(Continued)

(56) **References Cited**

U.S. PATENT DOCUMENTS

D506,855 S * 6/2005 Compagnucci D32/3
D640,842 S * 6/2011 Eng D32/3
(Continued)

Primary Examiner — Khawaja Anwar
(74) *Attorney, Agent, or Firm* — Birch, Stewart, Kolasch
& Birch LLP

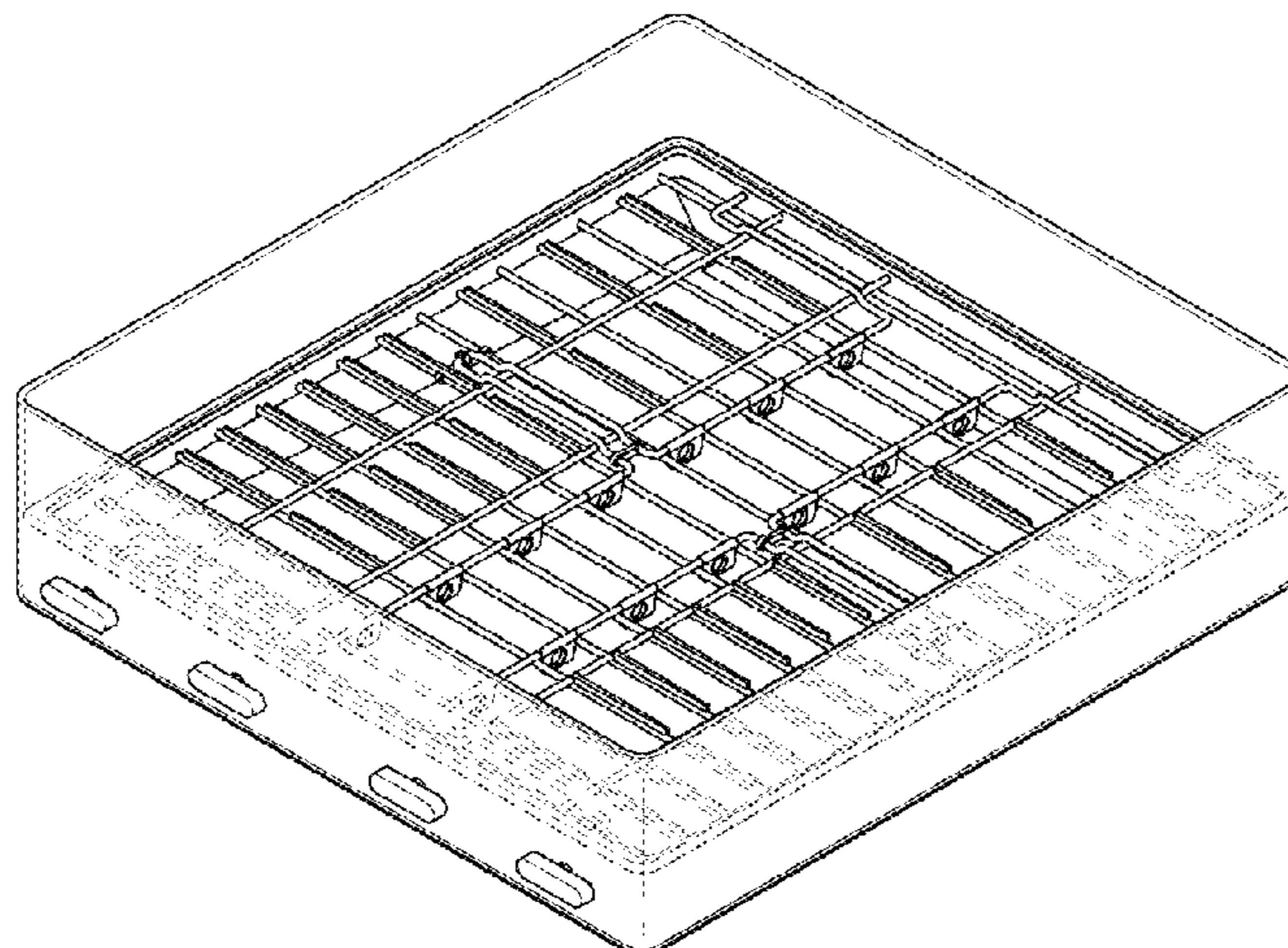
(57) **CLAIM**

The ornamental design for a rack for dishwasher trolley, as shown and described.

DESCRIPTION

- 1. Rack for dishwasher trolley
- 1.1 : Perspective
- 1.2 : Front
- 1.3 : Back
- 1.4 : Left
- 1.5 : Right
- 1.6 : Top
- 1.7 : Bottom
- 1.8 : Reference
- 1.9 : Reference

(Continued)



The portion of the design shown in the color grey in Figures 1.3 and 1.7 is for the purpose of illustrating portions of the rack for dishwasher trolley and forms no part of the claimed design.

1 Claim, 9 Drawing Sheets

(58) **Field of Classification Search**

CPC A47L 2301/00; A47L 2401/04; A47L 2401/06; A47L 2401/09; A47L 2401/12; A47L 2401/14; A47L 2401/18; A47L 2401/19; A47L 2401/20; A47L 2401/24; A47L 2401/34; A47L 2501/01; A47L 2501/02; A47L 2501/03; A47L 2501/07; A47L 2501/10; A47L 2501/26; A47L 2501/30; A47L 2501/36; A47L 2601/06; A47L 2601/10

See application file for complete search history.

(56)

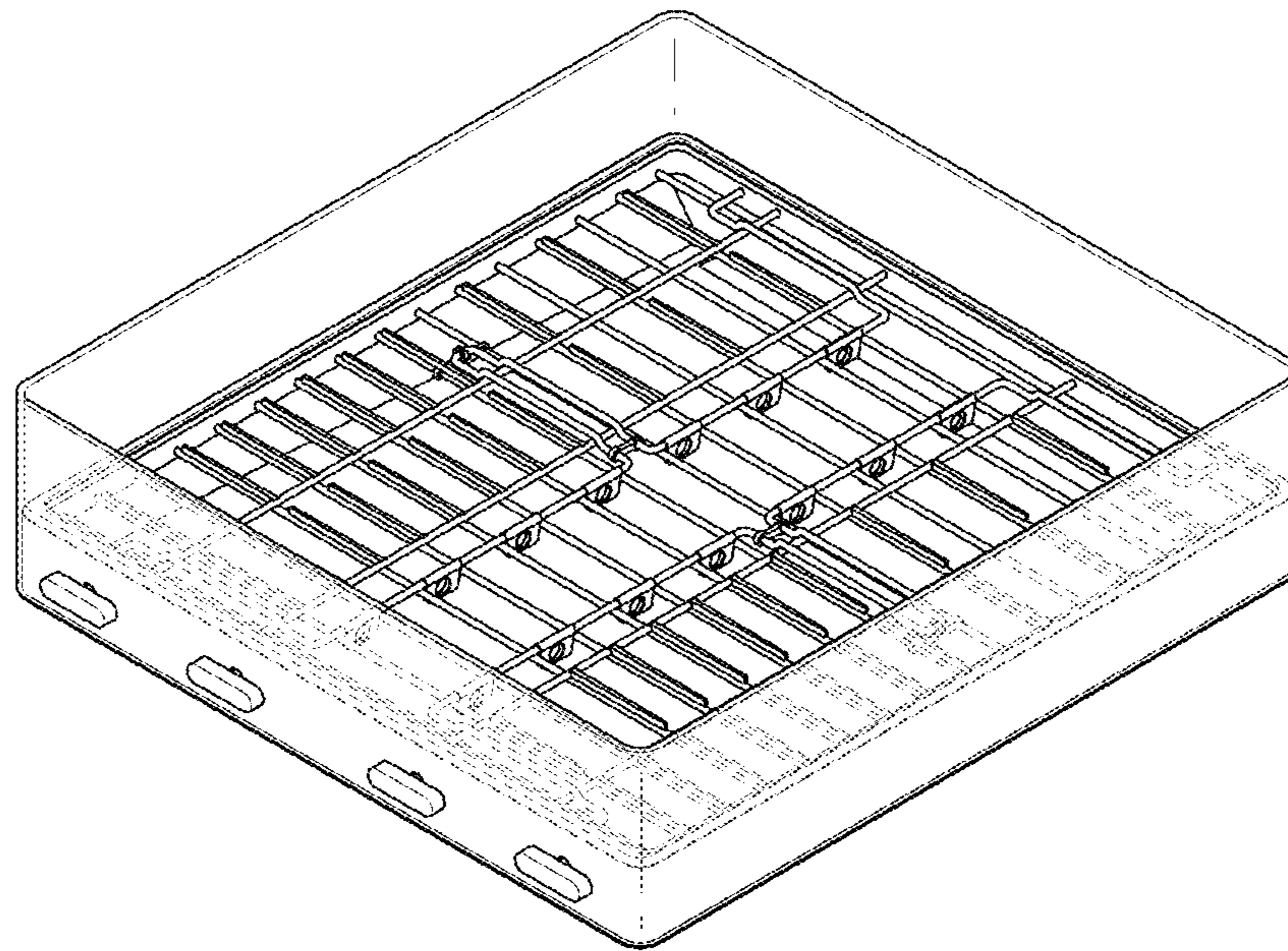
References Cited

U.S. PATENT DOCUMENTS

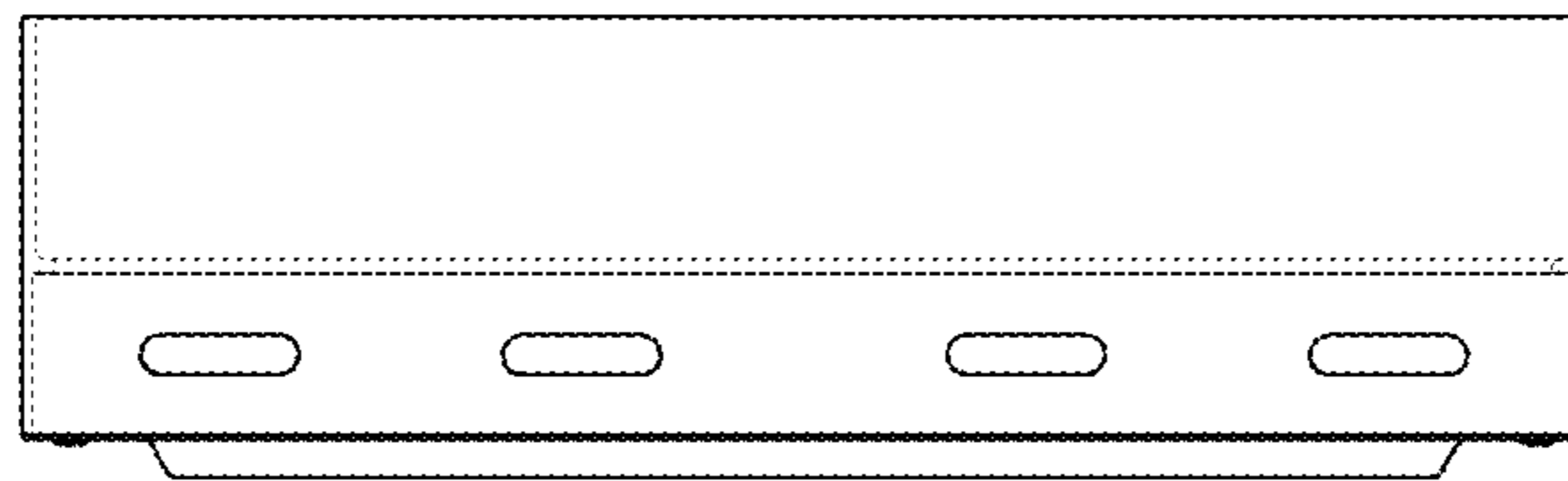
| | | | | | | |
|----------|---|---|---------|--------------|-------|-------|
| D683,504 | S | * | 5/2013 | Clores | | D32/3 |
| D688,426 | S | * | 8/2013 | Clores | | D32/3 |
| D725,325 | S | * | 3/2015 | Lee | | D32/3 |
| D725,851 | S | * | 3/2015 | Lee | | D32/3 |
| D752,299 | S | * | 3/2016 | Clores | | D32/3 |
| D762,019 | S | * | 7/2016 | Ferencevich | | D32/3 |
| D773,751 | S | * | 12/2016 | Hederstierna | | D32/3 |
| D827,223 | S | * | 8/2018 | Lee | | D32/3 |
| D833,691 | S | * | 11/2018 | Chavez | | D32/3 |
| D838,062 | S | * | 1/2019 | Lee | | D32/3 |
| D850,031 | S | * | 5/2019 | Han | | D32/3 |
| D858,007 | S | * | 8/2019 | Chavez | | D32/3 |
| D897,615 | S | * | 9/2020 | Nam | | D32/3 |

* cited by examiner

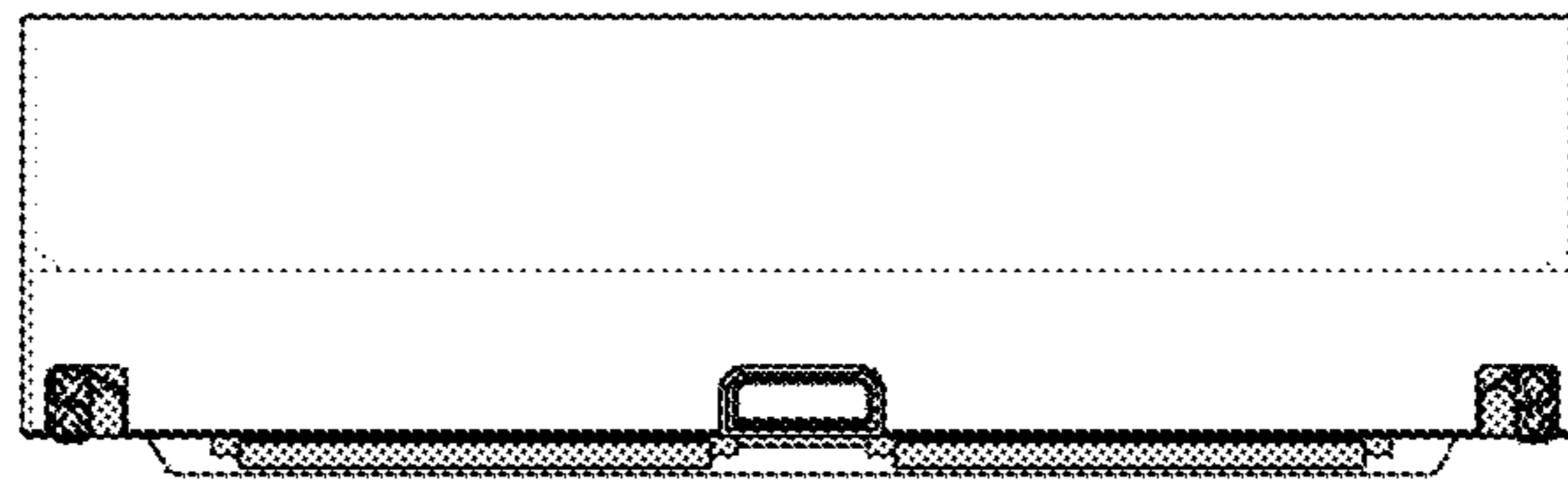
1.1



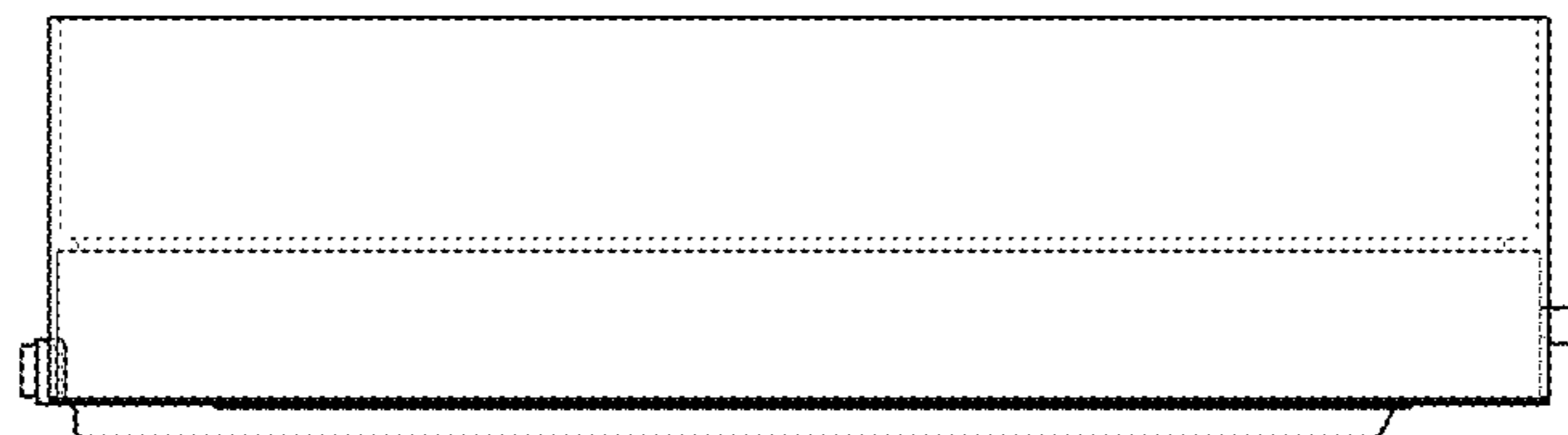
1.2



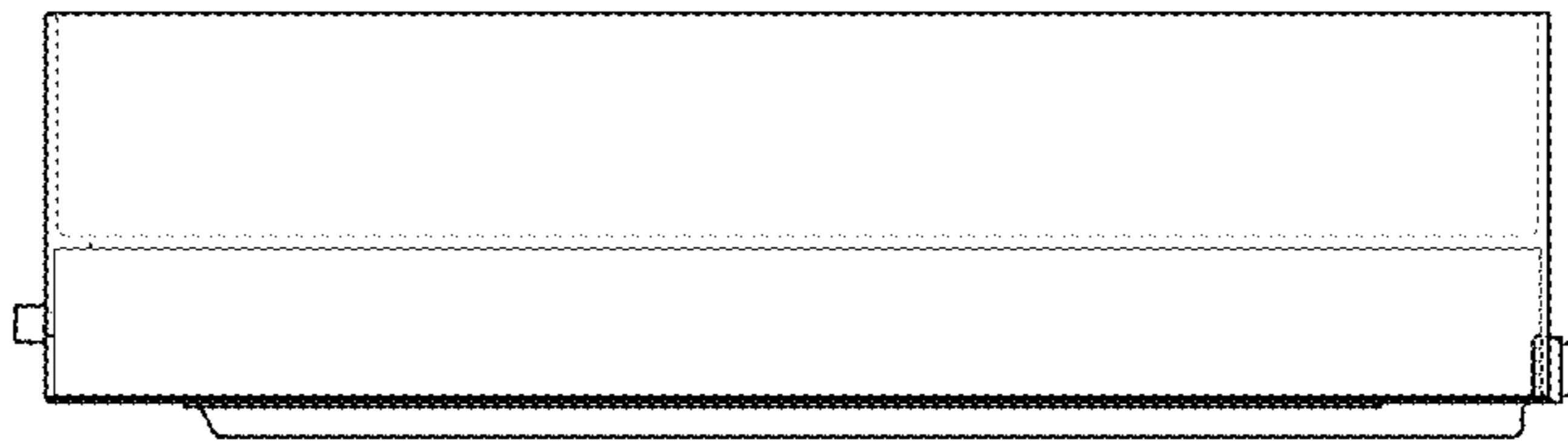
1.3



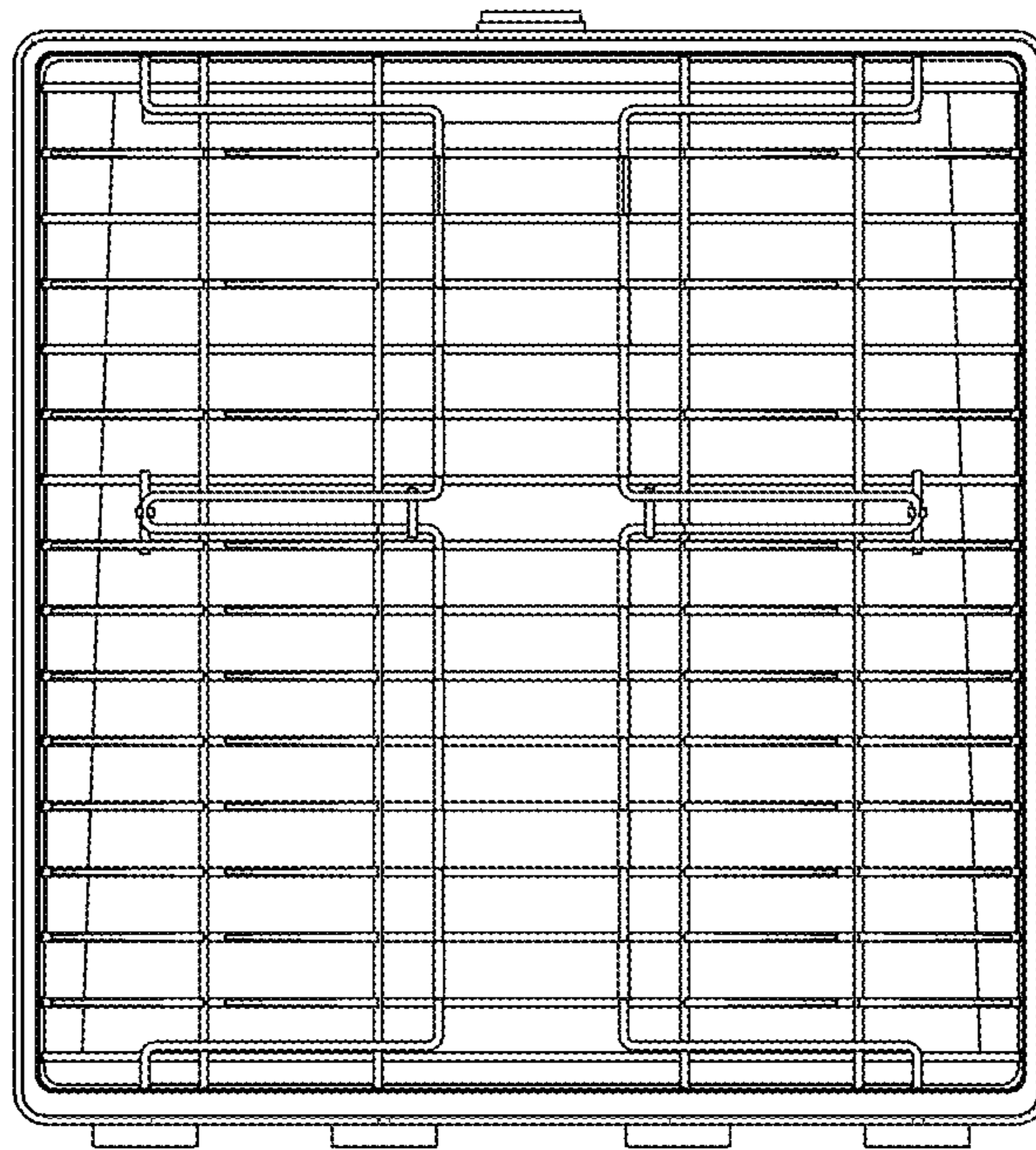
1.4



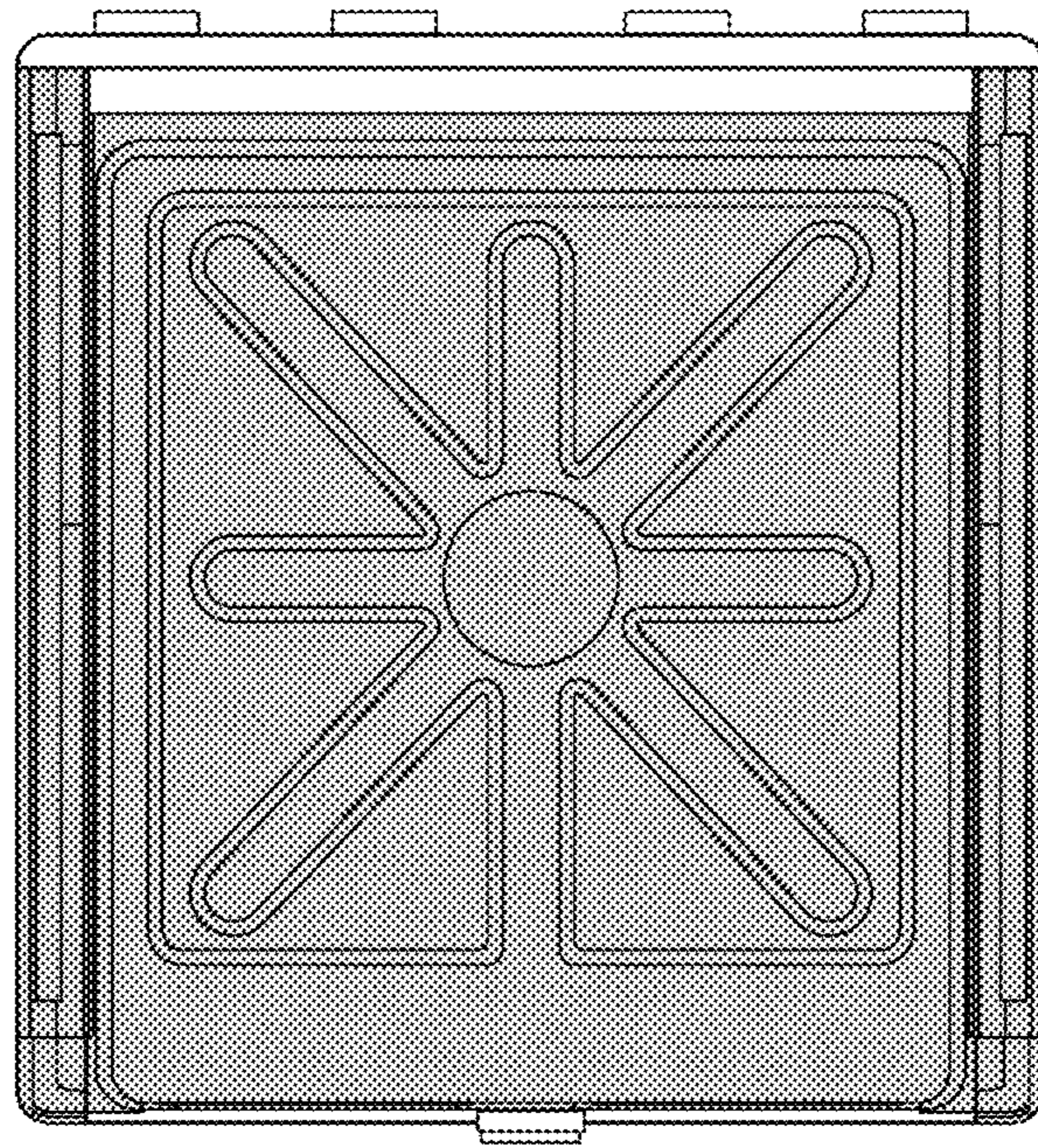
1.5



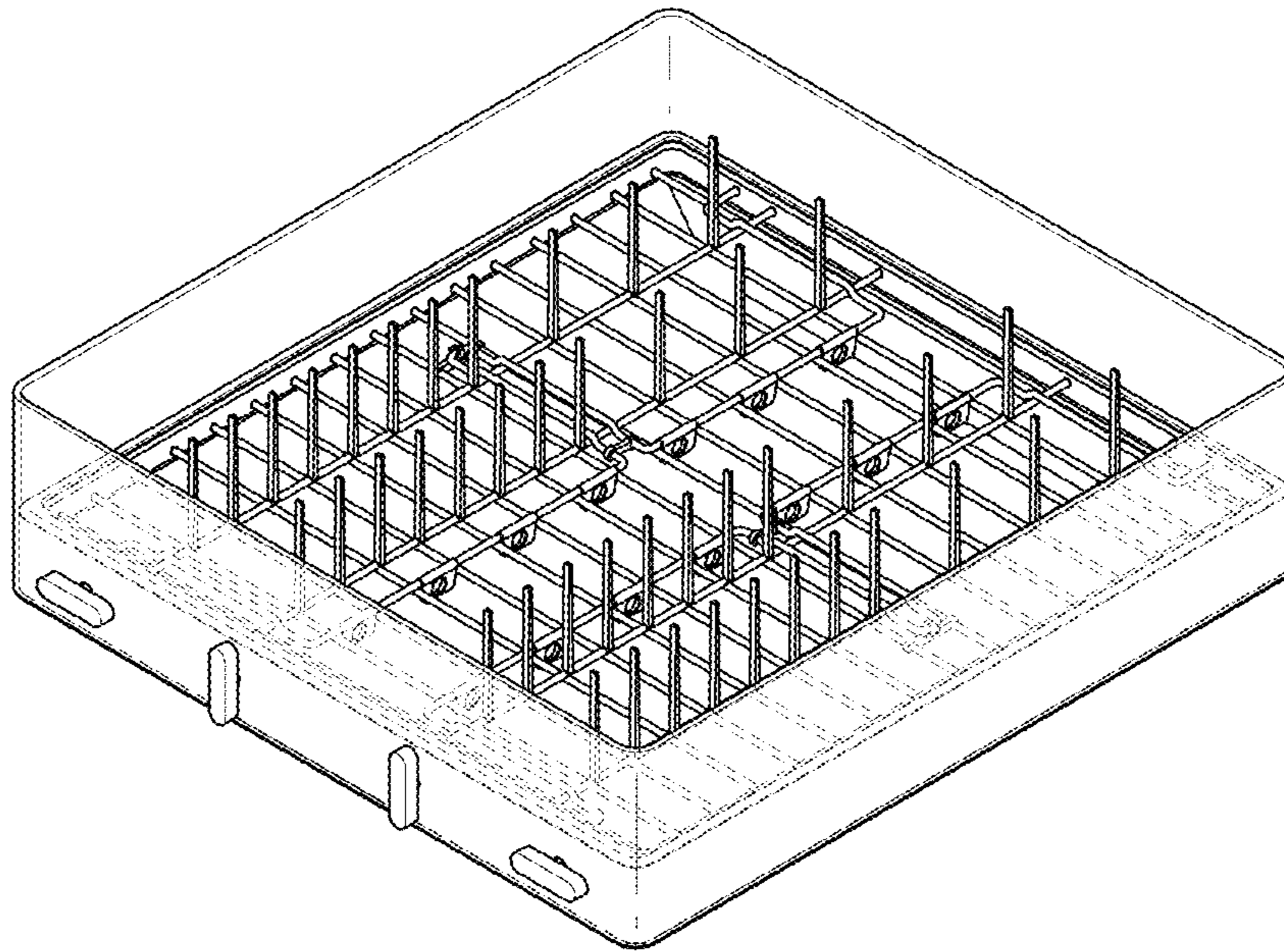
1.6



1.7



1.8



1.9

