



US00D927561S

(12) **United States Design Patent** (10) **Patent No.:** **US D927,561 S**
Bjerke et al. (45) **Date of Patent:** **** Aug. 10, 2021**

(54) **BUCKET SHROUD**
(71) Applicant: **Caterpillar Inc.**, Peoria, IL (US)
(72) Inventors: **Nathan Bjerke**, Peoria, IL (US);
Thomas Marshall Congdon, Dunlap,
IL (US)

4,980,980 A 1/1991 Schadov et al.
5,016,365 A 5/1991 Robinson
5,088,214 A 2/1992 Jones
D329,243 S 9/1992 Robinson
D336,476 S 6/1993 Garman
(Continued)

(73) Assignee: **Caterpillar Inc.**, Peoria, IL (US)
(**) Term: **15 Years**

FOREIGN PATENT DOCUMENTS
AU 139678 7/1999
AU 143089 7/2000
(Continued)

(21) Appl. No.: **29/708,298**

(22) Filed: **Oct. 4, 2019**

(51) **LOC (13) Cl.** **15-03**

(52) **U.S. Cl.**
USPC **D15/29**; D15/28

(58) **Field of Classification Search**
USPC D15/11, 28, 29, 32; D32/53, 53.1, 54
CPC A01B 15/02; E02F 9/28; E02F 9/2825;
E02F 9/2833; E02F 9/2858; E02F 9/2808;
E02F 9/2841; E02F 3/36; E02F 9/285;
E02F 3/8152; E02F 3/40
See application file for complete search history.

OTHER PUBLICATIONS
CAT Shroud <https://parts.cat.com/en/catcorp/339-0310> (Year: 2021).*
(Continued)

Primary Examiner — Michelle E. Wilson
Assistant Examiner — Richard E Yenchesky
(74) *Attorney, Agent, or Firm* — Saidman Design Law
Group

(57) **CLAIM**
The ornamental design for a bucket shroud, as shown and
described.

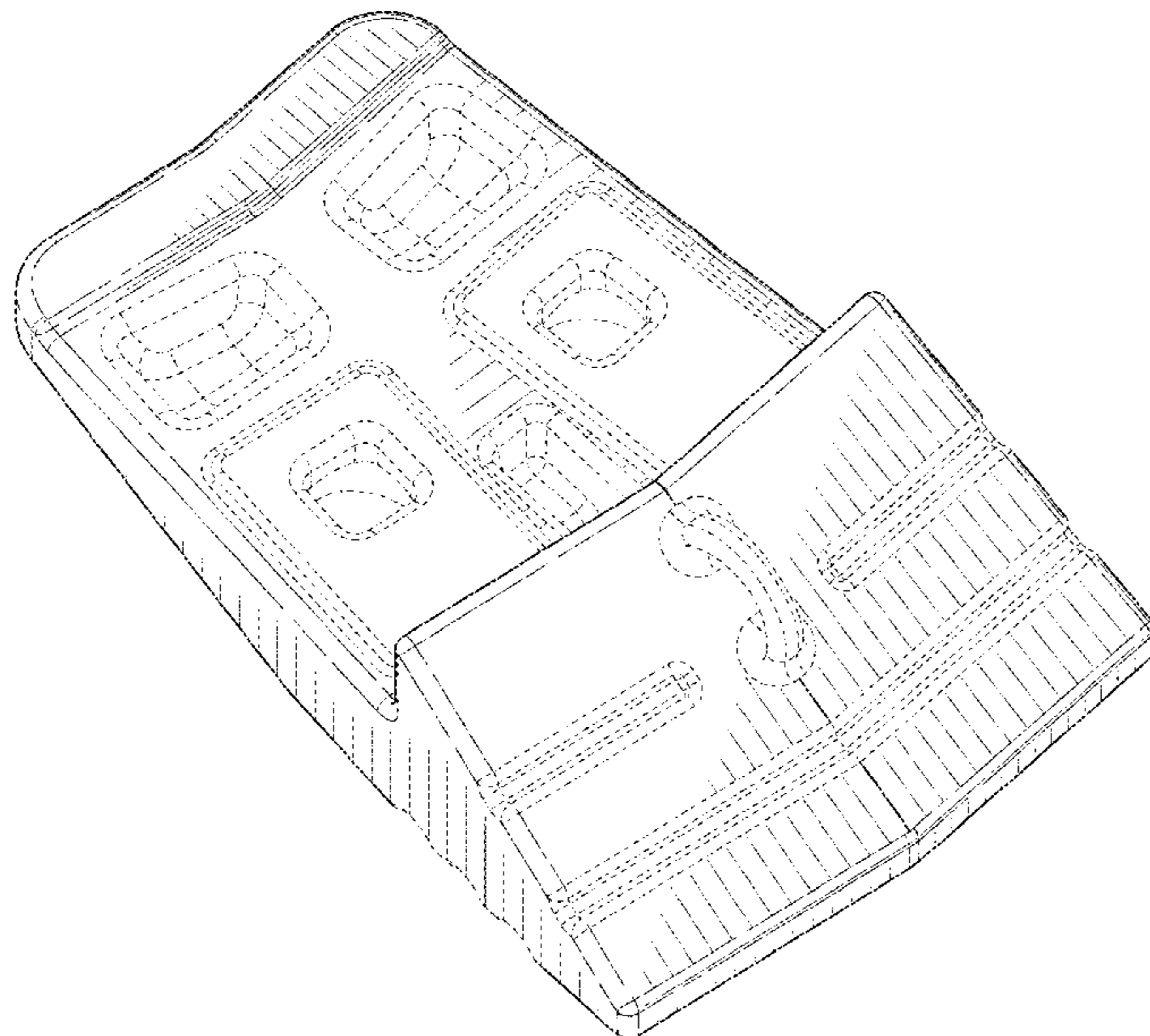
(56) **References Cited**
U.S. PATENT DOCUMENTS

1,959,847 A	5/1934	Buskirk
2,256,488 A	9/1941	Murtaugh
3,079,710 A	3/1963	Larsen et al.
3,653,133 A	4/1972	Black et al.
3,664,044 A	5/1972	Hahn
D228,936 S	10/1973	Dahlberg et al.
D241,264 S	8/1976	Dahlberg et al.
D242,274 S	11/1976	Dahlberg et al.
D245,780 S	9/1977	Dahlberg et al.
4,047,312 A	9/1977	Stepe
D251,431 S	3/1979	Klett et al.
4,231,173 A	11/1980	Davis
D284,010 S	5/1986	Voyce

DESCRIPTION

FIG. 1 is a perspective view of a bucket shroud showing our
new design;
FIG. 2 is a front view thereof;
FIG. 3 is a rear view thereof;
FIG. 4 is a left side view thereof;
FIG. 5 is a right side view thereof;
FIG. 6 is a top view thereof; and,
FIG. 7 is a bottom view thereof.
The broken lines illustrate structure or features which form
no part of the claimed design.
The drawings include surface shading which represents
contour and not surface ornamentation.

1 Claim, 5 Drawing Sheets



(56)

References Cited

U.S. PATENT DOCUMENTS

2014/0082976 A1* 3/2014 Vicq E02F 9/2883
 37/453
 2014/0082977 A1* 3/2014 Pilon E02F 3/40
 37/453
 2014/0173949 A1* 6/2014 Karlsson E02F 9/2833
 37/455
 2015/0211215 A1* 7/2015 Dallard E02F 9/2858
 37/448
 2015/0247306 A1* 9/2015 Kunz E02F 9/2883
 37/455
 2016/0356024 A1* 12/2016 Gandy E02F 9/2833
 2017/0073938 A1* 3/2017 Bjerke E02F 9/2841
 2018/0363274 A1* 12/2018 Kunz E02F 9/2858
 2018/0363275 A1* 12/2018 Kunz E02F 9/2833

FOREIGN PATENT DOCUMENTS

CL 199502068 10/1996
 CL 199800391 11/1998
 CL 199901193 10/1999
 CL 199900223 11/1999
 CL 199901457 12/1999
 CL 199901583 6/2000
 CL 200501785 7/2005
 CL 200503115 9/2006
 CL 200503116 9/2006
 CL 200800173 8/2008
 CL 200800174 8/2008
 CL 200802524 1/2009
 CL 200801735 5/2009
 CL 200801764 7/2009
 CL 200602263 8/2010
 CL 201000618 11/2010
 CL 201000739 12/2010
 CL 201200732 3/2012

CL 201200733 3/2012
 CL 201200291 11/2012
 CL 201302335 8/2013
 CL 201400896 8/2014
 CL 201503078 4/2016
 CL 201700123 5/2017
 CL 201700124 5/2017
 CL 201701496 3/2018
 CL 201701497 3/2018
 CL 201701498 3/2018
 CL 201701499 3/2018
 CL 201800157 7/2018
 CL 201800175 8/2018
 CL 201900854 6/2019
 CL 201900855 6/2019
 CL 201900856 6/2019
 CL 201901234 7/2019
 EM 006367660-0001 4/2019
 EM 006367702-0001 4/2019
 EM 006434288-0001 5/2019
 WO WO 2007/016719 A1 2/2007

OTHER PUBLICATIONS

CAT Shroud <https://parts.cat.com/en/catcorp/edge-protection-shrouds/128-5927> (Year: 2021).
 U.S. Appl. No. 62/148,992, filed Apr. 17, 2015. (Unpublished).
 U.S. Appl. No. 62/149,077, filed Apr. 17, 2015. (Unpublished).
 U.S. Appl. No. 62/149,161, filed Apr. 17, 2015. (Unpublished).
 U.S. Appl. No. 62/149,229, filed Apr. 17, 2015. (Unpublished).
 U.S. Appl. No. 29/663,270, filed Sep. 13, 2018. (Unpublished).
 U.S. Appl. No. 29/665,446, filed Oct. 3, 2018. (Unpublished).
 U.S. Appl. No. 29/665,450, filed Oct. 3, 2018. (Unpublished).
 U.S. Appl. No. 29/669,677, filed Nov. 9, 2018. (Unpublished).
 U.S. Appl. No. 29/672,115, filed Dec. 3, 2018. (Unpublished).
 U.S. Appl. No. 29/708,299, filed Oct. 4, 2019. (Unpublished).
 U.S. Appl. No. 29/708,296, filed Oct. 4, 2019. (Unpublished).

* cited by examiner

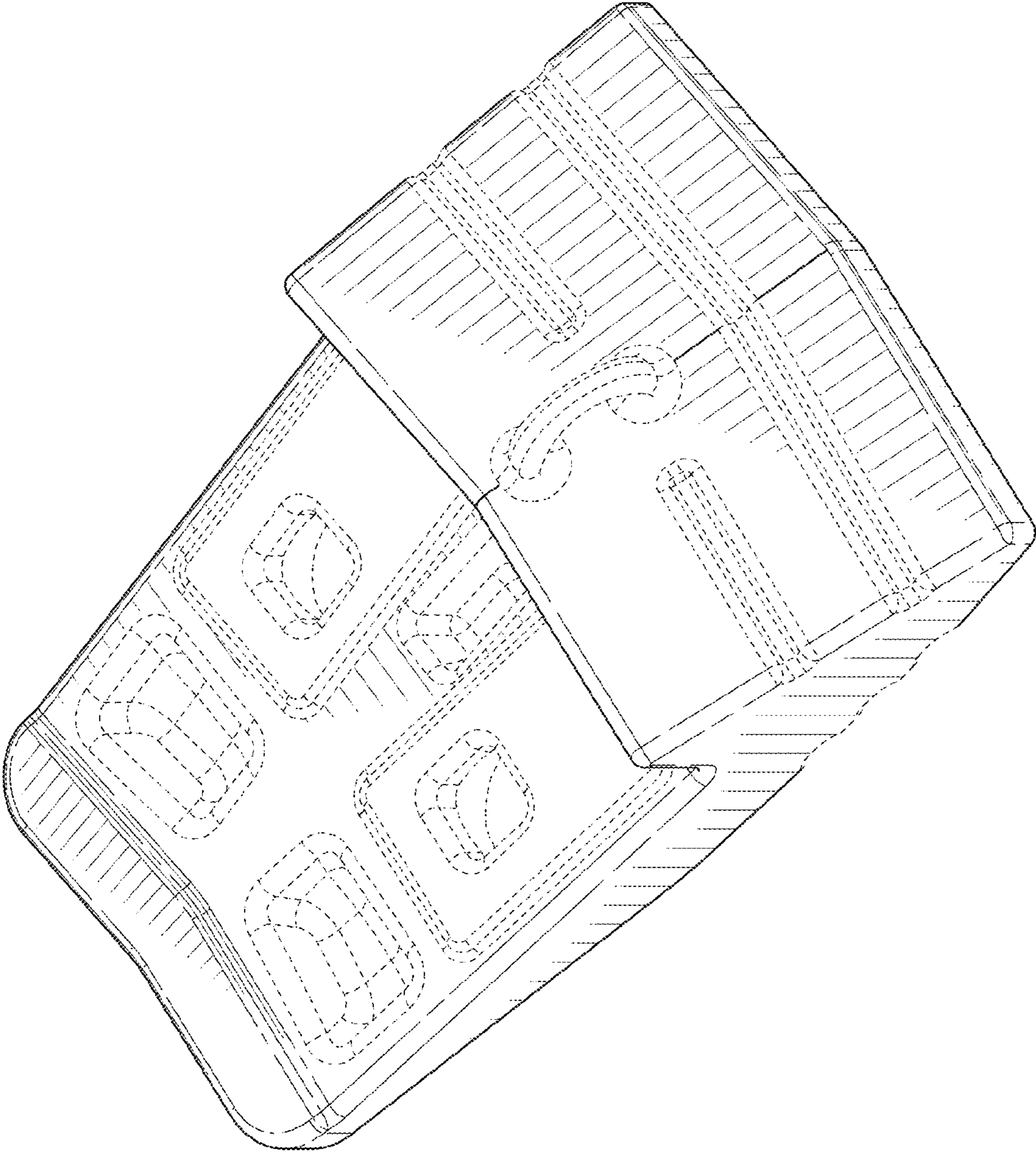


FIG. 1

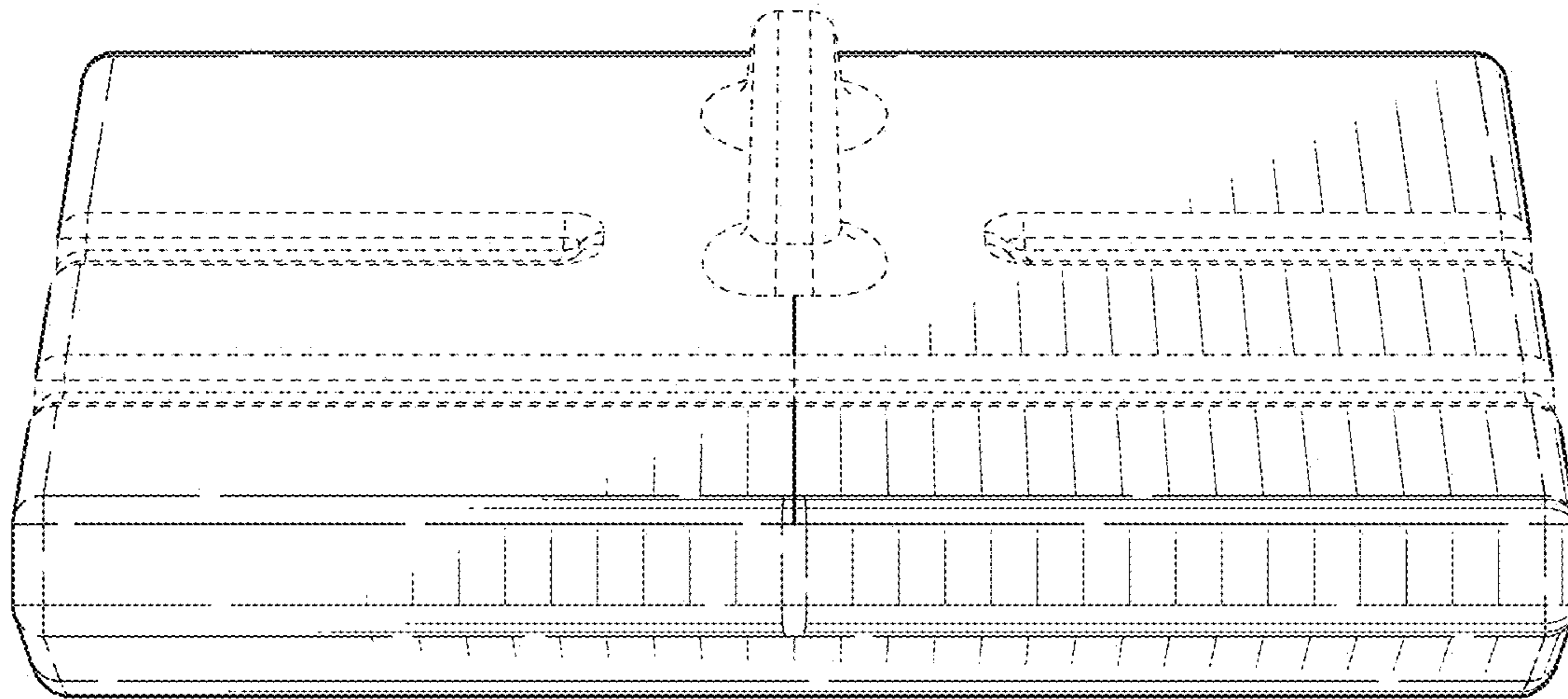


FIG. 2

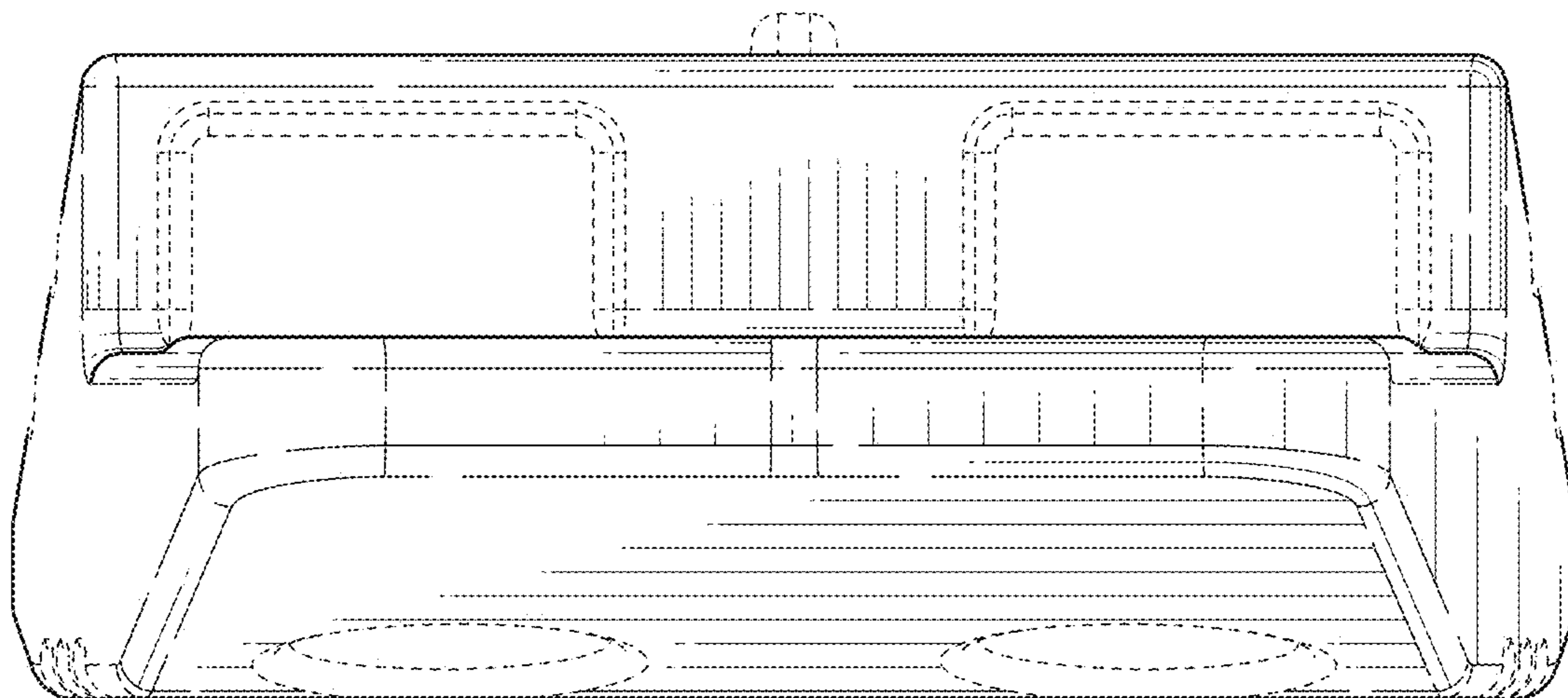


FIG. 3

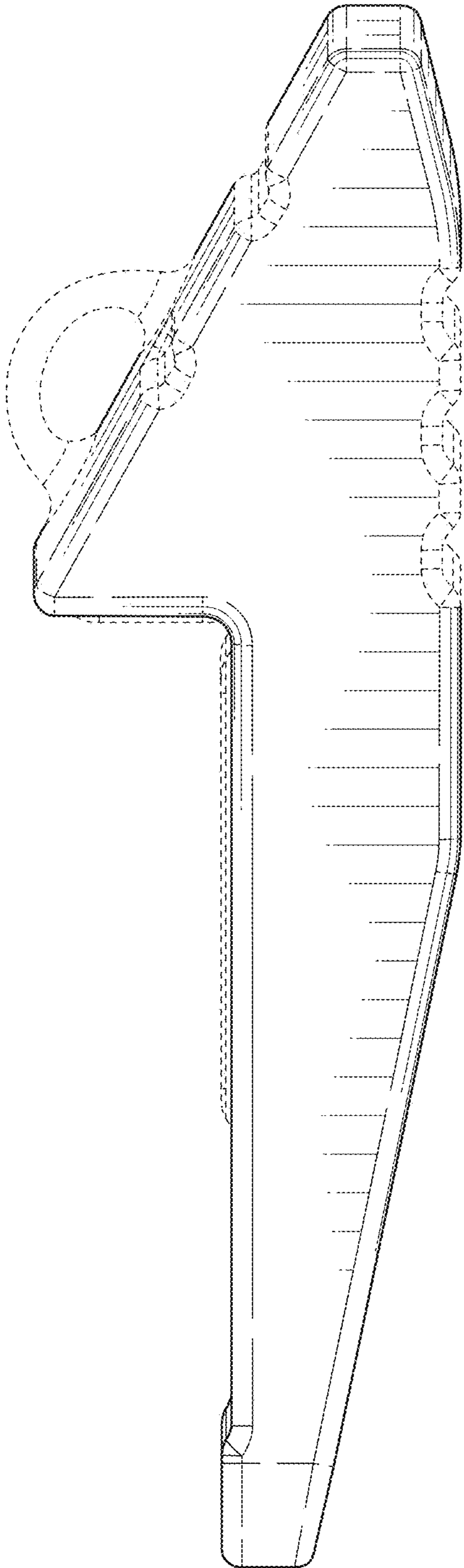


FIG. 4

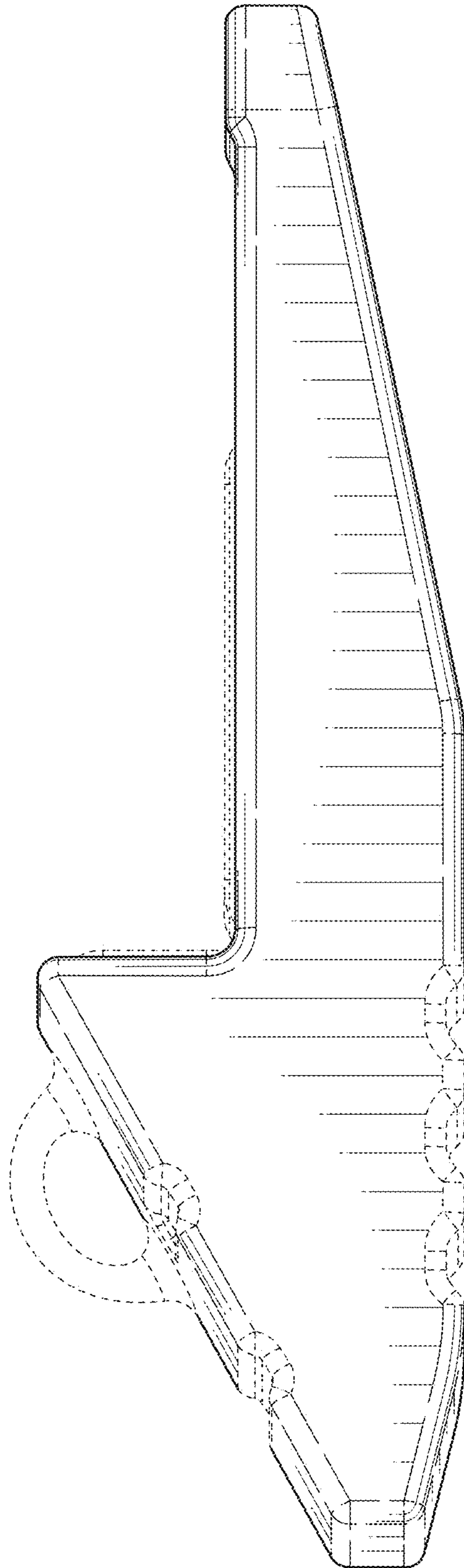


FIG. 5

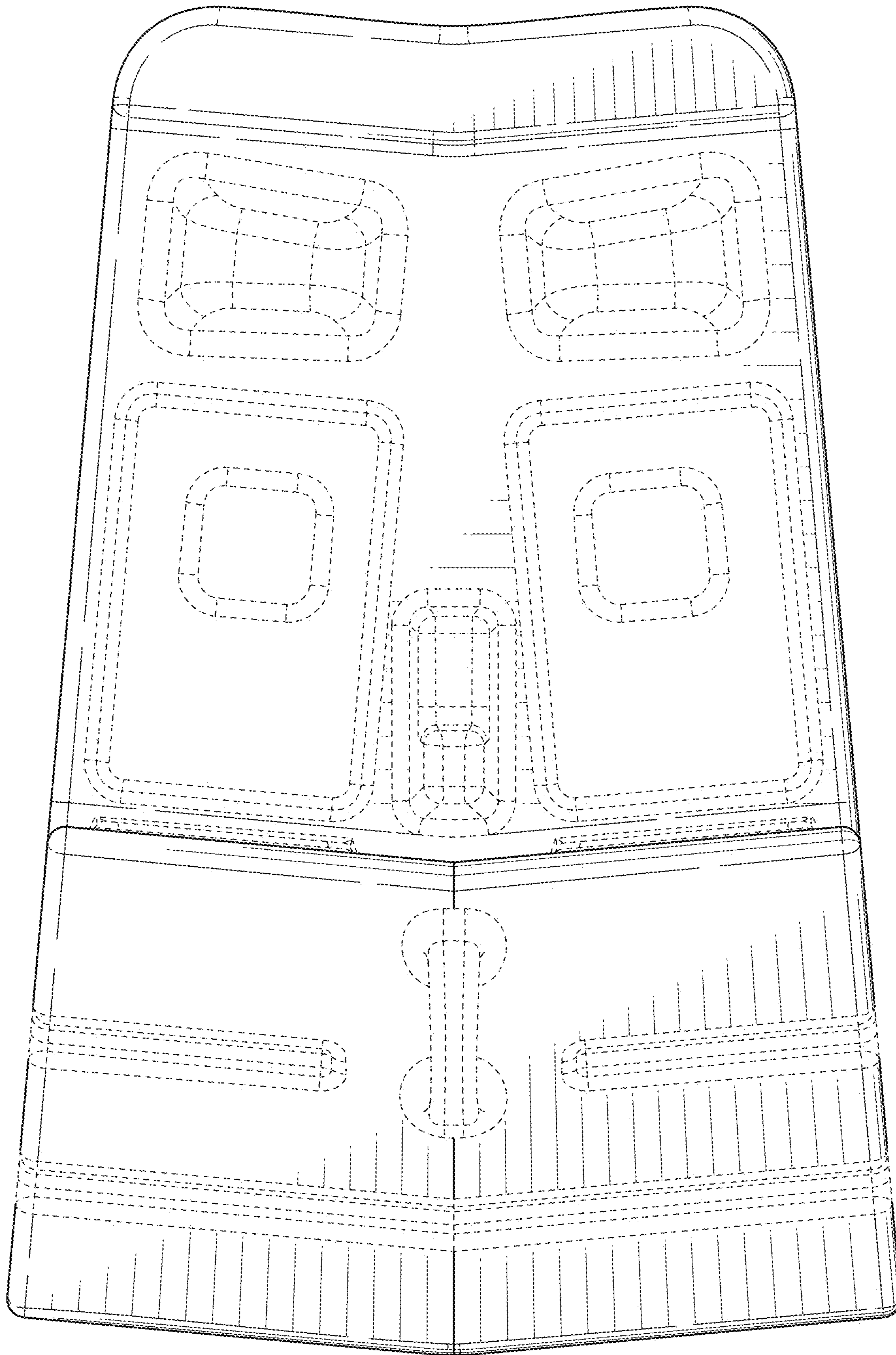


FIG. 6

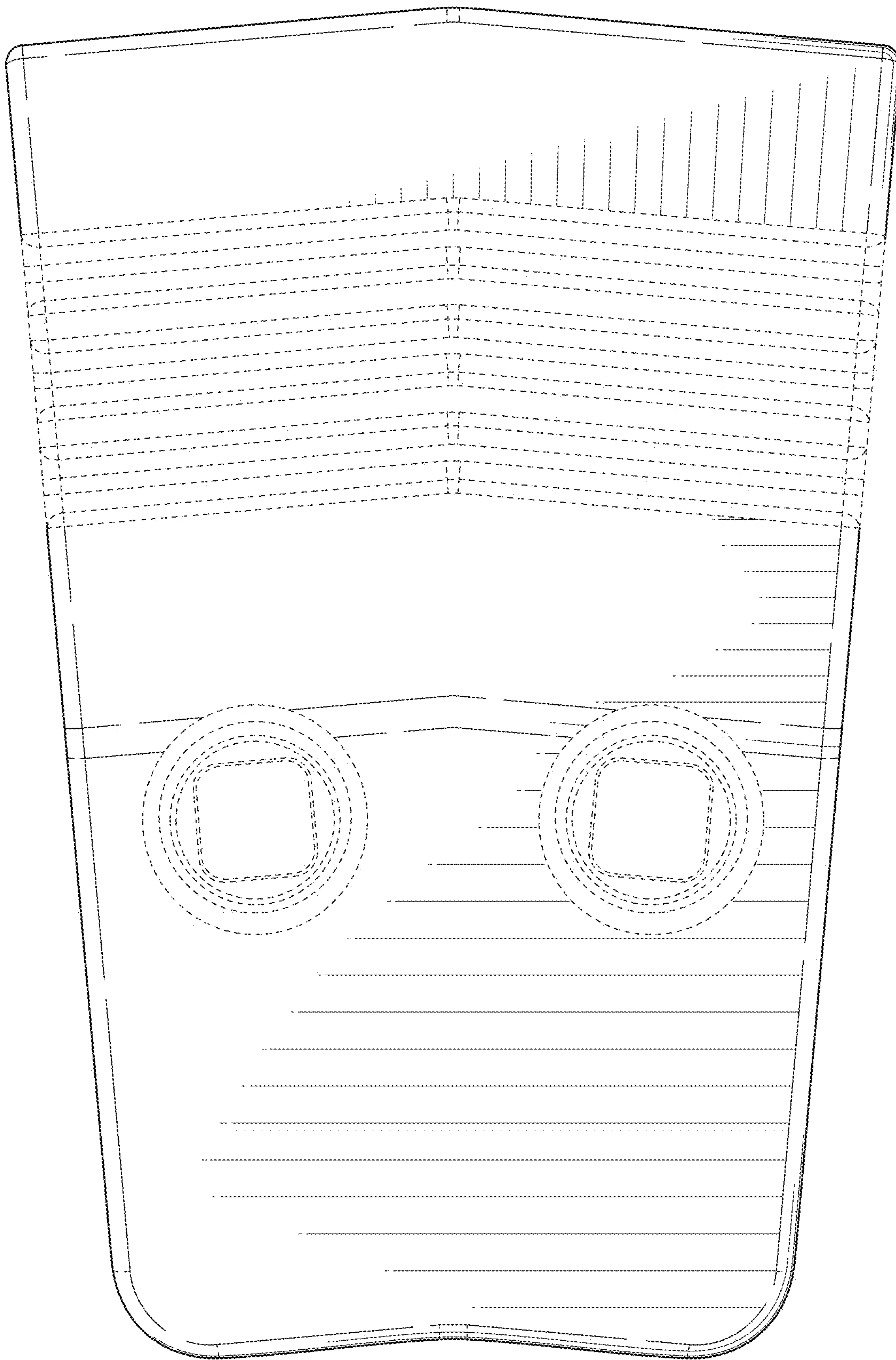


FIG. 7