



US00D927560S

(12) **United States Design Patent**
Le Clec'h

(10) **Patent No.:** **US D927,560 S**

(45) **Date of Patent:** **** Aug. 10, 2021**

(54) **C-TINE**
(71) Applicant: **Kverneland Group Les Landes**
Génusson S.A.S., Les Landes Génusson
(FR)
(72) Inventor: **Ronan Le Clec'h**, Saint Lumine de
Clisson (FR)
(73) Assignee: **KVERNELAND GROUP LES**
LANDES GÉNUSSON S.A.S., Les
Landes Génusson (FR)

4,185,699 A * 1/1980 Lewison A01B 35/20
172/705
D262,028 S * 11/1981 Johnson D15/29
4,530,406 A * 7/1985 Hake A01B 61/046
172/705
5,562,054 A * 10/1996 Ryan A01C 7/203
111/134
6,564,728 B2 * 5/2003 Ryan A01B 61/046
111/123
7,588,091 B1 * 9/2009 Neudorf A01C 5/062
172/773
8,596,374 B2 * 12/2013 Kile A01B 61/046
172/389
8,684,103 B2 * 4/2014 Henry A01C 5/062
172/724
D753,193 S * 4/2016 Jasper D15/29
2018/0116092 A1 * 5/2018 Seifried A01B 49/06
2018/0317370 A1 * 11/2018 Kovach A01B 15/20

(**) Term: **15 Years**

(21) Appl. No.: **29/641,182**

(22) Filed: **Mar. 20, 2018**

(30) **Foreign Application Priority Data**

Sep. 21, 2017 (EM) 004366722-0021
Sep. 21, 2017 (EM) 004366722-0022

(51) **LOC (13) Cl.** **15-03**
(52) **U.S. Cl.**
USPC **D15/28**

(58) **Field of Classification Search**
USPC D15/27, 28, 29
CPC .. A01C 5/062; A01C 5/06; A01C 5/00; A01B
35/20; A01B 35/24
See application file for complete search history.

(56) **References Cited**

U.S. PATENT DOCUMENTS

2,227,670 A * 1/1941 Peterson A01B 15/025
172/699
3,108,643 A * 10/1963 Williams A01B 35/24
172/265
3,762,483 A * 10/1973 Meiners A01B 35/14
172/700

* cited by examiner

Primary Examiner — Mark A Goodwin

(74) *Attorney, Agent, or Firm* — Leason Ellis LLP

(57) **CLAIM**

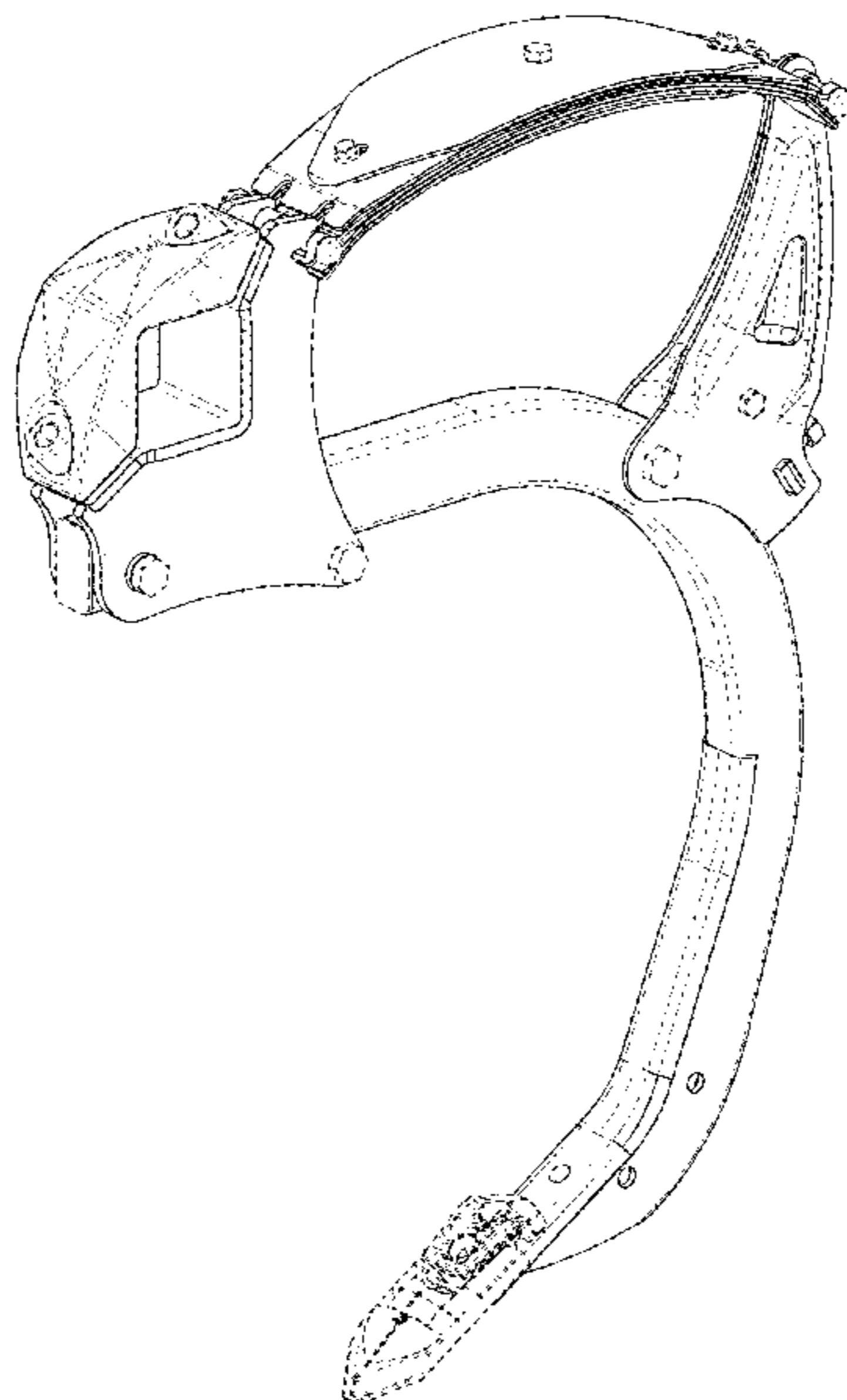
The ornamental design for a C-TINE, as shown and described.

DESCRIPTION

FIG. 1 is a top and side perspective view of a C-TINE showing my new design;
FIG. 2 is a front elevation view thereof;
FIG. 3 is a rear elevation view thereof;
FIG. 4 is a right side elevation view thereof;
FIG. 5 is a left side elevation view thereof;
FIG. 6 is a top plan view thereof; and,
FIG. 7 is a bottom plan view thereof.

The broken lines shown in FIGS. 1-7 are for illustrative purposes only and form no part of the claimed design.
The C-TINE is of a type that is suitable for use with a cultivator.

1 Claim, 7 Drawing Sheets



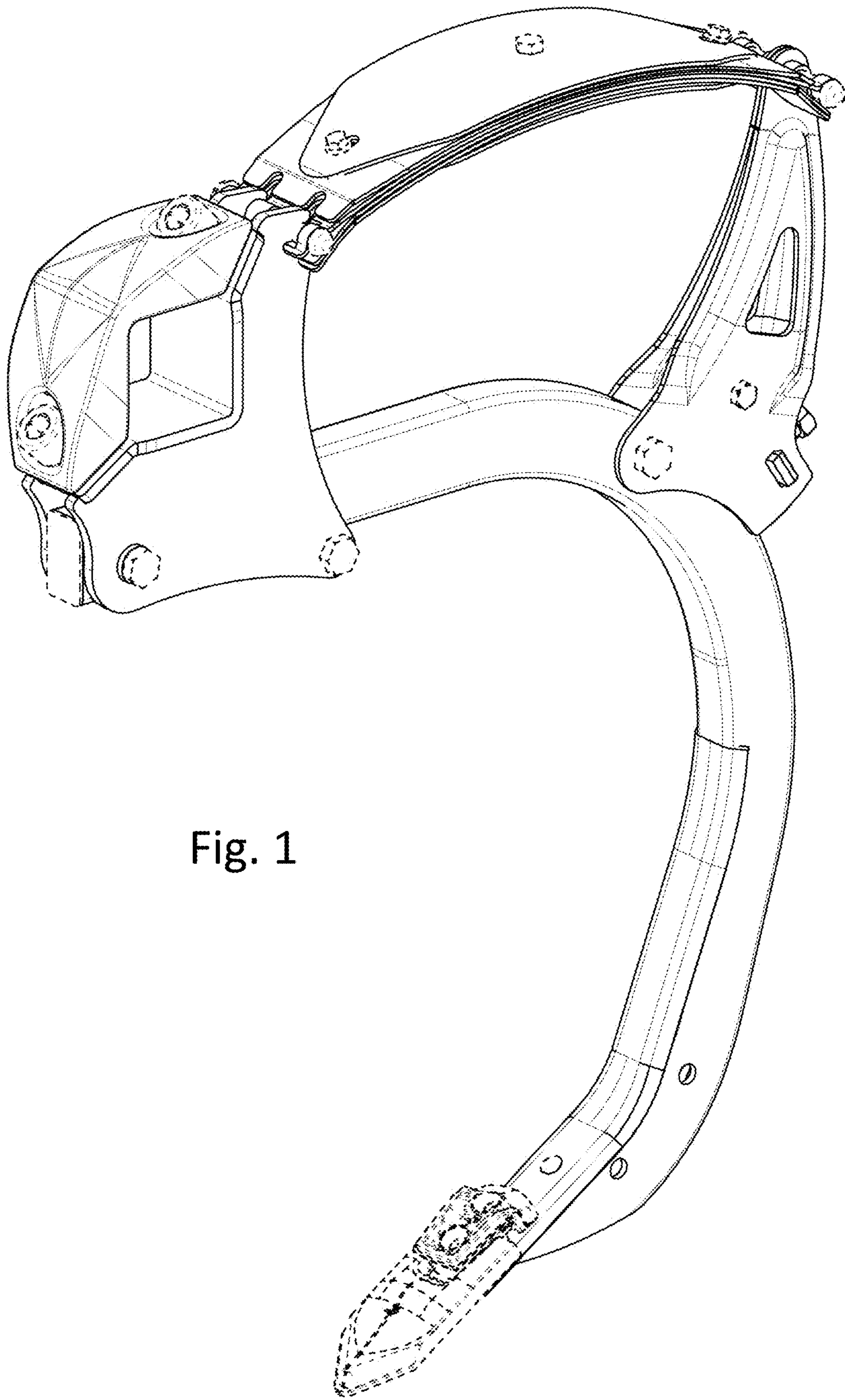


Fig. 1

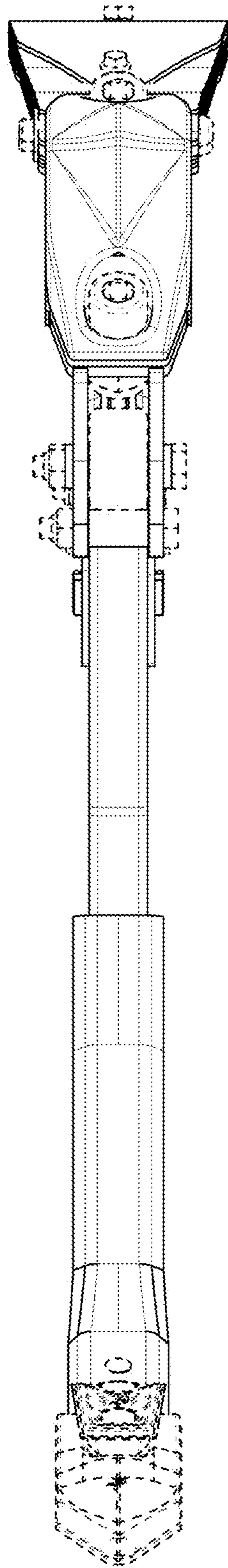


Fig. 2

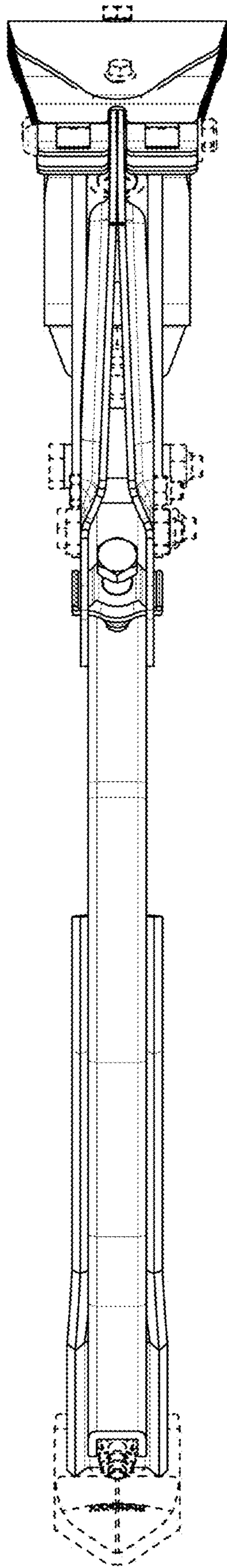


Fig. 3

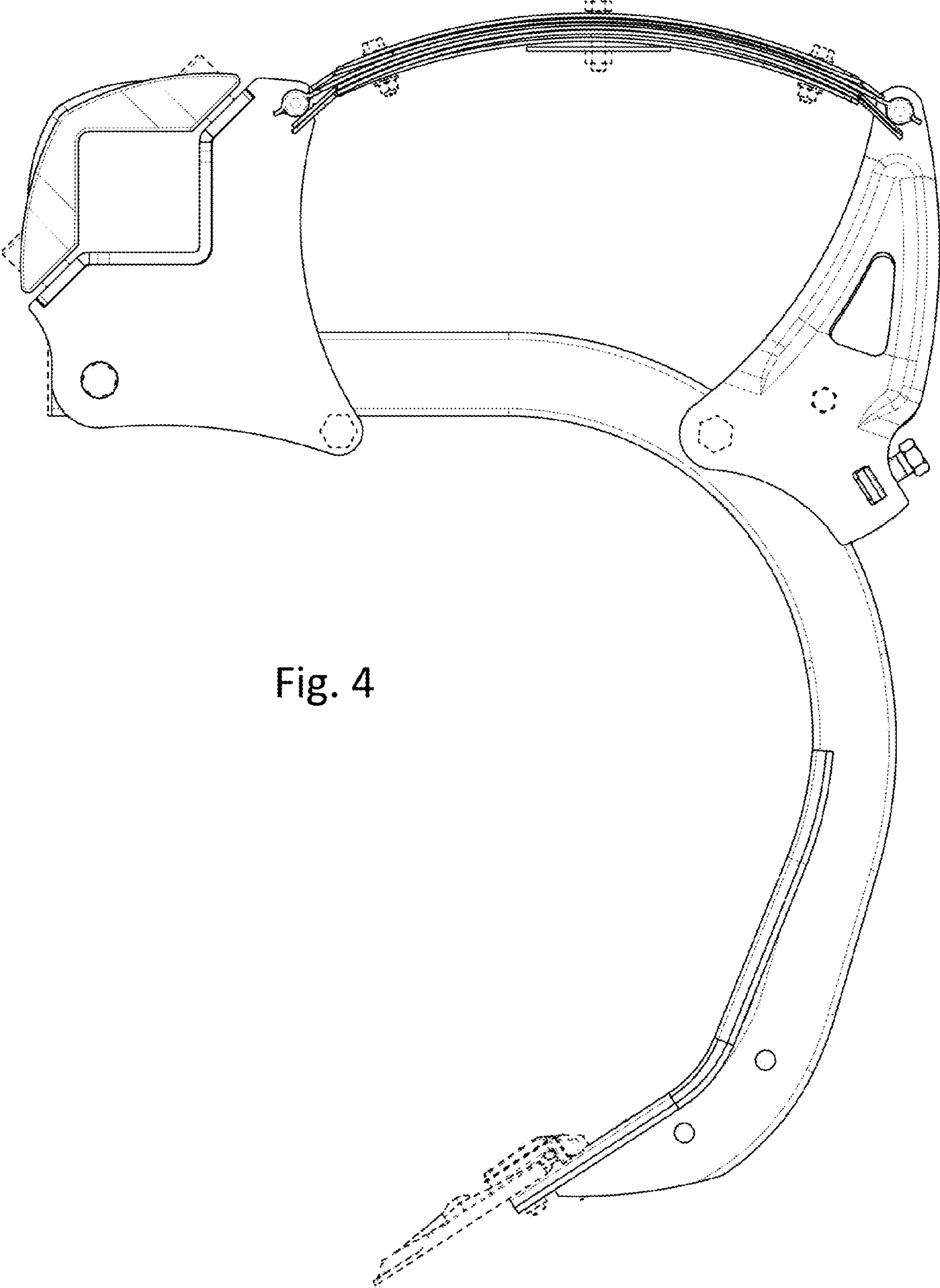


Fig. 4

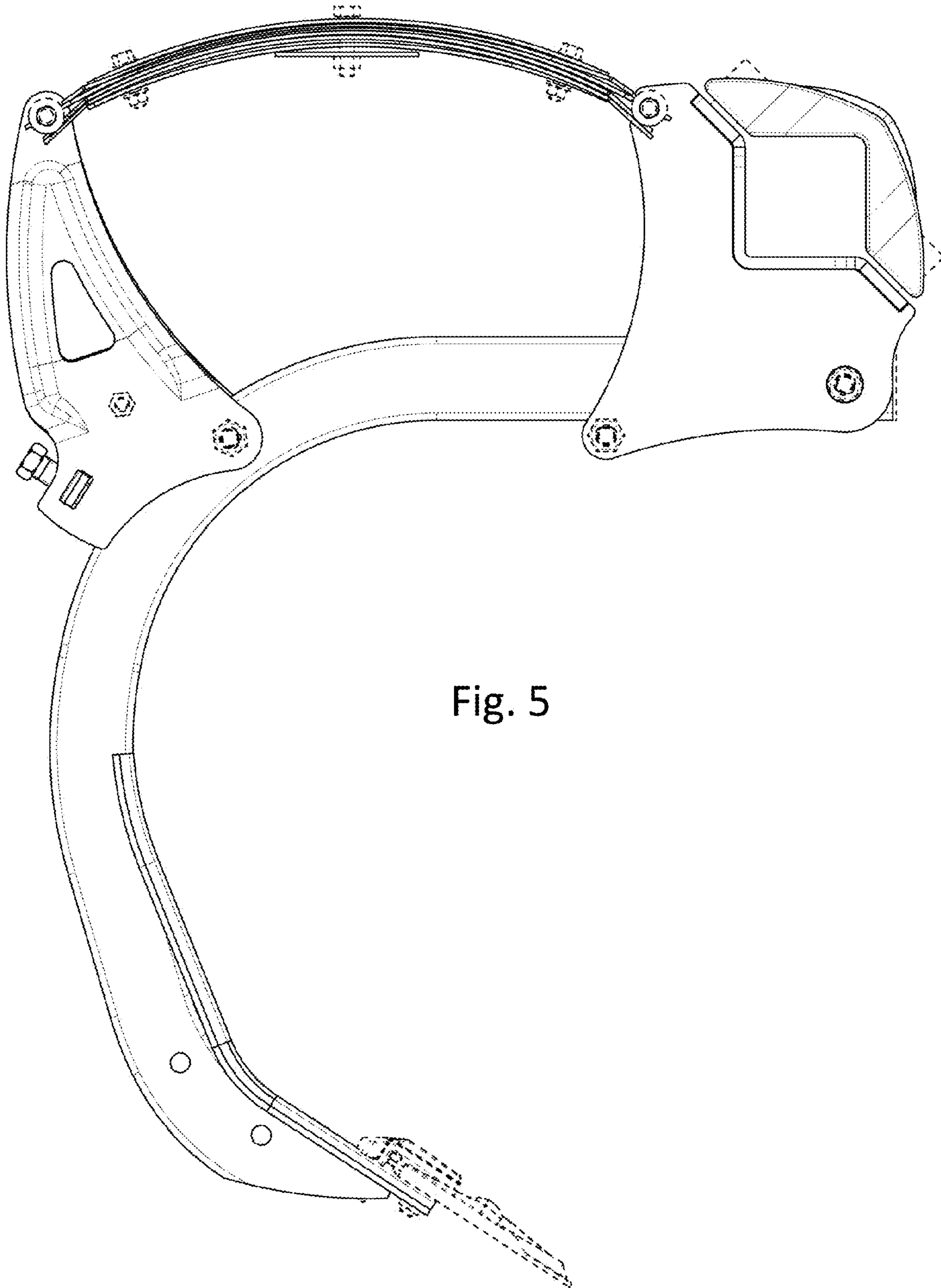


Fig. 5

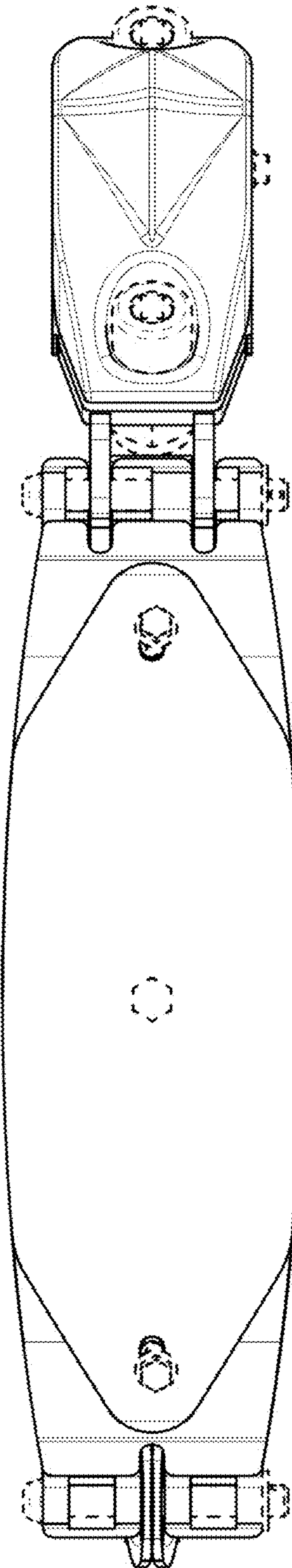


Fig. 6

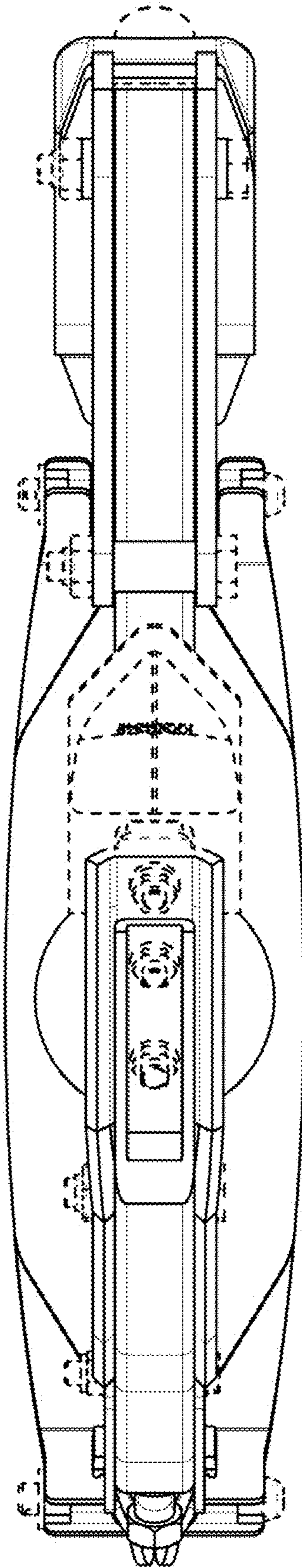


Fig. 7