



US00D927559S

(12) **United States Design Patent** (10) **Patent No.:** **US D927,559 S**
Shinde et al. (45) **Date of Patent:** **** Aug. 10, 2021**

(54) **REDUCED TAIL SWING EXCAVATOR**
(71) Applicant: **Deere & Company**, Moline, IL (US)
(72) Inventors: **Neha Shinde**, Pune (IN); **Richard Pugh**, Dubuque, IA (US); **Shreyas Chouthai**, Pune (IN); **Manish M. Kute**, Dubuque, IA (US); **Cory Glander**, Dubuque, IA (US)
(73) Assignee: **DEERE & COMPANY**, Moline, IL (US)

D684,599 S * 6/2013 Saito D15/24
D692,924 S * 11/2013 Hatanaka D15/24
D695,791 S * 12/2013 Hagura D15/25
D707,261 S * 6/2014 Caboret D15/24
D711,927 S * 8/2014 Yoshita D15/24
D716,845 S * 11/2014 Hayami D15/25
D725,680 S * 3/2015 Mishio D15/24
D750,672 S * 3/2016 Payne D15/25
D752,112 S * 3/2016 Hagura D15/24
D830,422 S * 10/2018 Colclough D15/24
D854,054 S * 7/2019 Hirasawa D15/22
D855,082 S * 7/2019 Okuyama D15/25
D866,614 S * 11/2019 Jilbert D15/22
D875,143 S * 2/2020 Hagura D15/24
D895,687 S * 9/2020 Phadatare D15/22
D896,284 S * 9/2020 Phadatare D15/22

(**) Term: **15 Years**

(21) Appl. No.: **29/652,123**

(22) Filed: **May 15, 2020**

(51) **LOC (13) Cl.** **12-09**

(52) **U.S. Cl.**
USPC **D15/24**

(58) **Field of Classification Search**
USPC D15/10, 22-26, 28, 30; 180/89.1, 89.12, 180/89.13, 900, 9.1, 9.2, 9.62; 37/379; 414/694, 699, 722-724, 660, 685, 698, 414/719, 743
CPC E02F 3/32; E02F 3/76; E02F 3/40; E02F 3/325; E02F 3/352; E02F 3/384; E02F 3/425; E02F 3/437; E02F 3/627; E02F 3/964; E02F 9/163; E02F 9/0858; E02F 9/0875; E02F 9/2045; E02F 9/006; E02F 9/0808; E02F 9/0833; E02F 9/2004; E02F 9/207; E02F 9/2091; E02F 9/2246; E02F 9/2292; E02F 9/0086; E02F 9/18; F01N 13/001; F01N 2590/08

See application file for complete search history.

(56) **References Cited**

U.S. PATENT DOCUMENTS

D590,847 S * 4/2009 Yonekura D15/25
D658,211 S * 4/2012 Hiraoka D15/25

(Continued)

FOREIGN PATENT DOCUMENTS

CN 303793411 S 8/2016
CN 304359428 S 11/2017
KR 3010011690000 4/2019

Primary Examiner — Mark A Goodwin

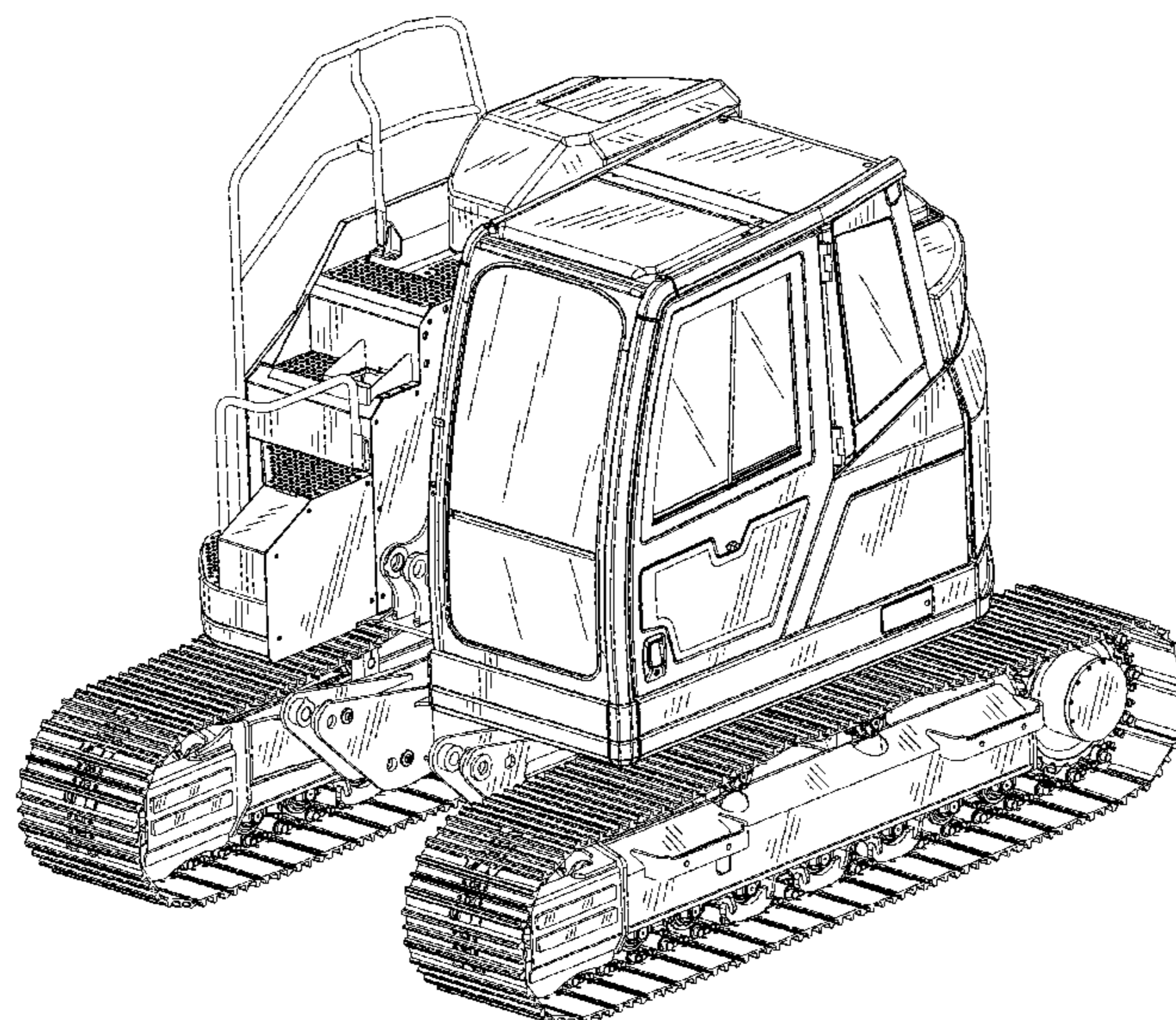
(57) **CLAIM**

The ornamental design for a reduced tail swing excavator, as shown and described.

DESCRIPTION

FIG. 1 is a perspective view of a reduced tail swing excavator showing our new design.
FIG. 2 is a left side view thereof.
FIG. 3 is a right side view thereof.
FIG. 4 is a front view thereof.
FIG. 5 is a rear view thereof.
FIG. 6 is a top view thereof; and,
FIG. 7 is a bottom view thereof.
The broken line representations of environmental structure in FIGS. 1-7 is for illustrative purposes only and forms no part of the claimed design.

1 Claim, 7 Drawing Sheets



(56)

References Cited

U.S. PATENT DOCUMENTS

D896,285 S	*	9/2020	Phadatare	D15/22
D905,762 S	*	12/2020	Phadatare	D15/22
D908,739 S	*	1/2021	Zong	D15/25

* cited by examiner

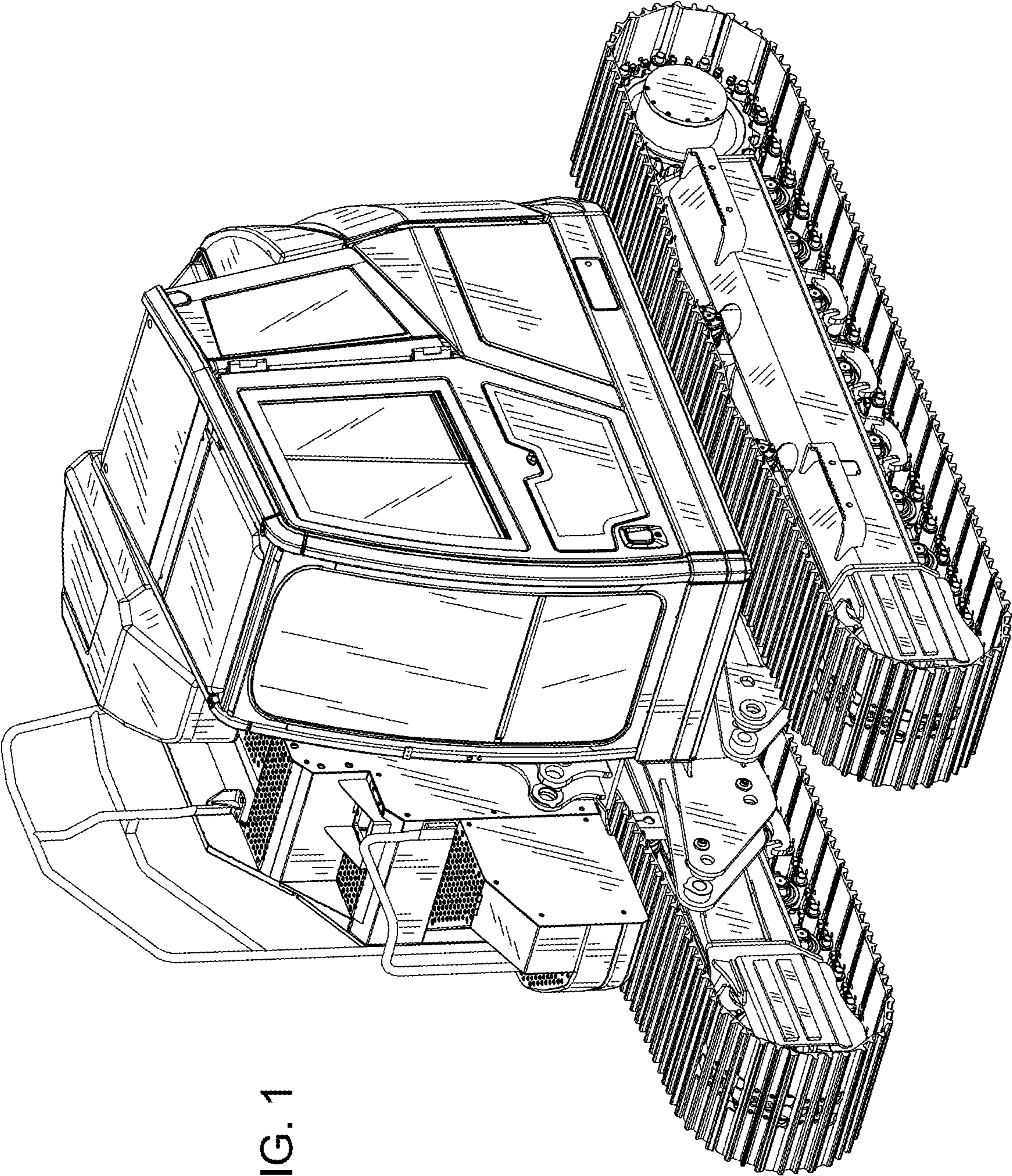


FIG. 1

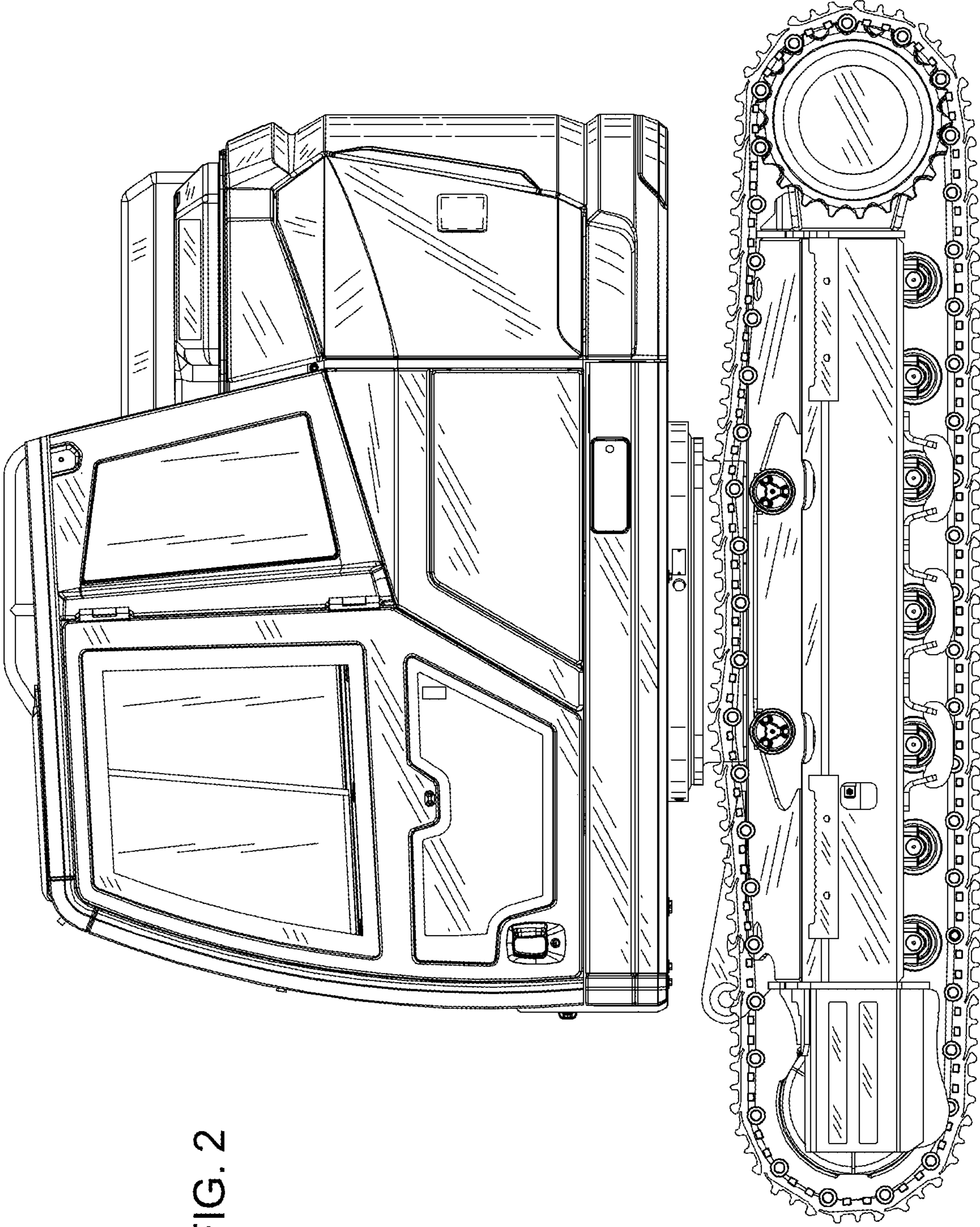


FIG. 2

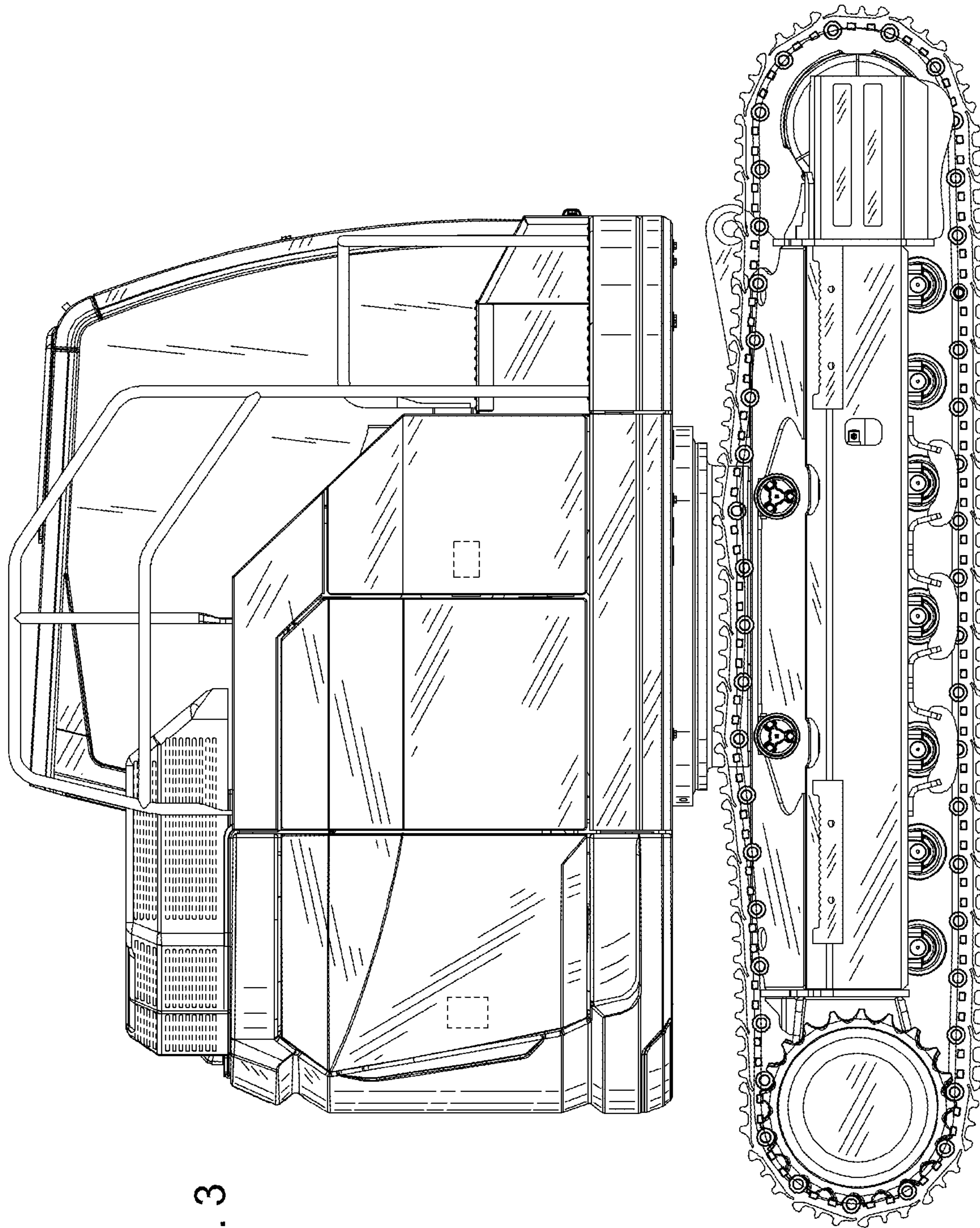


FIG. 3

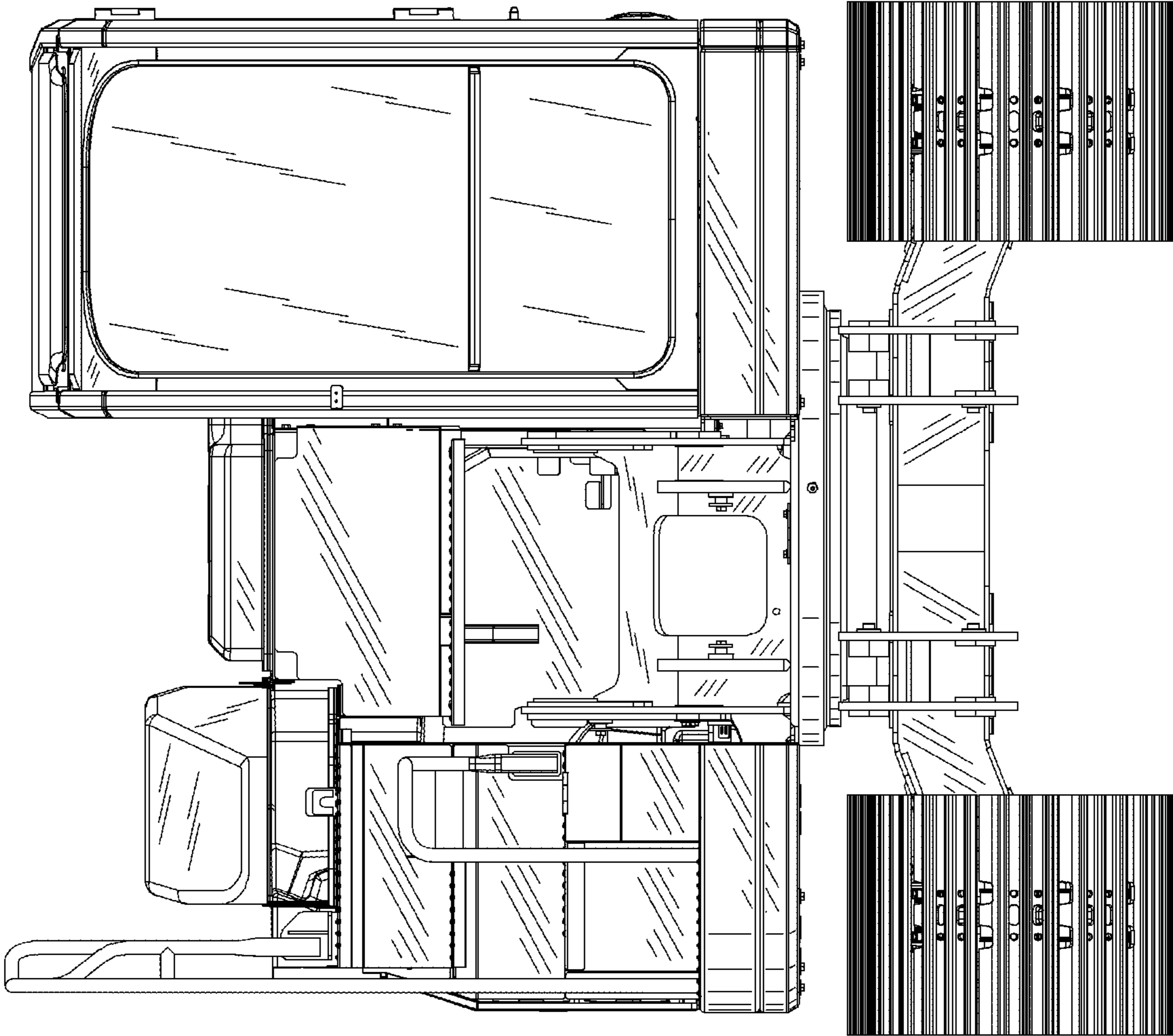


FIG. 4

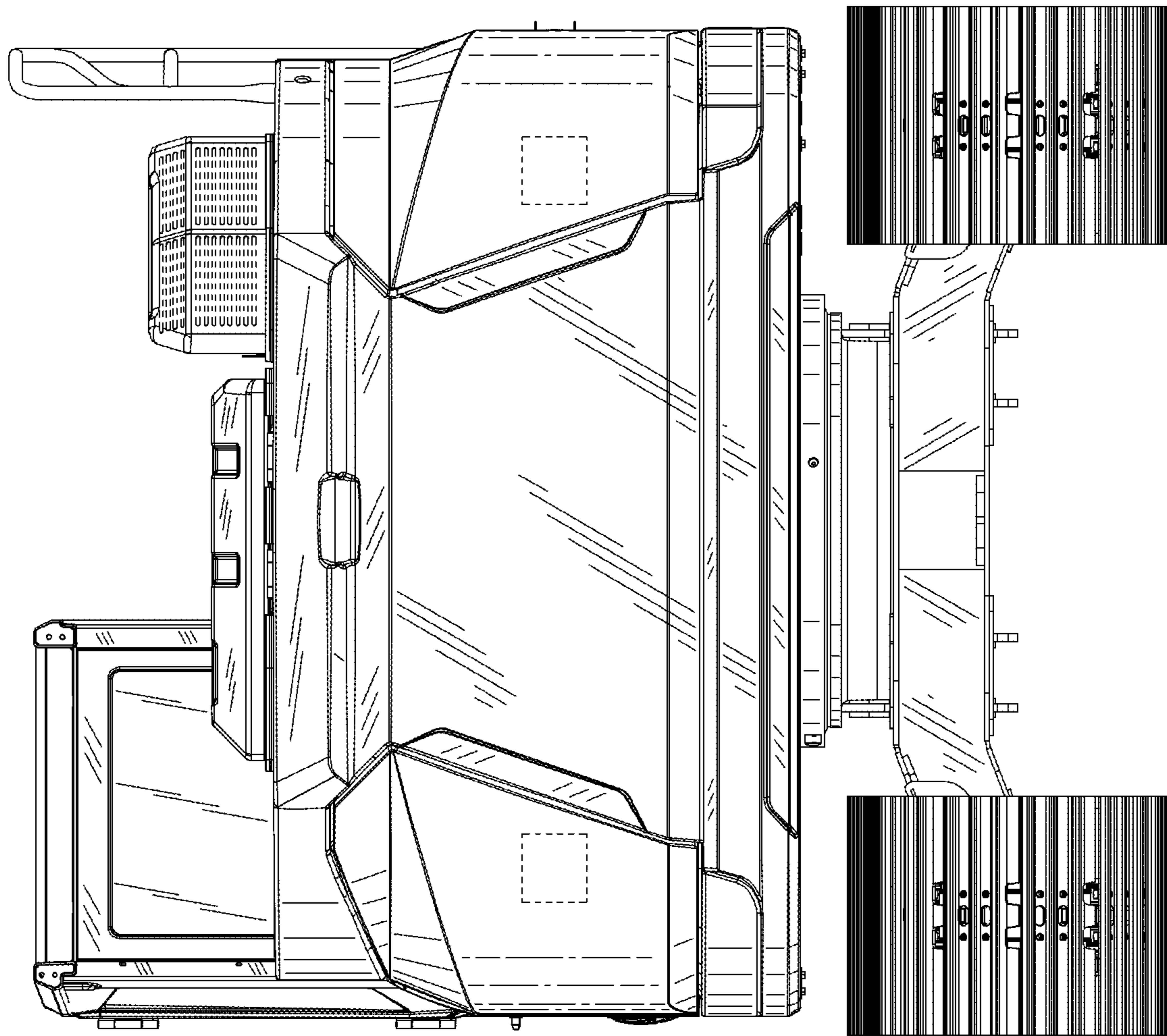


FIG. 5

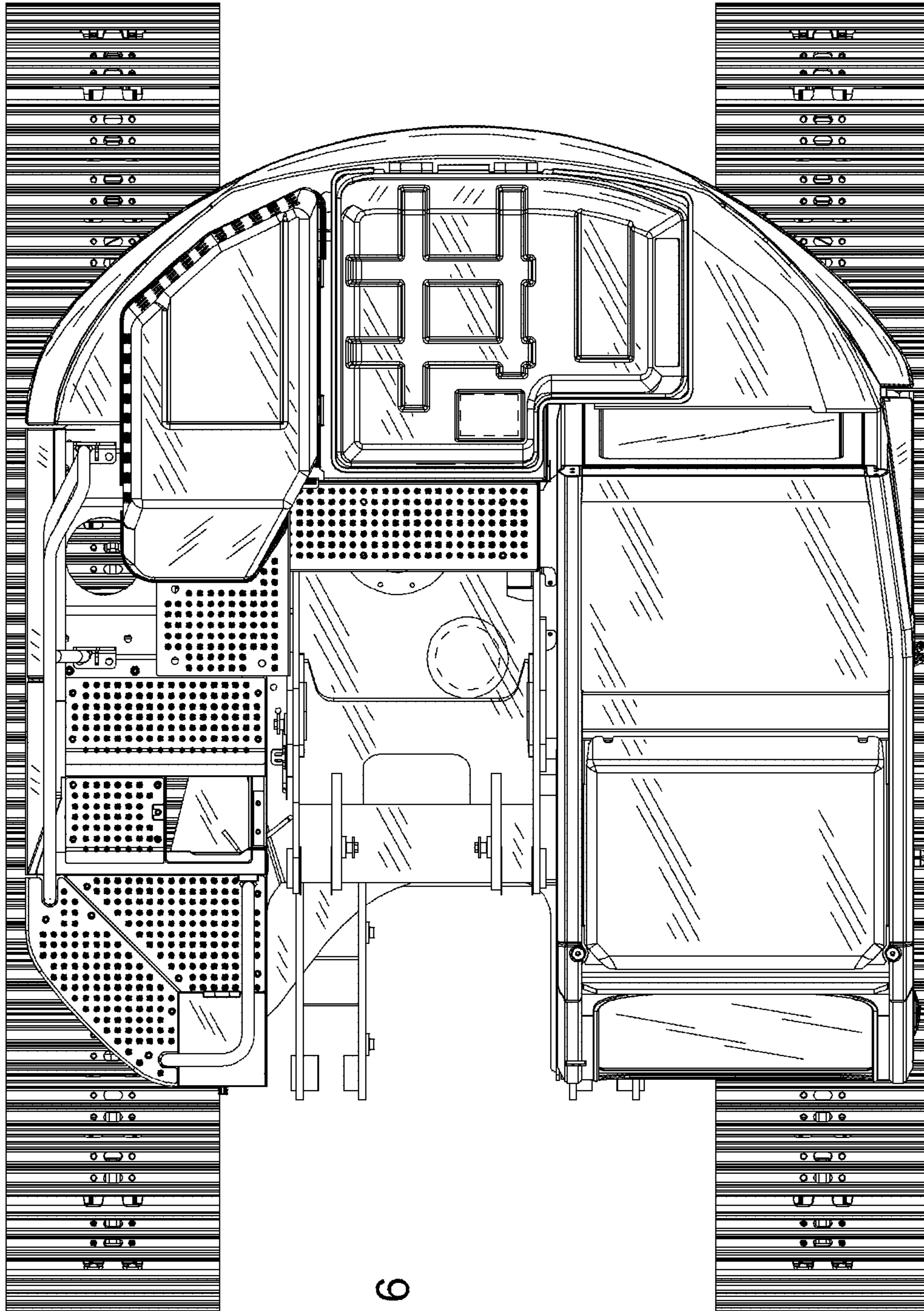


FIG. 6

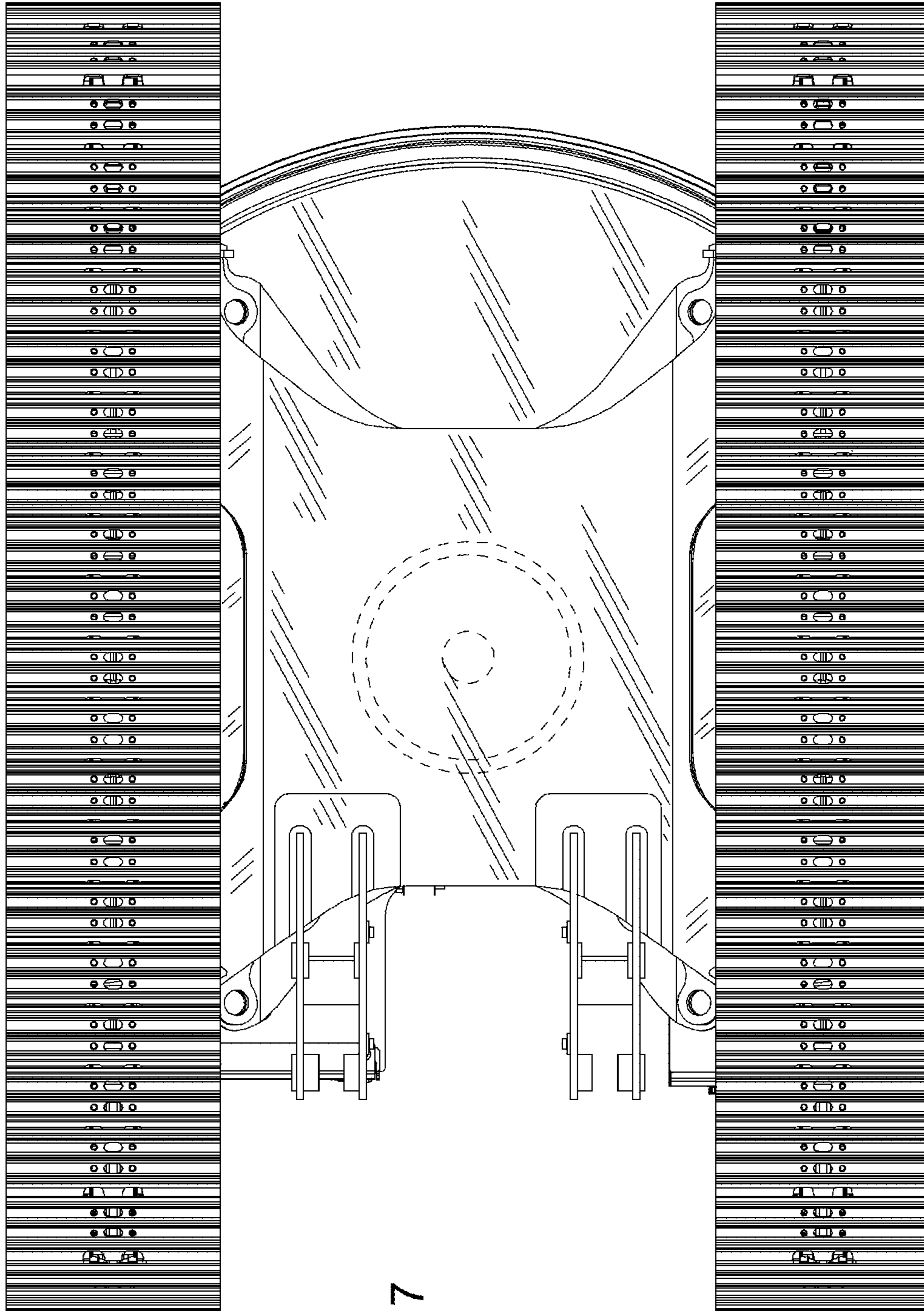


FIG. 7