



US00D927557S

(12) **United States Design Patent**  
**Yu**

(10) **Patent No.:** **US D927,557 S**

(45) **Date of Patent:** **\*\* Aug. 10, 2021**

(54) **INFLATOR PUMP**

(71) Applicant: **Qinglan Yu**, Sichuan (CN)

(72) Inventor: **Qinglan Yu**, Sichuan (CN)

(\*\*) Term: **15 Years**

(21) Appl. No.: **29/700,996**

(22) Filed: **Aug. 7, 2019**

(51) **LOC (13) Cl.** ..... **15-02**

(52) **U.S. Cl.**  
USPC ..... **D15/7**

(58) **Field of Classification Search**  
USPC ..... D7/309; D15/7, 9; D23/213, 223  
CPC ..... F17C 1/00; F02M 37/04; F02M 37/08;  
F04B 1/005  
See application file for complete search history.

(56) **References Cited**

**U.S. PATENT DOCUMENTS**

D455,441 S *	4/2002	Chou	.....	D15/7
D466,908 S *	12/2002	Poon	.....	D15/7
D611,962 S *	3/2010	Schneider	.....	D15/9
D626,970 S *	11/2010	Moser	.....	D15/9
D643,053 S *	8/2011	Langlois	.....	D15/144
D658,208 S *	4/2012	Moser, III	.....	D15/9
D662,519 S *	6/2012	Anderson	.....	D15/9
D668,685 S *	10/2012	Haener	.....	D15/9
D678,339 S *	3/2013	Hughes	.....	D15/7
D707,719 S *	6/2014	Kamijyo	.....	D15/7
D727,971 S *	4/2015	Anderson	.....	D15/7

D740,328 S *	10/2015	Maw	.....	D15/7
D742,999 S *	11/2015	Moya	.....	D23/225
9,273,677 B2 *	3/2016	Youell	.....	F04B 53/16
D774,102 S *	12/2016	Ellman	.....	D15/9
D866,604 S *	11/2019	Wait	.....	D15/7
D868,119 S *	11/2019	Kobler	.....	D15/7
D886,158 S *	6/2020	Zhang	.....	D15/7
D898,773 S *	10/2020	Arkwright	.....	D15/7
D904,462 S *	12/2020	Scarleski	.....	D15/7
D910,810 S *	2/2021	Stanca	.....	D23/213
D914,197 S *	3/2021	Gray	.....	D24/111
D917,576 S *	4/2021	Matteo	.....	D15/9

\* cited by examiner

*Primary Examiner* — Susan E Krakower

*Assistant Examiner* — Andrew Kerr

(57) **CLAIM**

The ornamental design for an inflator pump, as shown and described.

**DESCRIPTION**

FIG. 1 is a front elevation view of an inflator pump showing my new design;

FIG. 2 is a back elevation view thereof;

FIG. 3 is an enlarged left side view thereof;

FIG. 4 is an enlarged right side view thereof;

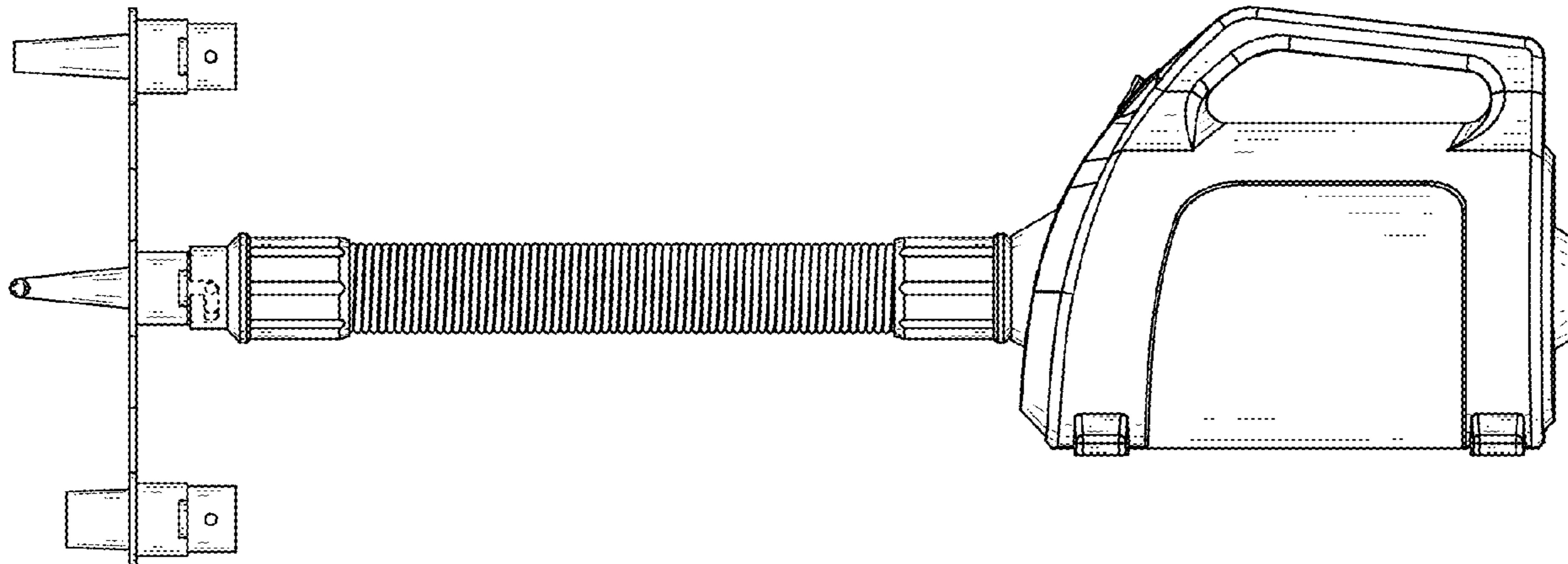
FIG. 5 is a top plan view thereof;

FIG. 6 is a bottom plan view thereof; and,

FIG. 7 is a perspective view thereof.

The broken lines in the drawings depict portions of the inflator pump that form no part of the claimed design.

**1 Claim, 7 Drawing Sheets**



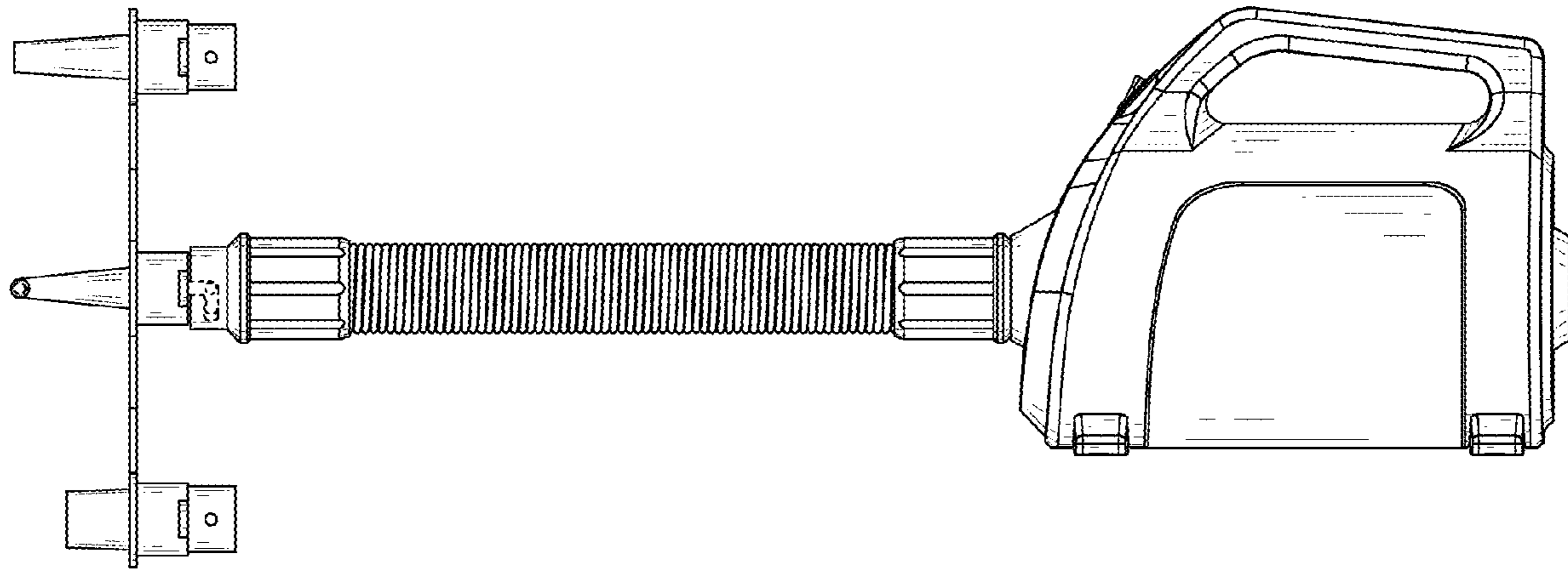


FIG. 1

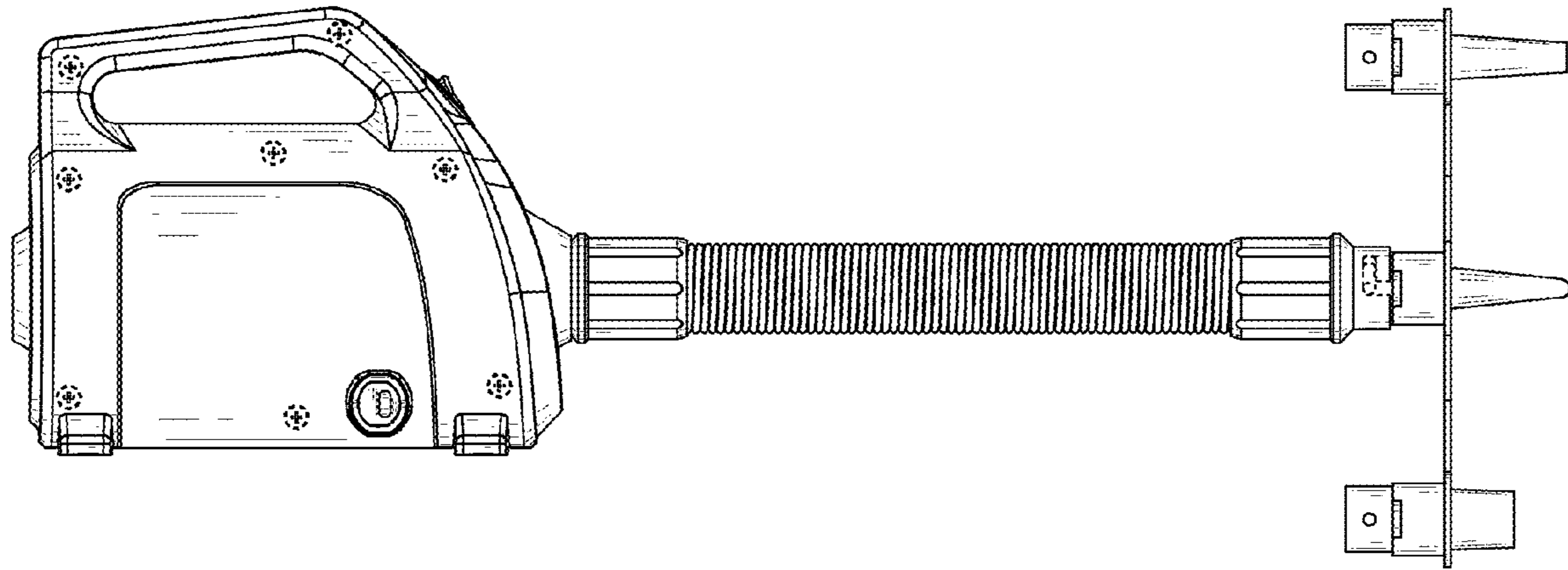


FIG. 2

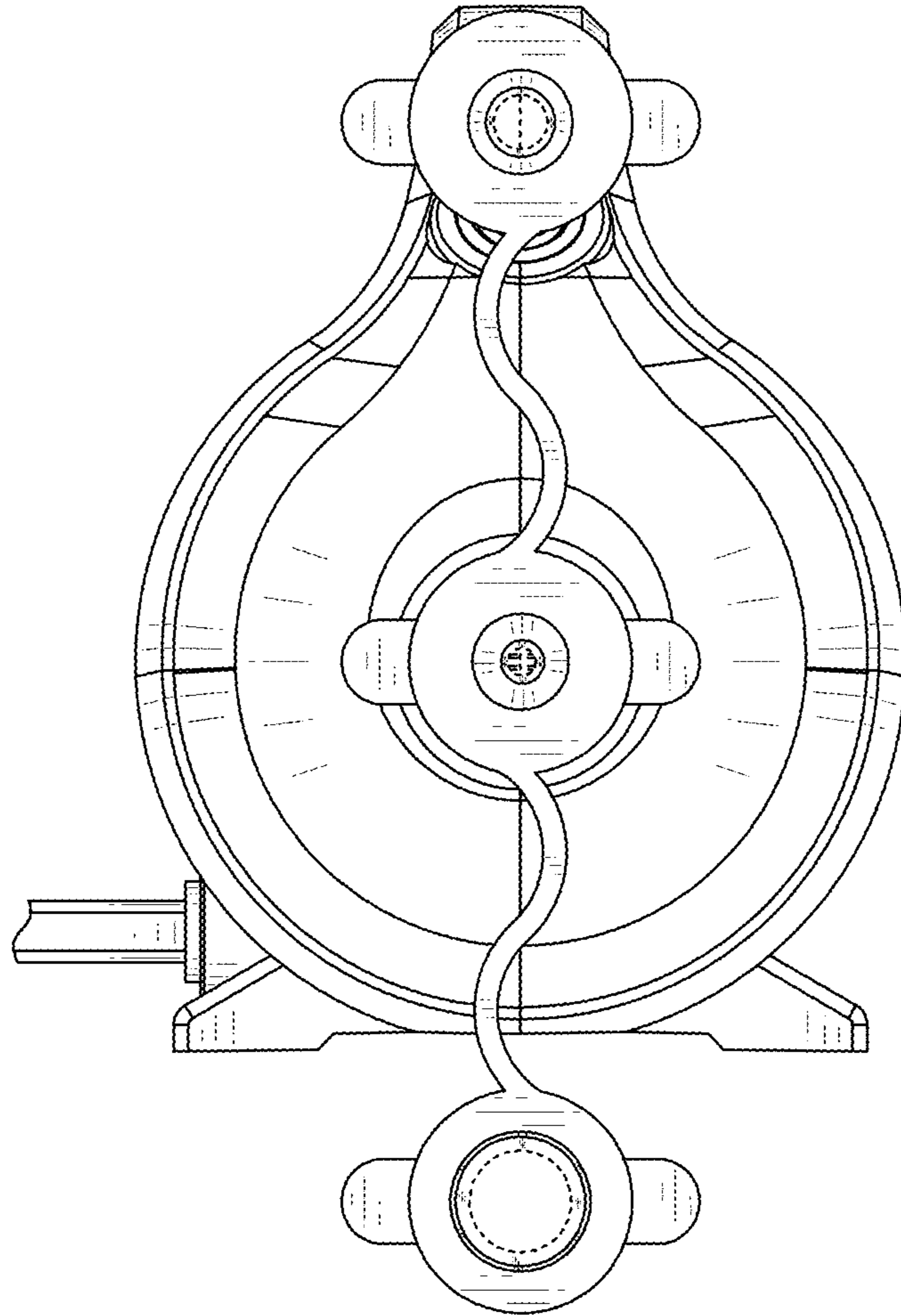


FIG. 3

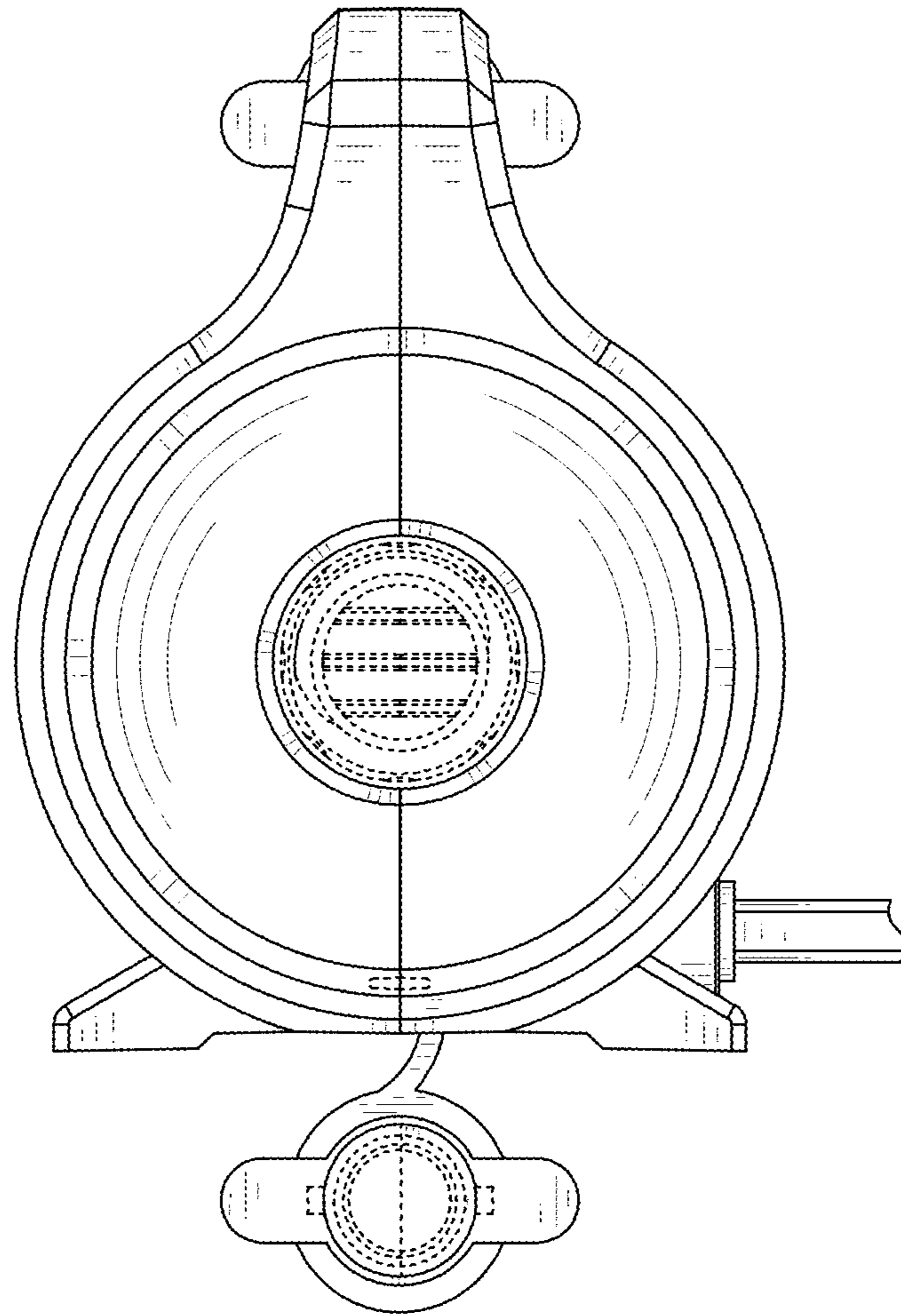


FIG. 4

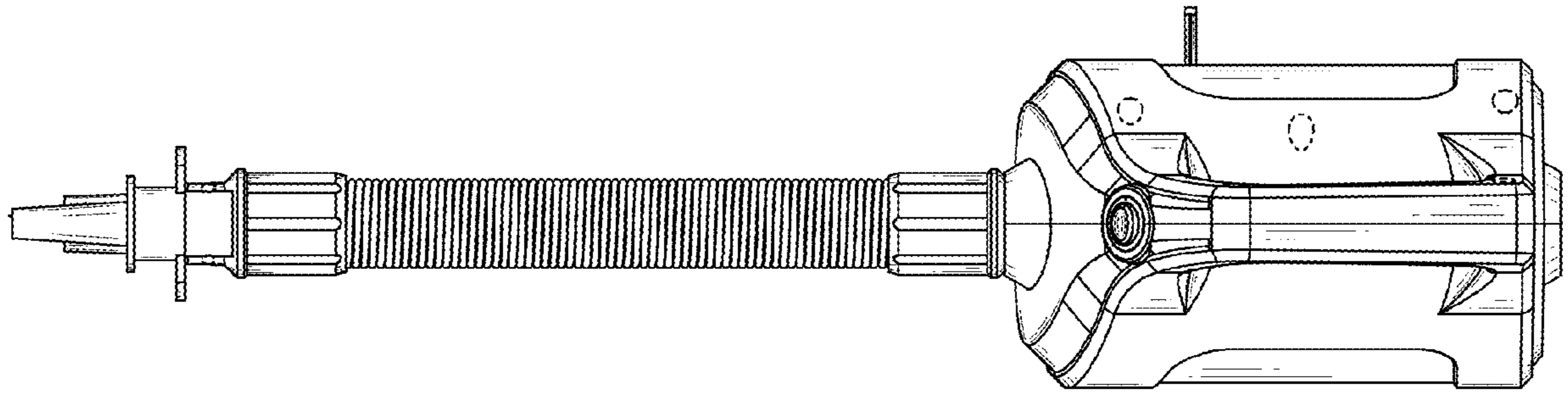


FIG. 5

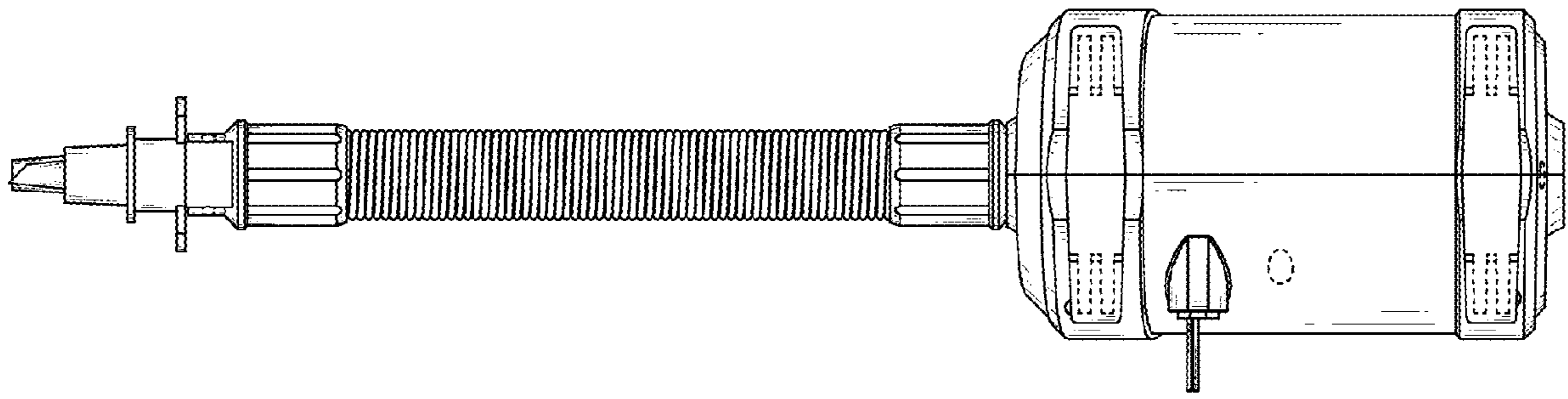


FIG. 6

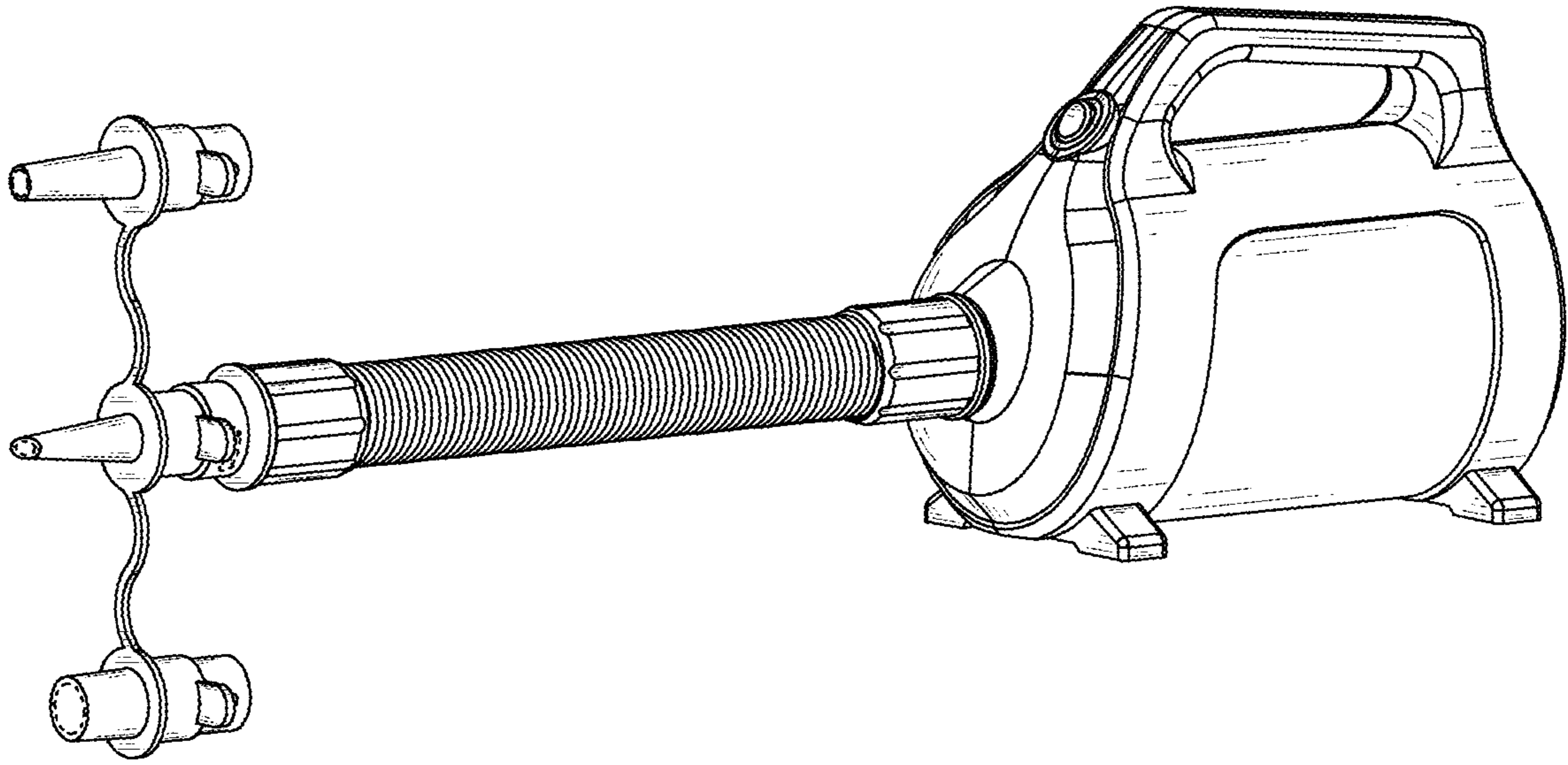


FIG. 7