



US00D927556S

(12) **United States Design Patent**
Vaidyanathan et al.

(10) **Patent No.:** **US D927,556 S**
(45) **Date of Patent:** **** Aug. 10, 2021**

- (54) **PRESSURE REGULATOR BLOCK**
- (71) Applicant: **Transportation IP Holdings, LLC**,
Norwalk, CT (US)
- (72) Inventors: **Krishnamurthy Vaidyanathan**,
Bangalore (IN); **Bharath Chandrashekar**,
Bangalore (IN); **Ramprasad Shetti**,
Bangalore (IN); **Radhish Balan Sulochana**,
Bangalore (IN); **Mahantesh Hosur**,
Bangalore (IN)
- (73) Assignee: **TRANSPORTATION IP HOLDINGS,**
LLC, Norwalk, CT (US)

D398,375 S *	9/1998	Lynch	D23/245
D406,320 S *	3/1999	Lynch	D23/245
D414,844 S *	10/1999	Lynch	D23/245
D427,664 S *	7/2000	Yano	D23/233
D433,481 S *	11/2000	Kaneko	D23/233
D440,632 S *	4/2001	Fukuda	D23/233
6,264,113 B1 *	7/2001	Dingier	B05B 7/0815 239/11
6,866,065 B2 *	3/2005	Camozzi	F15B 13/0402 137/625.69
D518,147 S *	3/2006	Fukushima	D23/233
D520,520 S *	5/2006	Nimberger	D15/5
D521,596 S *	5/2006	Nimberger	D15/5
D521,597 S *	5/2006	Nimberger	D23/233
D536,422 S *	2/2007	Nimberger	D15/5
D544,499 S *	6/2007	Nimberger	D15/5

(Continued)

(**) Term: **15 Years**

(21) Appl. No.: **29/774,404**

(22) Filed: **Mar. 16, 2021**

Related U.S. Application Data

(62) Division of application No. 29/759,528, filed on Nov. 23, 2020, which is a division of application No. 29/653,083, filed on Jun. 12, 2018, now Pat. No. Des. 906,371.

(51) **LOC (13) Cl.** **15-01**

(52) **U.S. Cl.**
USPC **D15/5; D23/235**

(58) **Field of Classification Search**
USPC D15/5; D23/233, 237, 245, 259, 269,
D23/235; D10/121; D12/218
CPC ... B29C 44/1271; B29C 44/086; B60T 17/04;
F16H 61/30; F16H 61/0267
See application file for complete search history.

(56) **References Cited**

U.S. PATENT DOCUMENTS

D297,256 S *	8/1988	Schwarz	D23/233
5,709,247 A *	1/1998	Hutton	F15B 13/0814 137/597

Primary Examiner — Sheryl Lane

Assistant Examiner — Mark T. Philipps

(74) *Attorney, Agent, or Firm* — McCoy Russell LLP

(57) **CLAIM**

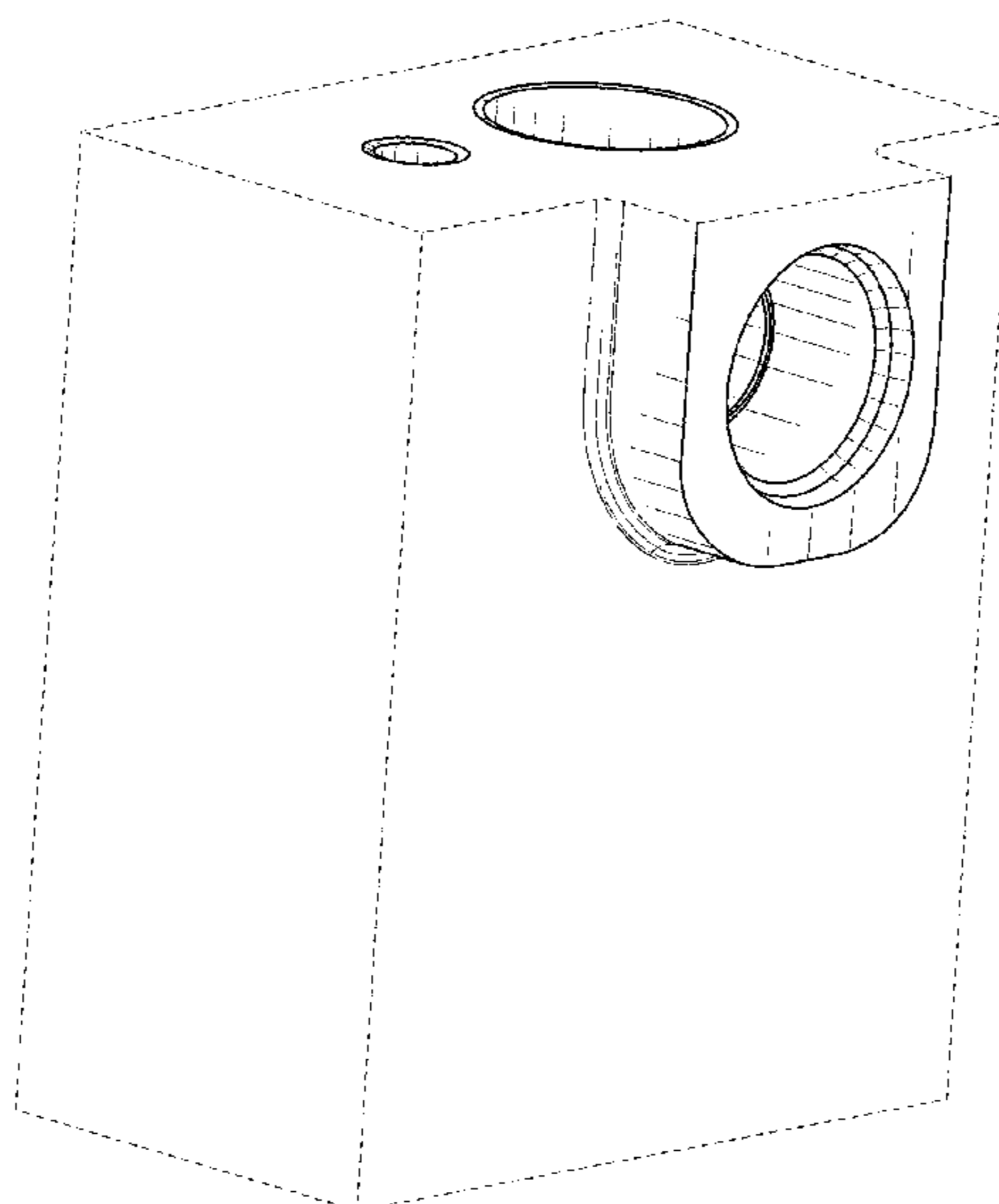
We claim the ornamental design for a pressure regulator block, as shown and described.

DESCRIPTION

FIG. 1 is a perspective view of a pressure regulator block; FIG. 2 is a second perspective view thereof; FIG. 3 is a front view thereof; FIG. 4 is a rear view thereof; FIG. 5 is a left view thereof; FIG. 6 is a right view thereof; FIG. 7 is a top view thereof; and, FIG. 8 is a bottom view thereof.

The broken line portion of the figures is included to show unclaimed subject matter only and forms no part of the claimed design.

1 Claim, 5 Drawing Sheets



(56)

References Cited

U.S. PATENT DOCUMENTS

D578,548 S * 10/2008 Bohlen D15/5
D578,549 S * 10/2008 Nimberger D15/5
D583,832 S * 12/2008 Nimberger D15/5
D584,319 S * 1/2009 Nimberger D15/5
D615,619 S * 5/2010 Roys D23/233
D619,219 S * 7/2010 Waymire D23/237
D731,620 S * 6/2015 Galle D23/233
D867,398 S * 11/2019 Sato D15/5
D868,218 S * 11/2019 Sonerud D23/259
2003/0145886 A1 * 8/2003 Paul G05D 16/2026
137/98
2019/0322264 A1 * 10/2019 Weh F15B 13/0814

* cited by examiner

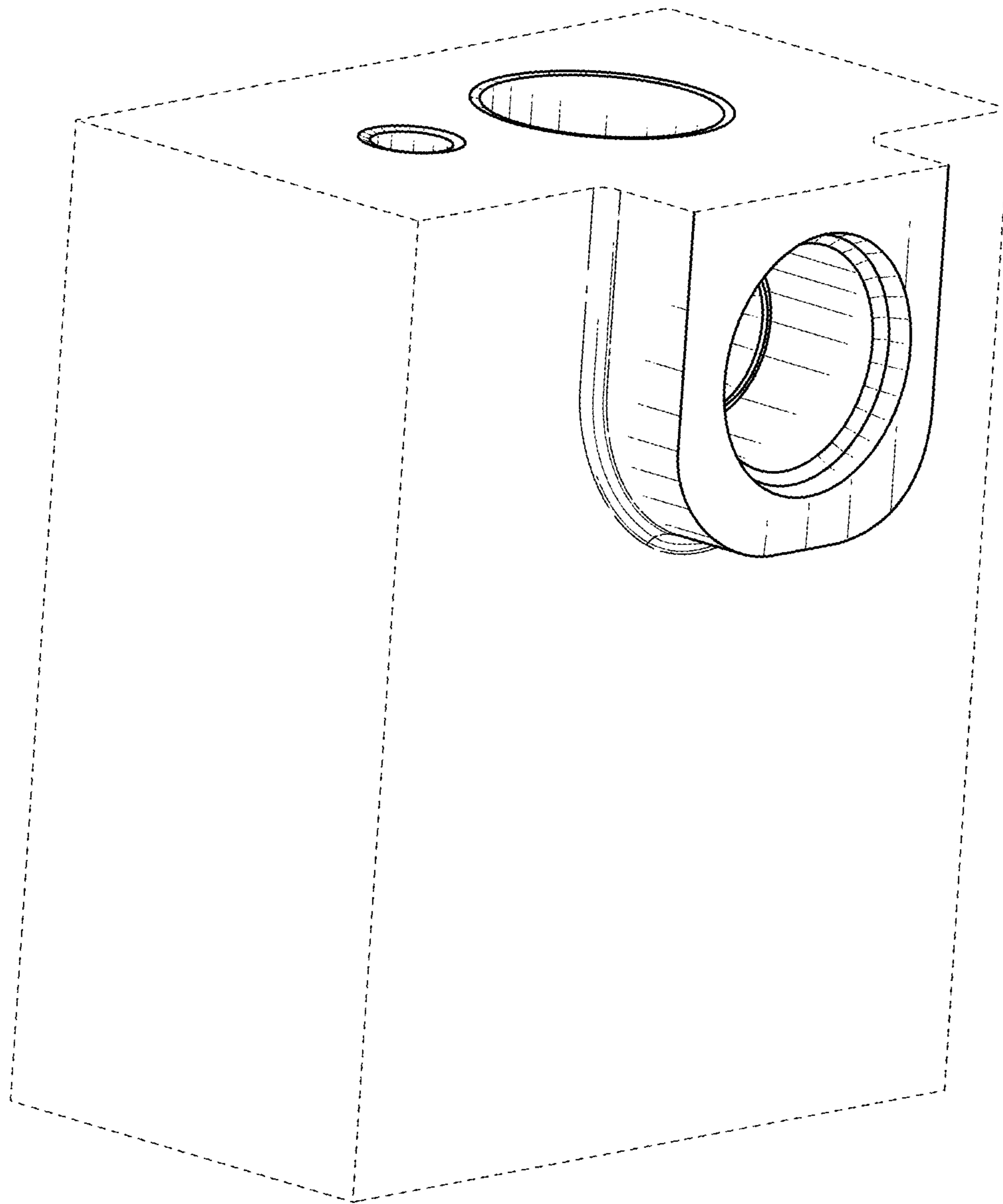


FIG. 1

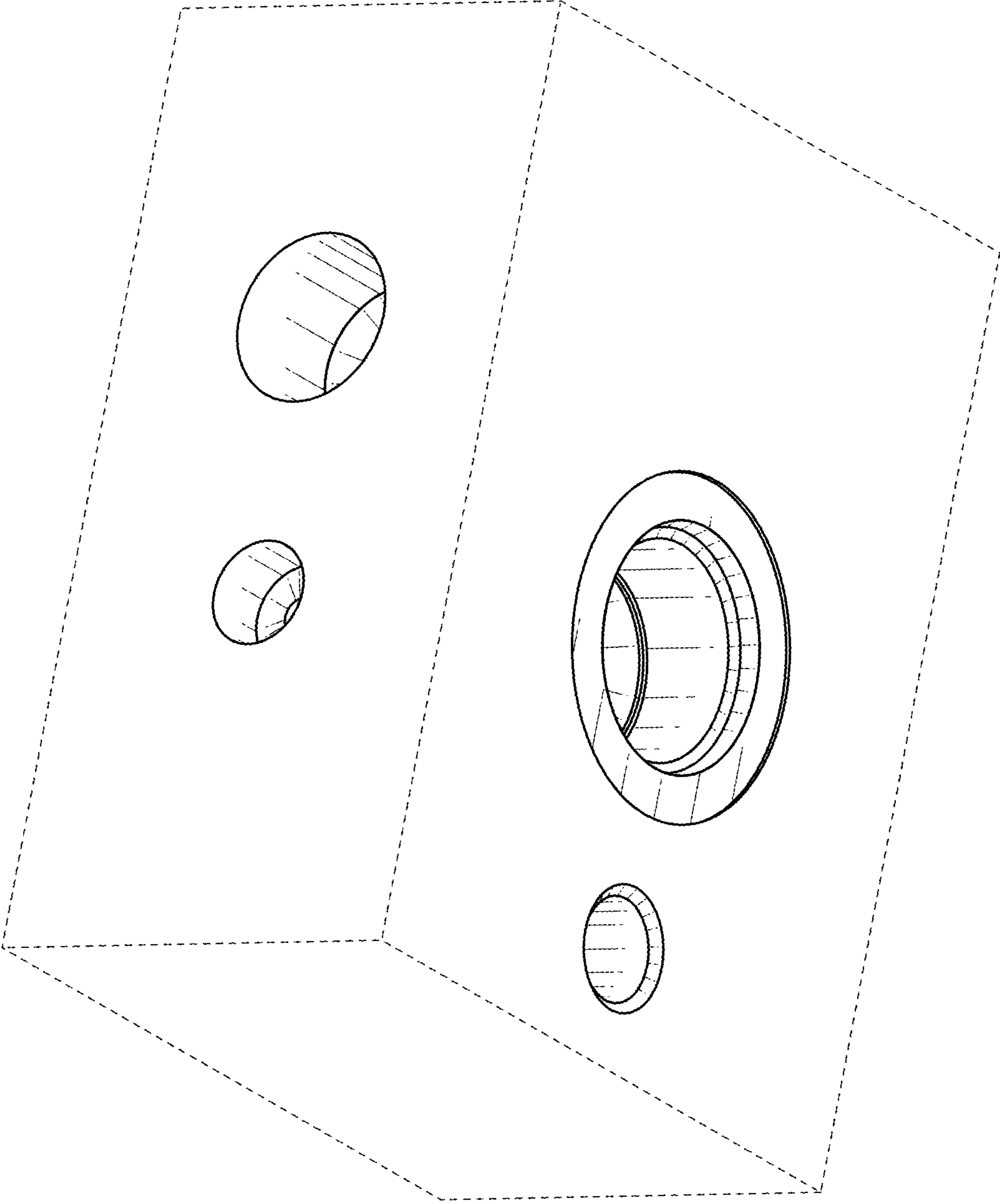


FIG. 2

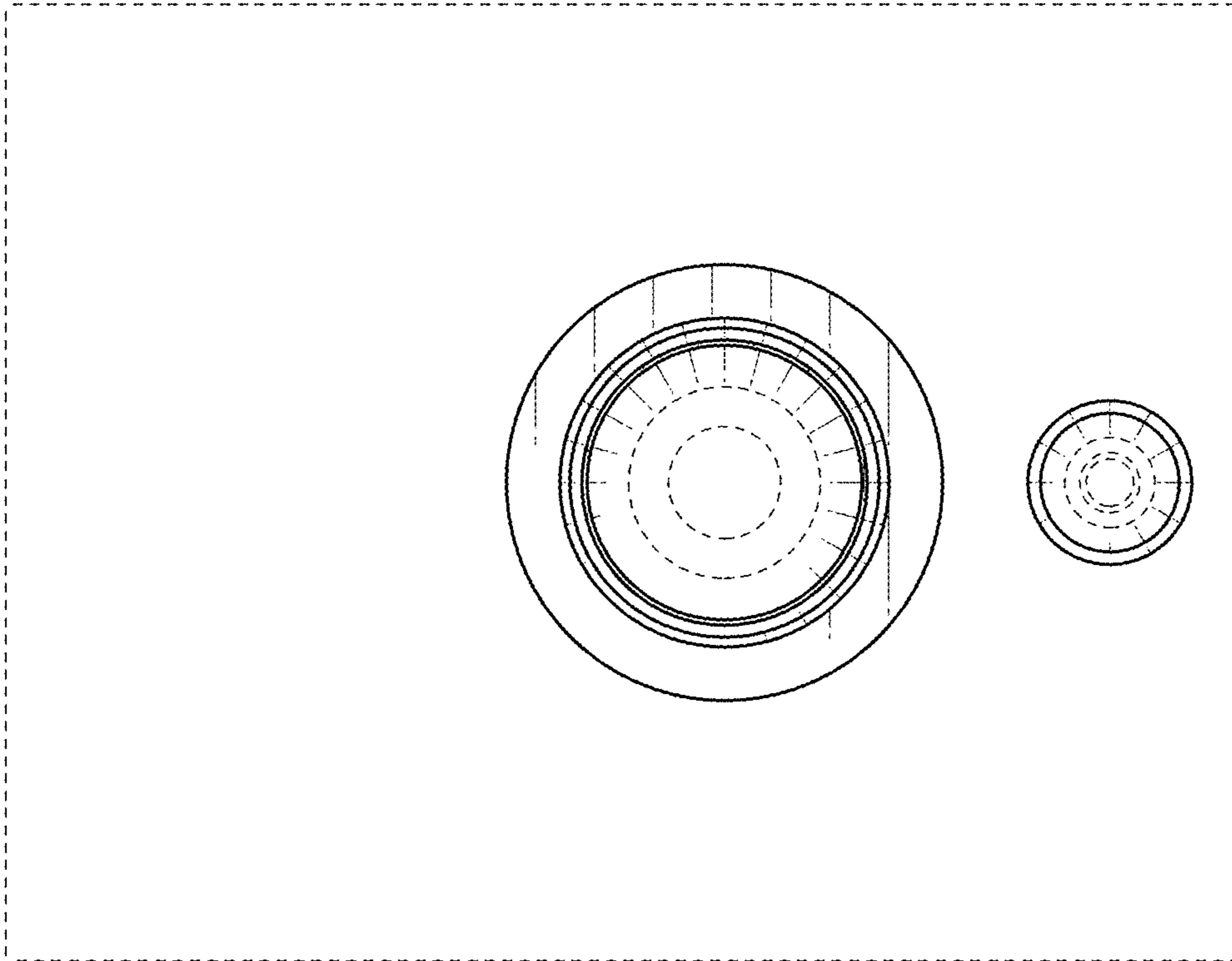


FIG. 4

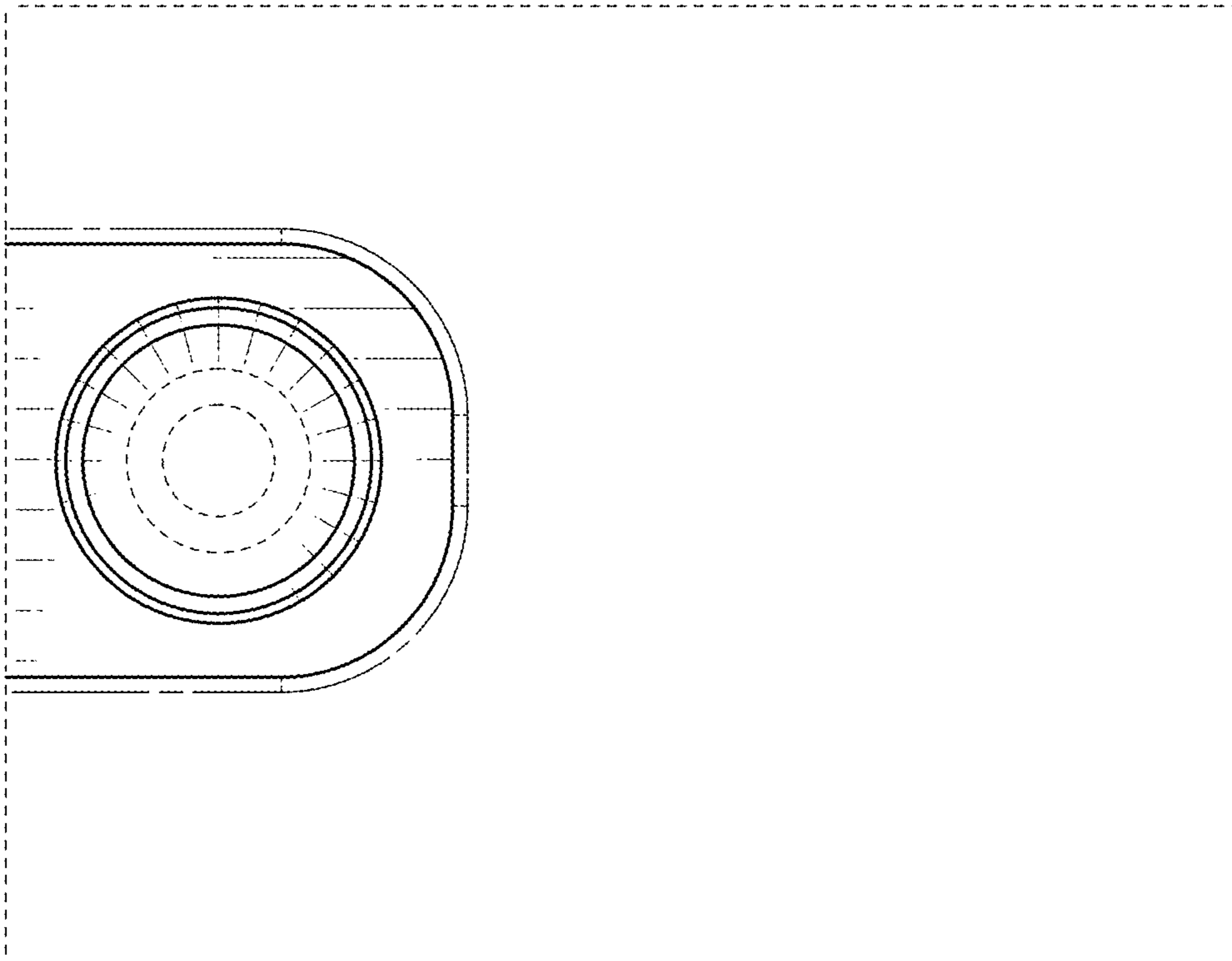


FIG. 3

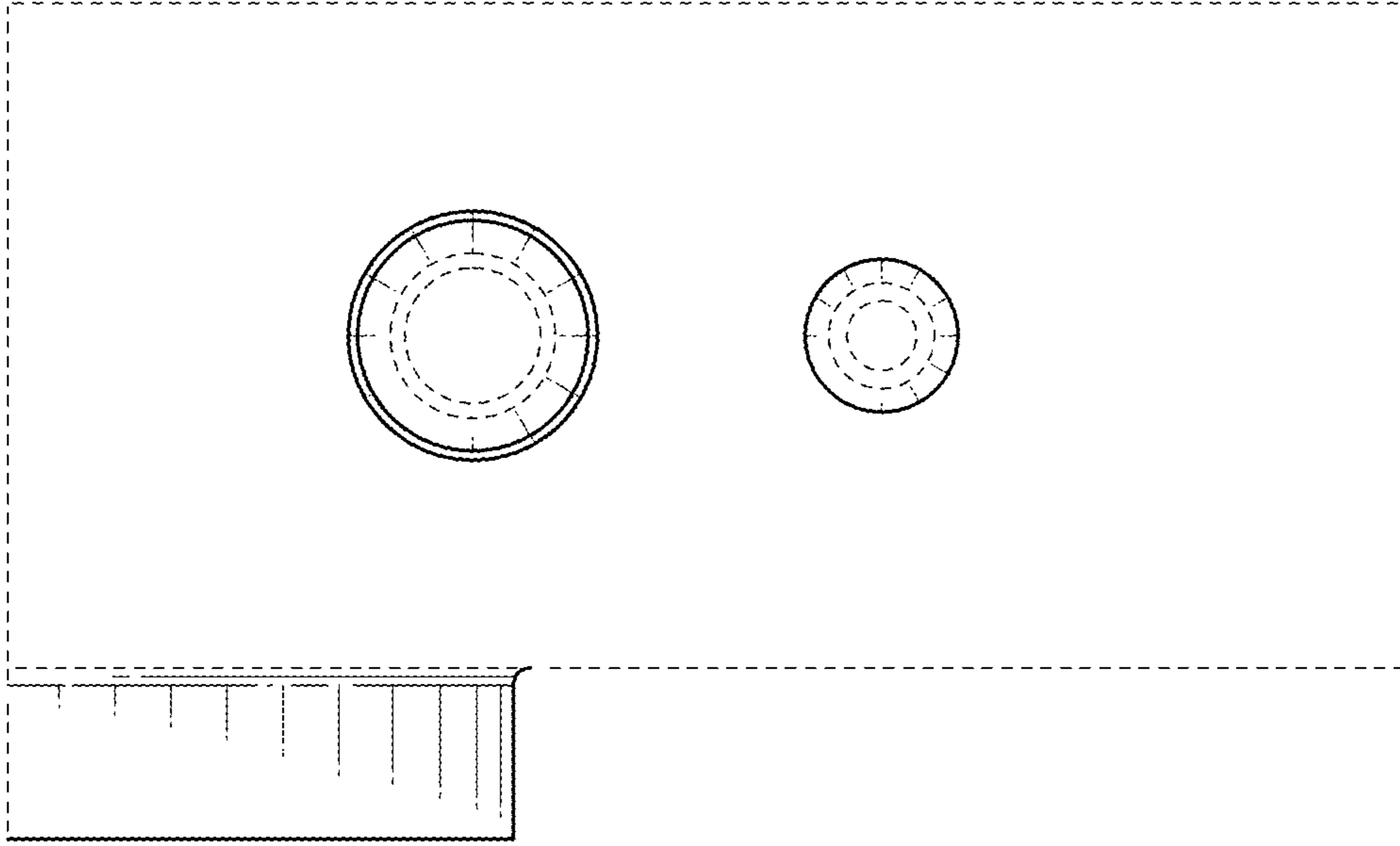


FIG. 6

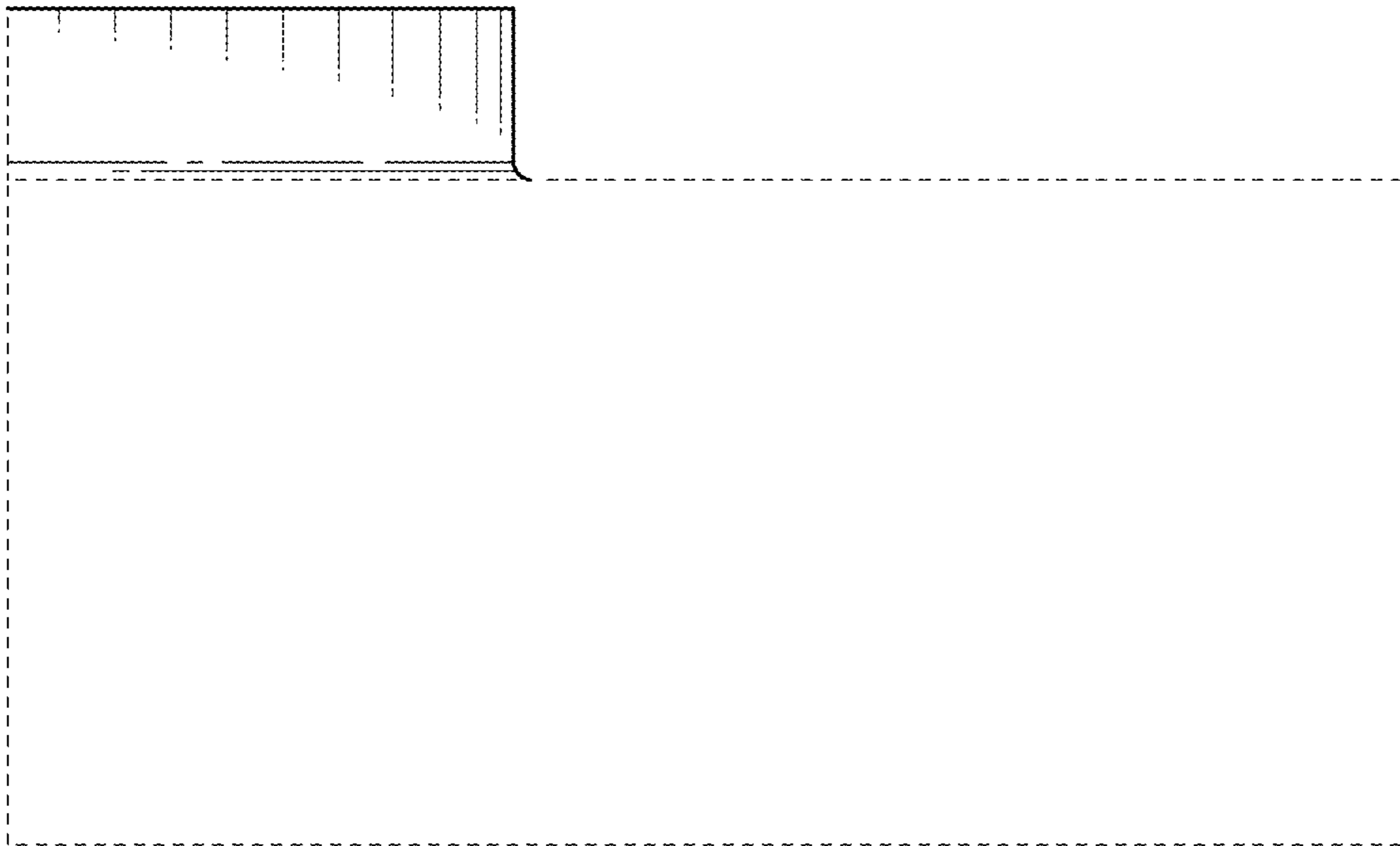


FIG. 5

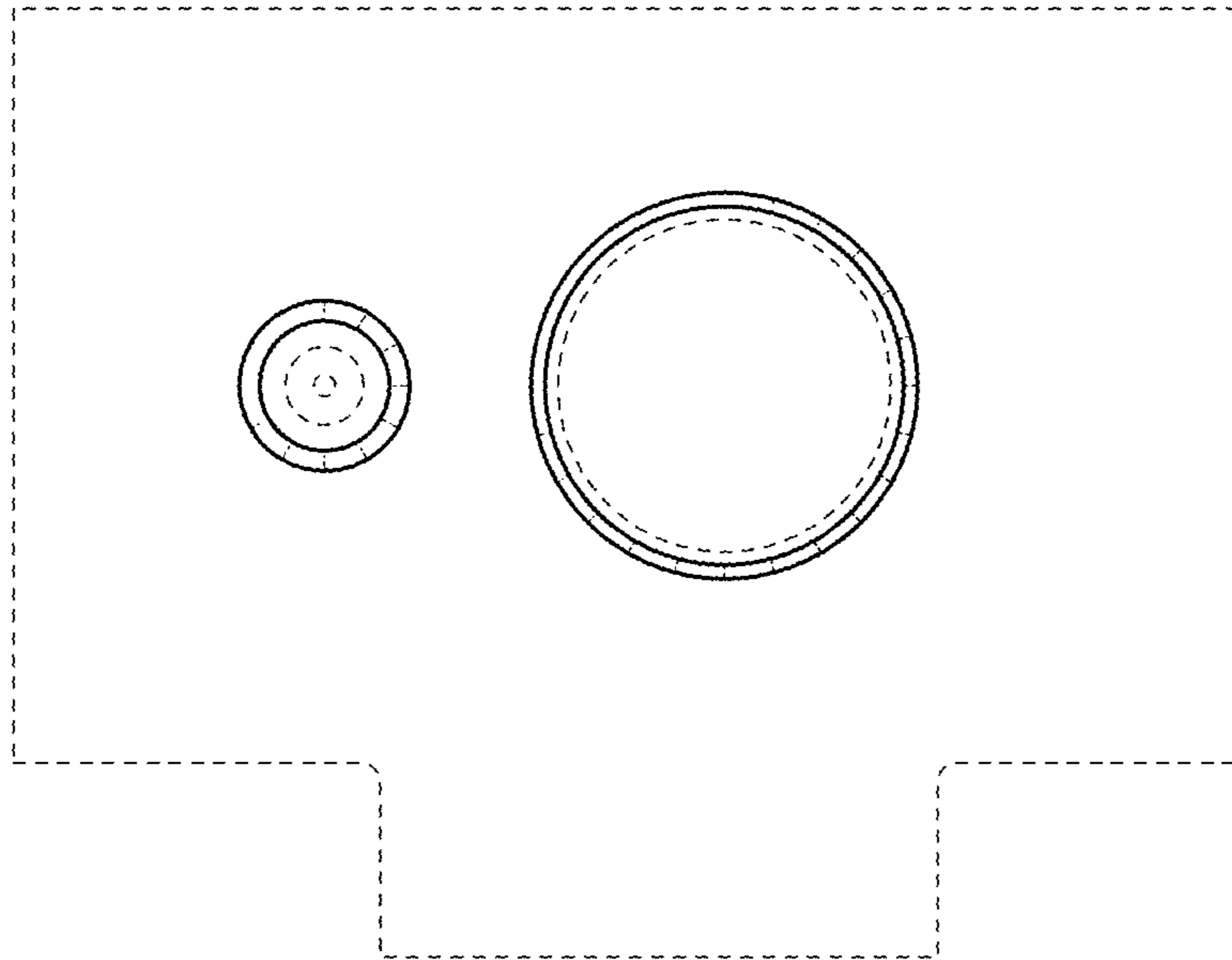


FIG. 7

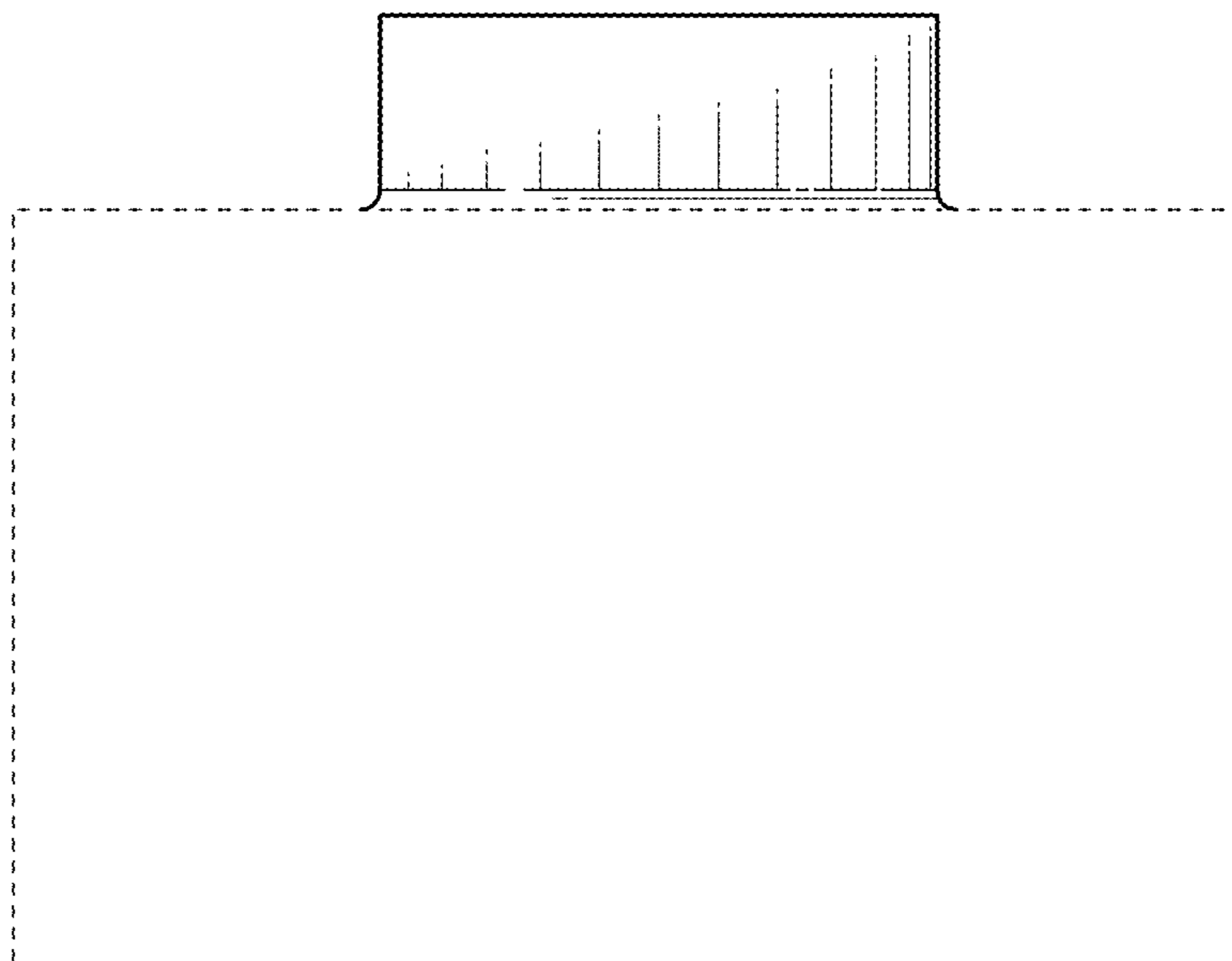


FIG. 8