



US00D927555S

(12) **United States Design Patent** (10) **Patent No.:** **US D927,555 S**
Bennett et al. (45) **Date of Patent:** **** Aug. 10, 2021**

(54) **SNORKEL SYSTEM**
(71) Applicant: **OMIX-ADA, INC.**, Ann Arbor, MI (US)
(72) Inventors: **Patrick W. Bennett**, Gainesville, GA (US); **Eric Lance Russell**, Lilburn, GA (US)
(73) Assignee: **OMIX-ADA, INC.**, Ann Arbor, MI (US)

D687,071 S 7/2013 Bennett
D687,072 S 7/2013 Bennett
8,960,347 B2 * 2/2015 Bennett B60K 13/02 180/68.3
9,234,484 B2 1/2016 Lewington et al.
D774,101 S 12/2016 Delgado
D788,175 S * 5/2017 Nezar D15/5
9,683,527 B2 6/2017 Tallman
9,909,542 B2 3/2018 Rother
(Continued)

(**) Term: **15 Years**

WO 2017/183268 A1 10/2017

(21) Appl. No.: **29/728,184**

OTHER PUBLICATIONS

(22) Filed: **Mar. 17, 2020**

Black Coated RAM Air Snorkel Intake System Kit for 07-11 JK Jeep Wrangler 3.8 V6, ebay.com, last accessed Oct. 22, 2018.

(51) **LOC (13) Cl.** **15-01**

(Continued)

(52) **U.S. Cl.**

USPC **D15/5**

(58) **Field of Classification Search**

USPC D15/1-5

CPC B60K 13/02; F02M 35/10013

See application file for complete search history.

Primary Examiner — Ania Aman

(74) *Attorney, Agent, or Firm* — The Dobrusin Law Firm, P.C.

(56) **References Cited**

(57) **CLAIM**

The ornamental design for a snorkel system, as shown and described.

U.S. PATENT DOCUMENTS

DESCRIPTION

3,987,862 A	10/1976	Lindstone
4,366,878 A	1/1983	Warf
5,671,802 A	9/1997	Rogers
6,152,096 A	11/2000	Setsuda
6,287,354 B1	9/2001	Nozaki
6,314,931 B1	11/2001	Yasuda et al.
6,530,443 B1	3/2003	Tsuruta et al.
D636,408 S	4/2011	Luxon et al.
D636,787 S	4/2011	Luxon et al.
D636,788 S	4/2011	Luxon et al.
D637,205 S	5/2011	Luxon et al.
D637,206 S	5/2011	Luxon et al.
D637,623 S	5/2011	Luxon et al.
D638,446 S	5/2011	Luxon et al.
D642,199 S	7/2011	Luxon et al.
D648,745 S	11/2011	Luxon et al.

FIG. 1 is a front perspective view of a snorkel system showing our new design.

FIG. 2 is a front elevation view of FIG. 1.

FIG. 3 is a left side elevation view of FIG. 1.

FIG. 4 is right side elevation view of FIG. 1.

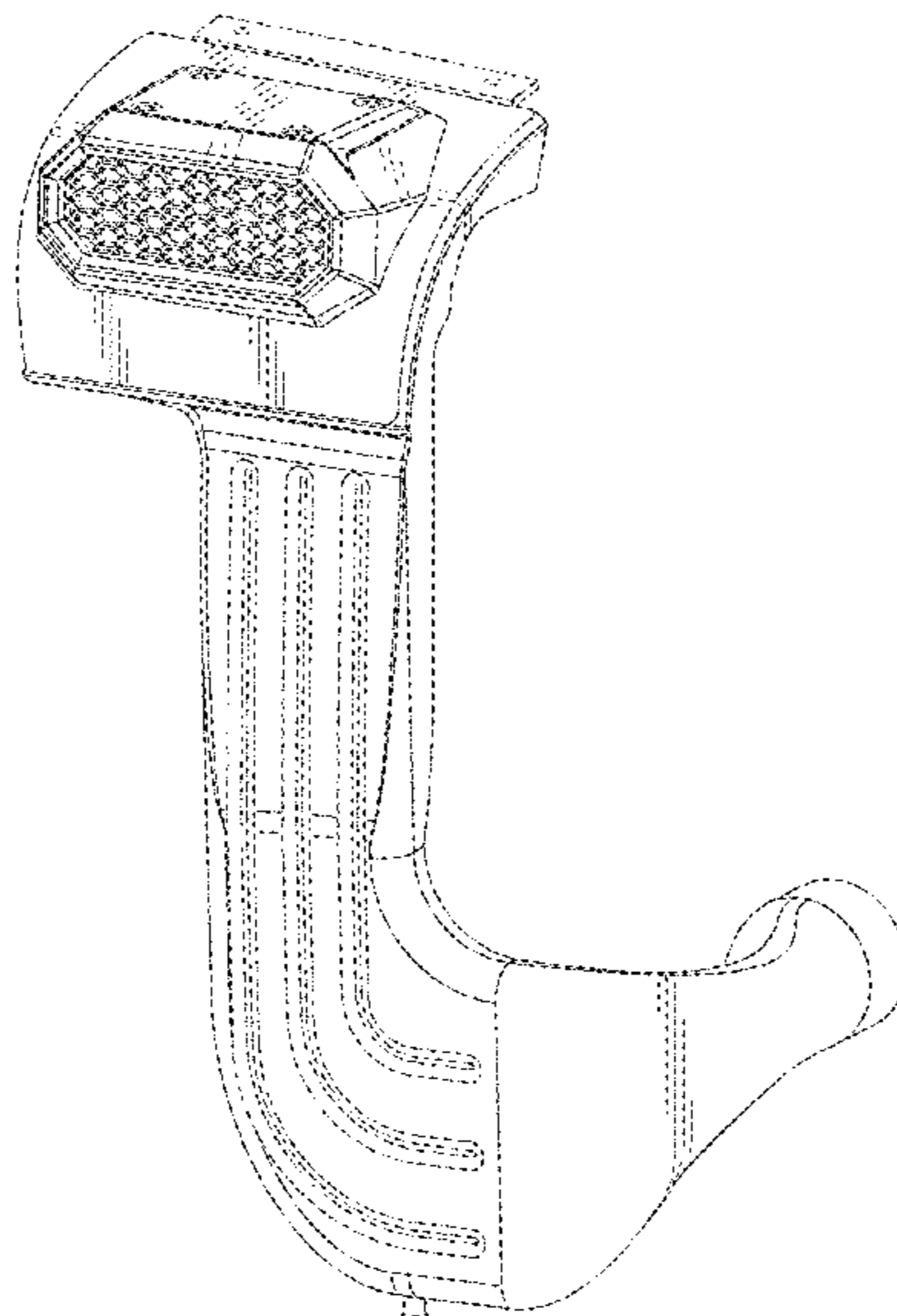
FIG. 5 is a top plan view of FIG. 1.

FIG. 6 is a bottom plan view of FIG. 1; and,

FIG. 7 is a back elevation view of FIG. 1.

The broken lines are used to show unclaimed portions of the snorkel system and form no part of the claimed design.

1 Claim, 6 Drawing Sheets



(56)

References Cited

U.S. PATENT DOCUMENTS

10,131,222	B1	11/2018	Tier et al.	
10,393,076	B1	8/2019	Freeman et al.	
10,428,773	B1	10/2019	Bennett et al.	
D896,142	S *	9/2020	Bennett	D12/190
D896,277	S *	9/2020	Bennett	D15/5
D905,117	S *	12/2020	Bennett	D15/5
2002/0023792	A1	2/2002	Bouffard et al.	
2005/0217625	A1	10/2005	Niaken et al.	
2006/0065231	A1	3/2006	Nozaki et al.	
2006/0185639	A1	8/2006	Rosenbaum	
2006/0219209	A1	10/2006	Tsuruta et al.	
2006/0230728	A1	10/2006	Tsuruta et al.	
2007/0012274	A1	1/2007	Kawatani	
2009/0151308	A1 *	6/2009	Jung	F02M 35/10013 55/337
2009/0260906	A1	10/2009	Hartland et al.	
2010/0078239	A1	4/2010	Beloy	
2010/0083928	A1	4/2010	Saito et al.	
2014/0008136	A1	1/2014	Bennett	
2015/0240760	A1	8/2015	Lewington et al.	
2017/0130681	A1	5/2017	Tallman	
2017/0130682	A1	5/2017	Tallman	
2017/0260939	A1	9/2017	Williams	
2018/0319270	A1	11/2018	Tier et al.	

OTHER PUBLICATIONS

AEV Jeep Wrangler JK Snorkel Pre Filter, Sam's 4x4, sams4X4.com, last accessed Oct. 22, 2018.
 Potentially Related U.S. Appl. No. 29/667,519, filed Oct. 23, 2018.
 Potentially Related U.S. Appl. No. 29/667,886, filed Oct. 25, 2018.
 Potentially Related U.S. Appl. No. 16/171,428, filed Oct. 26, 2018.
 Potentially Related U.S. Appl. No. 29/667,549, filed Oct. 23, 2018.

* cited by examiner

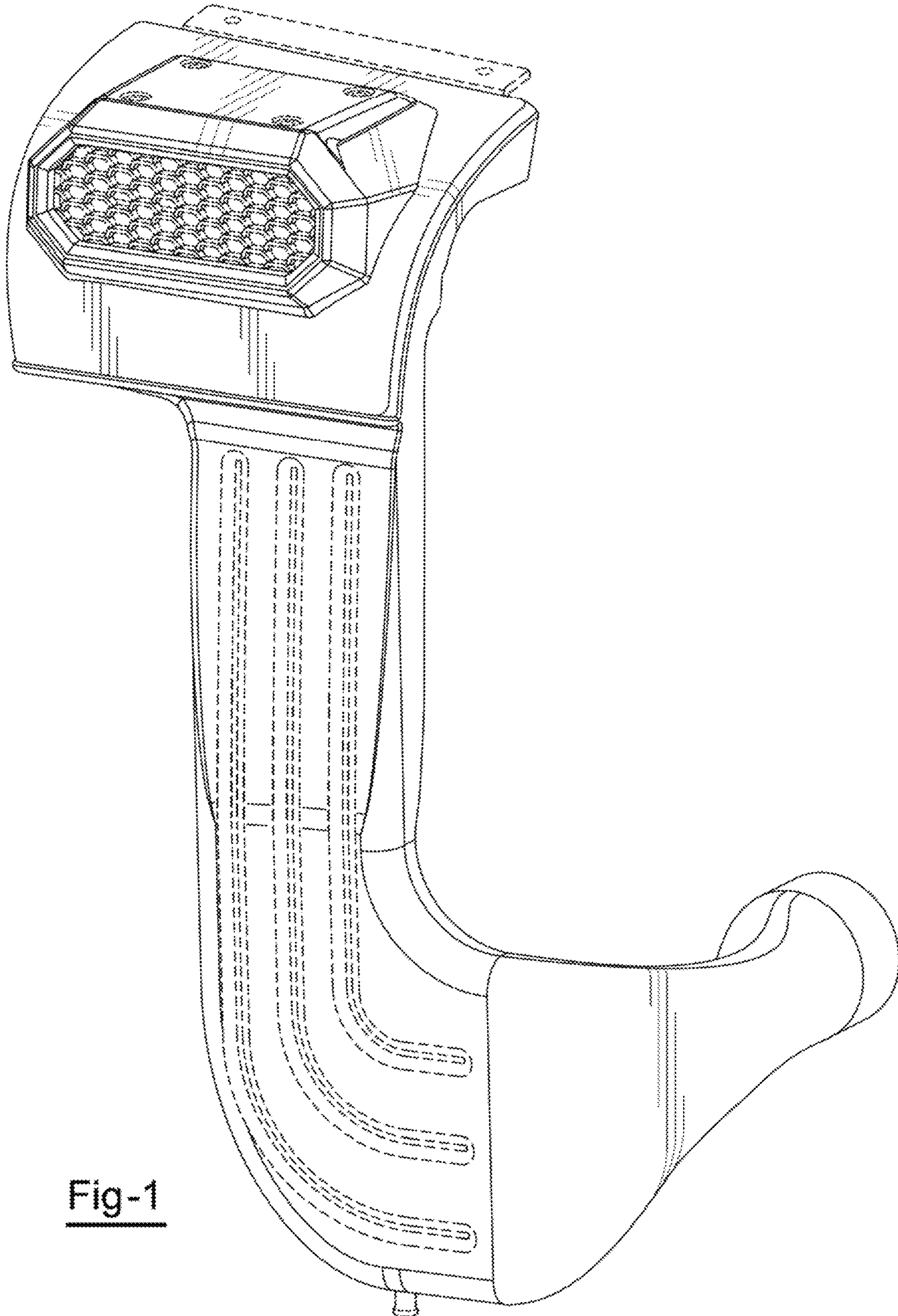


Fig-1

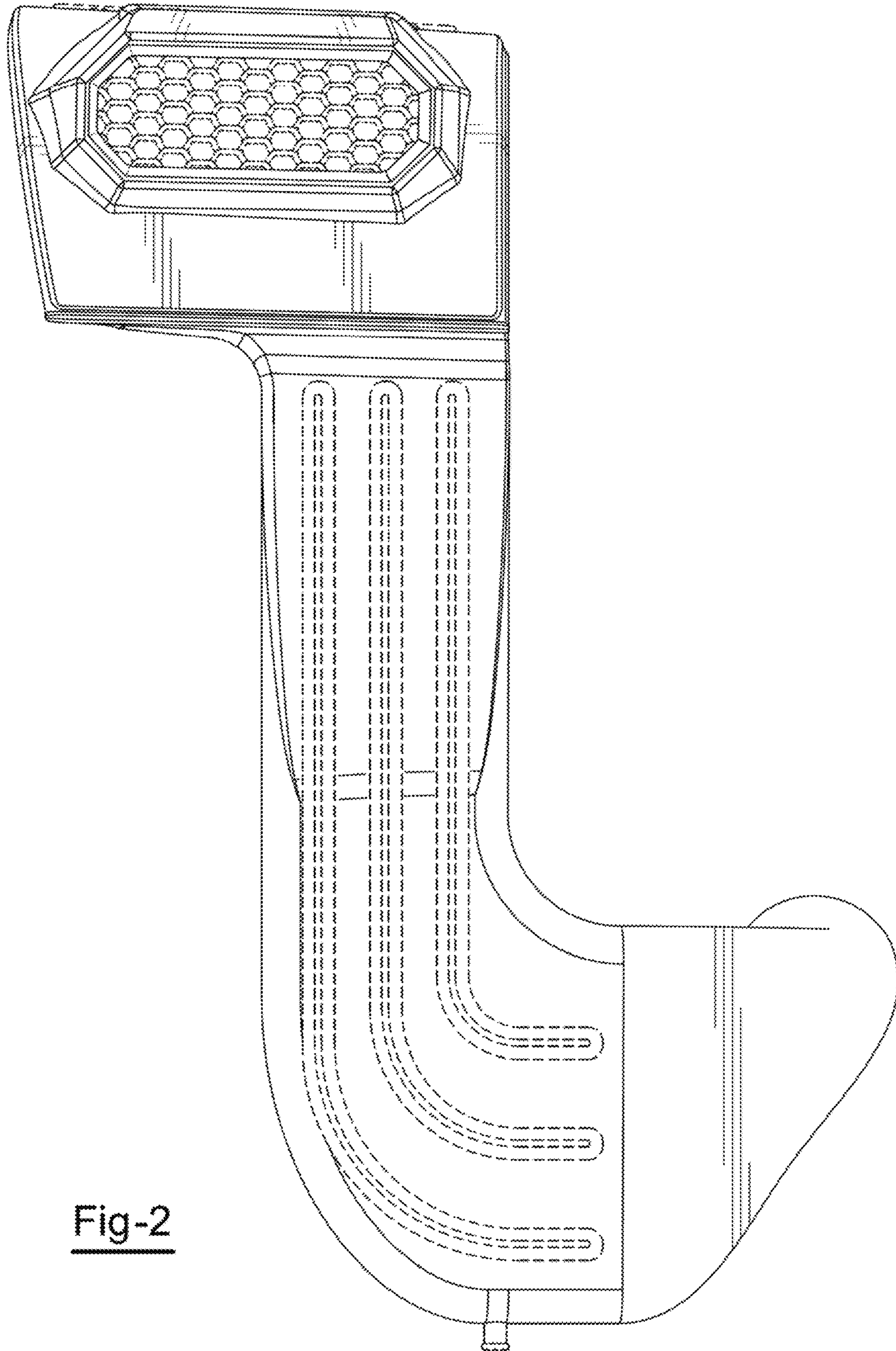


Fig-2

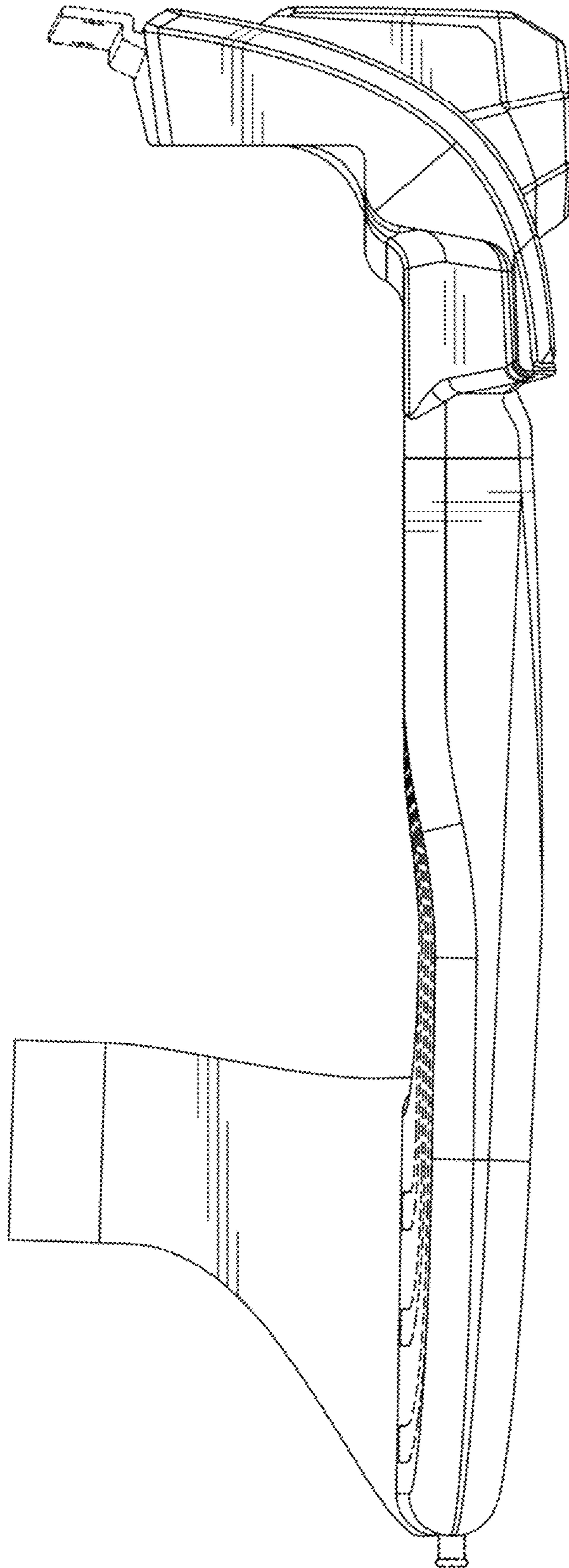


Fig-3

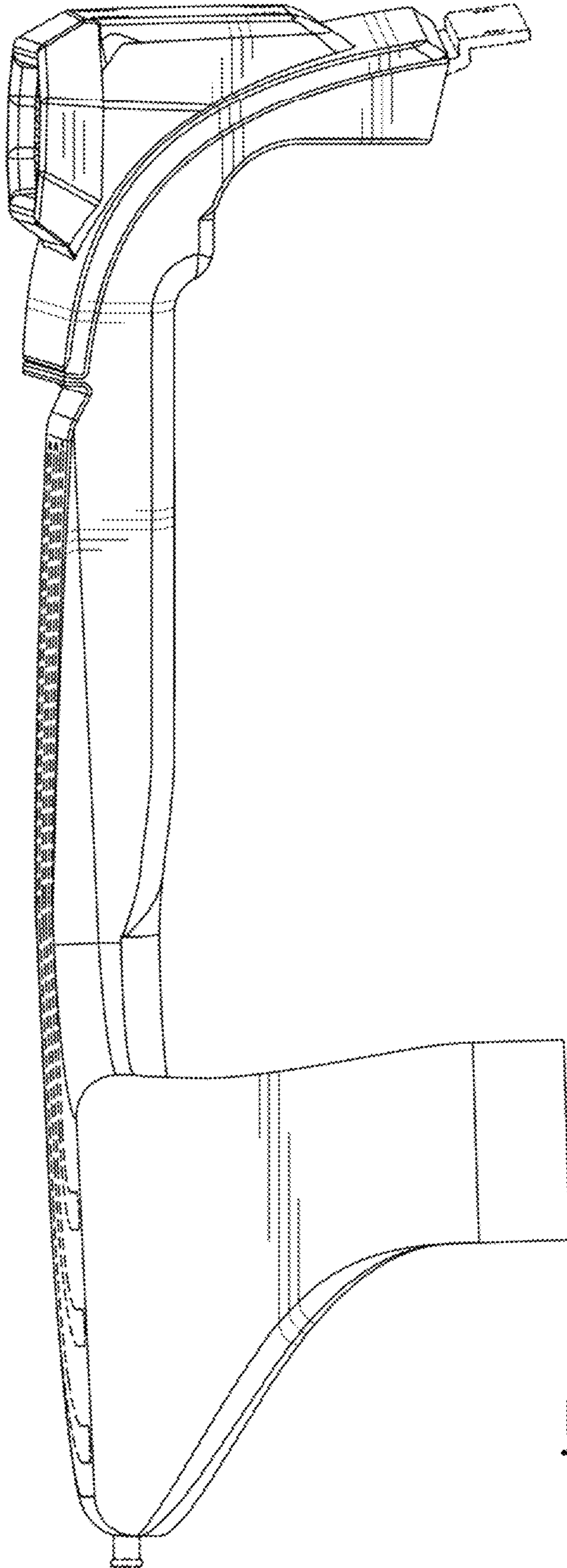


Fig-4

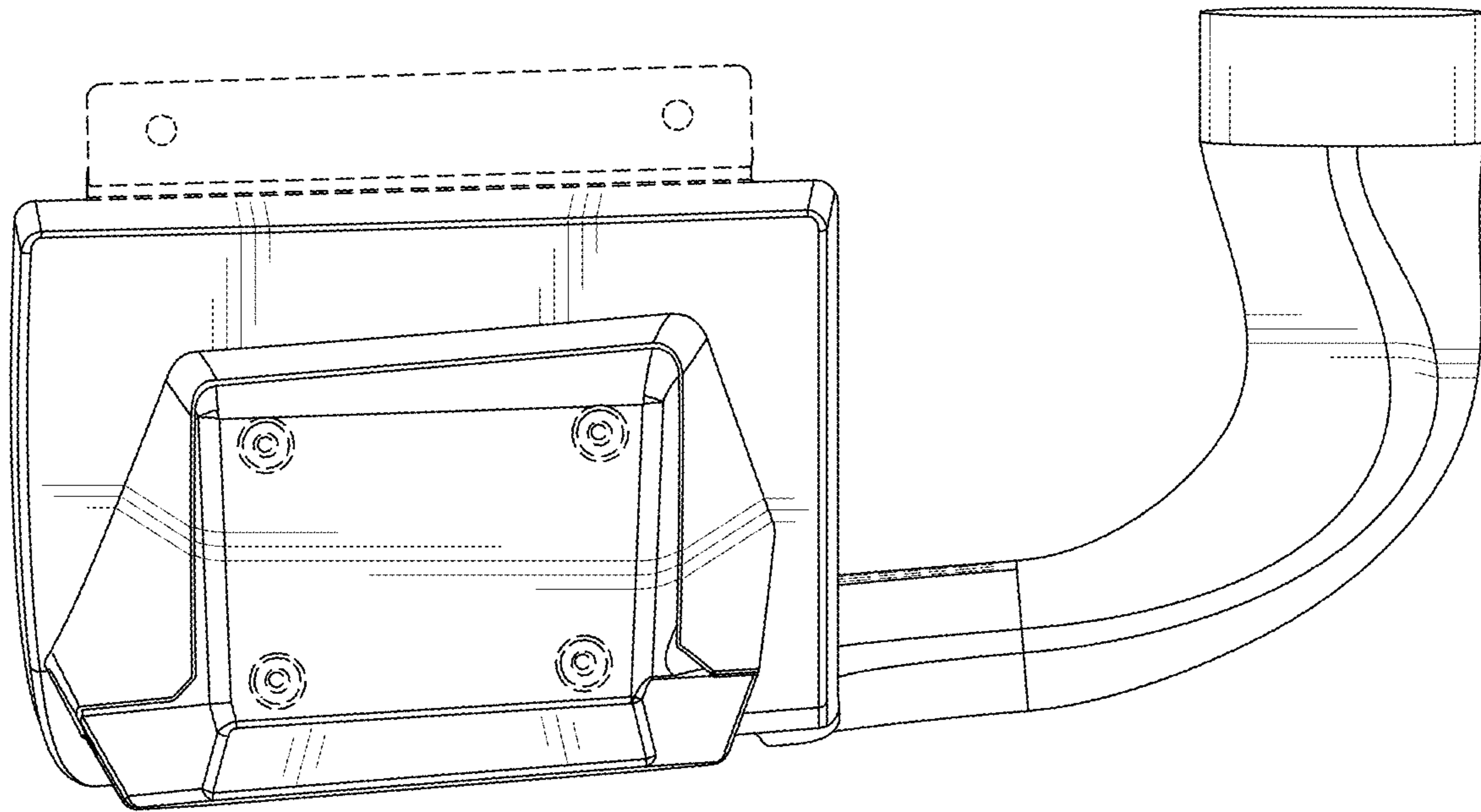


Fig-5

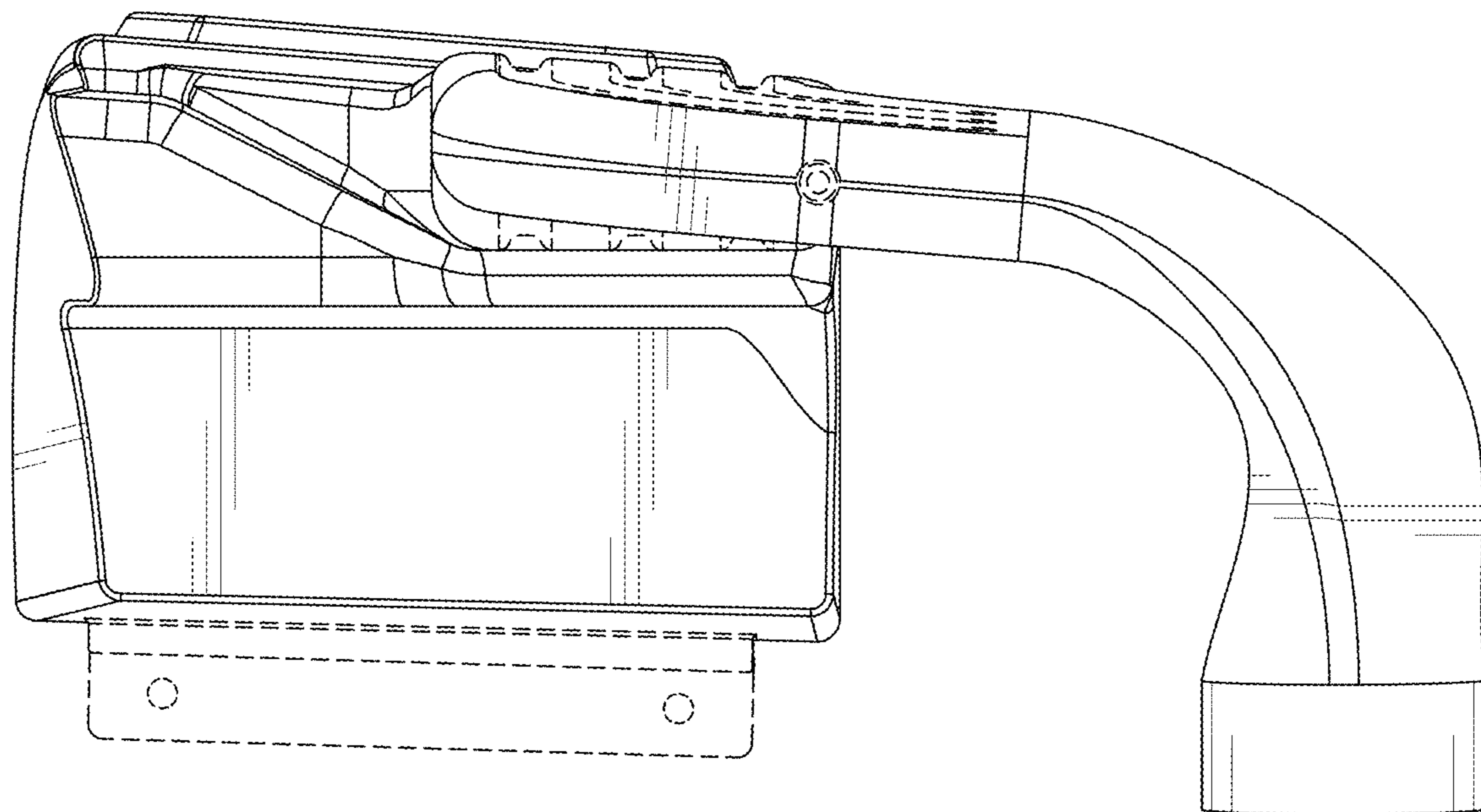


Fig-6

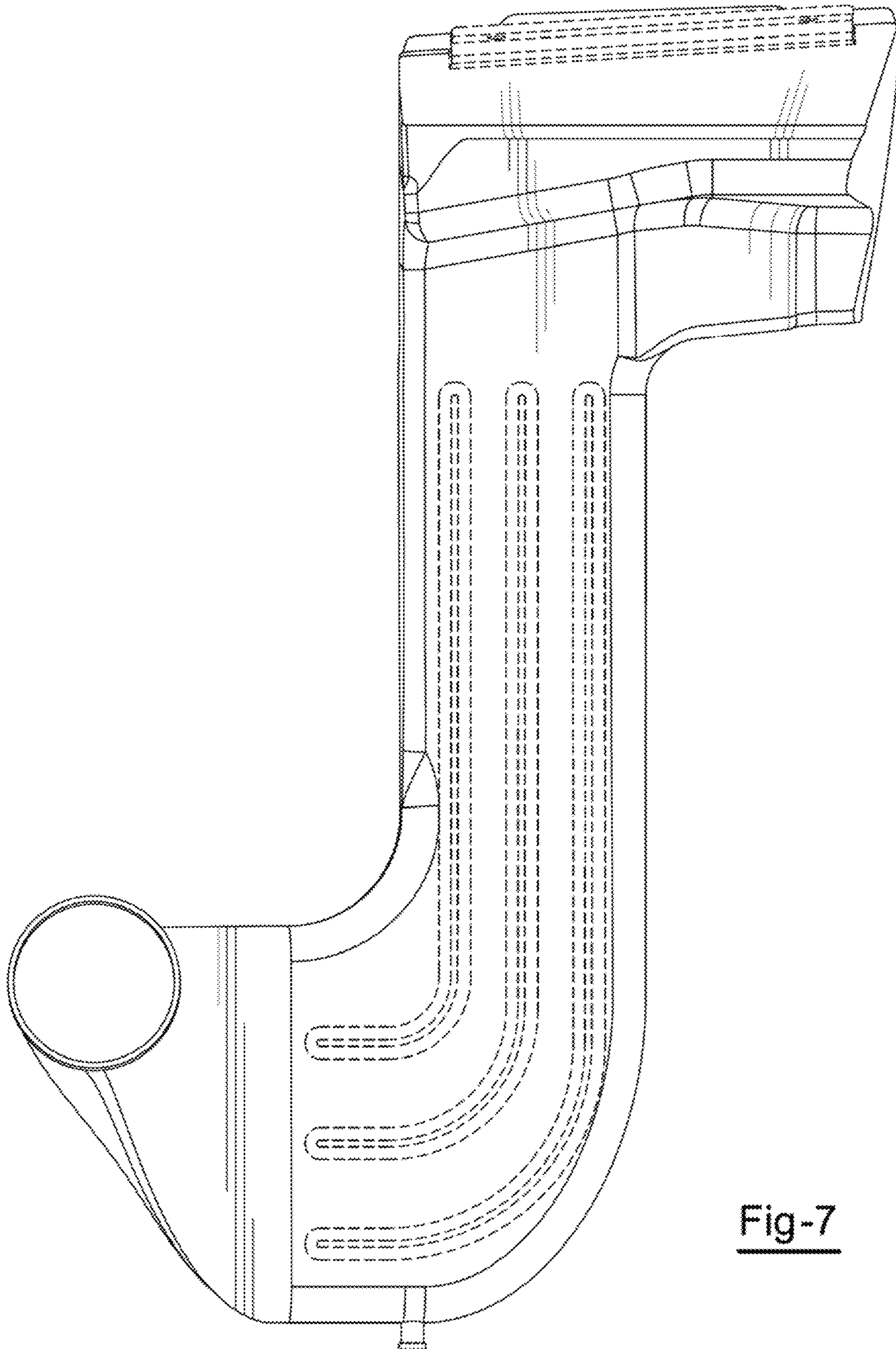


Fig-7