



US00D927553S

(12) **United States Design Patent**
Liang

(10) **Patent No.:** **US D927,553 S**

(45) **Date of Patent:** **** Aug. 10, 2021**

(54) **DOUBLE VALVE ELECTRONIC FUEL INJECTION (EFI) THROTTLE VALVE**

2015/0337743 A1* 11/2015 Cowan F02D 11/10
261/64.2

2015/0337767 A1* 11/2015 Khan B01F 3/04
261/64.1

(71) Applicant: **Huayi Mechanical and Electrical Co., Ltd.**, Fujian Province (CN)

2019/0170070 A1* 6/2019 Shehan F02D 9/105
2019/0345883 A1* 11/2019 Bell F02M 69/043

(72) Inventor: **Shijin Liang**, Fujian Province (CN)

* cited by examiner

(73) Assignee: **Huayi Mechanical and Electrical Co., Ltd.**, Fujian Province (CN)

Primary Examiner — Ania Aman

(74) *Attorney, Agent, or Firm* — CKC & Partners Co., LLC

(**) Term: **15 Years**

(21) Appl. No.: **29/697,195**

(57) **CLAIM**

(22) Filed: **Jul. 5, 2019**

The ornamental design for a double valve electronic fuel injection (EFI) throttle valve, as shown and described.

(51) **LOC (13) Cl.** **15-01**

(52) **U.S. Cl.**
USPC **D15/5**

DESCRIPTION

(58) **Field of Classification Search**

USPC D15/1, 2, 3, 4, 5, 6, 7
CPC F02M 69/52; F02M 69/043; F02M 69/462;
F02M 69/54; F02M 63/0056; F02M
63/02; F02M 51/005; F02D 9/1035; F02D
9/105; F02D 35/0084

FIG. 1 is a perspective view of the double valve electronic fuel injection (EFI) throttle valve showing my new design; FIG. 2 is a front elevational view thereof; FIG. 3 is a rear elevational view thereof; FIG. 4 is a left side elevational view thereof; FIG. 5 is a right side elevational view thereof; FIG. 6 is a top plan view thereof; and, FIG. 7 is a bottom plan view thereof.

See application file for complete search history.

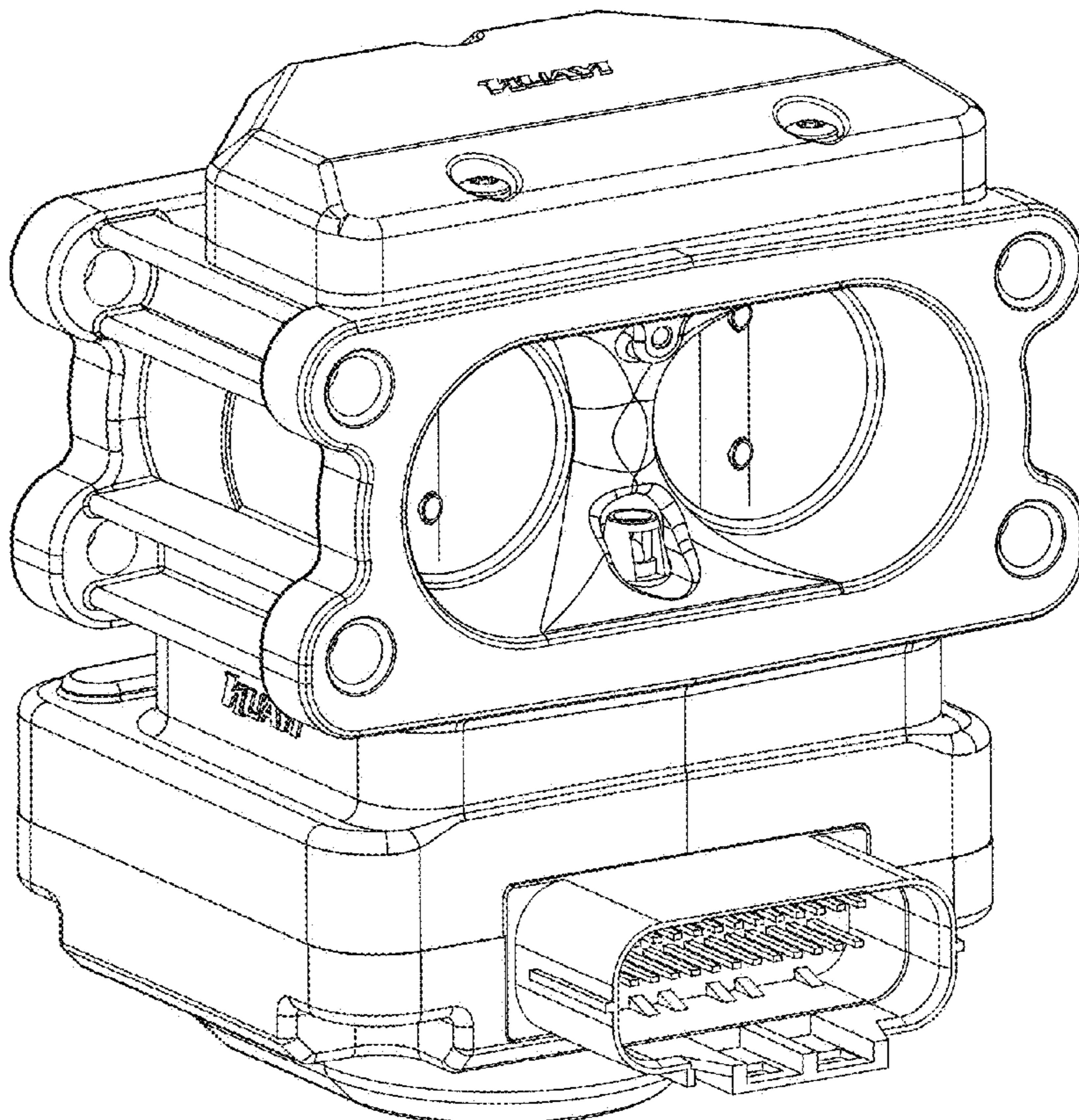
The broken lines in the drawings illustrate portions of the double valve electronic fuel injection (EFI) throttle valve that form no part of the claimed design.

(56) **References Cited**

U.S. PATENT DOCUMENTS

D868,838 S * 12/2019 Liang D15/5
2010/0263618 A1* 10/2010 Keefover F02D 9/1035
123/190.1

1 Claim, 7 Drawing Sheets



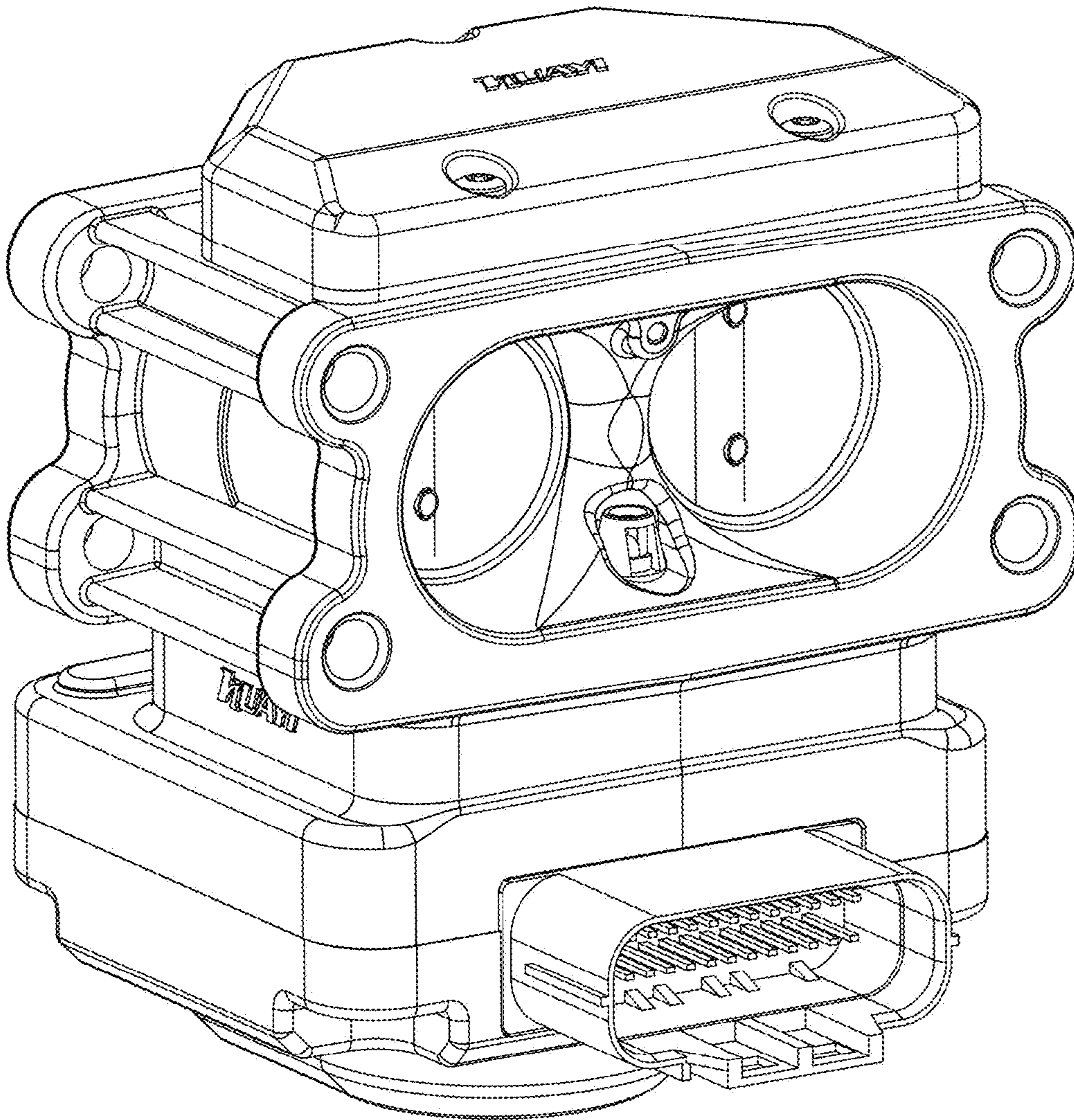


Fig. 1

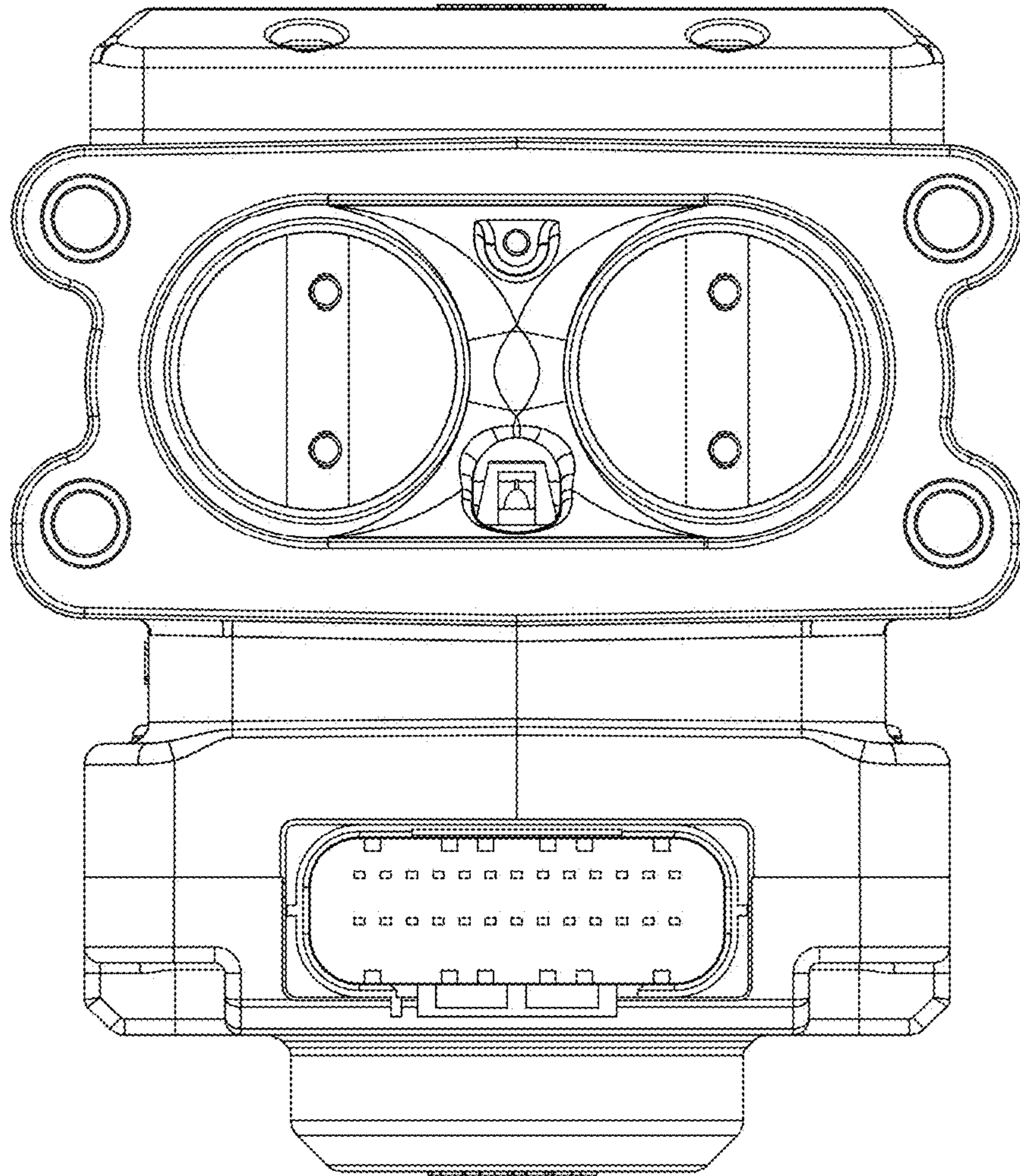


Fig. 2

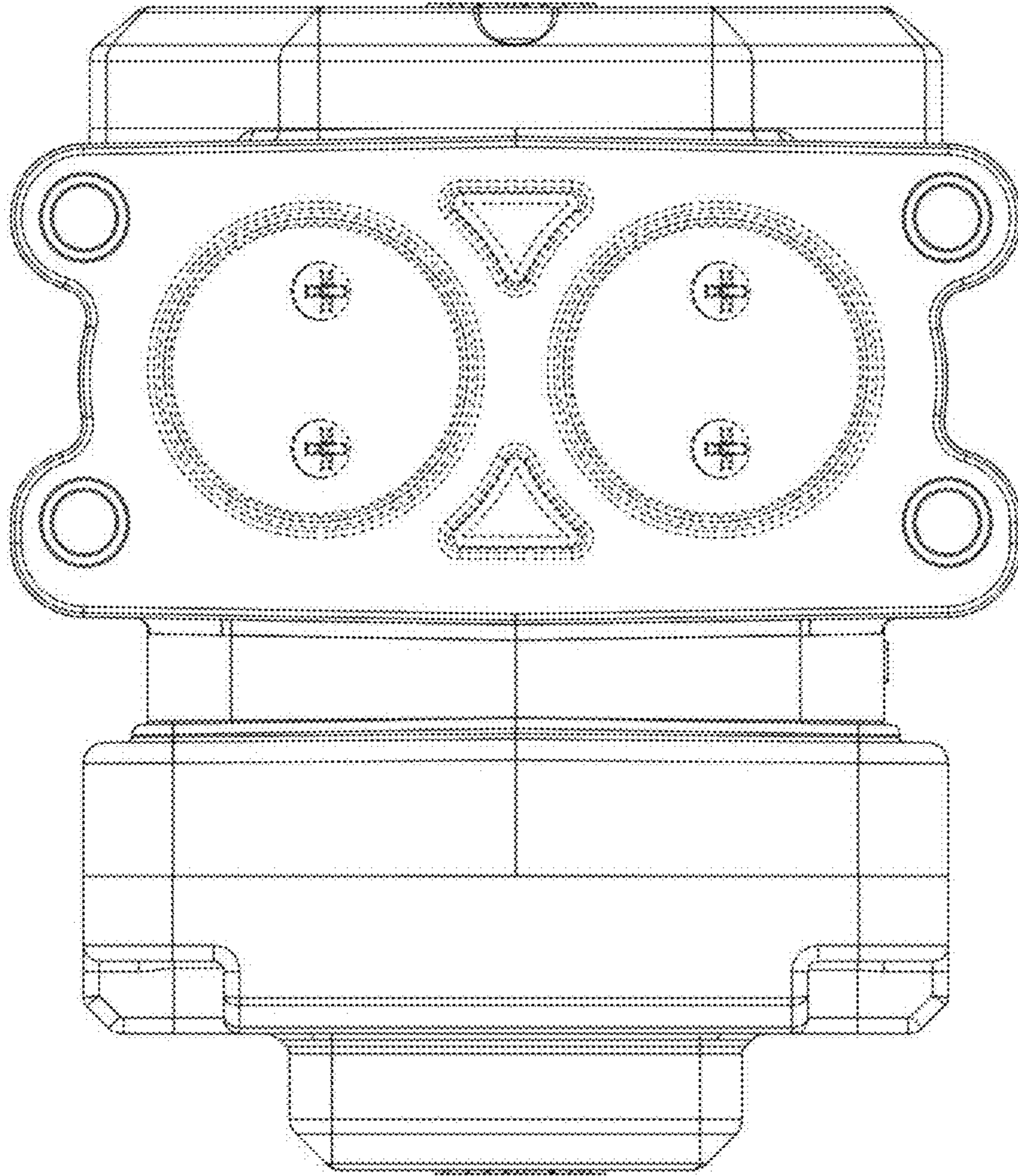


Fig. 3

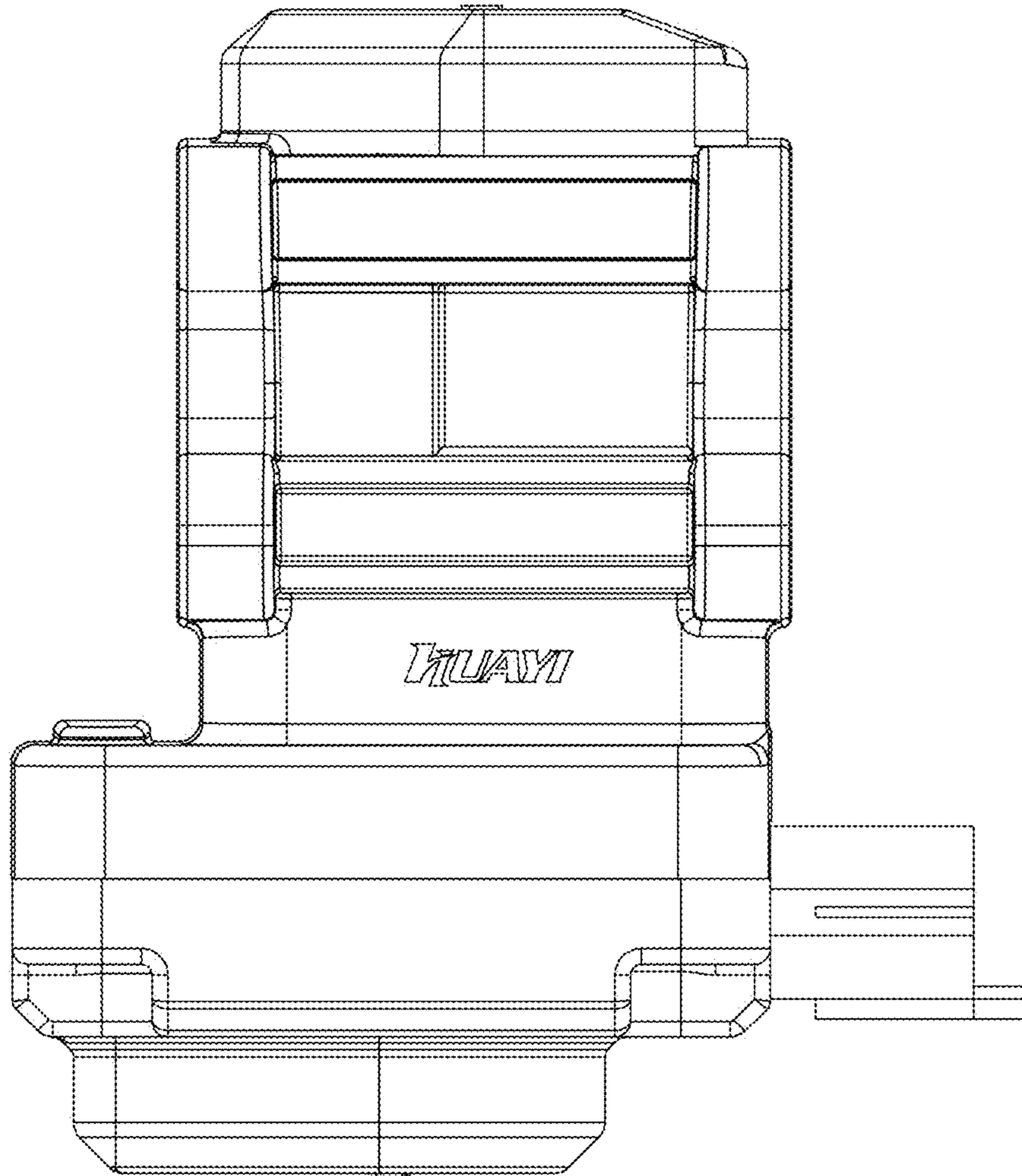


Fig. 4



Fig. 5

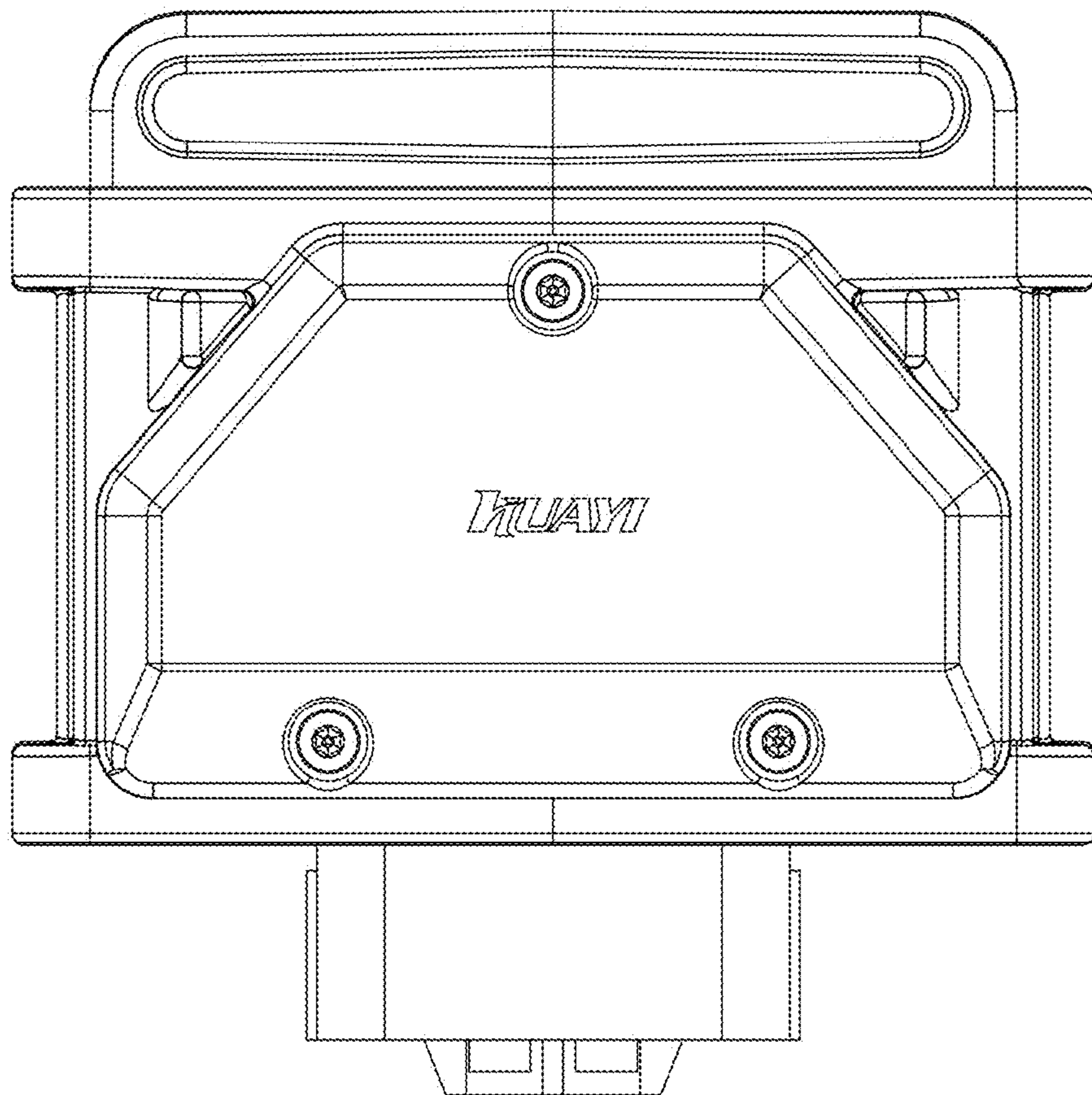


Fig. 6

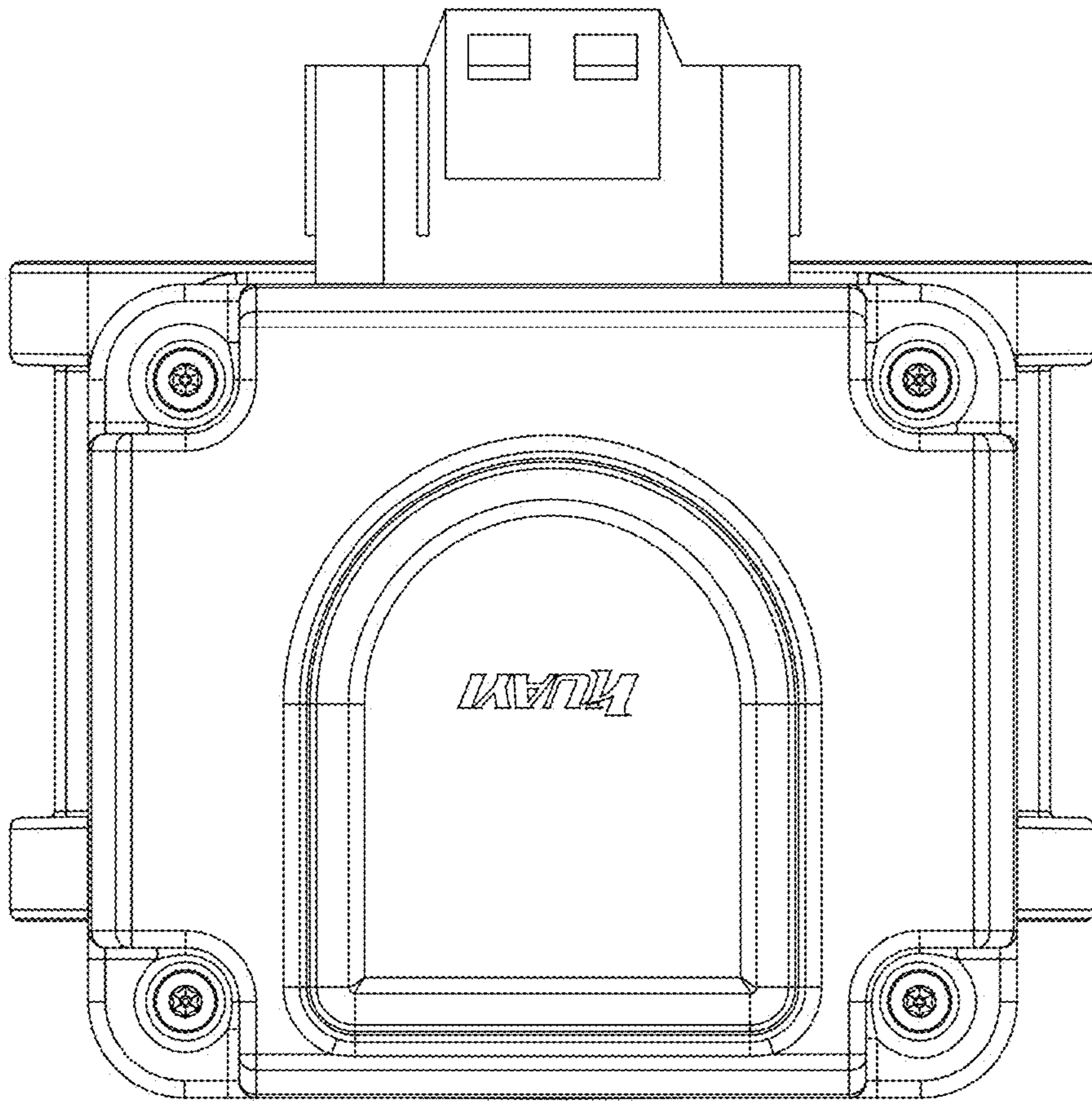


Fig. 7