



US00D927552S

(12) **United States Design Patent**
Tan

(10) **Patent No.:** **US D927,552 S**

(45) **Date of Patent:** **** Aug. 10, 2021**

(54) **MOTOR SHAFT**

(71) Applicant: **NINGBO LIYANG NEW MATERIAL COMPANY LIMITED**,
Ningbo (CN)

(72) Inventor: **Baoguo Tan**, Ningbo (CN)

(**) Term: **15 Years**

(21) Appl. No.: **29/670,223**

(22) Filed: **Nov. 14, 2018**

(51) **LOC (13) Cl.** **15-01**

(52) **U.S. Cl.**
USPC **D15/5**

(58) **Field of Classification Search**
USPC D15/5, 7, 17, 122, 138; D8/86, 400, 499;
D32/25; D24/145-147, 152
CPC H02K 7/00; H02K 5/1735; H02K 7/003;
H02K 7/085; H02K 7/088; F16D 1/08;
B60L 1/003; B62M 6/60; B63H 20/14
See application file for complete search history.

(56) **References Cited**

U.S. PATENT DOCUMENTS

D263,308 S *	3/1982	Miller	180/249
D273,556 S *	4/1984	Henry	D8/86
D287,631 S *	1/1987	Anspach, Jr.	D24/147
D358,119 S *	5/1995	Winter	D12/160
D382,472 S *	8/1997	Davies	D8/400
D397,437 S *	8/1998	Hlavicska	D24/146
D430,171 S *	8/2000	Burch	D15/17
D438,545 S *	3/2001	Burch	D15/17
6,461,111 B1 *	10/2002	Haugen	F16D 1/08 403/371
D504,139 S *	4/2005	Johnson	D15/122
D509,226 S *	9/2005	Van Norman	D15/7
D516,087 S *	2/2006	Van Norman	D15/5
D774,117 S *	12/2016	Wingarter	D15/138
D814,633 S *	4/2018	Eder	D24/152

D854,151 S *	7/2019	Shelton, IV	D24/145
D857,315 S *	8/2019	Chavana, Jr.	D32/25
D881,759 S *	4/2020	Turner	D12/114

(Continued)

OTHER PUBLICATIONS

SUNfree, Tubular Motor Type 42mm 12V Brushed DC Motor, (site visited Jan. 19, 2021), Alibaba.com, URL:<https://www.alibaba.com/product-detail/Tubular-Motor-Type-42mm-12V-Brushed_62220842685.html> (Year: 2021).*

(Continued)

Primary Examiner — Sheryl Lane
Assistant Examiner — Mark T. Philipps
(74) *Attorney, Agent, or Firm* — W&K IP

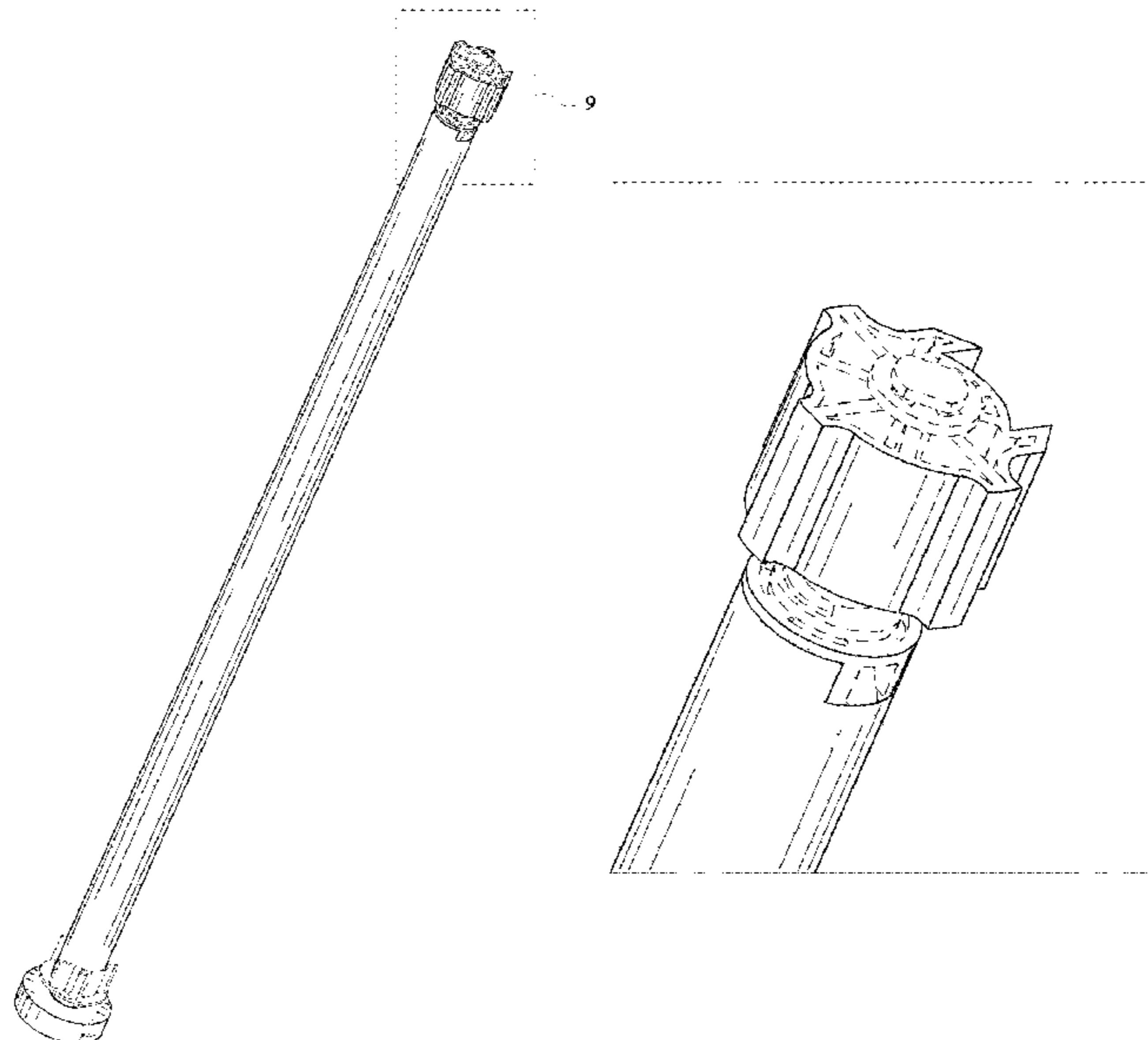
(57) **CLAIM**

The ornamental design for a motor shaft, as shown and described.

DESCRIPTION

FIG. 1 is a perspective view of a motor shaft;
FIG. 2 is a front view thereof;
FIG. 3 is a rear view thereof;
FIG. 4 is a left view thereof;
FIG. 5 is a right view thereof;
FIG. 6 is a top view thereof;
FIG. 7 is a bottom view thereof;
FIG. 8 is another perspective thereof;
FIG. 9 is an enlarged view of portion 9 shown in FIG. 1; and,
FIG. 10 is an enlarged view of portion 10 shown in FIG. 8.
The dashed or broken lines shown in the drawings depict portions of the motor shaft in which the design is embodied that form no part of the claimed design.
The long dash short dash broken line depicts the area from which the enlarged views on FIGS. 9 and 10 that are taken on FIGS. 1 and 8 and form no part of the claimed design.

1 Claim, 10 Drawing Sheets



(56)

References Cited

U.S. PATENT DOCUMENTS

D885,447 S * 5/2020 Boulet Gendron D15/138
D896,280 S * 9/2020 Horning D15/5
D899,322 S * 10/2020 Carlini D12/159
2015/0076956 A1 * 3/2015 Sakamoto H02K 7/003
310/216.121
2017/0343046 A1 * 11/2017 Park E21B 17/03

OTHER PUBLICATIONS

Zemismart, Tuya 2.4G WiFi Motorized Roller Blinds Motor for 38MM, (site visited Jan. 19, 2021), Amazon.com, URL:<<https://www.amazon.com/Motorized-Roller-36-38MM-Shutter-Control/dp/B0836J7QT9>> (Year: 2021).*

* cited by examiner

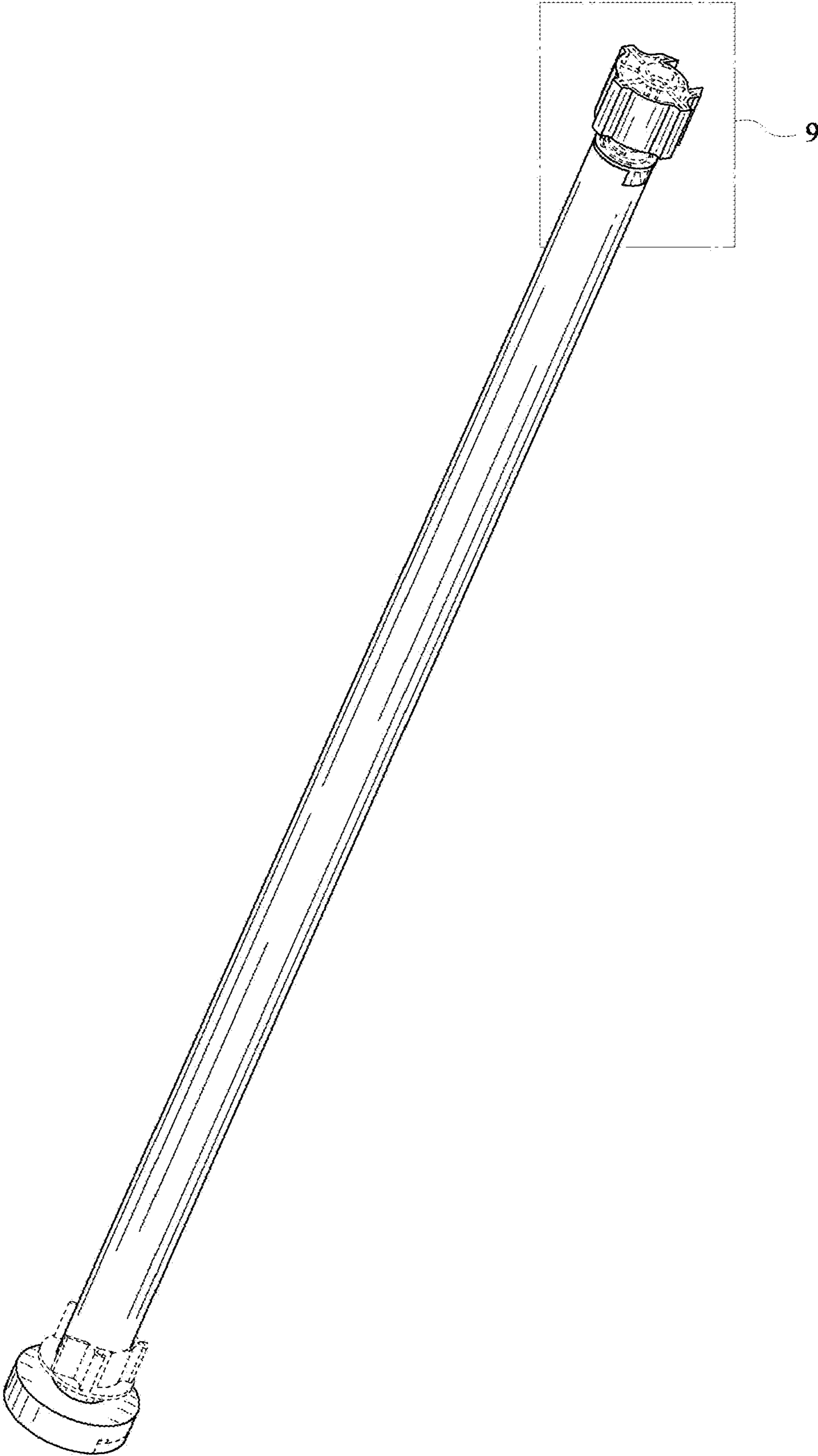


FIG. 1

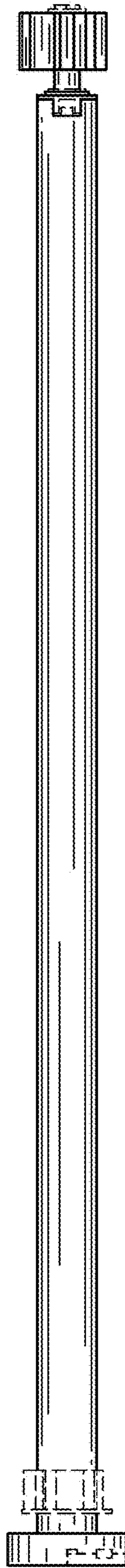


FIG. 2

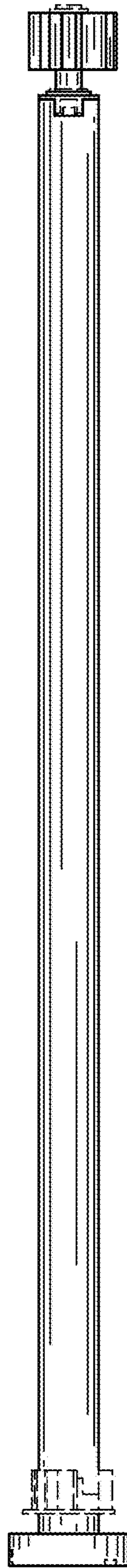


FIG. 3

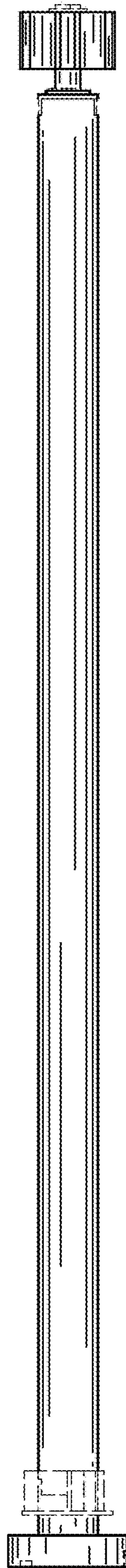


FIG. 4

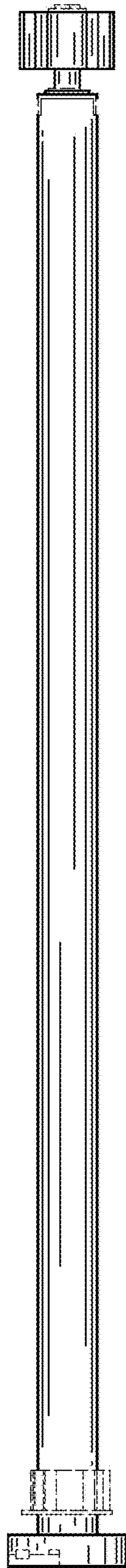


FIG. 5

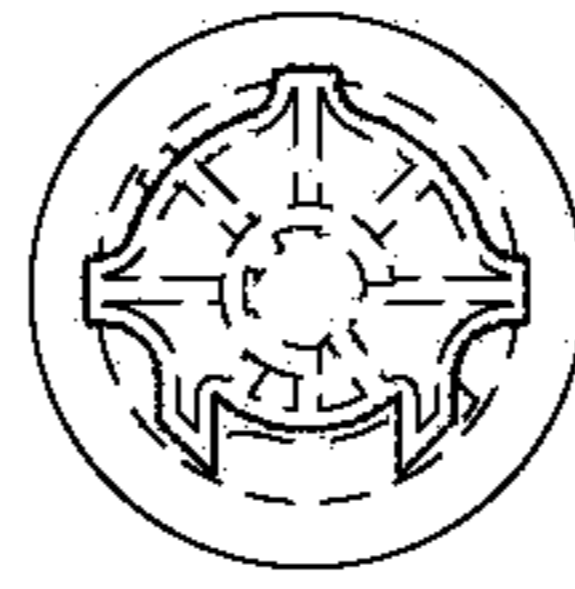


FIG. 6

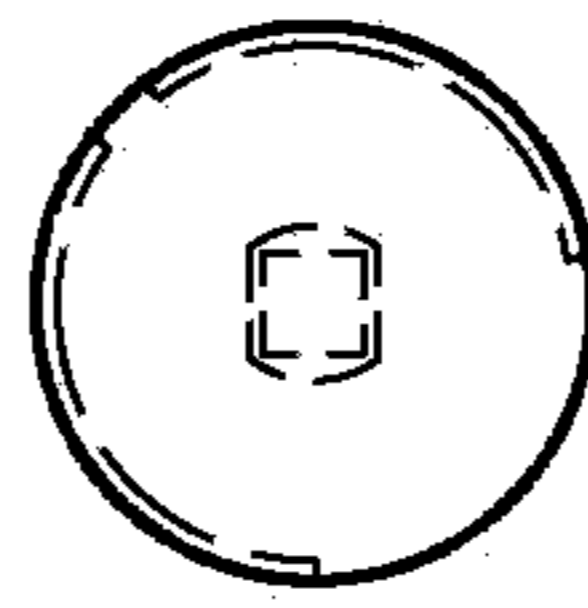


FIG. 7

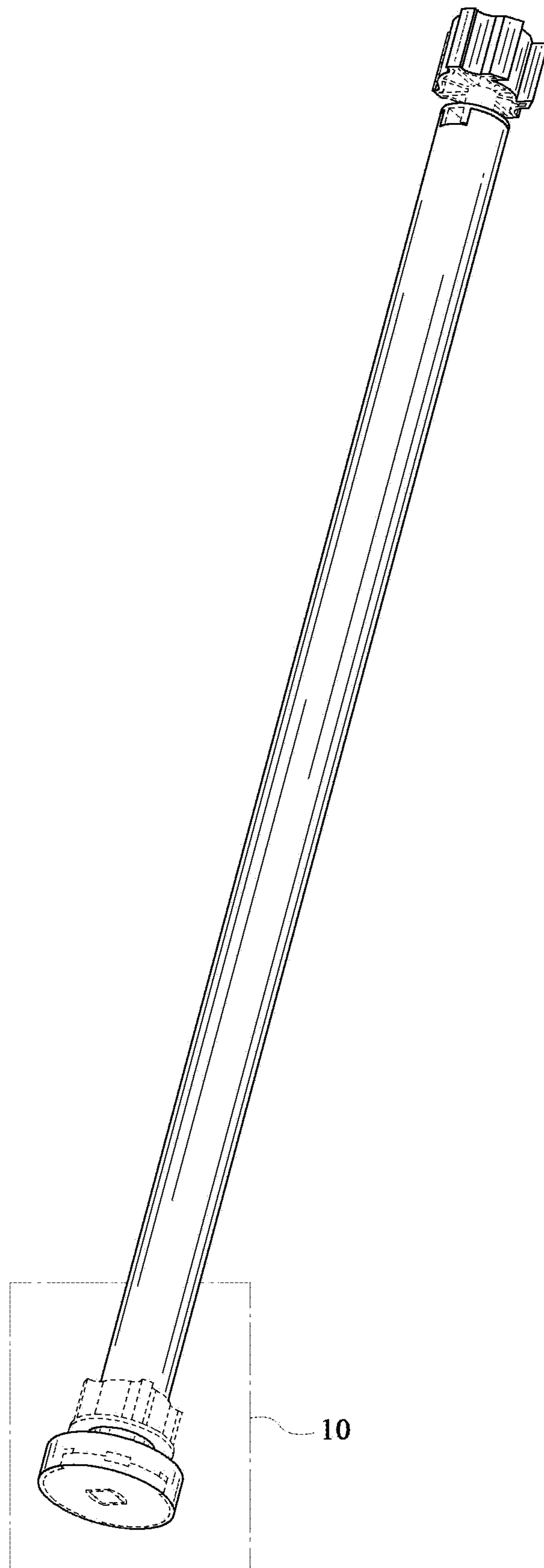


FIG. 8

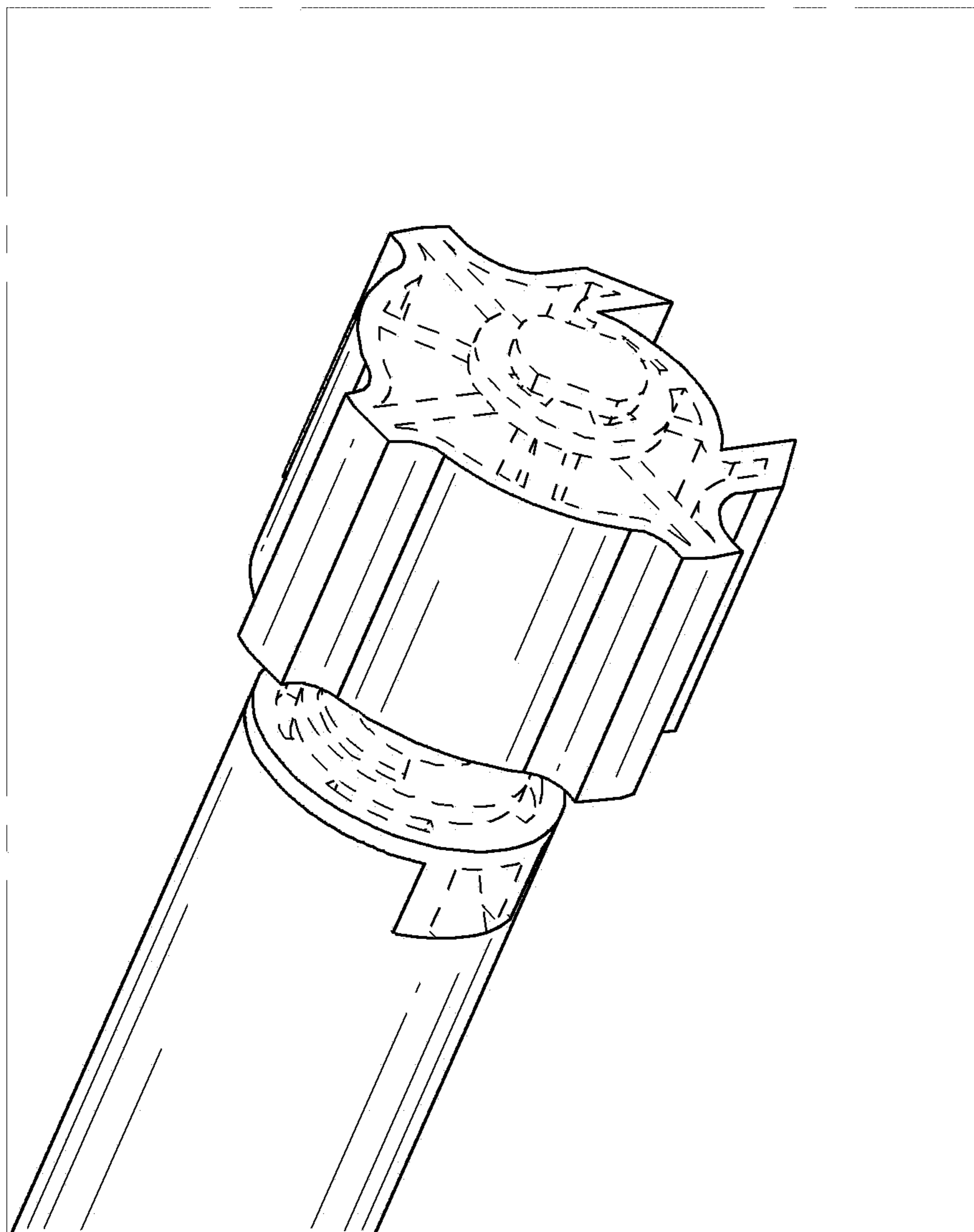


FIG. 9

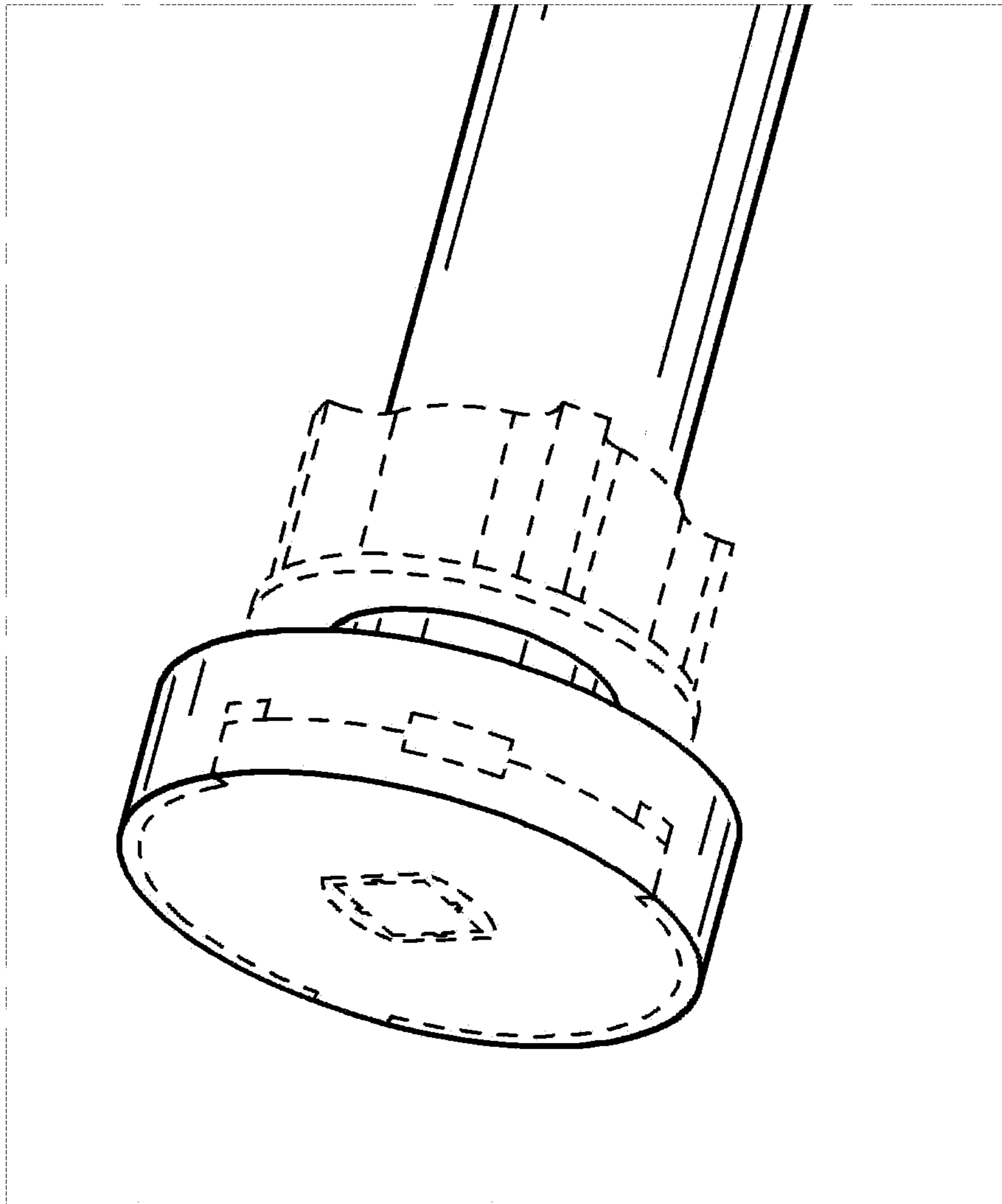


FIG. 10