



US00D927551S

(12) **United States Design Patent** (10) **Patent No.:** **US D927,551 S**  
**Hudnall et al.** (45) **Date of Patent:** **\*\* Aug. 10, 2021**

(54) **ADAPTER**  
(71) Applicant: **Holley Performance Products, Inc.**,  
Bowling Green, KY (US)  
(72) Inventors: **Coy Hudnall**, Bowling Green, KY  
(US); **Kevin Tracy**, Port Charlotte, FL  
(US)

4,802,902 A 2/1989 Bauerle et al.  
4,826,411 A 5/1989 Gaeth  
4,929,260 A 5/1990 Bauerle  
D371,138 S \* 6/1996 Waskiewicz ..... 384/428  
D565,118 S \* 3/2008 Luehne ..... D20/99  
D574,852 S 8/2008 Grant  
7,533,661 B2 5/2009 Baasch  
D605,998 S \* 12/2009 McEwen ..... D12/207  
D654,094 S 2/2012 Dralle

(Continued)

(73) Assignee: **Holley Performance Products, Inc.**,  
Bowling Green, KY (US)

**FOREIGN PATENT DOCUMENTS**

(\*\*) Term: **15 Years**

AU 201910220 3/2019  
AU 201911579 4/2019

(Continued)

(21) Appl. No.: **29/597,917**

**OTHER PUBLICATIONS**

(22) Filed: **Mar. 21, 2017**

(51) **LOC (13) Cl.** ..... **15-01**

Design U.S. Appl. No. 29/599,276 entitled "Air Intake Housing"  
filed Mar. 31, 2017.

(52) **U.S. Cl.**

USPC ..... **D15/5**; D8/382

(Continued)

(58) **Field of Classification Search**

USPC ..... D15/3, 5; D8/382, 396; D23/266, 263,  
D23/262

CPC ..... B60K 13/06; F02M 35/10354; F02M  
21/0281; F02M 35/1034; F02M  
35/10347; F02M 35/10032; F02M  
35/10019; F02M 35/10078; F02M  
35/10085; F02M 35/10091; F02D  
2007/025; F02D 2009/0206; F02D  
2009/0255; F02D 2009/0298; F02D  
2009/0205; F02D 2009/0254; F02D  
2009/0276; F02D 2009/0283; F02D  
2200/0404; F02D 9/08; F02D 19/0618;  
F02D 41/004; F02B 2031/003

See application file for complete search history.

*Primary Examiner* — Sandra Snapp  
*Assistant Examiner* — Ieisha N Price  
(74) *Attorney, Agent, or Firm* — Middleton Reutlinger

(57) **CLAIM**

The ornamental design for an adapter, as shown and  
described.

**DESCRIPTION**

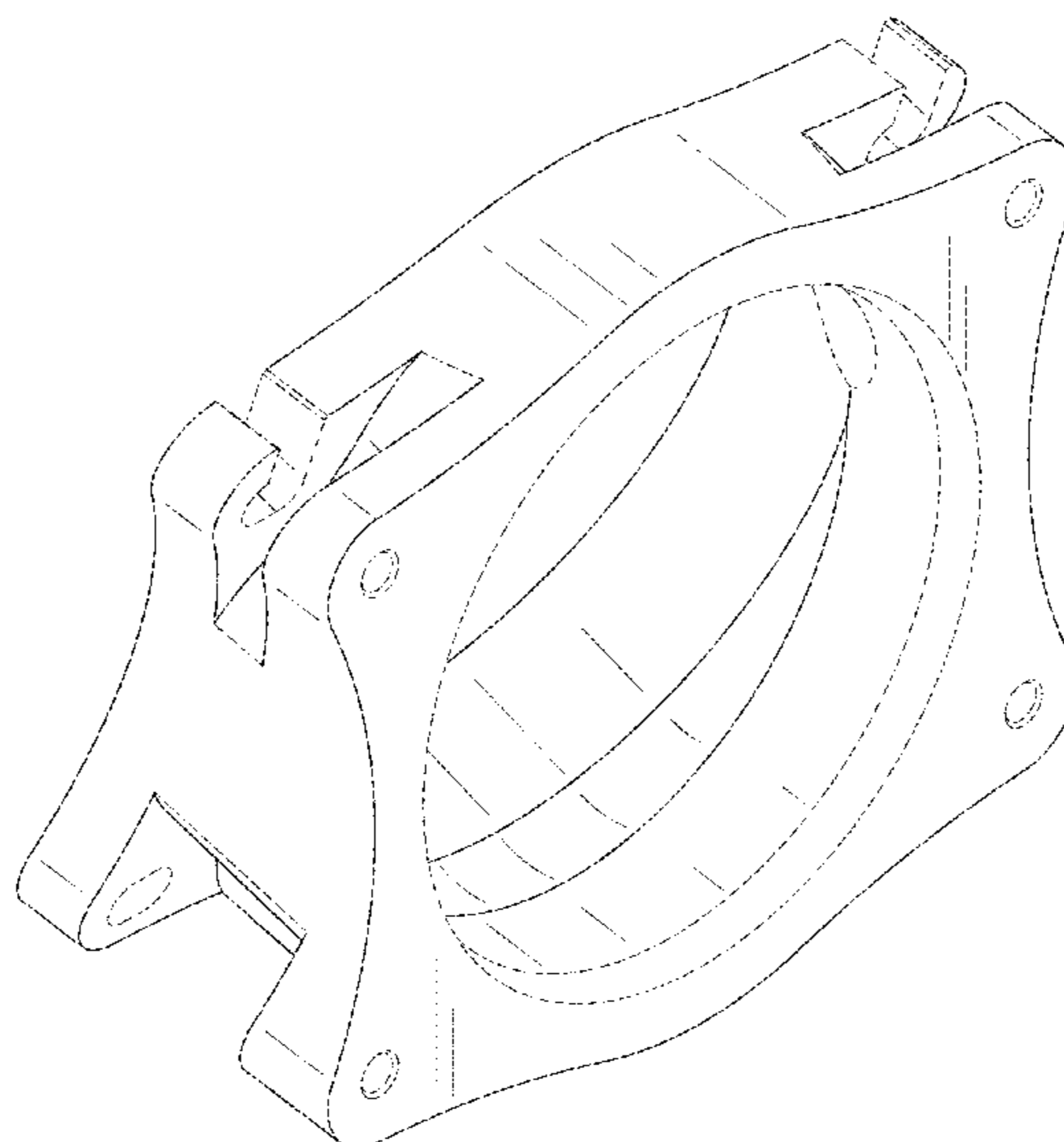
FIG. 1 is a perspective view of an adapter;  
FIG. 2 is a front view of the adapter of FIG. 1;  
FIG. 3 is a rear view of the adapter of FIG. 1;  
FIG. 4 is a right side of the adapter of FIG. 1;  
FIG. 5 is a left side of the adapter of FIG. 1;  
FIG. 6 is a top view of the adapter of FIG. 1; and,  
FIG. 7 is a bottom view of the adapter of FIG. 1.  
The broken lines in the drawings illustrate portions of the  
adapter and form no part of the claimed design.

(56) **References Cited**

**U.S. PATENT DOCUMENTS**

2,854,278 A \* 9/1958 Zerhan, Jr. .... B60K 13/06  
293/113  
4,681,178 A 7/1987 Brown

**1 Claim, 7 Drawing Sheets**



(56)

References Cited

U.S. PATENT DOCUMENTS

8,453,617 B1 \* 6/2013 Olson ..... F02M 35/10019  
123/184.46  
8,596,874 B2 \* 12/2013 Shaikh ..... F16C 35/04  
384/537  
D713,423 S \* 9/2014 Kimball ..... D15/5  
D714,630 S \* 10/2014 Irgens ..... D8/394  
D739,921 S \* 9/2015 Crochet, Sr. .... D23/262  
D802,628 S \* 11/2017 Fischetto ..... D15/5  
9,861,922 B1 1/2018 Townsend  
D810,139 S \* 2/2018 Chan ..... D15/5  
D812,100 S \* 3/2018 Litchfield ..... D15/5  
10,385,811 B2 8/2019 Newman et al.  
D865,919 S \* 11/2019 Lippka ..... D23/262  
2003/0089870 A1 \* 5/2003 Borasch ..... F02D 11/10  
251/129.11  
2004/0154574 A1 \* 8/2004 Menin ..... F02M 35/10078  
123/184.42  
2005/0045137 A1 \* 3/2005 Schweiger ..... F02M 35/10078  
123/184.21  
2005/0183414 A1 \* 8/2005 Bien ..... F01N 13/1872  
60/323  
2005/0188969 A1 \* 9/2005 Wheeler, III ..... F02M 29/14  
123/590  
2006/0191505 A1 \* 8/2006 Doko ..... F02M 35/10347  
123/184.59  
2006/0254552 A1 \* 11/2006 Brachos ..... F02M 35/10216  
123/184.46  
2009/0241886 A1 \* 10/2009 Kameda ..... F02M 35/10216  
123/184.21  
2012/0186552 A1 \* 7/2012 Niakan ..... F02M 35/10354  
123/184.21  
2014/0311143 A1 \* 10/2014 Speidel ..... F02M 35/10321  
60/599  
2014/0352643 A1 \* 12/2014 Clarke ..... F02M 35/10354  
123/184.21

2016/0090954 A1 \* 3/2016 Amann ..... F02M 35/10078  
285/124.4  
2016/0305380 A1 \* 10/2016 Justice ..... F02M 35/10354  
2016/0348624 A1 \* 12/2016 Allard ..... F02M 35/10354  
2017/0096976 A1 \* 4/2017 Hall ..... F02M 35/10354  
2017/0167451 A1 \* 6/2017 Tomlinson ..... F02M 35/10262  
2017/0335809 A1 11/2017 Newman et al.

FOREIGN PATENT DOCUMENTS

AU 201911581 4/2019  
WO 2016070165 5/2016

OTHER PUBLICATIONS

Design U.S. Appl. No. 29/583,805 entitled "Air Cleaner" filed Nov. 9, 2016.  
Design U.S. Appl. No. 29/599,278 entitled "Ornamental Component" filed Mar. 31, 2017.  
Design U.S. Appl. No. 29/597,917 entitled "Adapter" filed Mar. 21, 2017.  
U.S. Appl. No. 62/727,716 entitled "Pump Adapter" filed Sep. 6, 2018.  
Design U.S. Appl. No. 29/662,532 entitled "Pump Adapter" filed Sep. 6, 2018.  
Utility U.S. Appl. No. 16/553,619 entitled "Pump Adapter" filed Aug. 28, 2019.  
U.S. Appl. No. 62/872,520 entitled "Air Filter Adapter" filed Jul. 10, 2019.  
Radium Engineering, 20-0145 Fuel Pump Inlet Adapter Installation Instructions, Sep. 21, 2018 [publication date retrieved from Internet Wayback Machine on Oct. 8, 2019].  
www.efihardware.com, Walbro in Tank Fuel Pump Extension Kit, Mar. 31, 2015 [publication date retrieve from Internet Wayback Machine on Oct. 8, 2019].  
Design U.S. Appl. No. 29/658,294 entitled "Adapter" filed Jul. 30, 2018.

\* cited by examiner

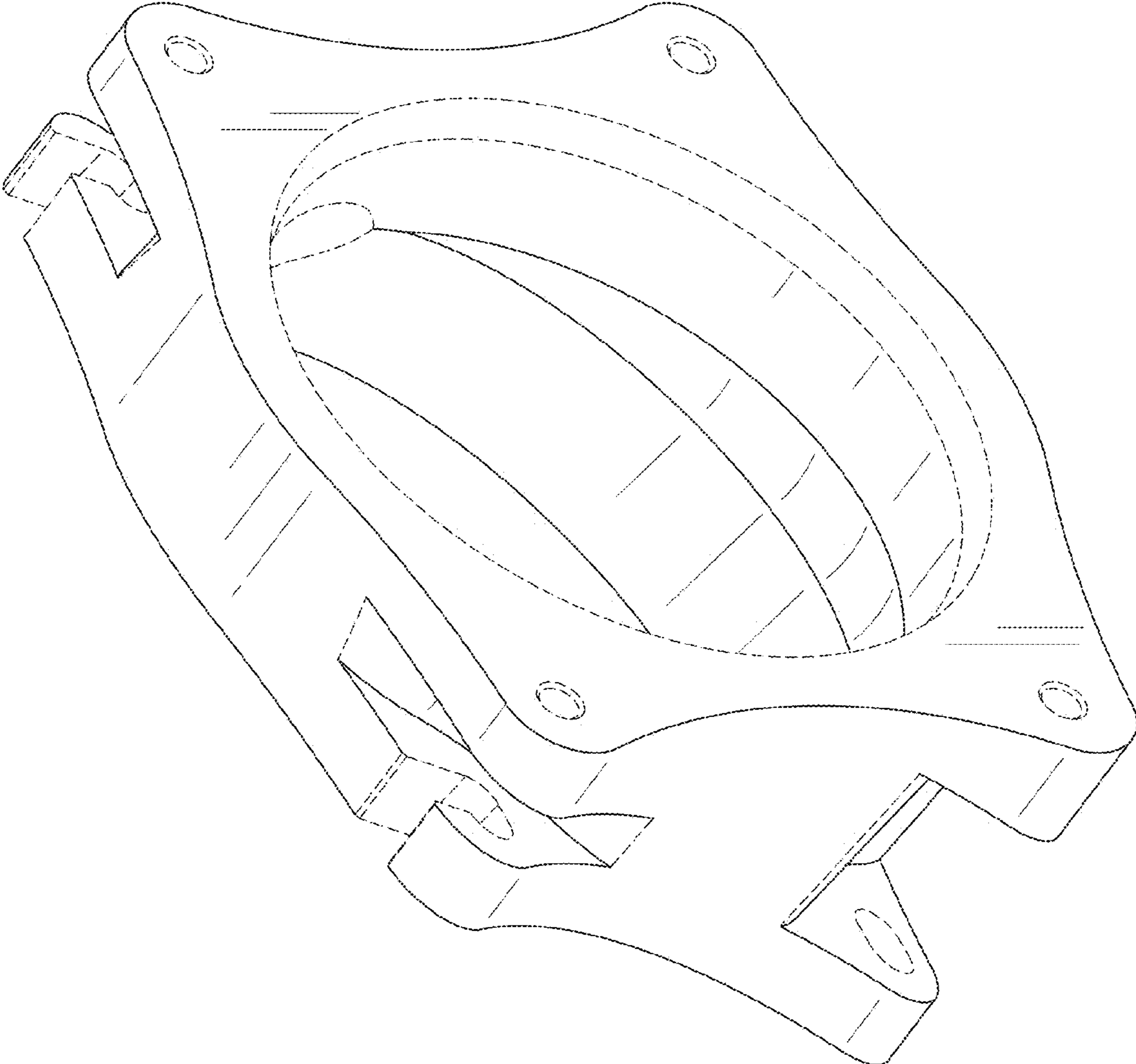


FIG. 1

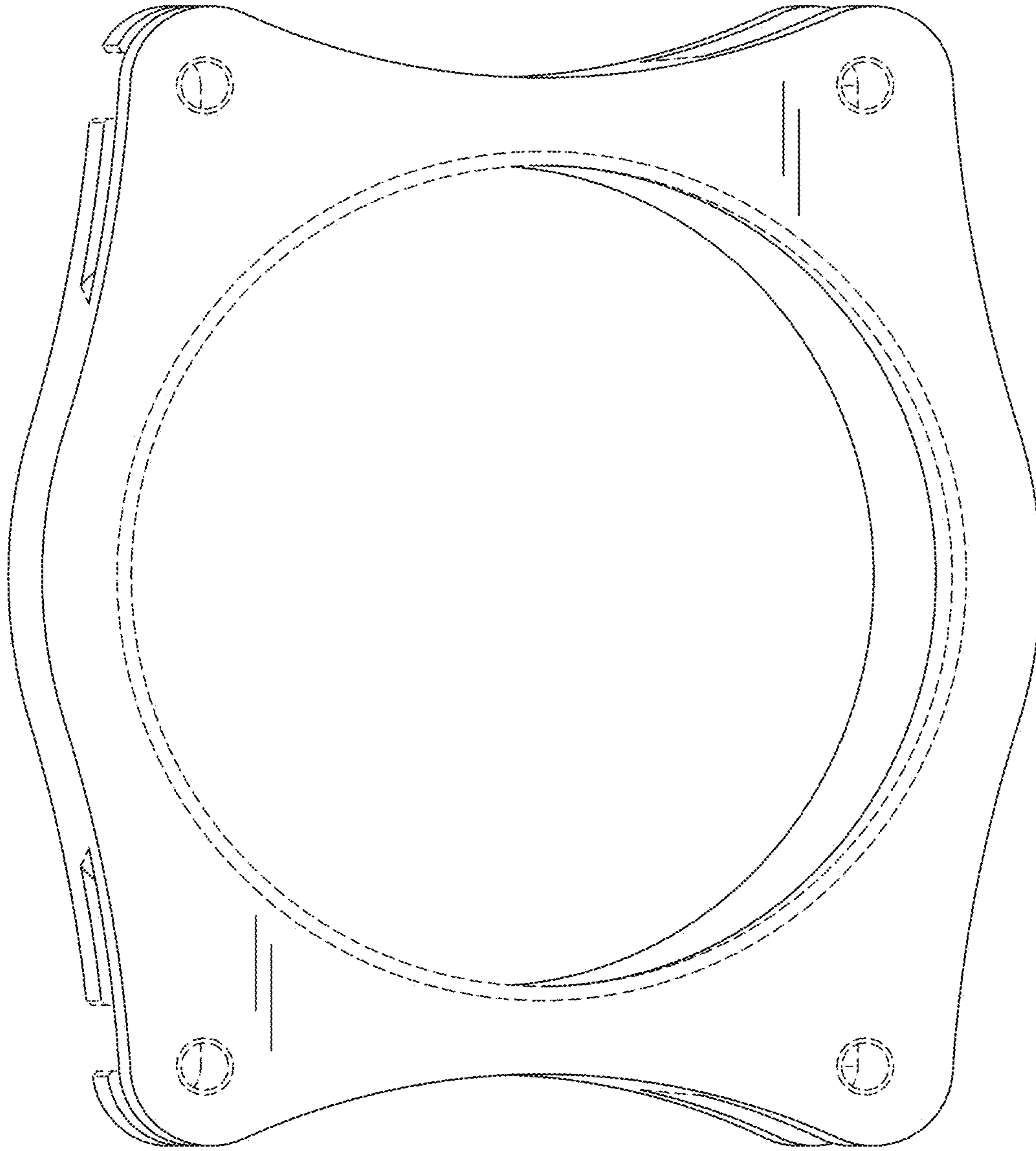


FIG. 2

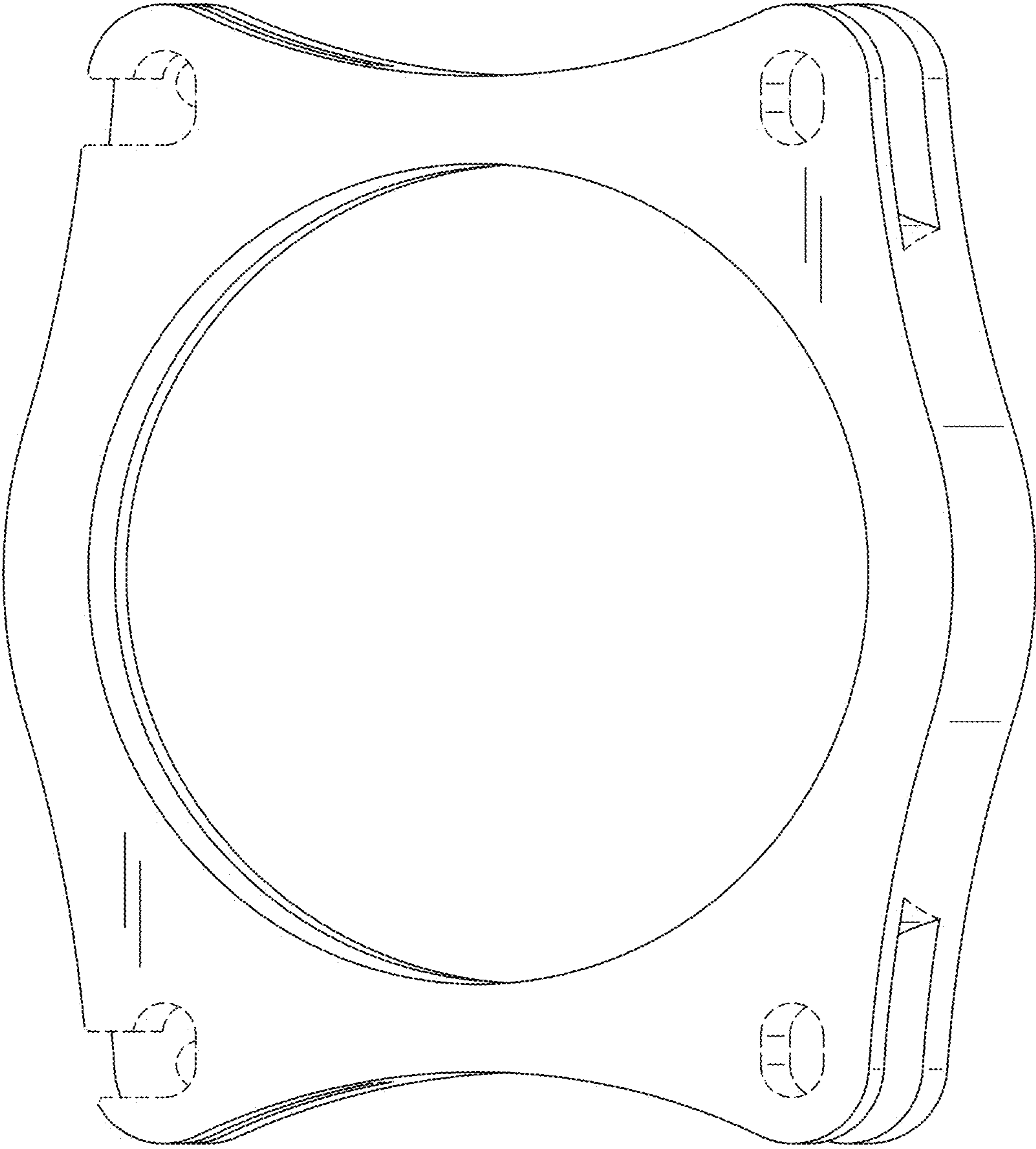


FIG. 3

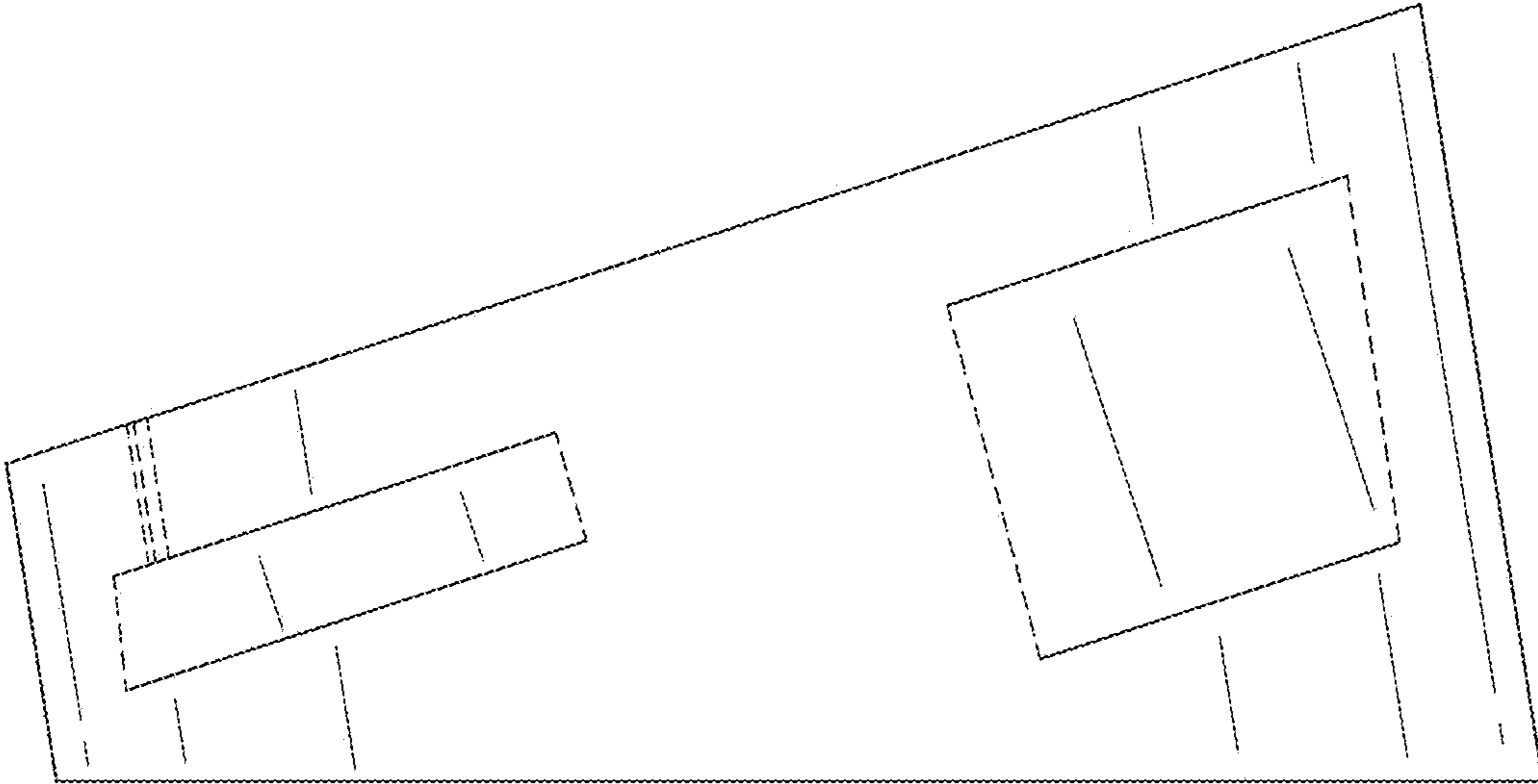


FIG. 4

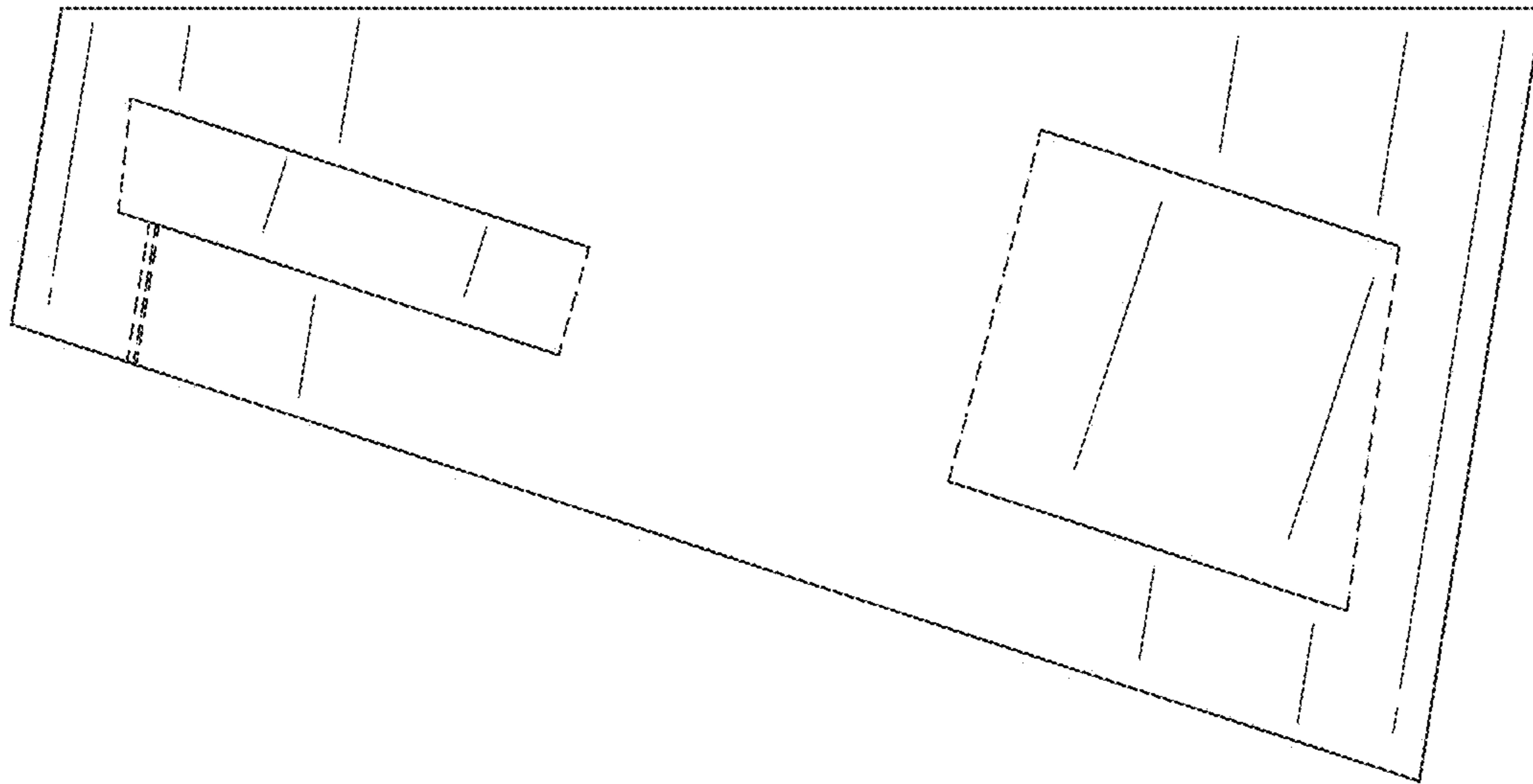


FIG. 5

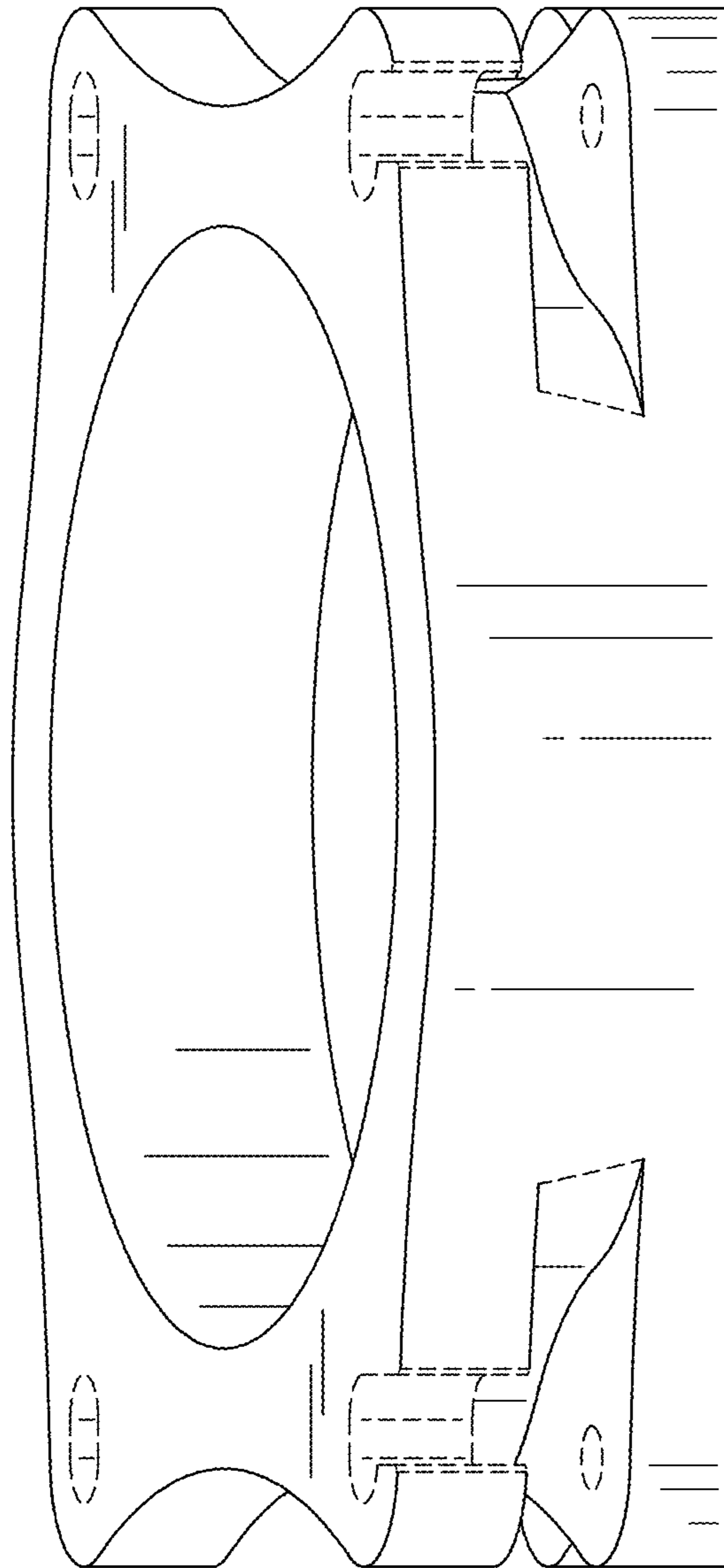


FIG. 6



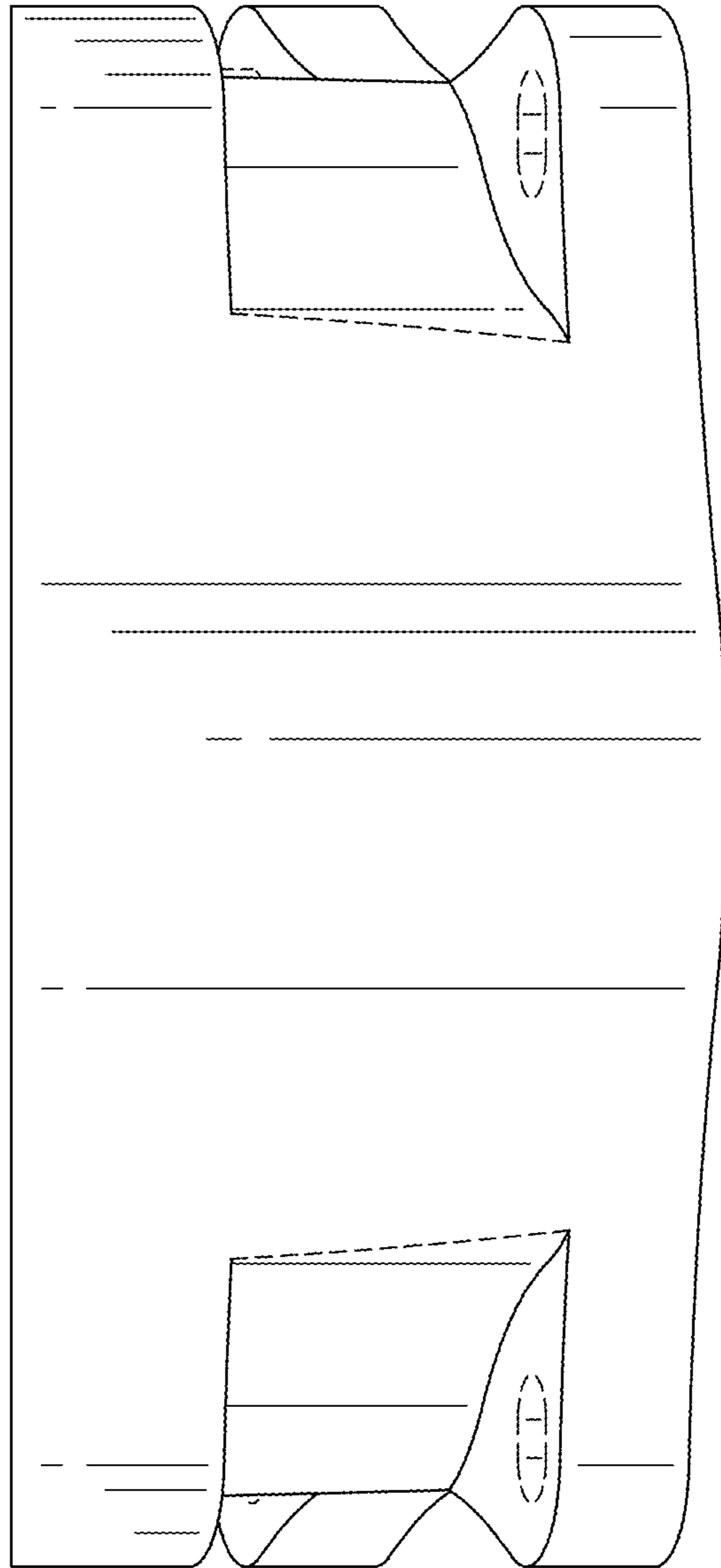


FIG. 7