

US00D927549S

(12) **United States Design Patent**
Bird et al.

(10) **Patent No.:** **US D927,549 S**

(45) **Date of Patent:** **** *Aug. 10, 2021**

- (54) **PLAYBACK DEVICE**
- (71) Applicant: **Sonos, Inc.**, Santa Barbara, CA (US)
- (72) Inventors: **Roland Bird**, Eindhoven (NL); **Niels van Hoof**, Eindhoven (NL); **Roger Swales**, Eindhoven (NL); **Mieko Kusano**, Santa Barbara, CA (US); **Tadeo T. Toulis**, Santa Barbara, CA (US); **Maximillian Burton**, Santa Barbara, CA (US); **Stefan Reichert**, Santa Barbara, CA (US)
- (73) Assignee: **Sonos, Inc.**, Santa Barbara, CA (US)
- (*) Notice: This patent is subject to a terminal disclaimer.
- (**) Term: **15 Years**
- (21) Appl. No.: **29/603,098**
- (22) Filed: **May 5, 2017**

D96,524 S *	8/1935	Adams	16/DIG. 2
D204,972 S *	6/1966	Schmidgalll	D19/20
4,865,321 A	9/1989	Nakagawa et al.	
D366,065 S *	1/1996	Lockard	D20/22
D455,755 S	4/2002	Levine et al.	
D500,807 S	1/2005	Noell et al.	
D508,388 S	8/2005	Aglassinger	
D512,988 S	12/2005	Green	
D560,656 S *	1/2008	Andre	D14/214
D560,685 S	1/2008	Lopez et al.	
D575,800 S *	8/2008	Kusano	D14/496
D575,801 S *	8/2008	Kusano	D14/496
D582,429 S *	12/2008	Kusano	D14/496
D637,682 S *	5/2011	Bentley	D22/108
D651,994 S	1/2012	Lundbom et al.	
8,152,019 B1	4/2012	Miller	
D687,010 S	7/2013	McManigal et al.	
D696,297 S	12/2013	Fang	
D705,871 S	5/2014	Jacobs et al.	
D715,761 S	10/2014	Kim et al.	
D719,976 S	12/2014	Bang et al.	
D721,061 S	1/2015	Burlingame et al.	
D726,223 S	4/2015	Guerrero et al.	
9,094,706 B2	7/2015	Reily et al.	
9,122,451 B2	9/2015	Calatayud	
9,143,861 B2	9/2015	Schul et al.	
D742,382 S	11/2015	Shao et al.	
9,195,432 B2	11/2015	Reilly et al.	
D746,795 S	1/2016	Burlingame et al.	
9,232,288 B2	1/2016	Lien et al.	
D754,751 S *	4/2016	Kusano	D14/203.3
9,307,307 B2	4/2016	Florczak et al.	
D756,330 S *	5/2016	Silvera	D14/204
D760,694 S	7/2016	Kim et al.	
D763,818 S *	8/2016	Yang	D14/204
D768,602 S *	10/2016	Reichert	D14/204
D781,263 S *	3/2017	Tong	D14/204
D789,990 S *	6/2017	Bird	D14/203.3
D789,991 S	6/2017	Bird et al.	
D806,678 S *	1/2018	Reichert	D14/209.1
D810,137 S	2/2018	Tsang et al.	
D815,062 S *	4/2018	Bird	D14/214
D827,671 S *	9/2018	Nam	D14/496
D831,646 S *	10/2018	Kusano	D14/358
D855,587 S *	8/2019	Reichert	D14/221
D884,030 S *	5/2020	Bird	D14/496
2017/0085972 A1 *	3/2017	Reichert	H04R 1/025

Related U.S. Application Data

- (63) Continuation of application No. 29/499,305, filed on Aug. 13, 2014, now Pat. No. Des. 789,991.
- (51) **LOC (13) Cl.** **14-03**
- (52) **U.S. Cl.**
USPC **D14/496; D14/203**
- (58) **Field of Classification Search**
USPC D14/203.1, 204, 209.1, 210, 215, 216, D14/217, 299, 432, 496; D20/15, 22, 27, D20/28, 99; D21/324, 333
CPC A63F 9/00; A63F 9/24; A63F 13/00; A63F 13/02; A63F 13/08; A63F 13/25
See application file for complete search history.

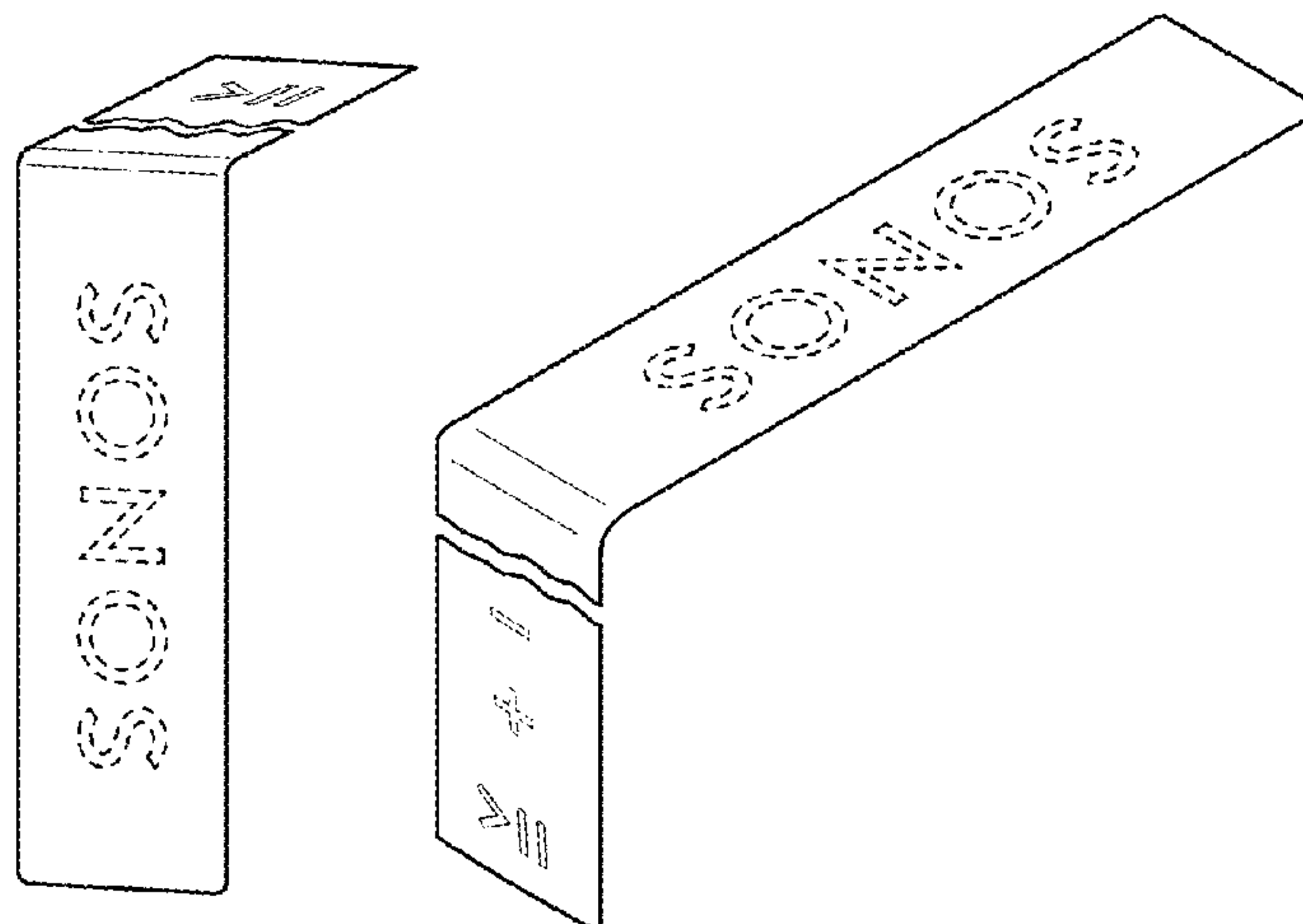
(56) **References Cited**

U.S. PATENT DOCUMENTS

D2,834 S *	11/1867	Scholfield	D20/22
D25,274 S *	3/1896	Deveaux	D20/22
1,119,839 A	12/1914	Kuhn	

OTHER PUBLICATIONS

Trademark Search, "Sonos", Jan. 27, 2005, retrieved from <http://tmsearch.uspto.gov/bin/gate.exe?f=doc&state=4808:g5tpr6.3.22> on Apr. 11, 2016, 3 pages.



“Printed Sealing Tape on Box”, 2000, retrieved from http://www.tritechforensics.com/uploaded_files/images/products/b_4129466984cdd169b2ff1515.3541962 on Apr. 28, 2016, 1 pages. Japanese Patent Office, “Office Action,” issued in connection with Application No. 2015-002928, dated Jun. 2, 2015, 3 pages.

* cited by examiner

Primary Examiner — Shawn T Gingrich
(74) *Attorney, Agent, or Firm* — KPPB LLP

(57) **CLAIM**

The ornamental design of a playback device, as shown and described.

DESCRIPTION

FIG. 1 shows an isometric view of a first embodiment of a playback device showing a surface ornamentation or icon; FIG. 2 shows a top view of a first embodiment of a playback device showing a surface ornamentation or icon;

FIG. 3 shows an isometric view of a second embodiment of a playback device showing a surface ornamentation or icon; FIG. 4 shows a side view of a second embodiment of a playback device showing a surface ornamentation or icon; FIG. 5 shows a side view of a third embodiment of a playback device showing a second surface ornamentation or icon;

FIG. 6 shows an isometric view of a third embodiment of a playback device showing a second surface ornamentation or icon;

FIG. 7 shows a front view of a fourth embodiment of a playback device showing a third surface ornamentation or icon;

FIG. 8 shows an isometric view of a fourth embodiment of a playback device showing a third surface ornamentation or icon;

FIG. 9 shows a front view of a fifth embodiment of a playback device showing a third surface ornamentation or icon;

FIG. 10 shows an isometric view of a fifth embodiment of a playback device showing a third surface ornamentation or icon;

FIG. 11 shows an isometric view of a first embodiment of a playback device showing a third surface ornamentation or icon;

FIG. 12 shows a top view of a first embodiment of a playback device showing a third surface ornamentation or icon;

FIG. 13 shows an isometric view of a second embodiment of a playback device showing a third surface ornamentation or icon;

FIG. 14 shows a side view of a second embodiment of a playback device showing a third surface ornamentation or icon;

FIG. 15 shows a side view of a third embodiment of a playback device showing a fourth surface ornamentation or icon;

FIG. 16 shows an isometric view of a third embodiment of a playback device showing a fourth surface ornamentation or icon;

FIG. 17 shows a front view of a fourth embodiment of a playback device showing a fifth surface ornamentation or icon;

FIG. 18 shows an isometric view of a fourth embodiment of a playback device showing a fifth surface ornamentation or icon;

FIG. 19 shows a front view of a fifth embodiment of a playback device showing a fifth surface ornamentation or icon;

FIG. 20 shows an isometric view of a fifth embodiment of a playback device showing a fifth surface ornamentation or icon;

FIG. 21 shows an isometric view of a first embodiment of a playback device showing a fifth surface ornamentation or icon;

FIG. 22 shows a top view of a first embodiment of a playback device showing a fifth surface ornamentation or icon;

FIG. 23 shows an isometric view of a second embodiment of a playback device showing a fifth surface ornamentation or icon;

FIG. 24 shows a side view of a second embodiment of a playback device showing a fifth surface ornamentation or icon;

FIG. 25 shows a side view of a third embodiment of a playback device showing a sixth surface ornamentation or icon;

FIG. 26 shows an isometric view of a third embodiment of a playback device showing a sixth surface ornamentation or icon;

FIG. 27 shows a isometric view of a first embodiment of a playback device showing a fourth surface ornamentation or icon;

FIG. 28 shows a top view of a first embodiment of a playback device showing a fourth surface ornamentation or icon;

FIG. 29 shows a front view of a fourth embodiment of a playback device showing a sixth surface ornamentation or icon;

FIG. 30 shows an isometric view of a fourth embodiment of a playback device showing a sixth surface ornamentation or icon;

FIG. 31 shows an enlarged isometric view of the second surface ornamentation or icon, the playback device has been removed for clarity of illustration;

FIG. 32 shows an enlarged isometric view of the first surface ornamentation or icon, the playback device has been removed for clarity of illustration;

FIG. 33 shows an enlarged isometric view of the fifth surface ornamentation or icon, the playback device has been removed for clarity of illustration;

FIG. 34 shows an enlarged isometric view of the second surface ornamentation or icon, the playback device has been removed for clarity of illustration;

FIG. 35 shows an enlarged isometric view of the fourth surface ornamentation or icon, the playback device has been removed for clarity of illustration;

FIG. 36 shows an enlarged isometric view of the sixth surface ornamentation or icon, the playback device has been removed for clarity of illustration;

FIG. 37 shows an enlarged isometric view of the seventh surface ornamentation or icon, the playback device has been removed for clarity of illustration; and,

FIG. 38 shows an enlarged isometric view of the eighth surface ornamentation or icon, the playback device has been removed for clarity of illustration.

The features shown in broken lines form no part of the claimed design. The curved break line in the drawings

represent a symbolic break in the length. The appearance of any portion of the article beyond what is shown forms no part of the claimed design.

1 Claim, 26 Drawing Sheets

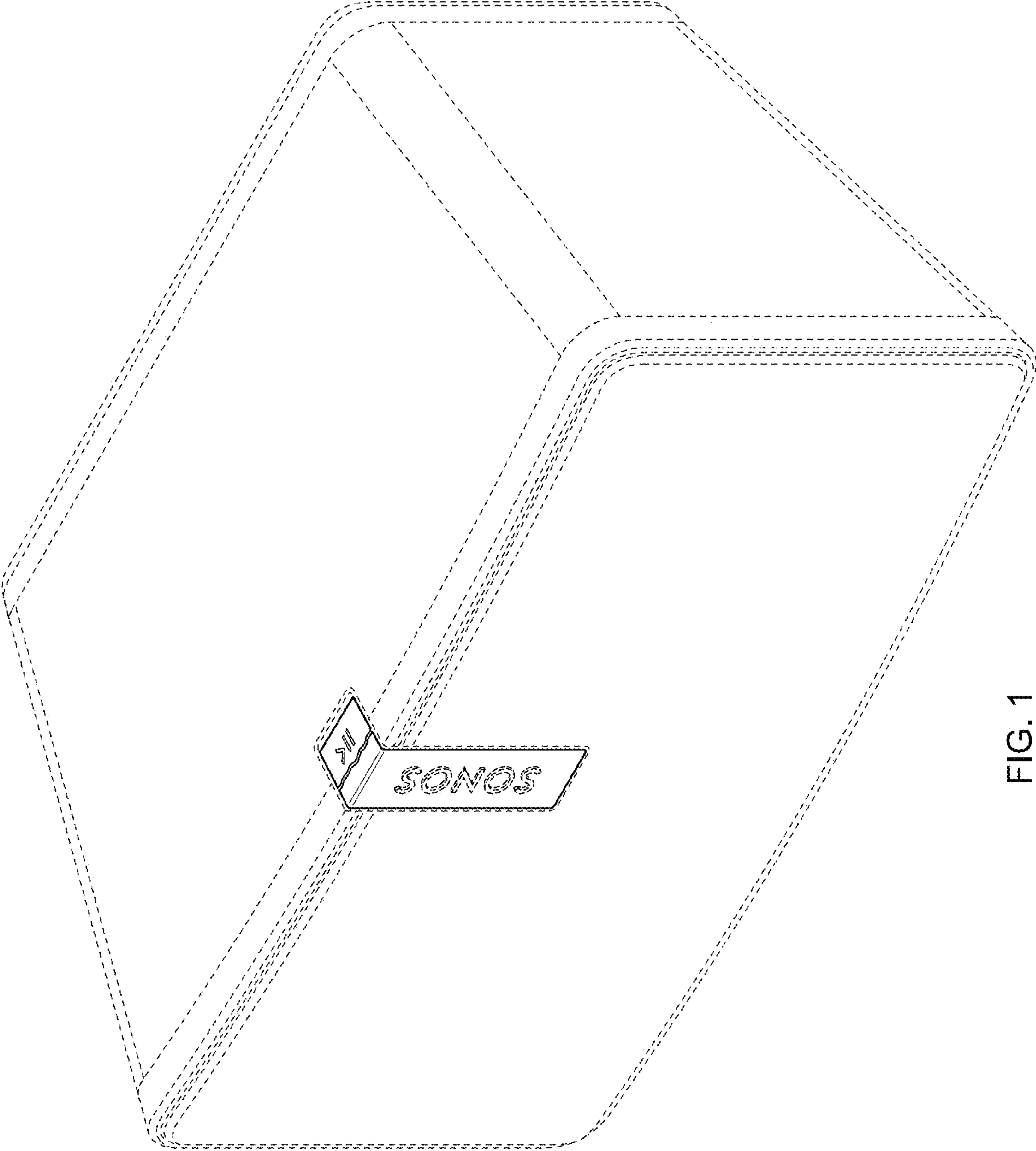


FIG. 1

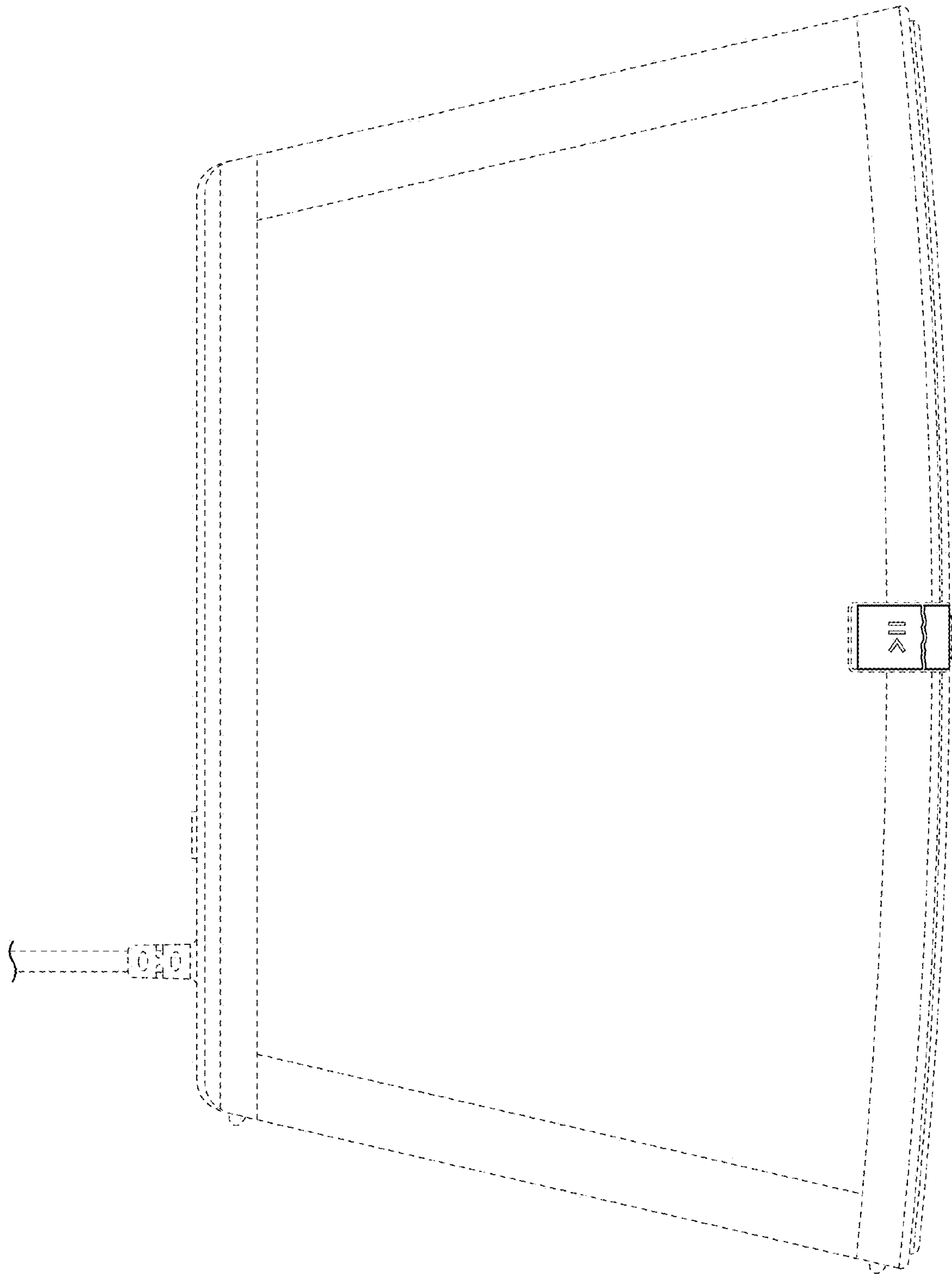


FIG. 2

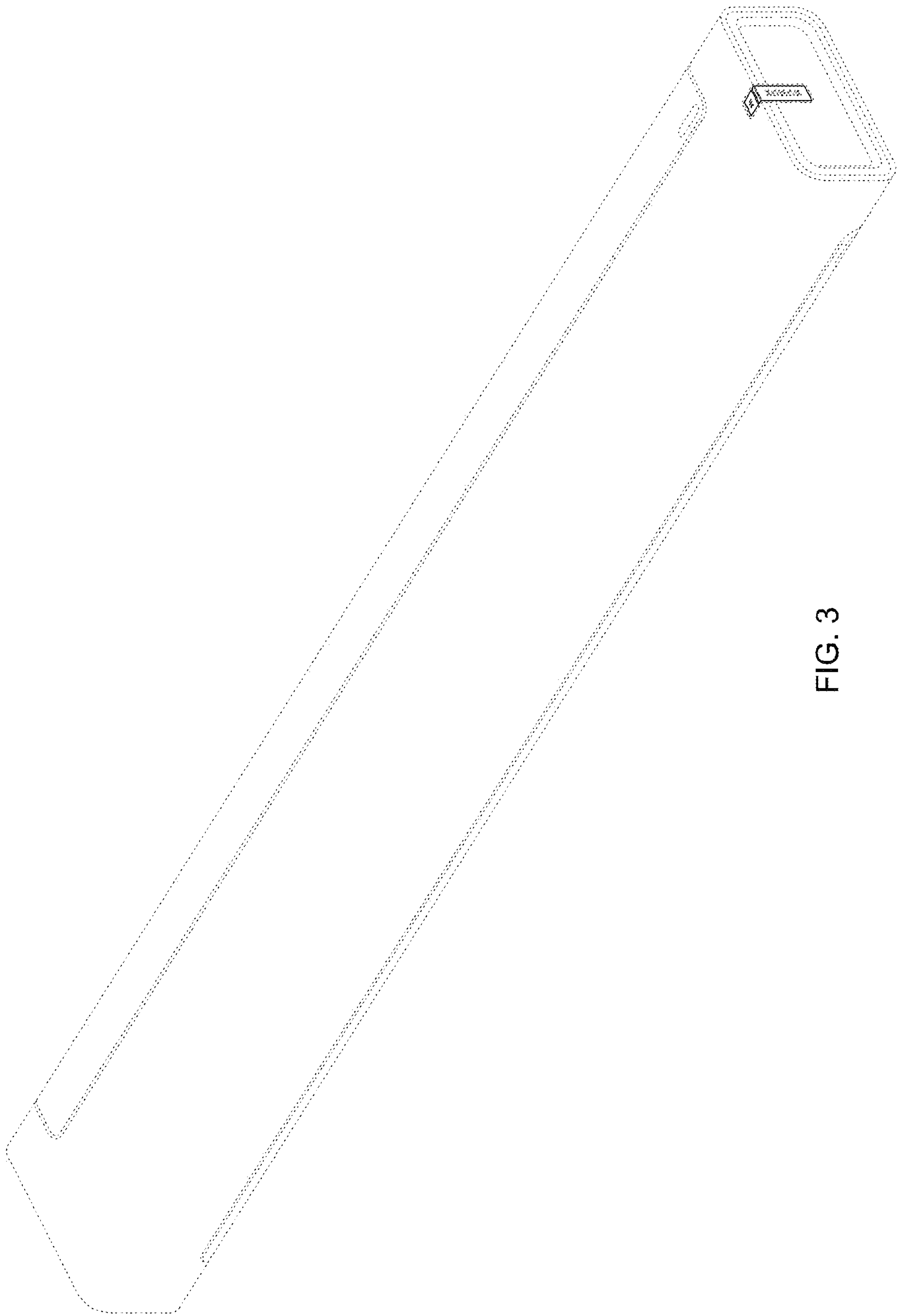


FIG. 3

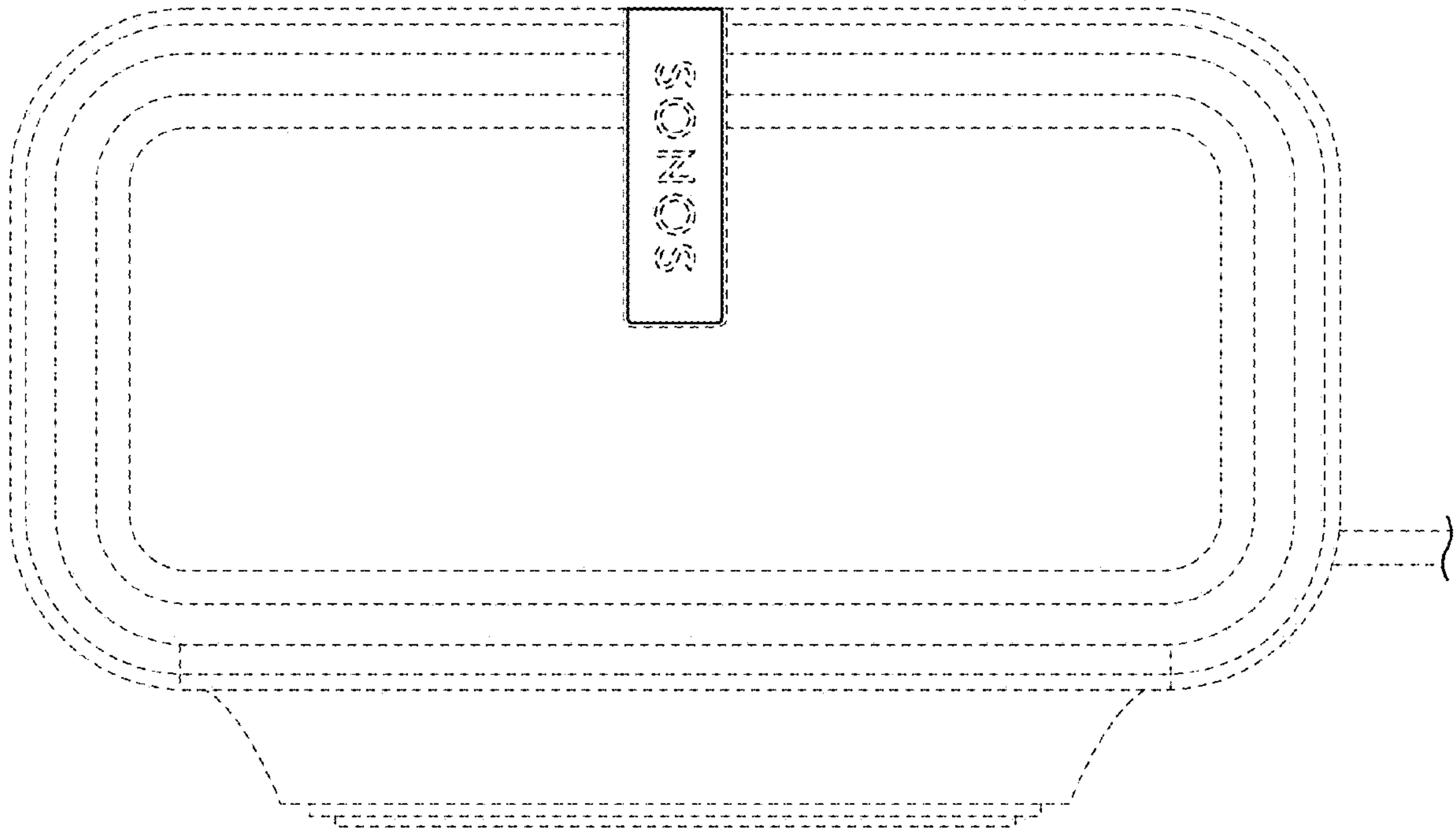


FIG. 4

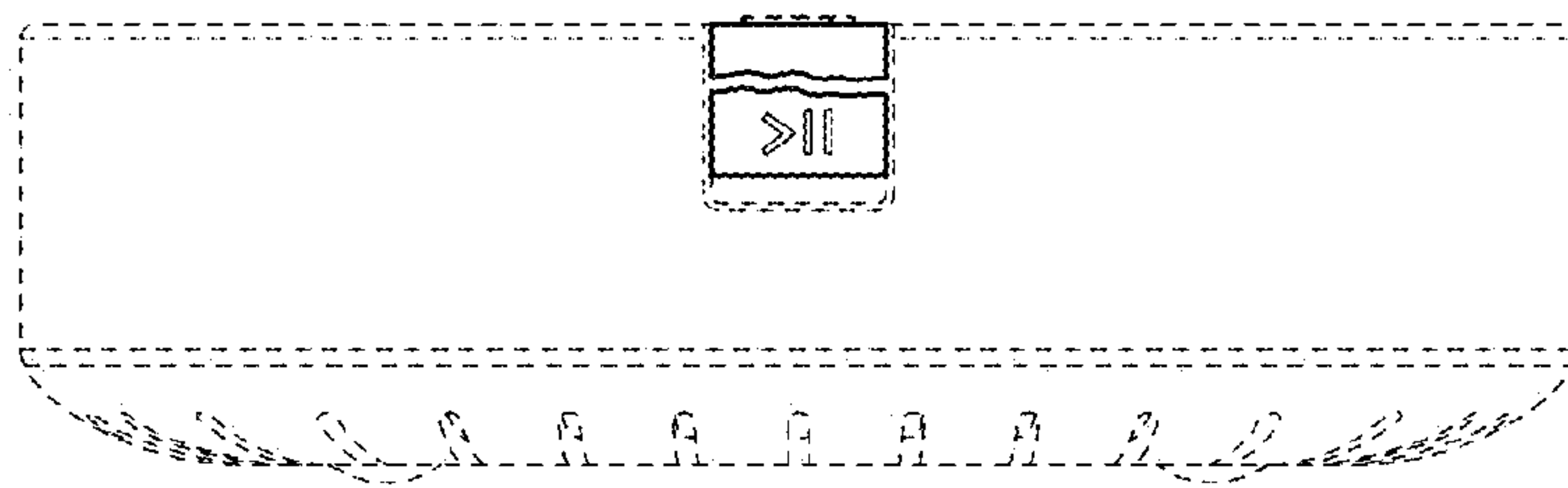


FIG. 5

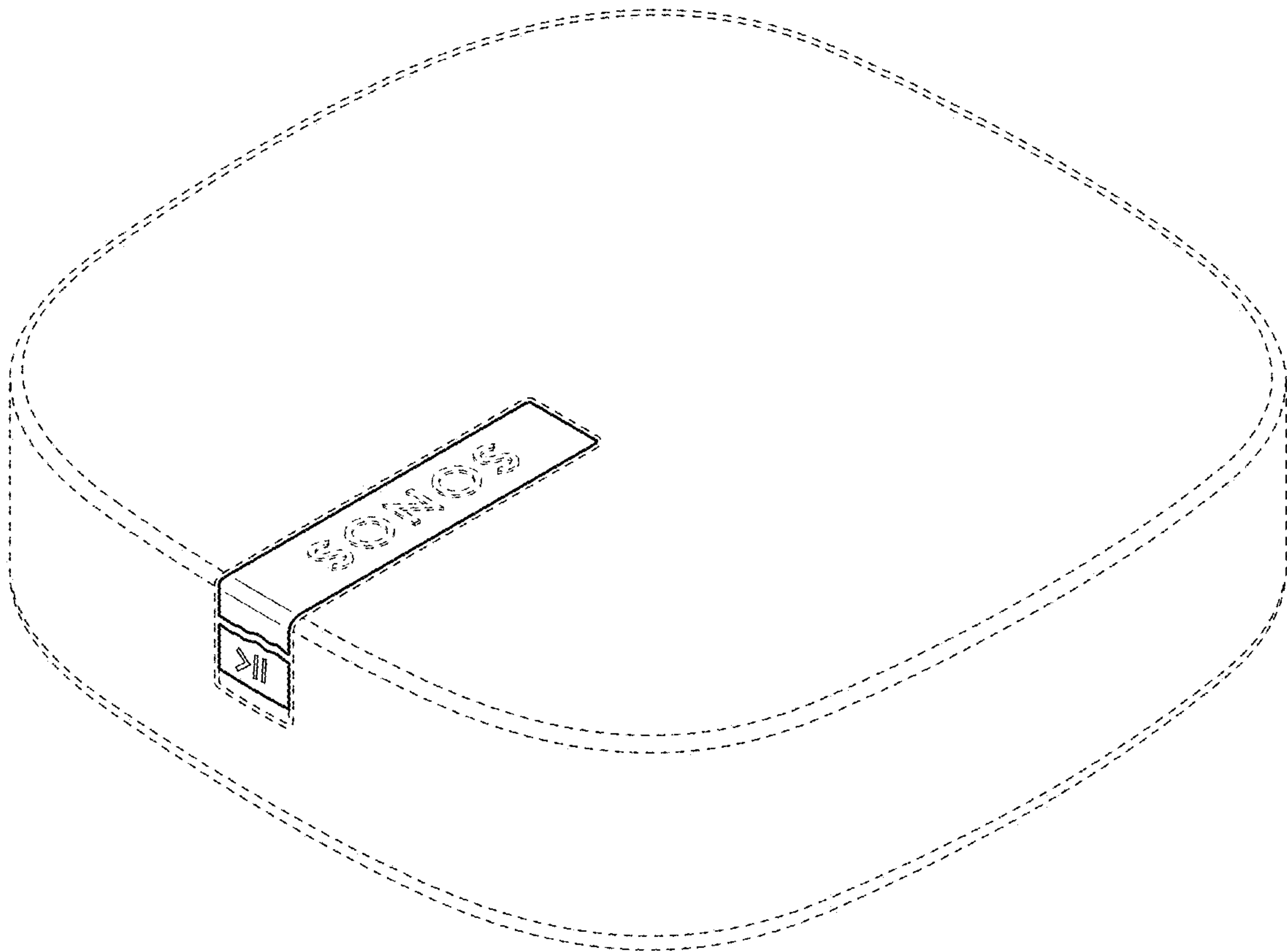


FIG. 6

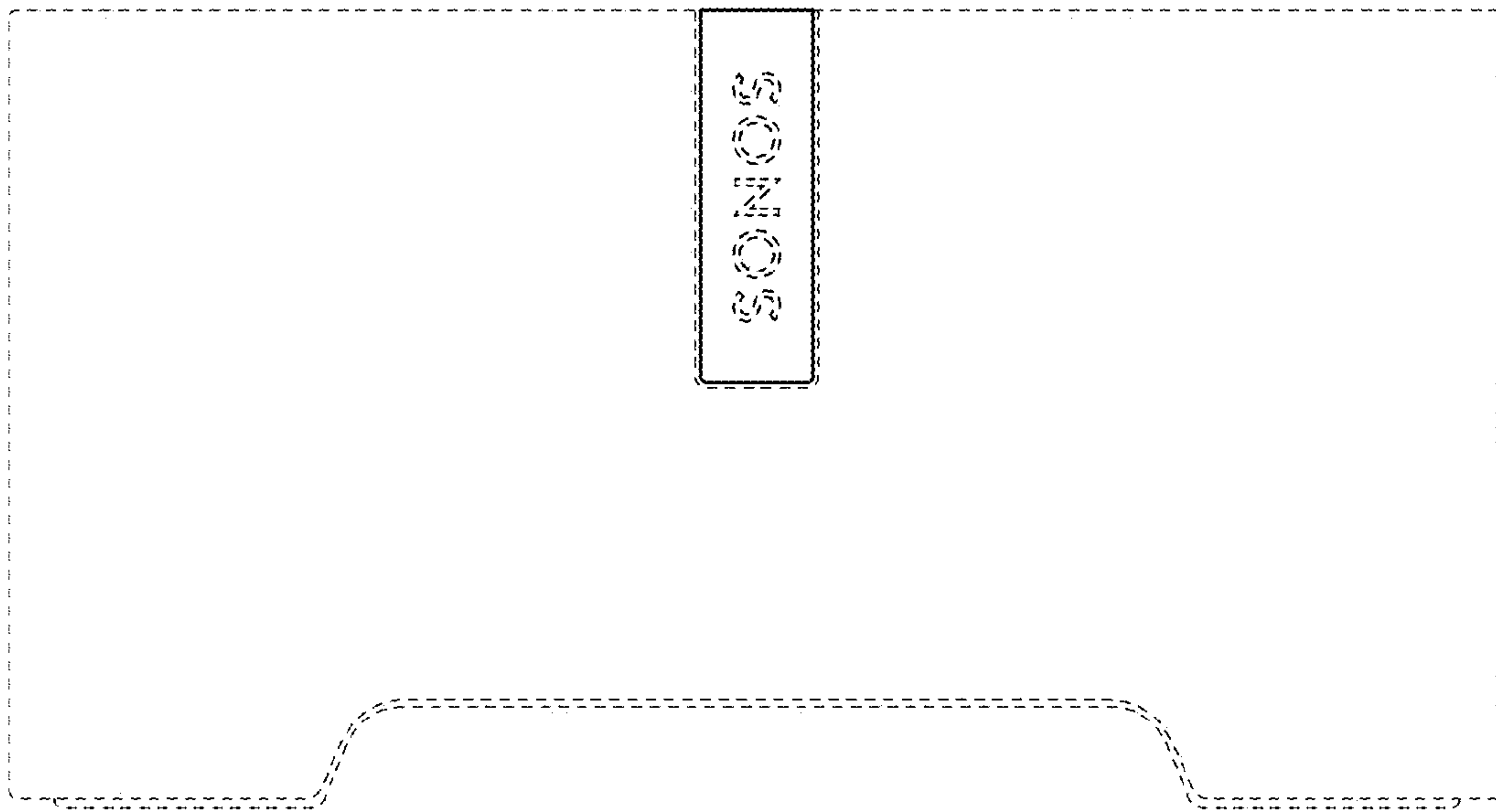


FIG. 7

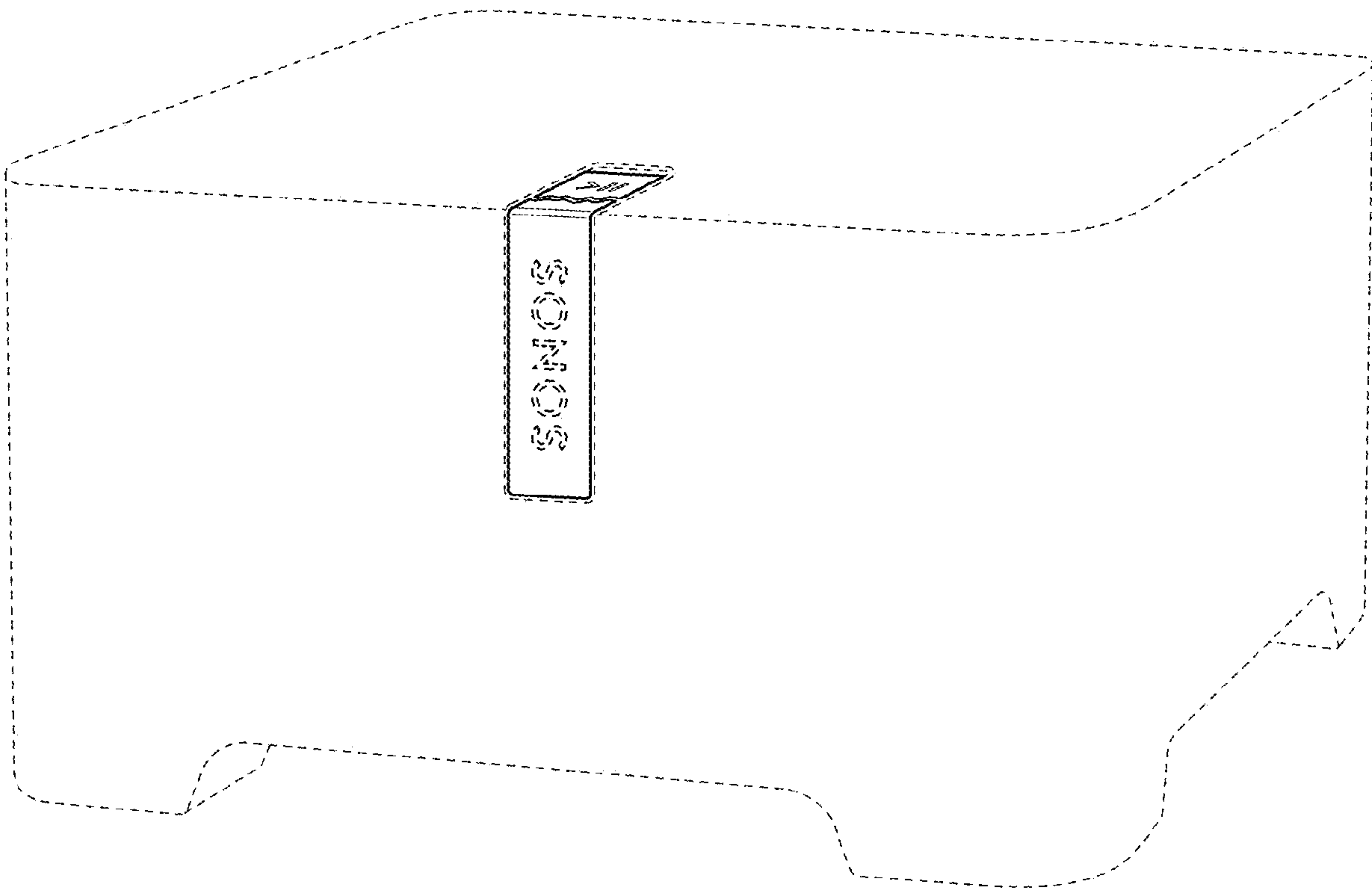


FIG. 8

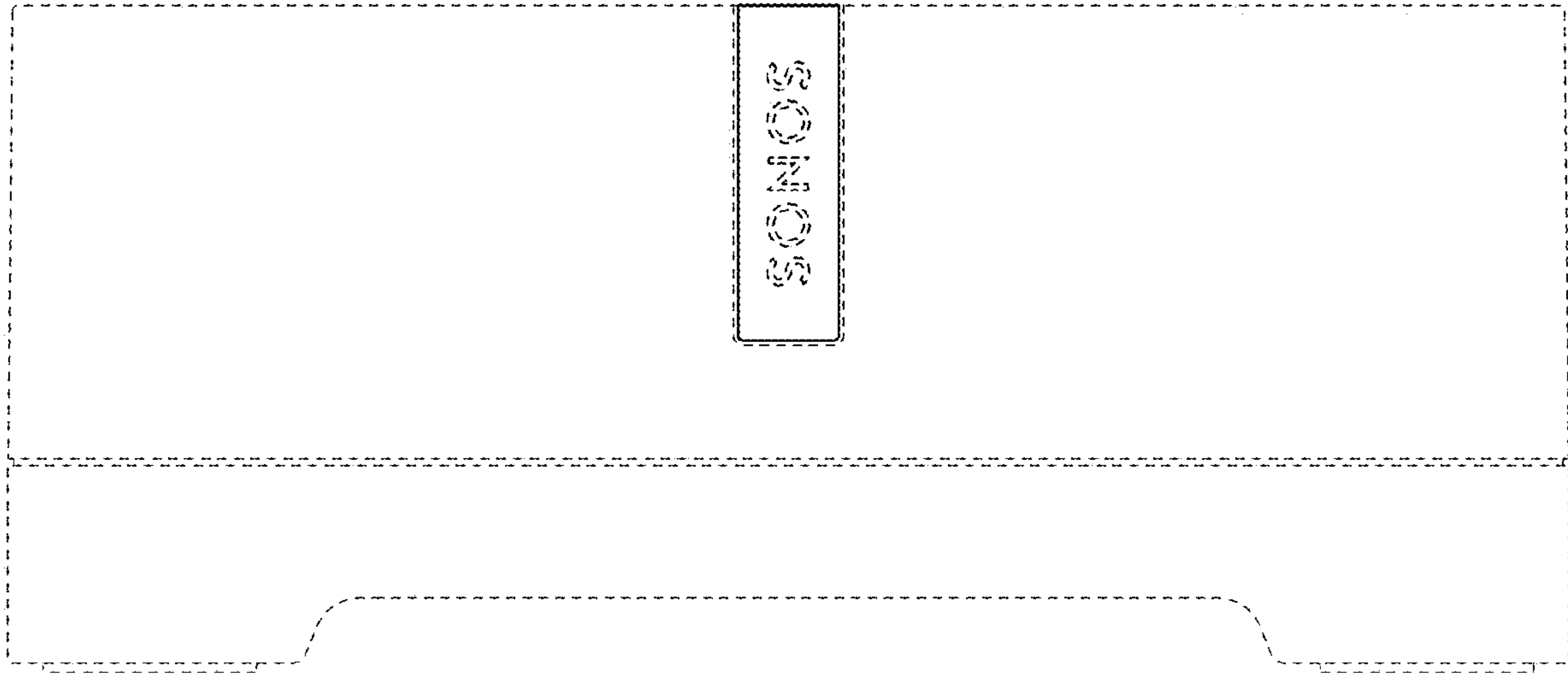


FIG. 9

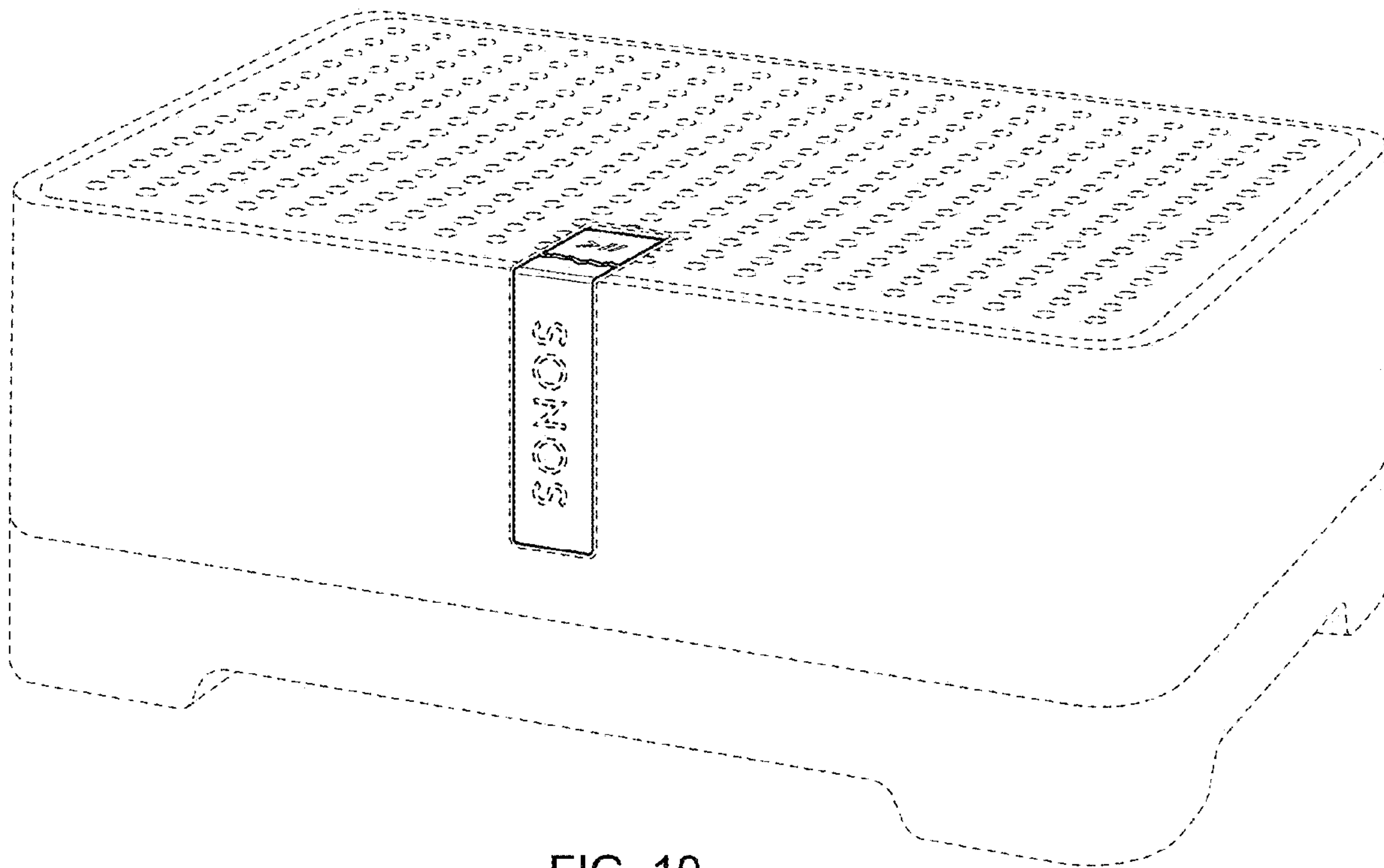


FIG. 10

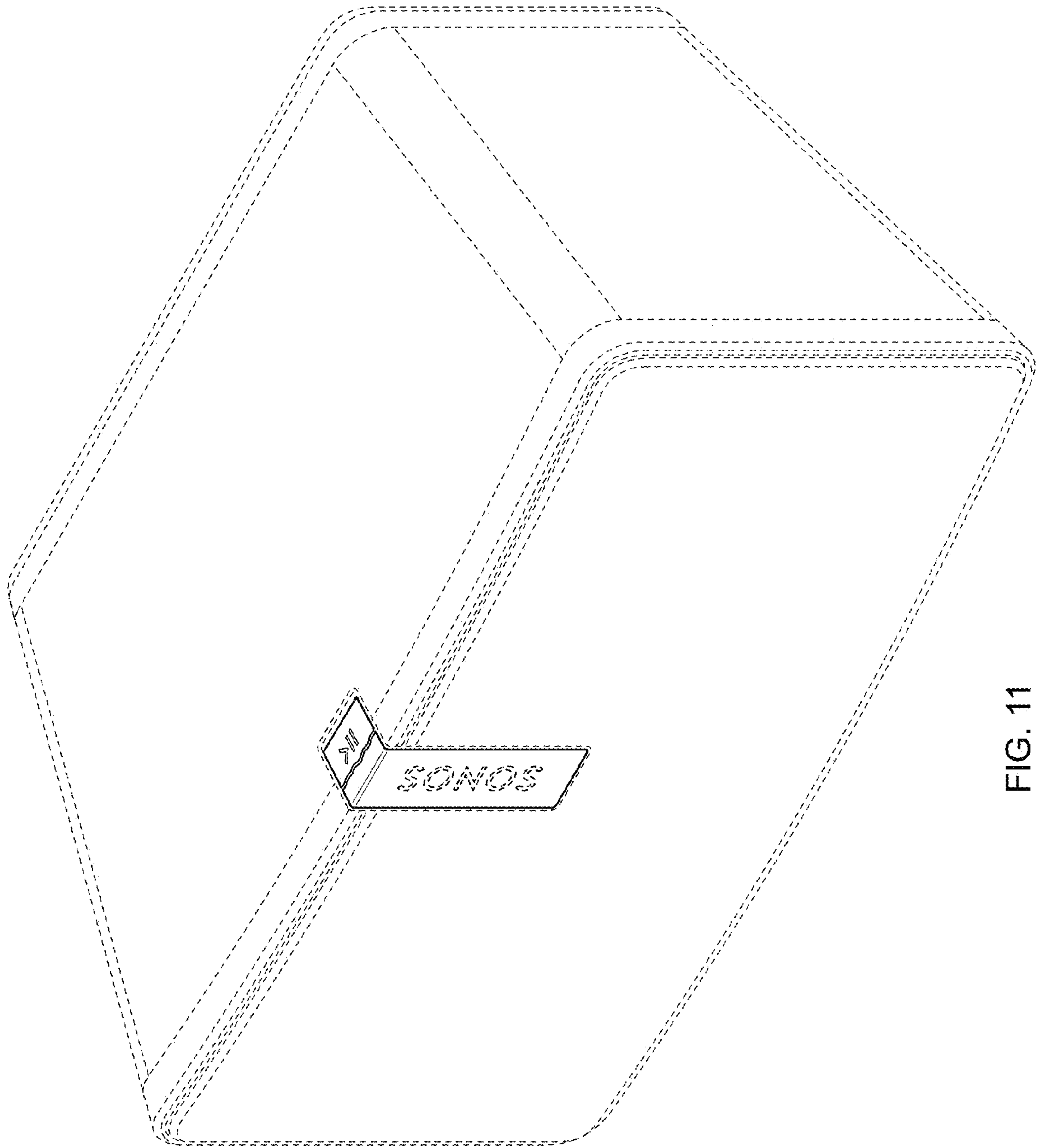


FIG. 11

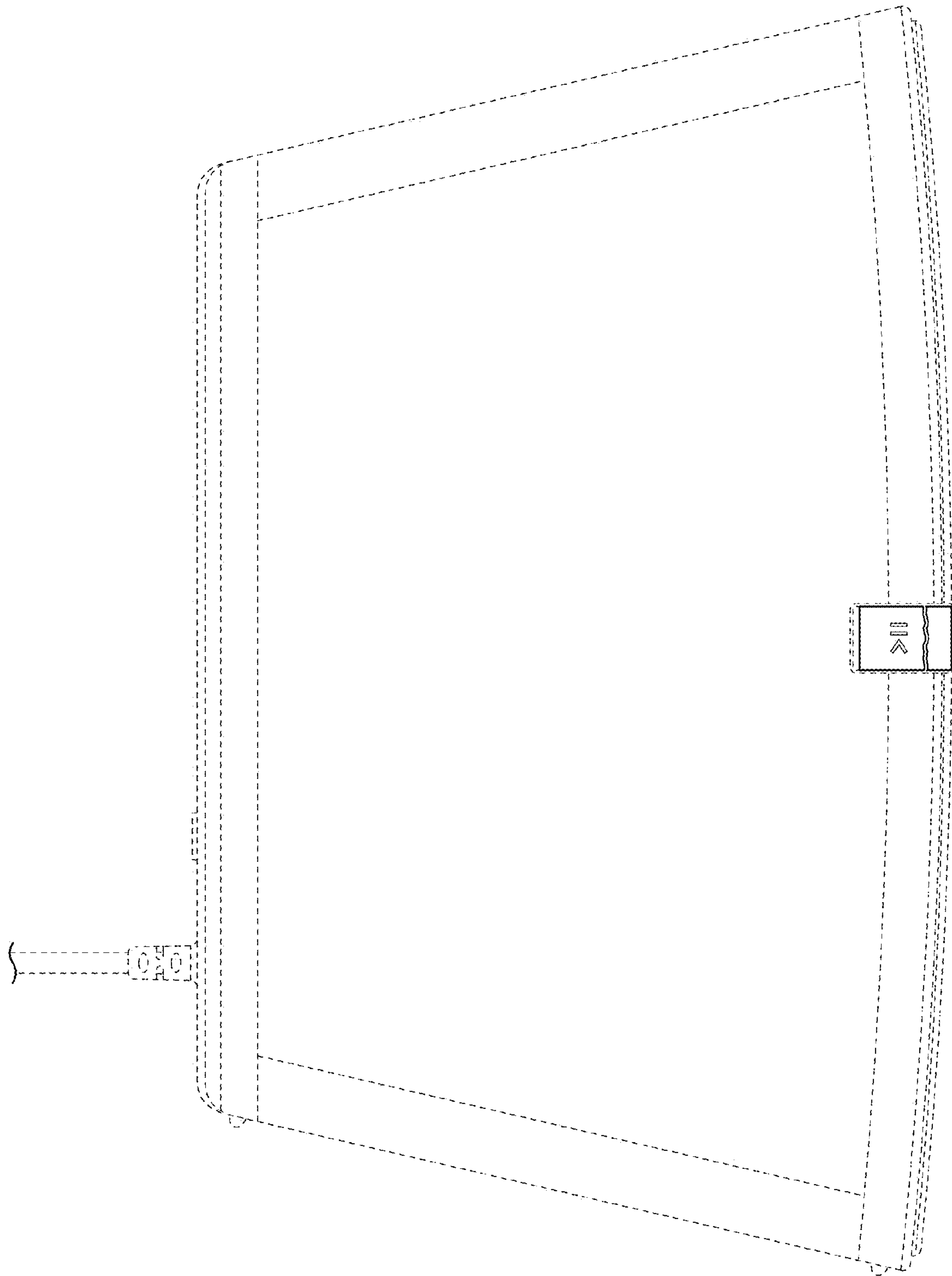


FIG. 12

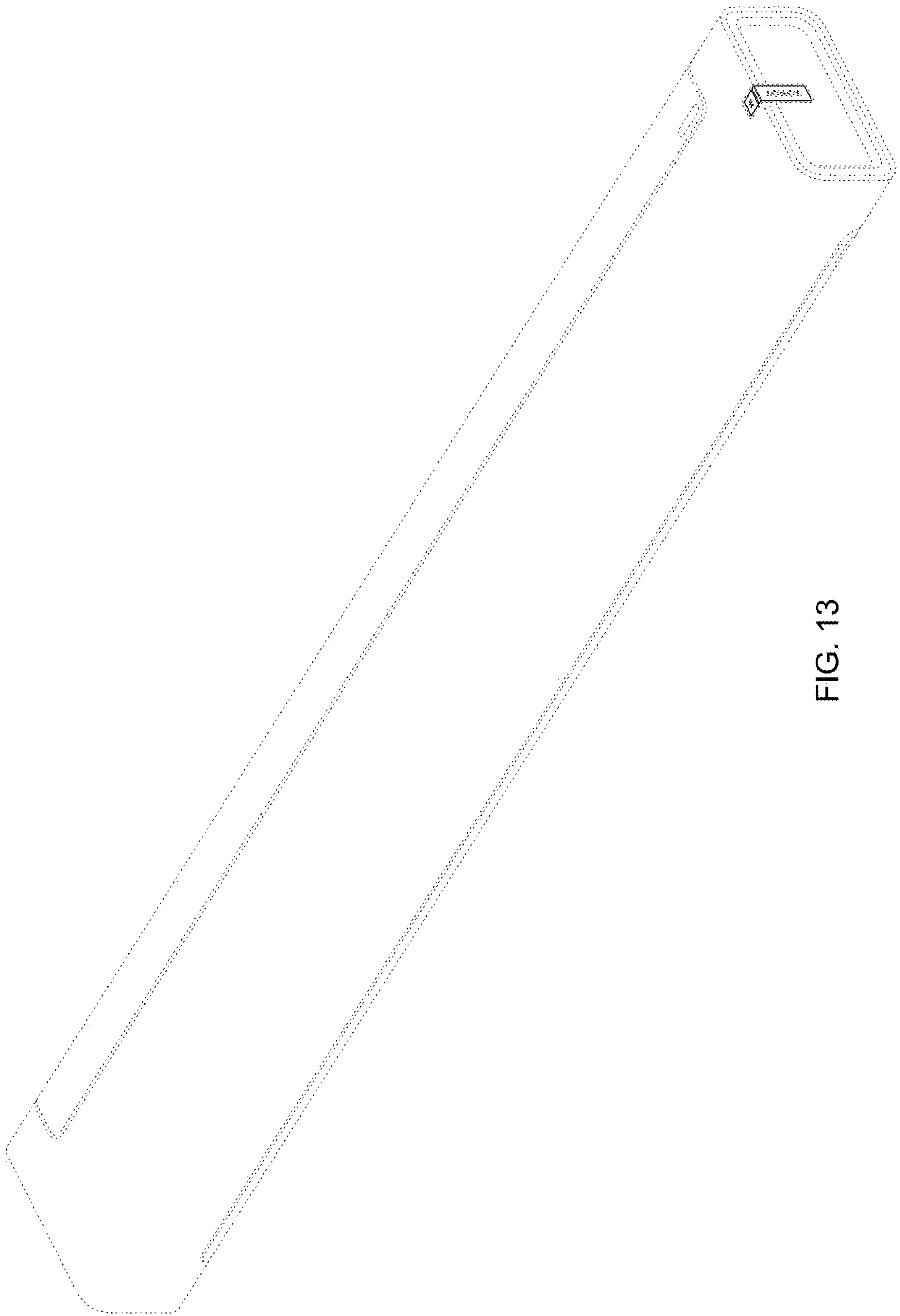


FIG. 13

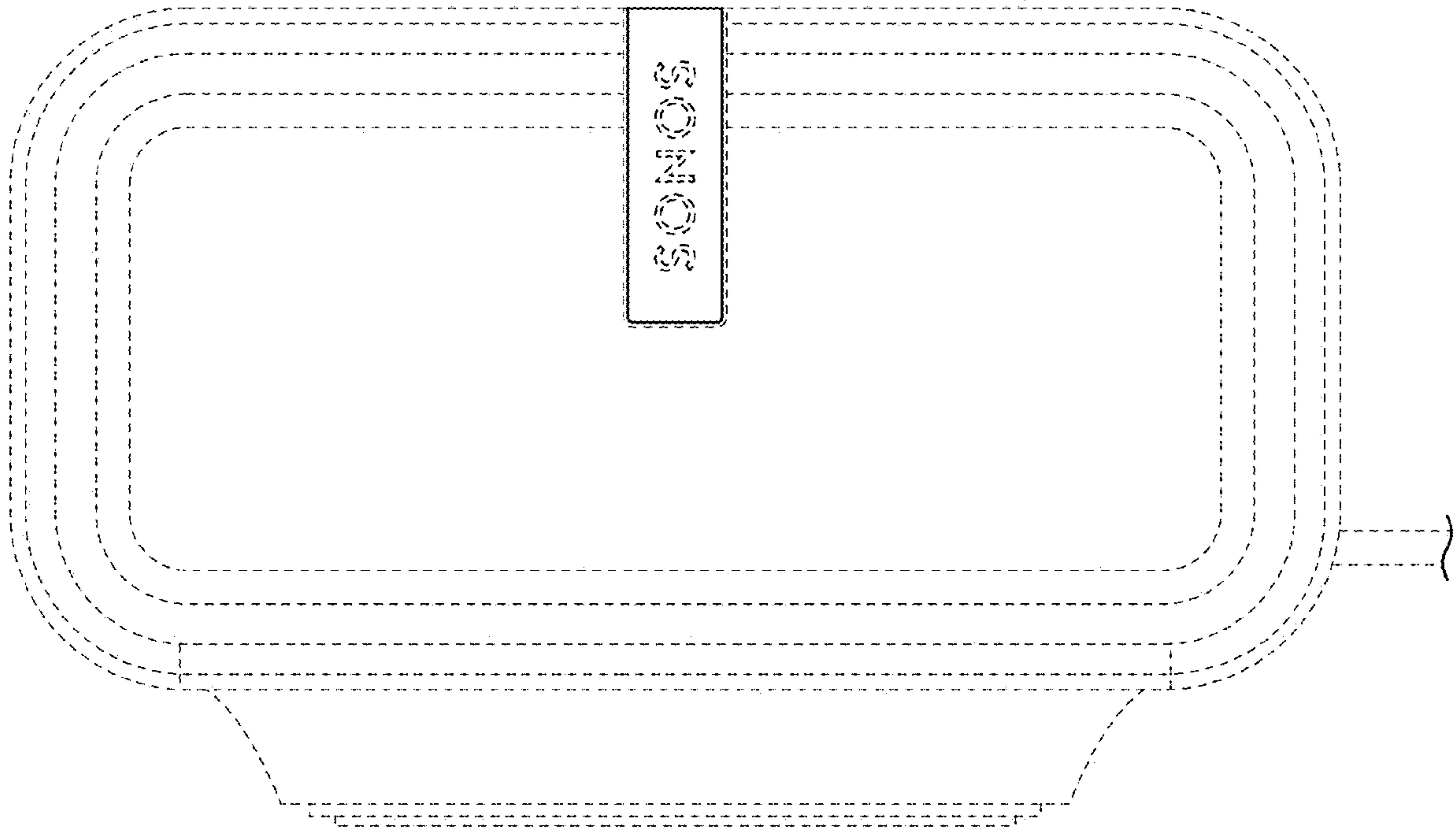


FIG. 14

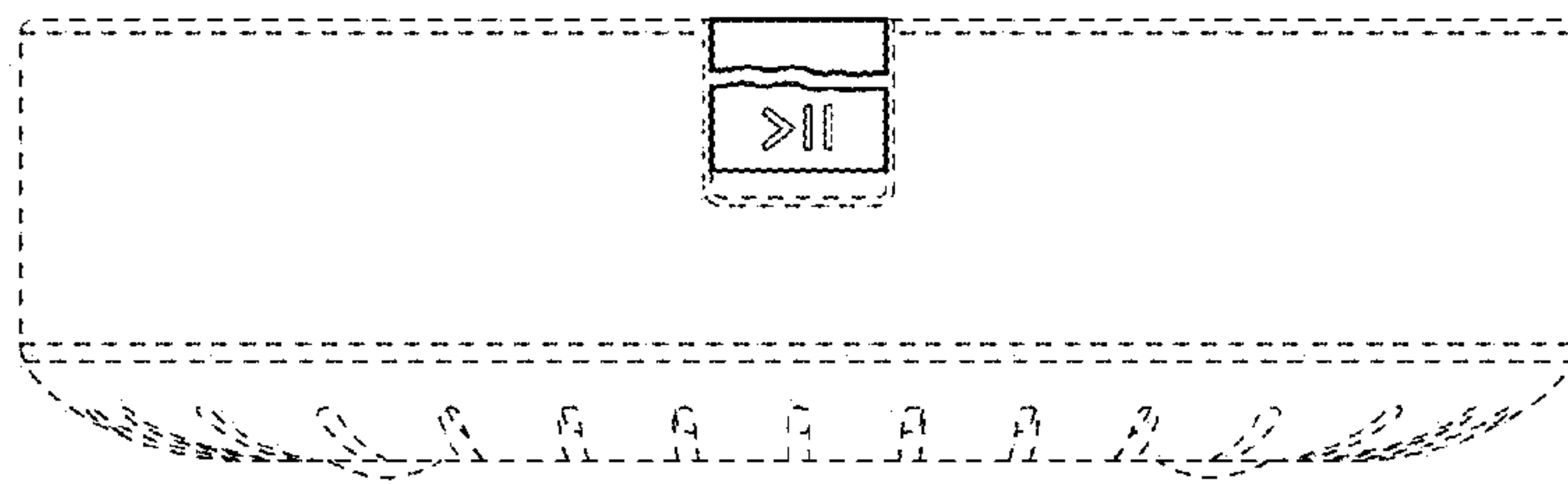


FIG. 15

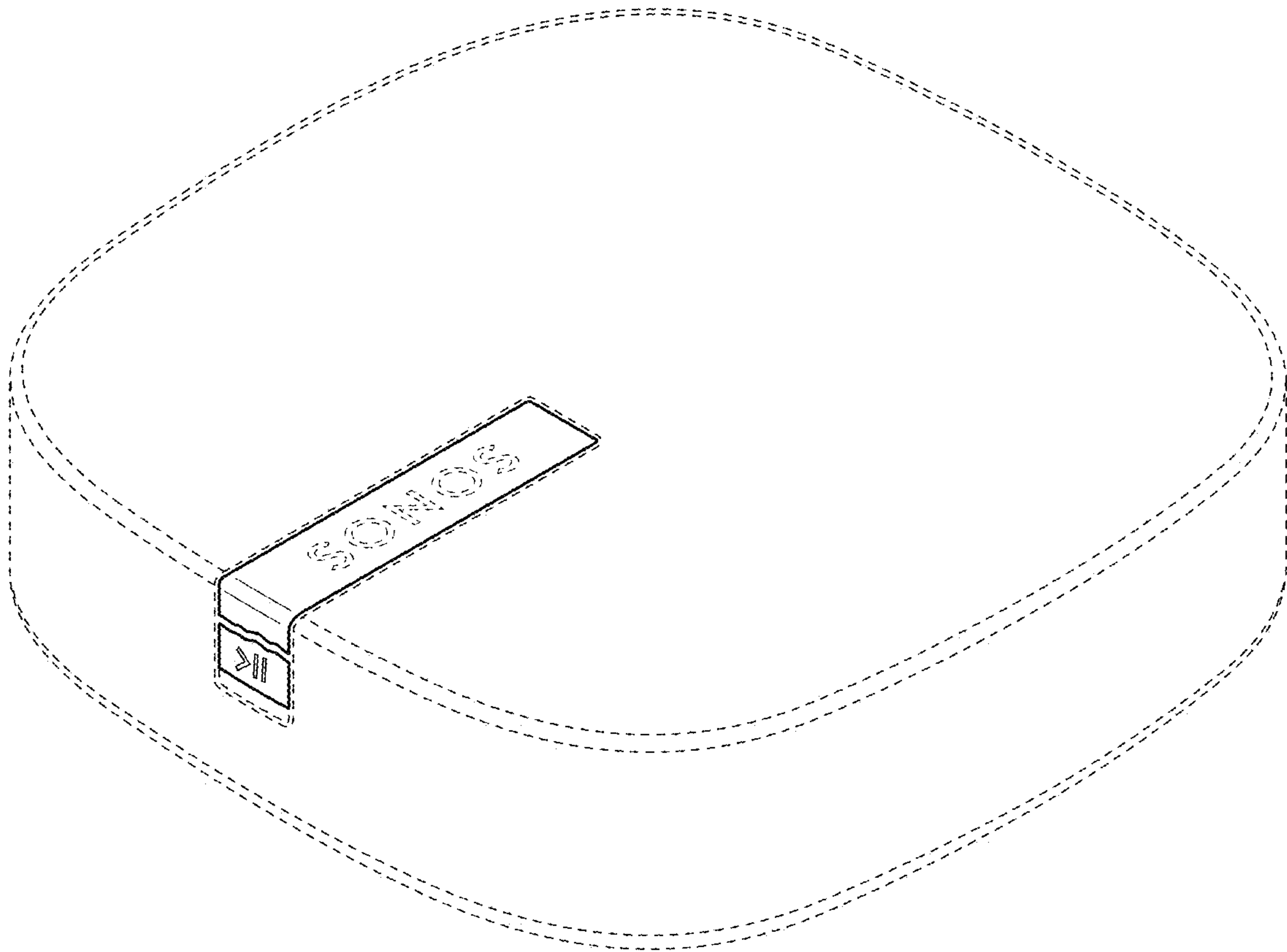


FIG. 16

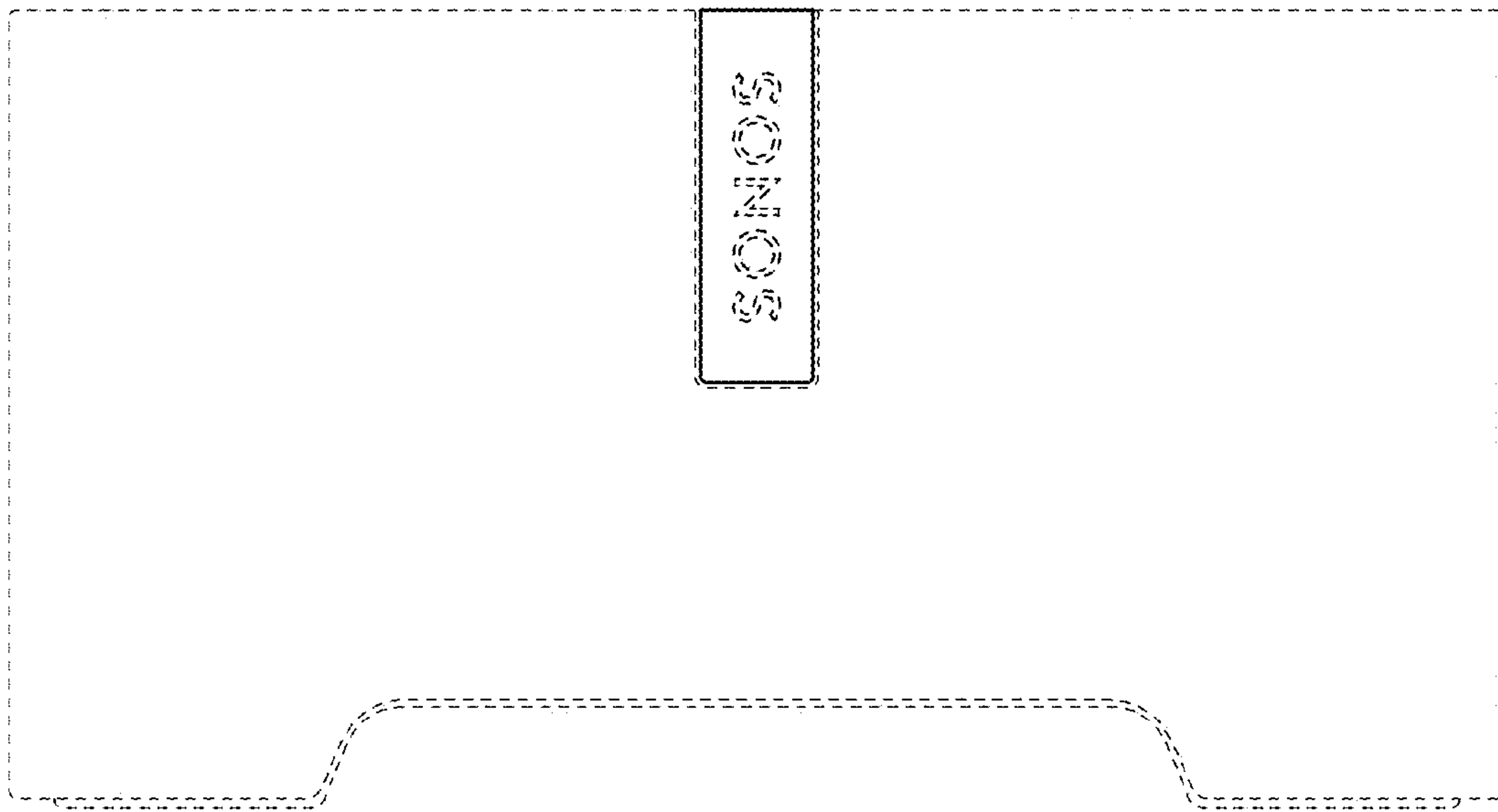


FIG. 17

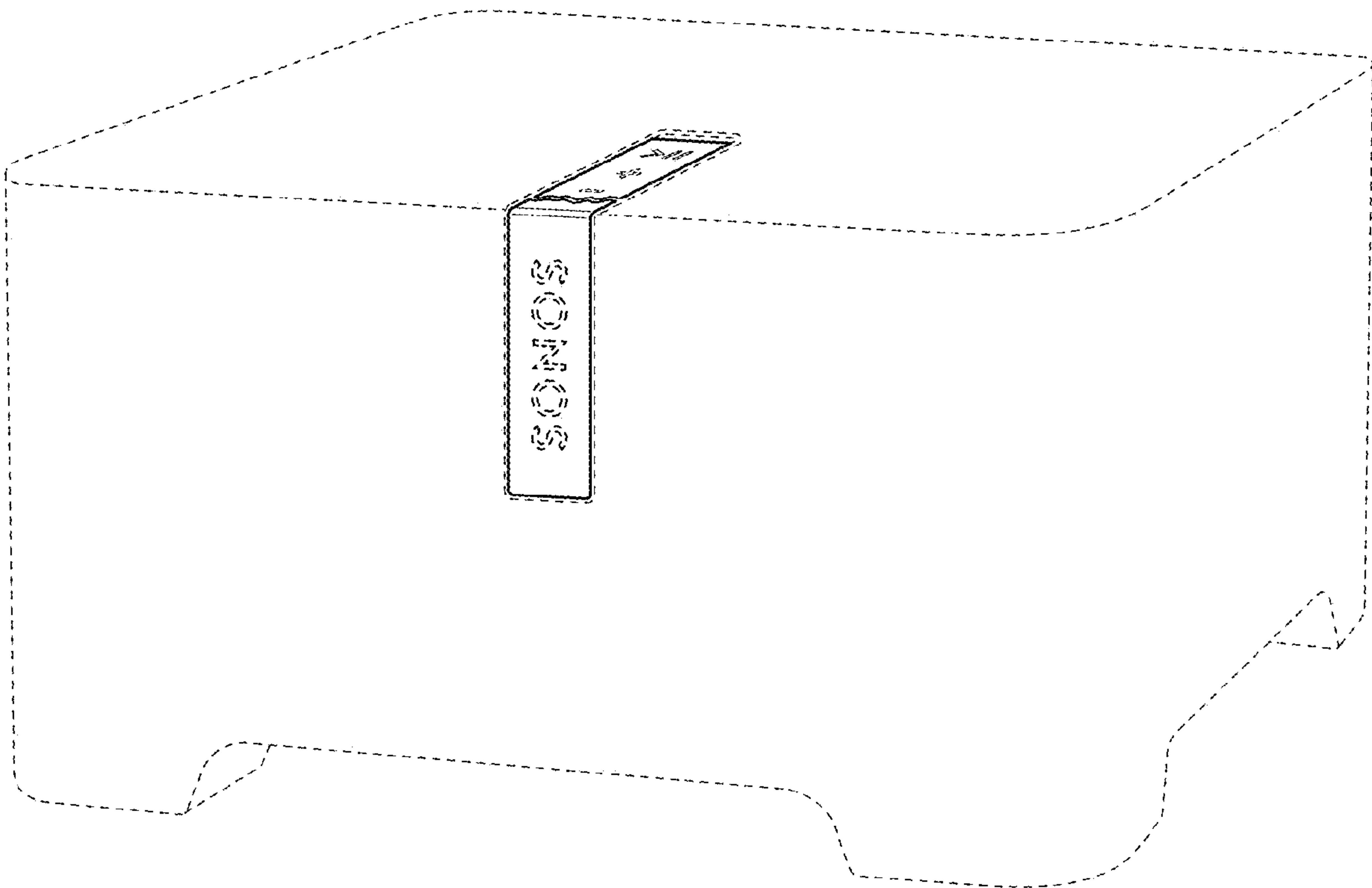


FIG. 18

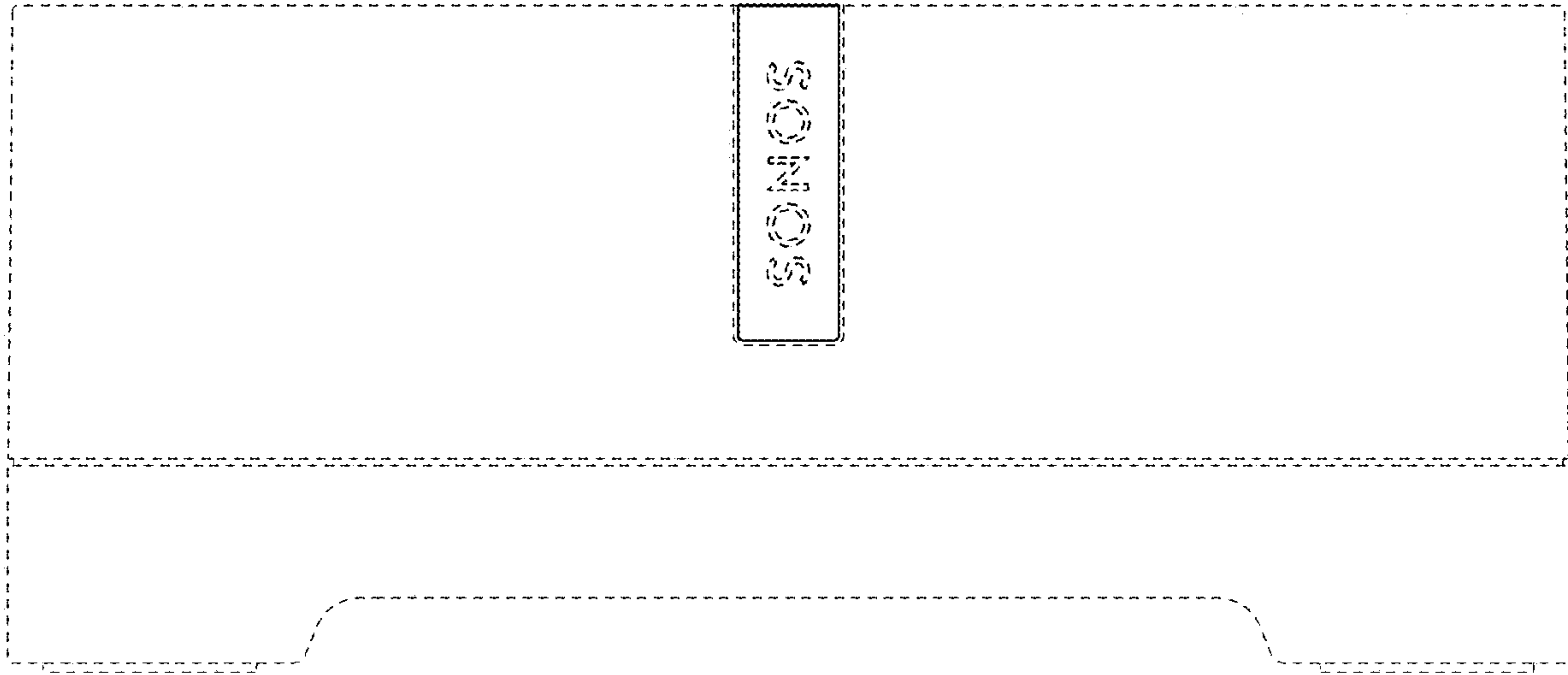


FIG. 19

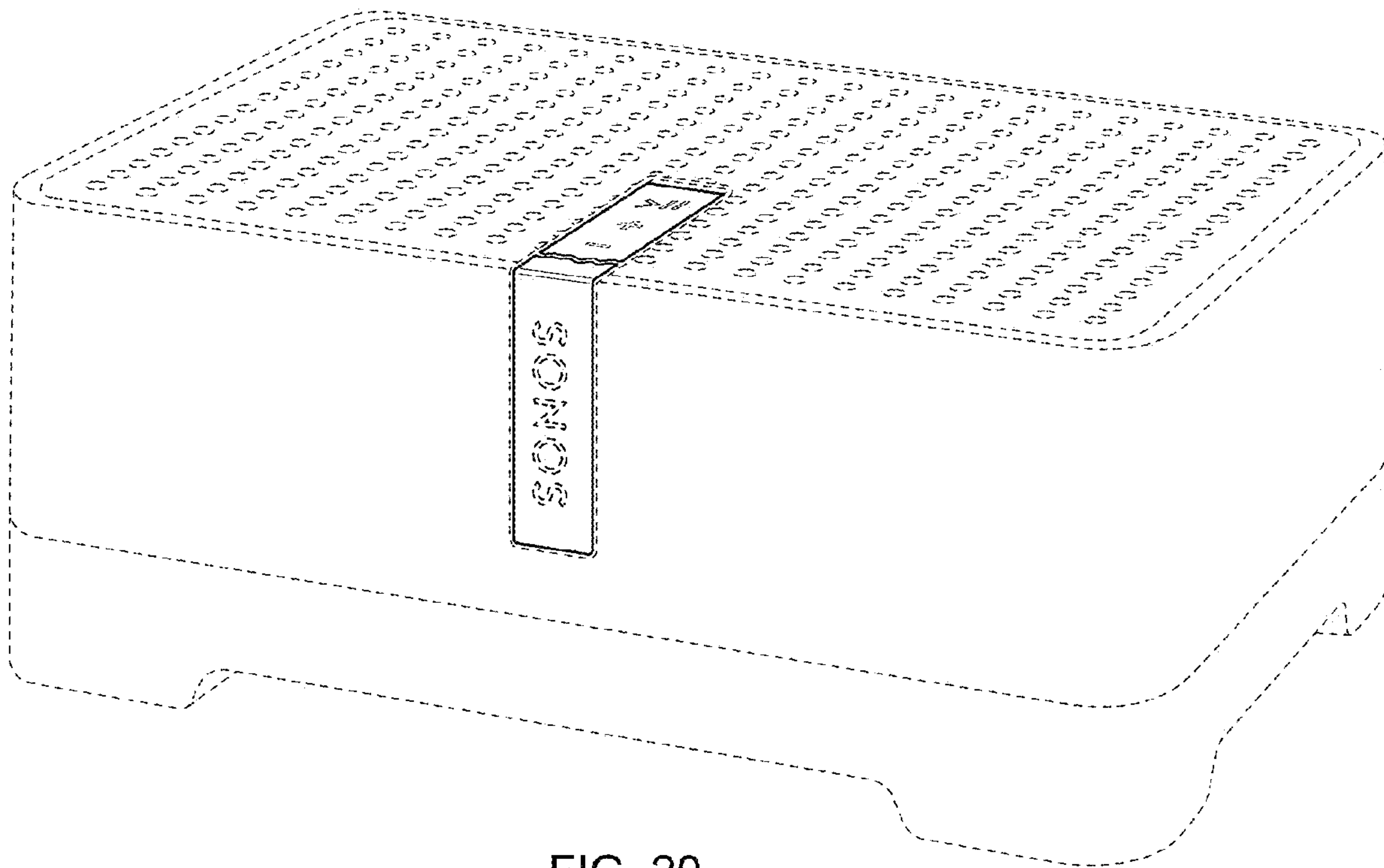


FIG. 20

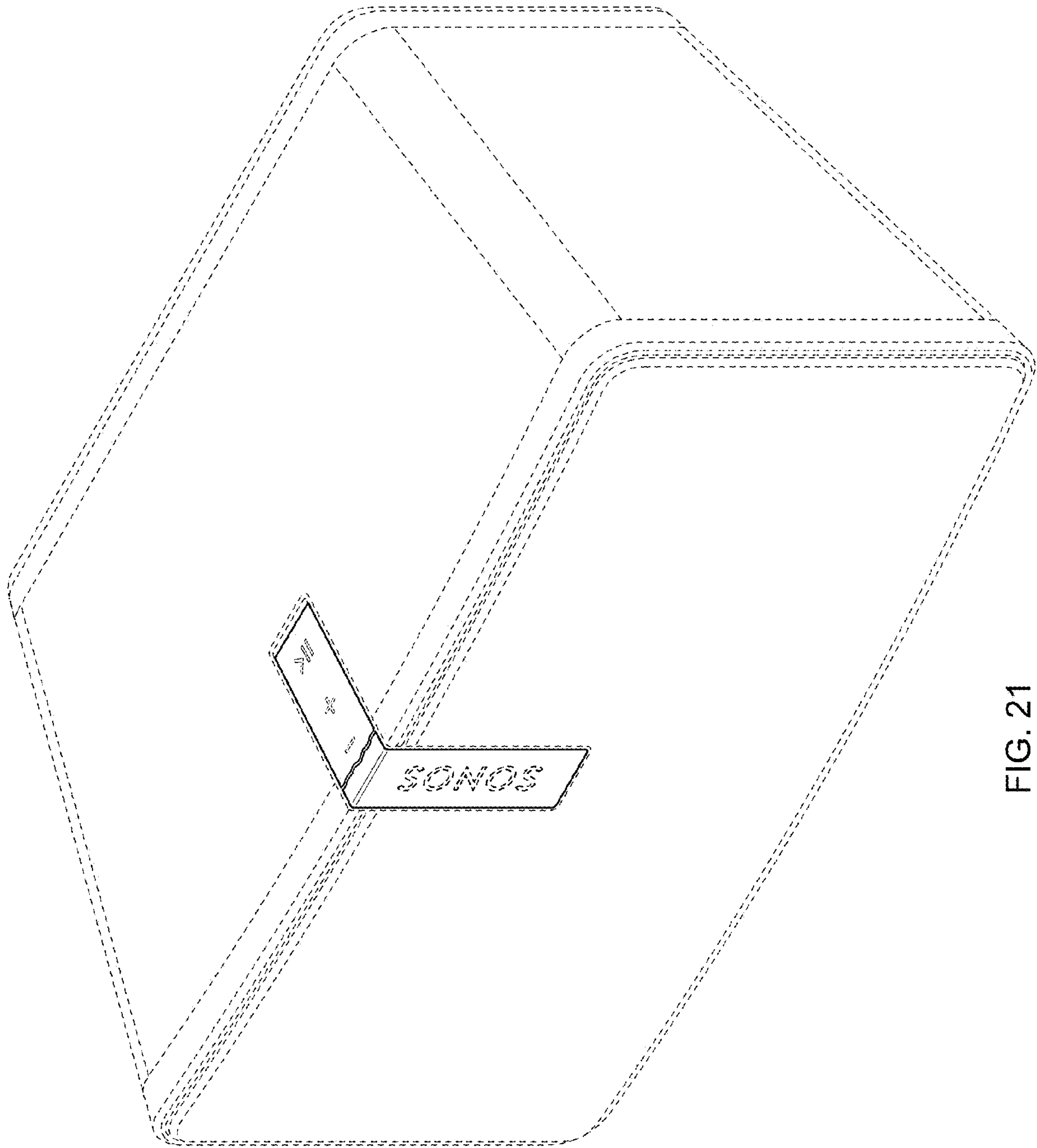


FIG. 21

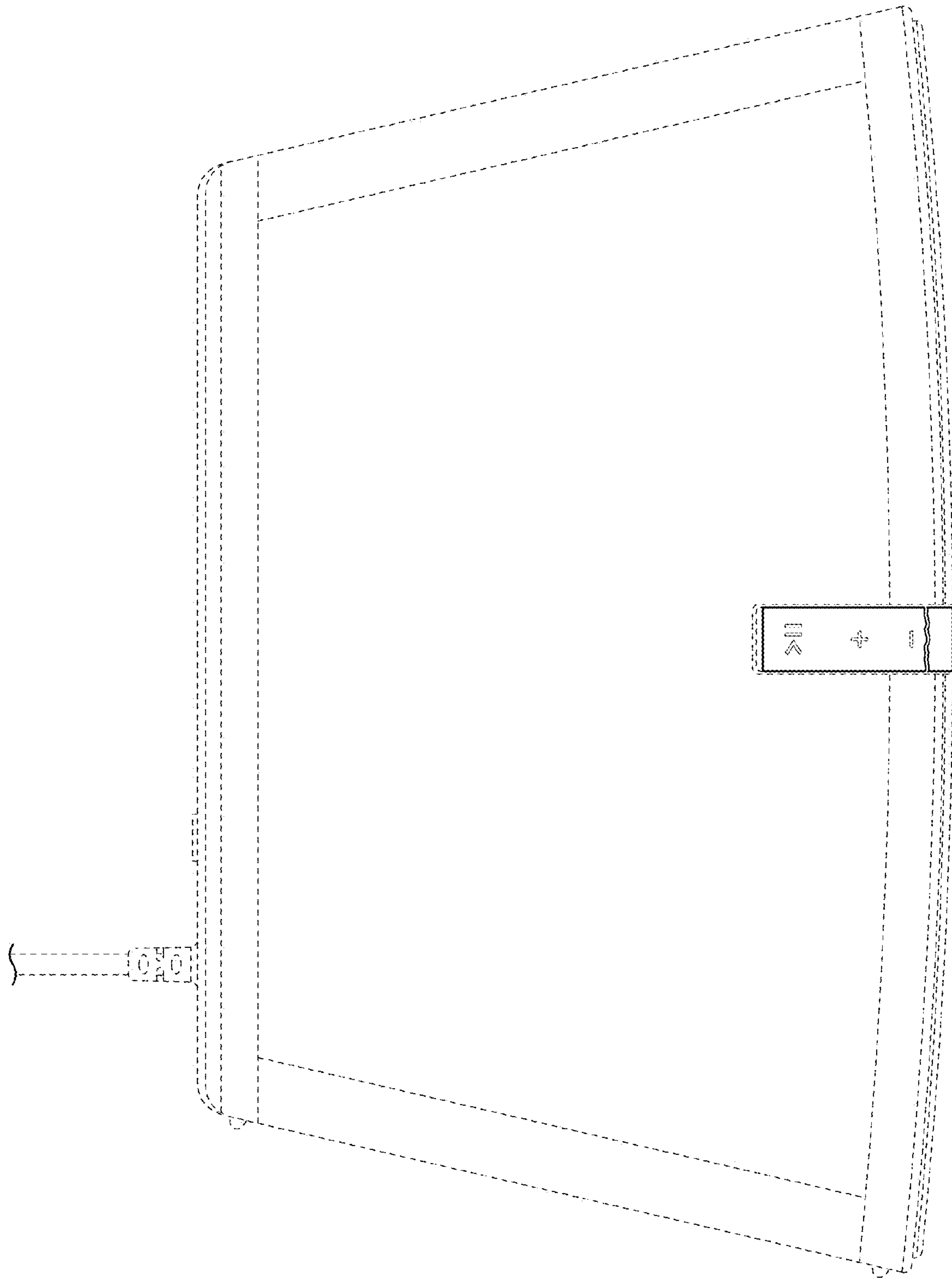


FIG. 22

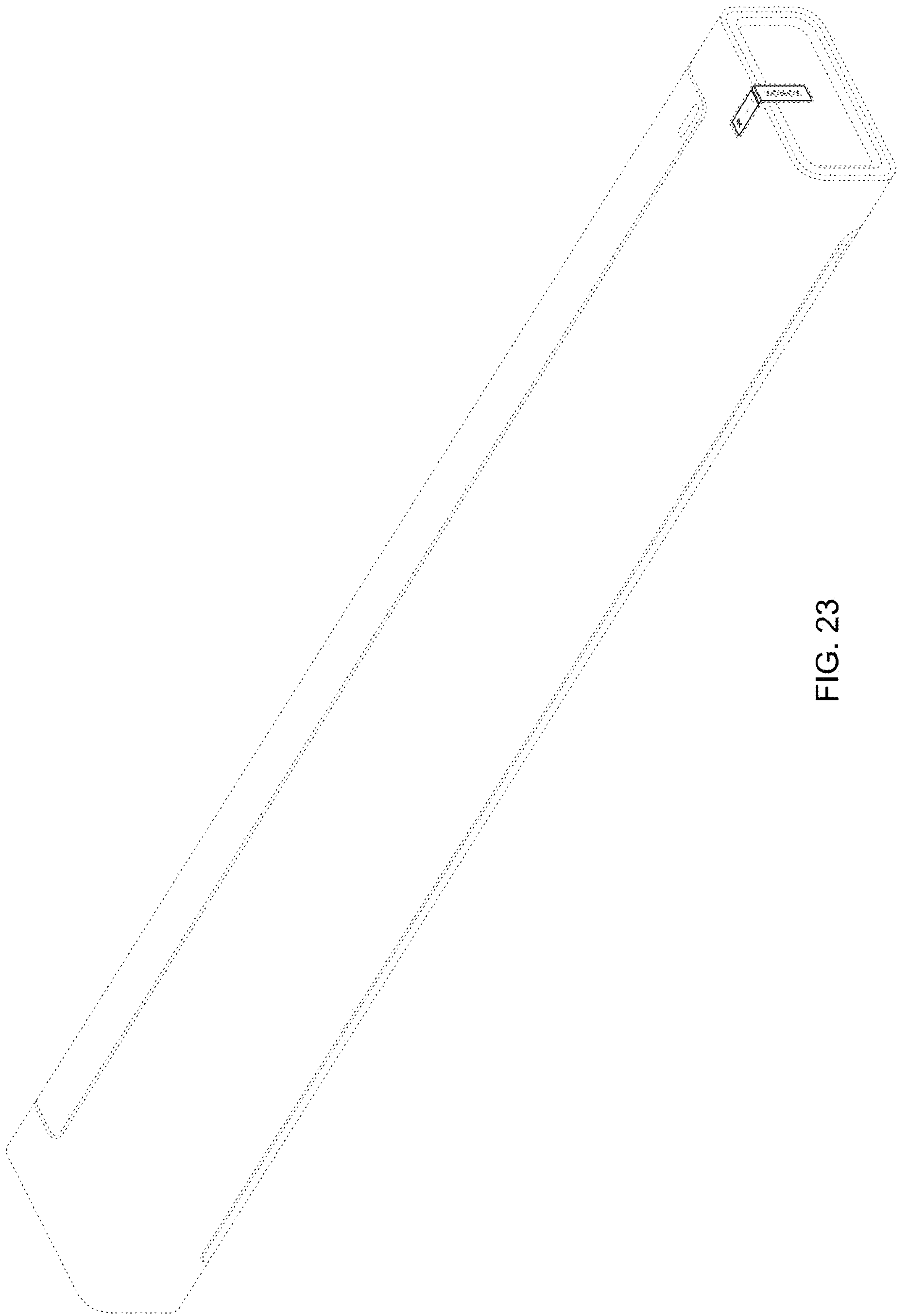


FIG. 23

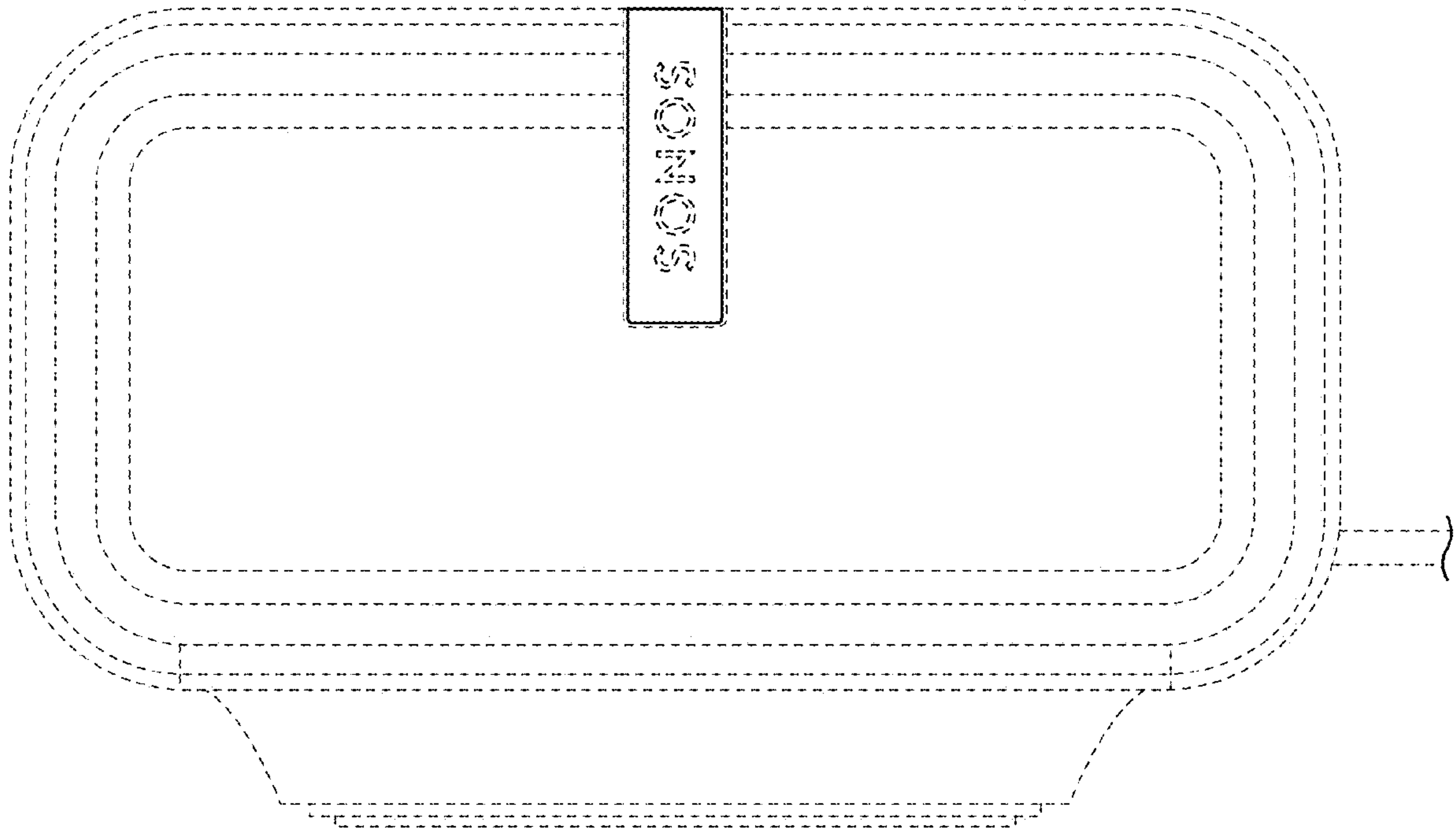


FIG. 24

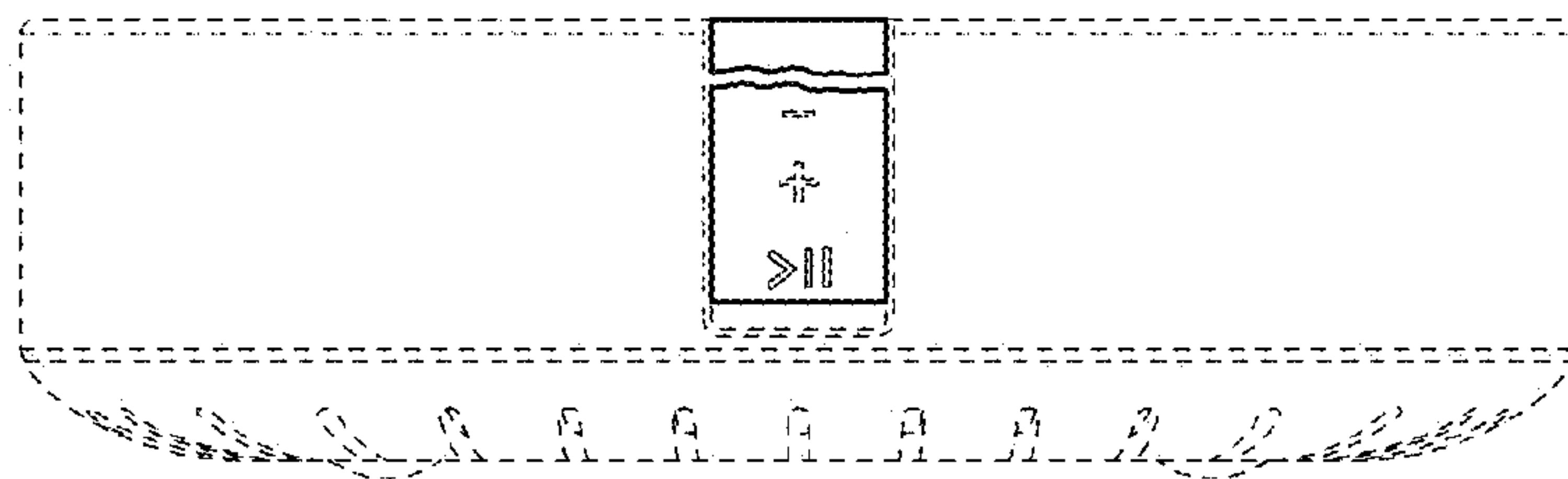


FIG. 25

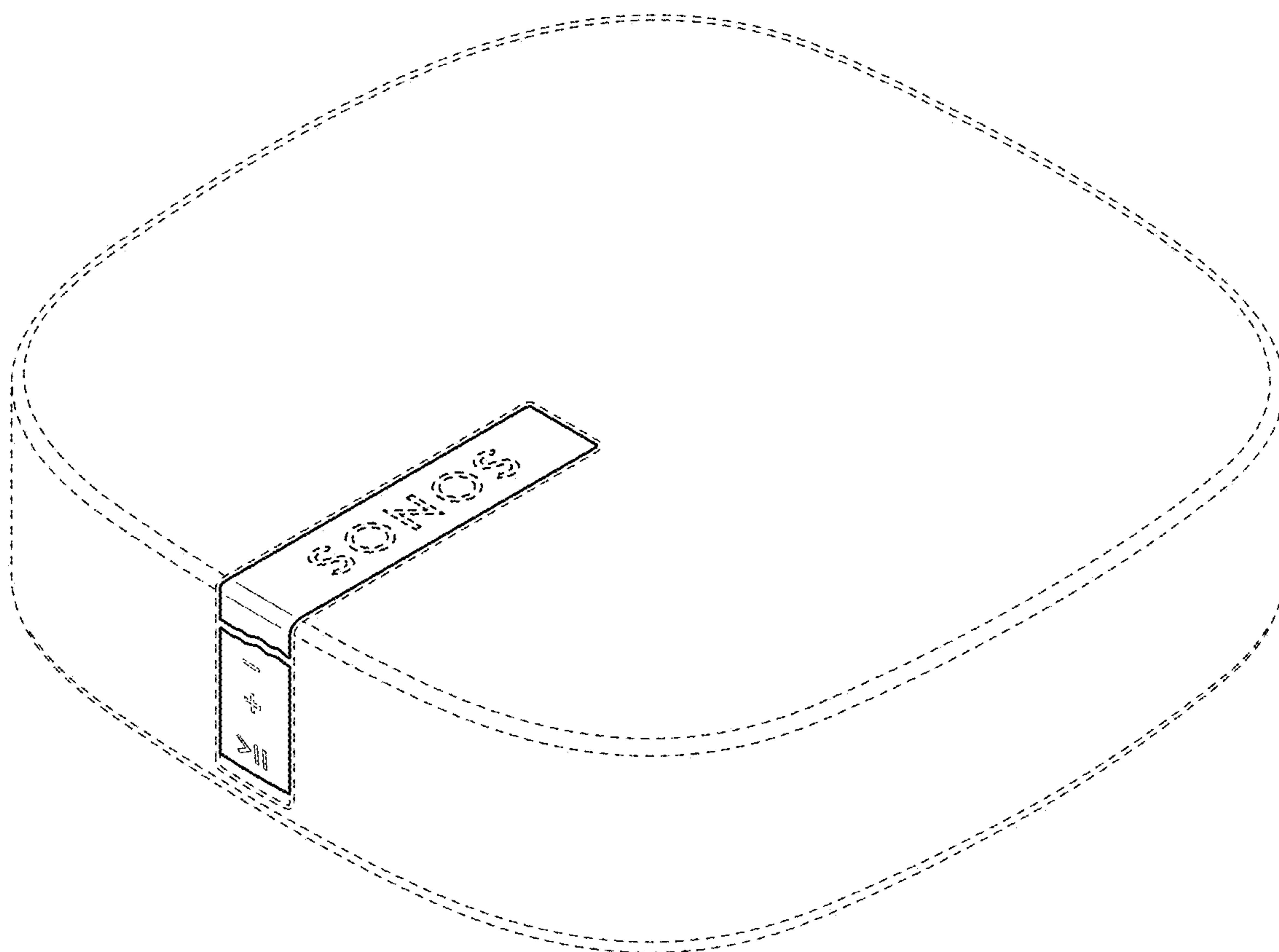


FIG. 26

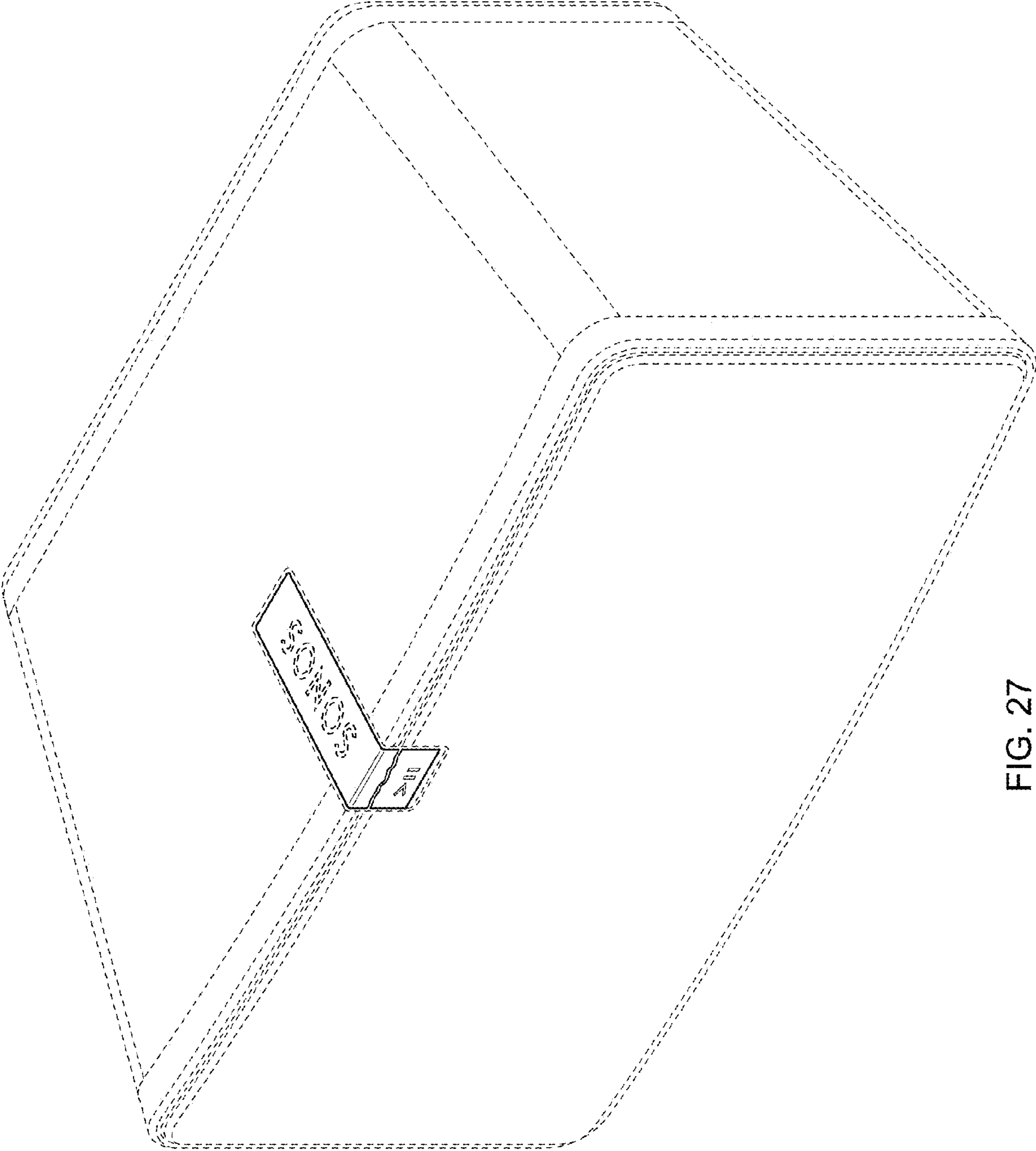


FIG. 27

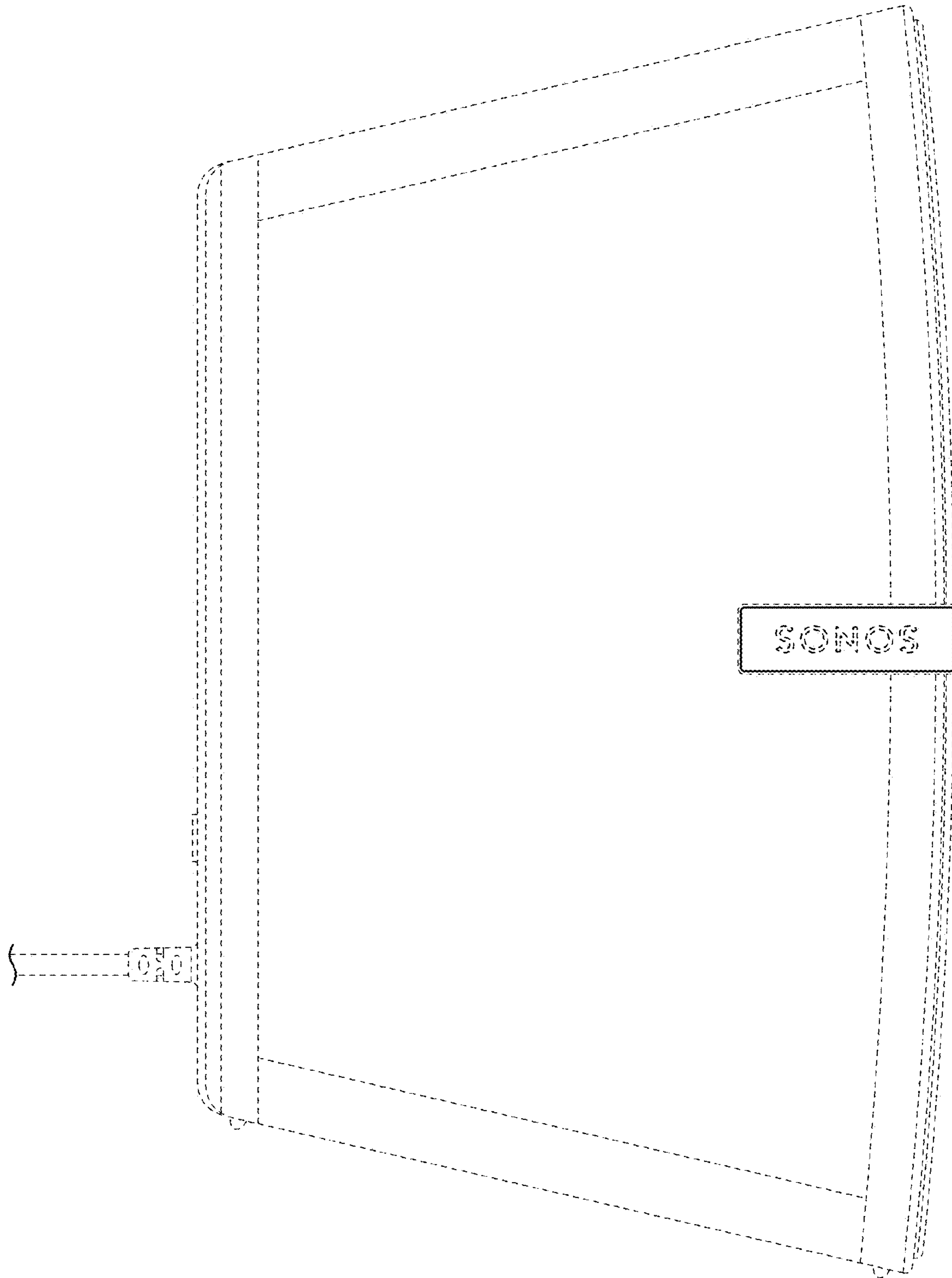


FIG. 28

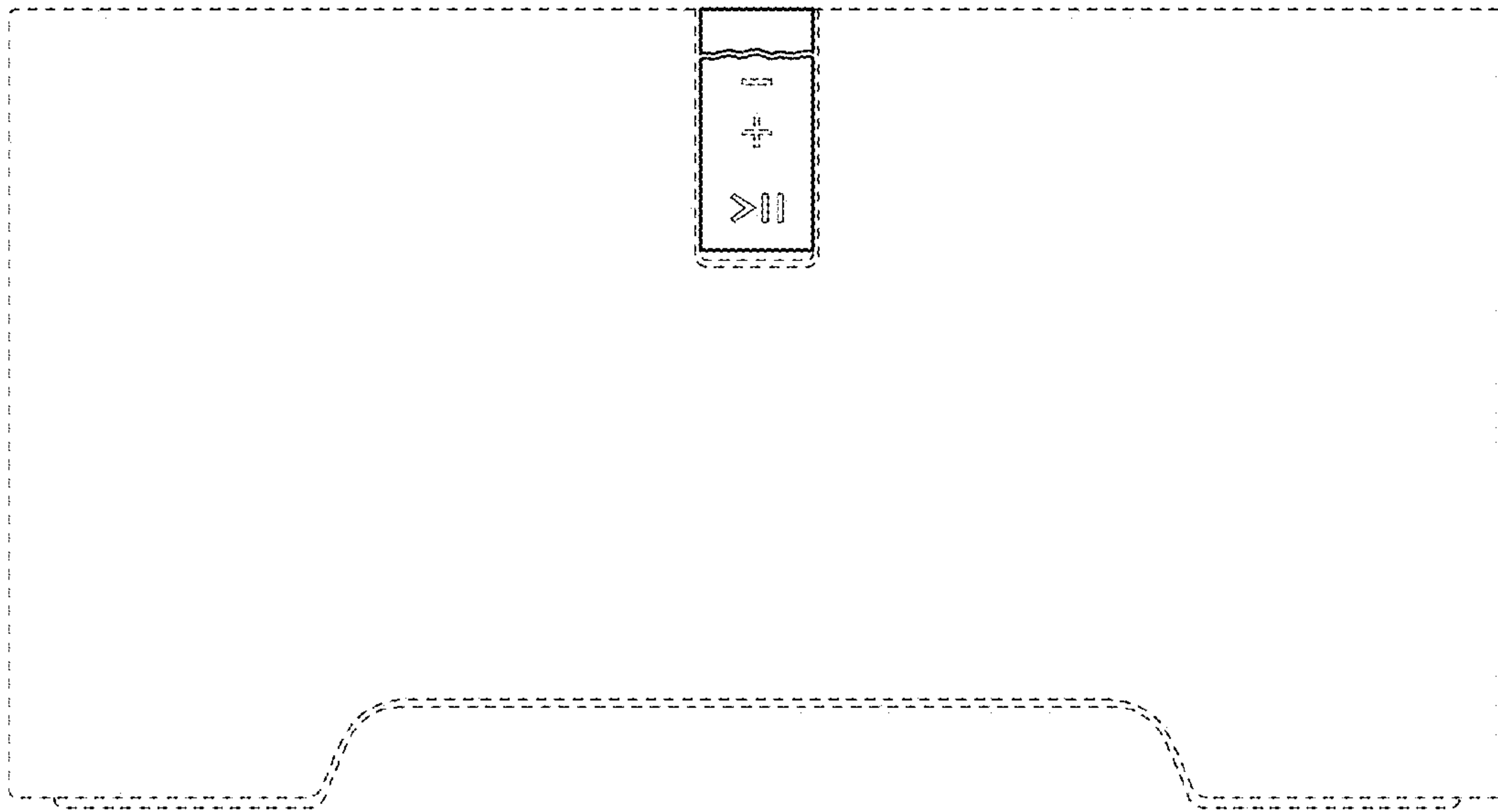


FIG. 29

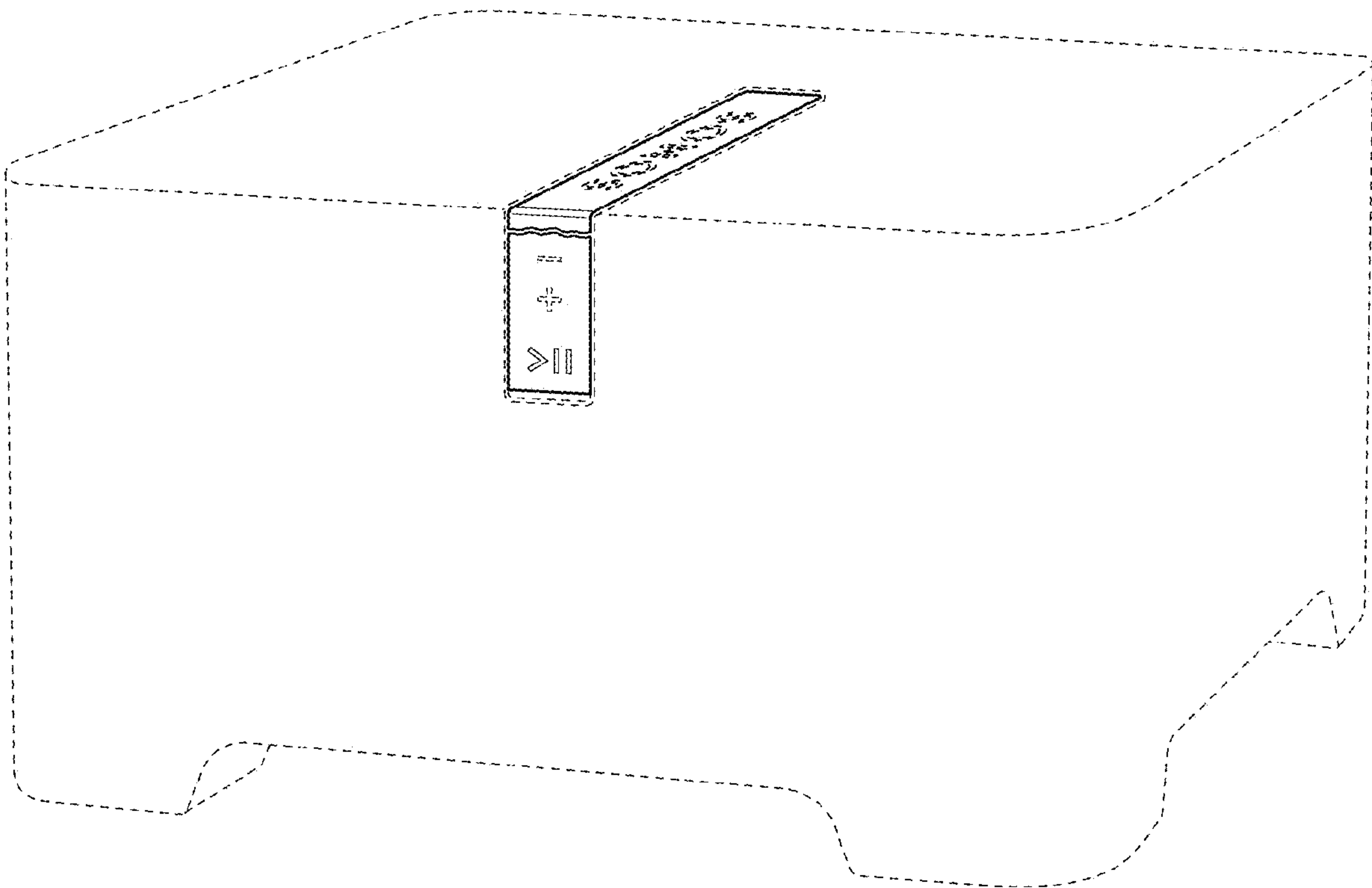


FIG. 30

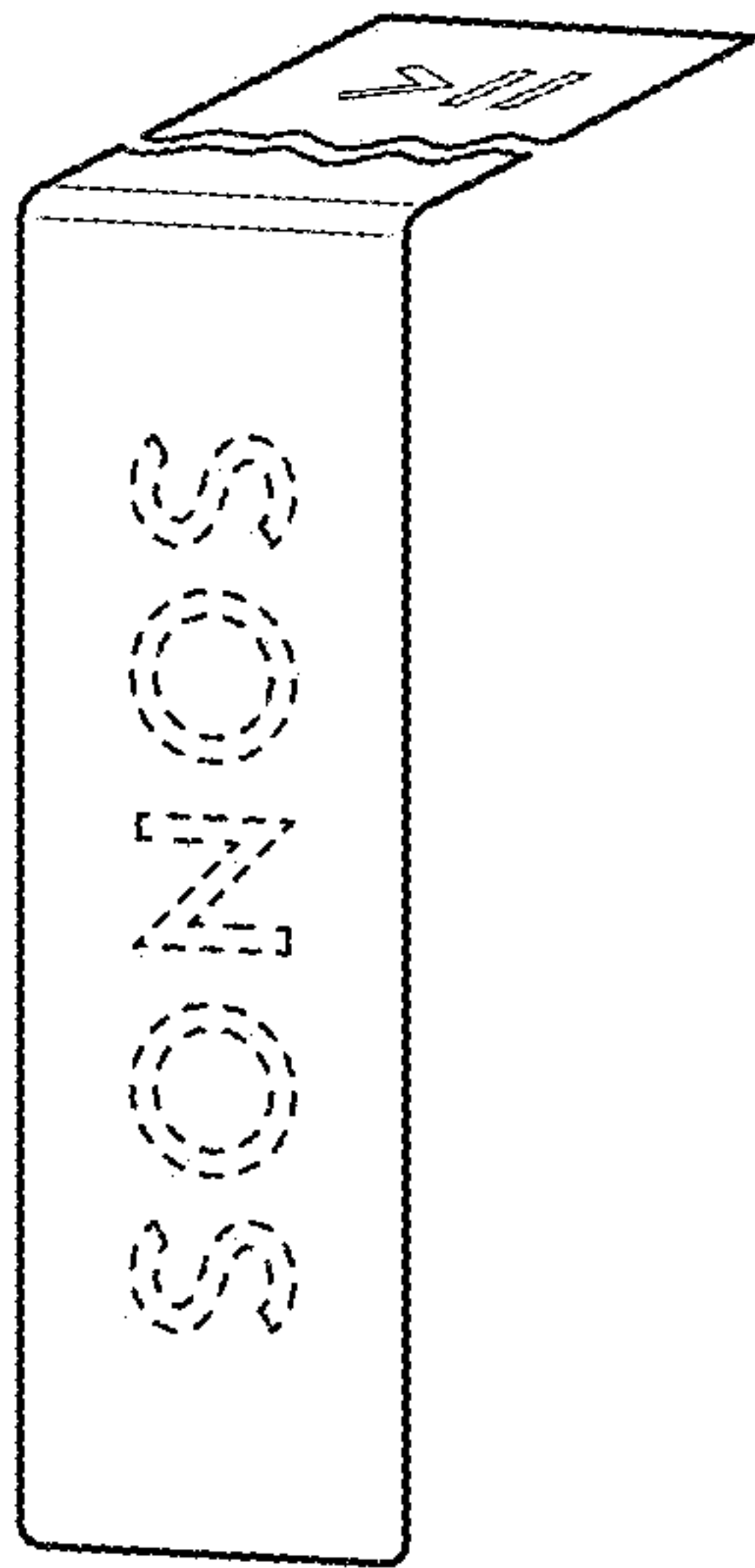


FIG. 31

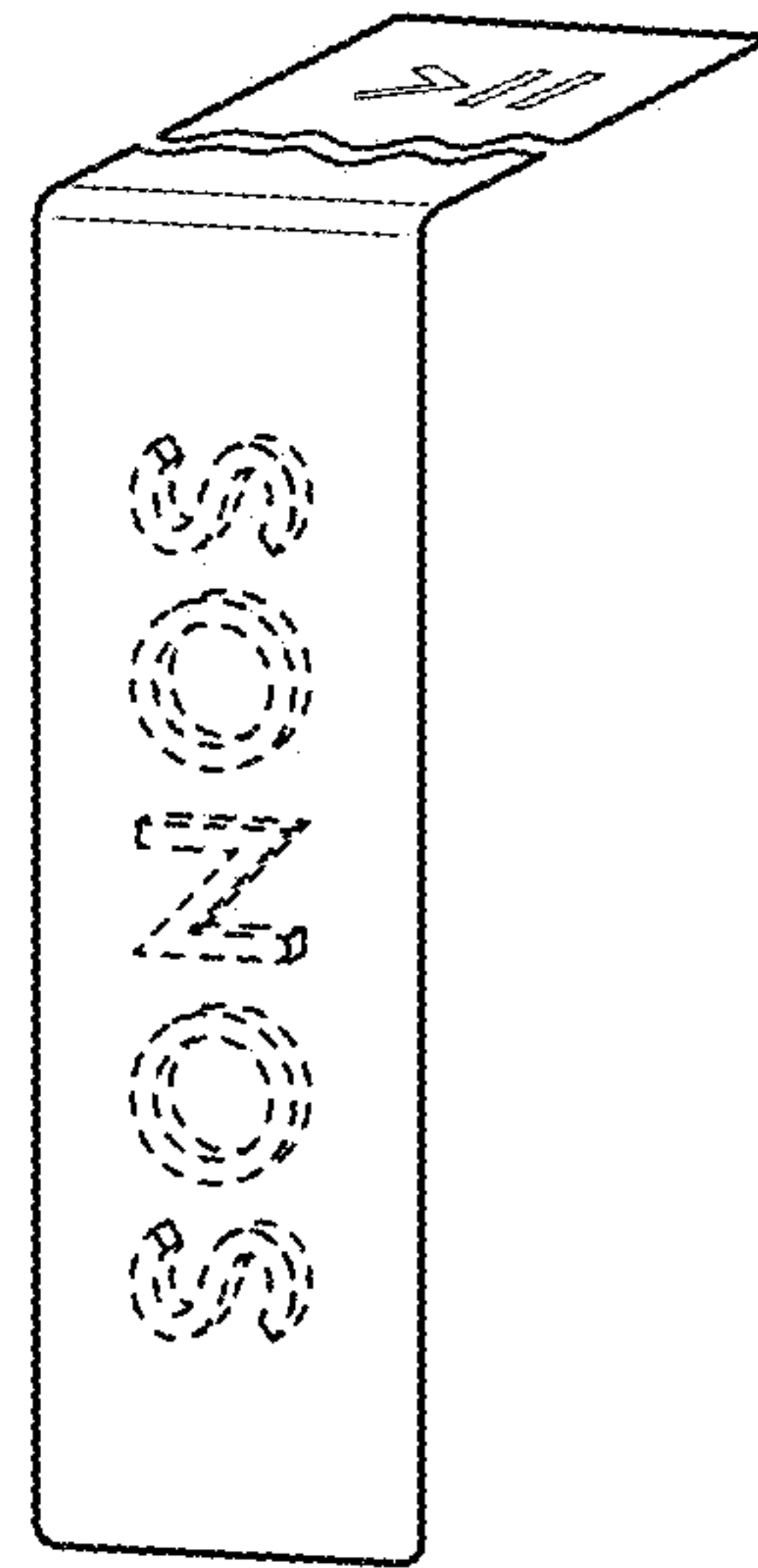


FIG. 32

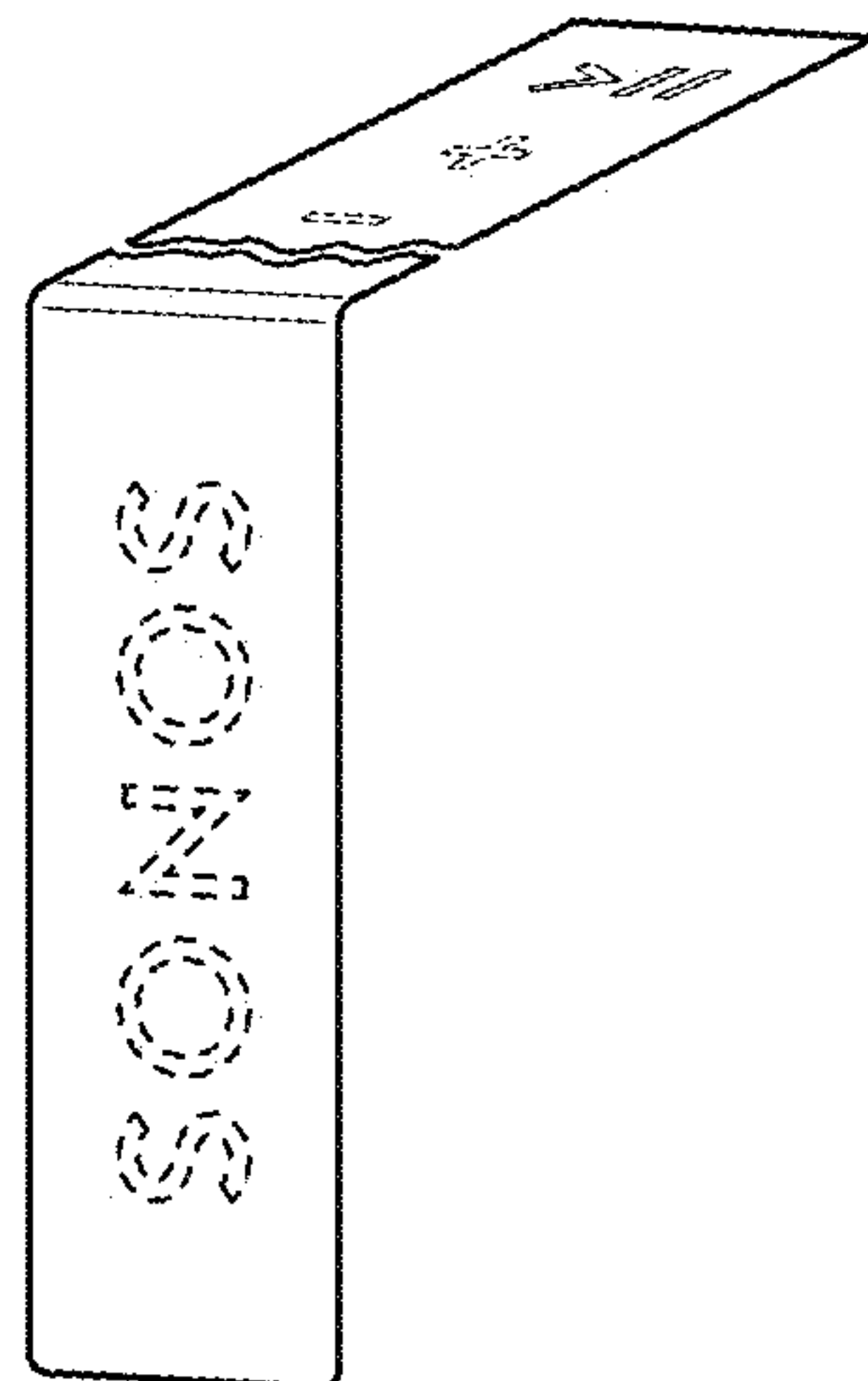


FIG. 33

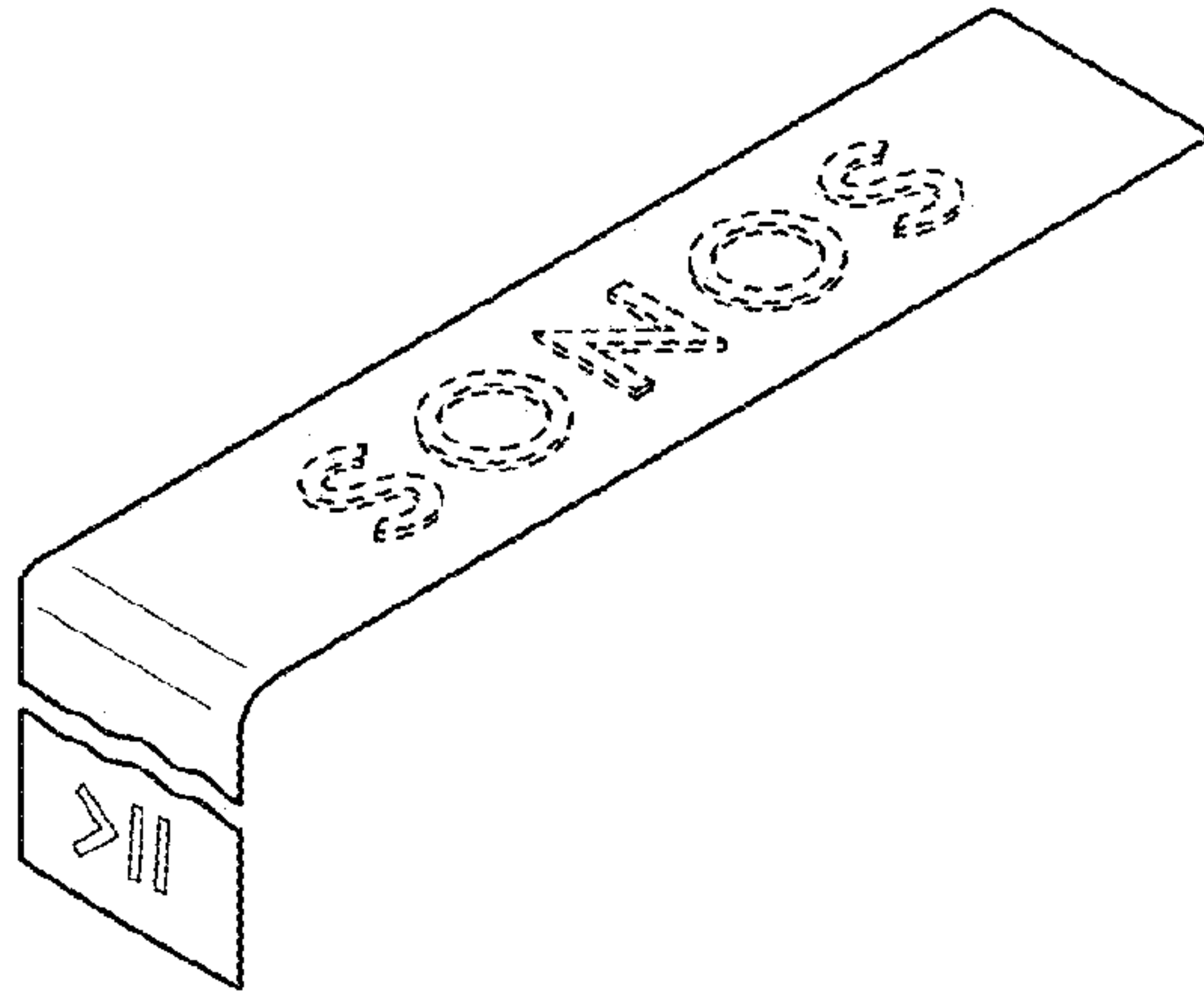


FIG. 34

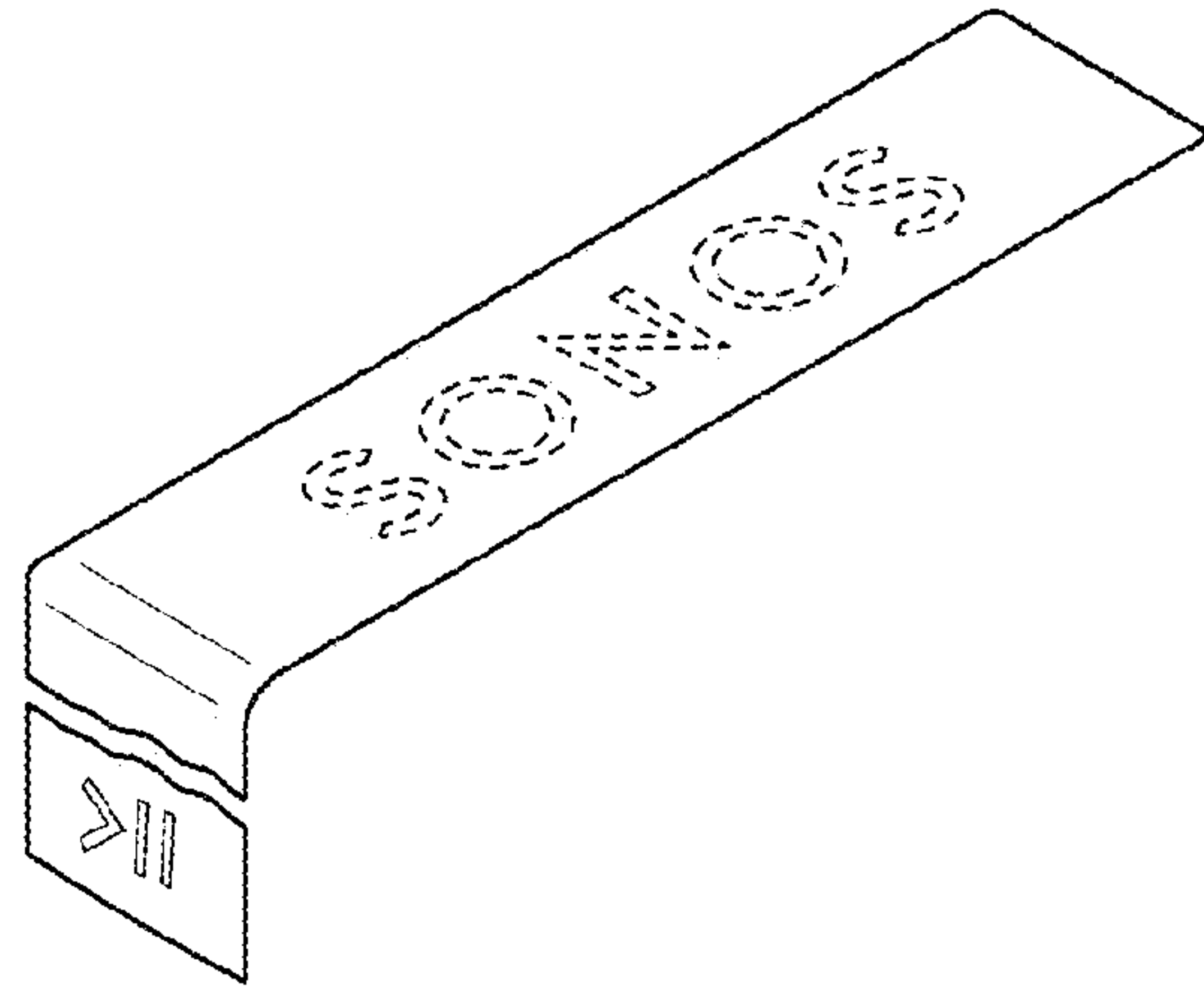


FIG. 35

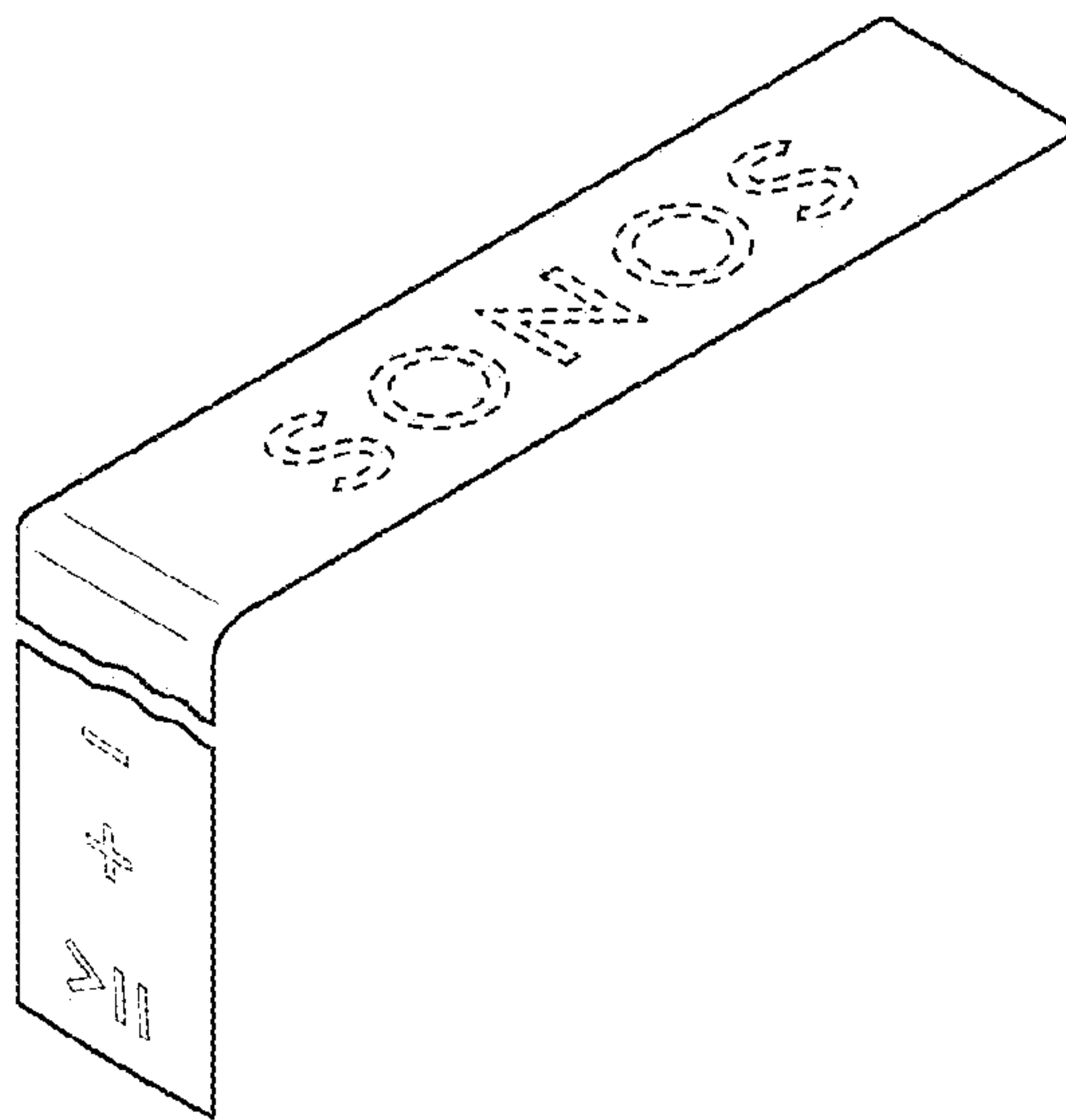


FIG. 36

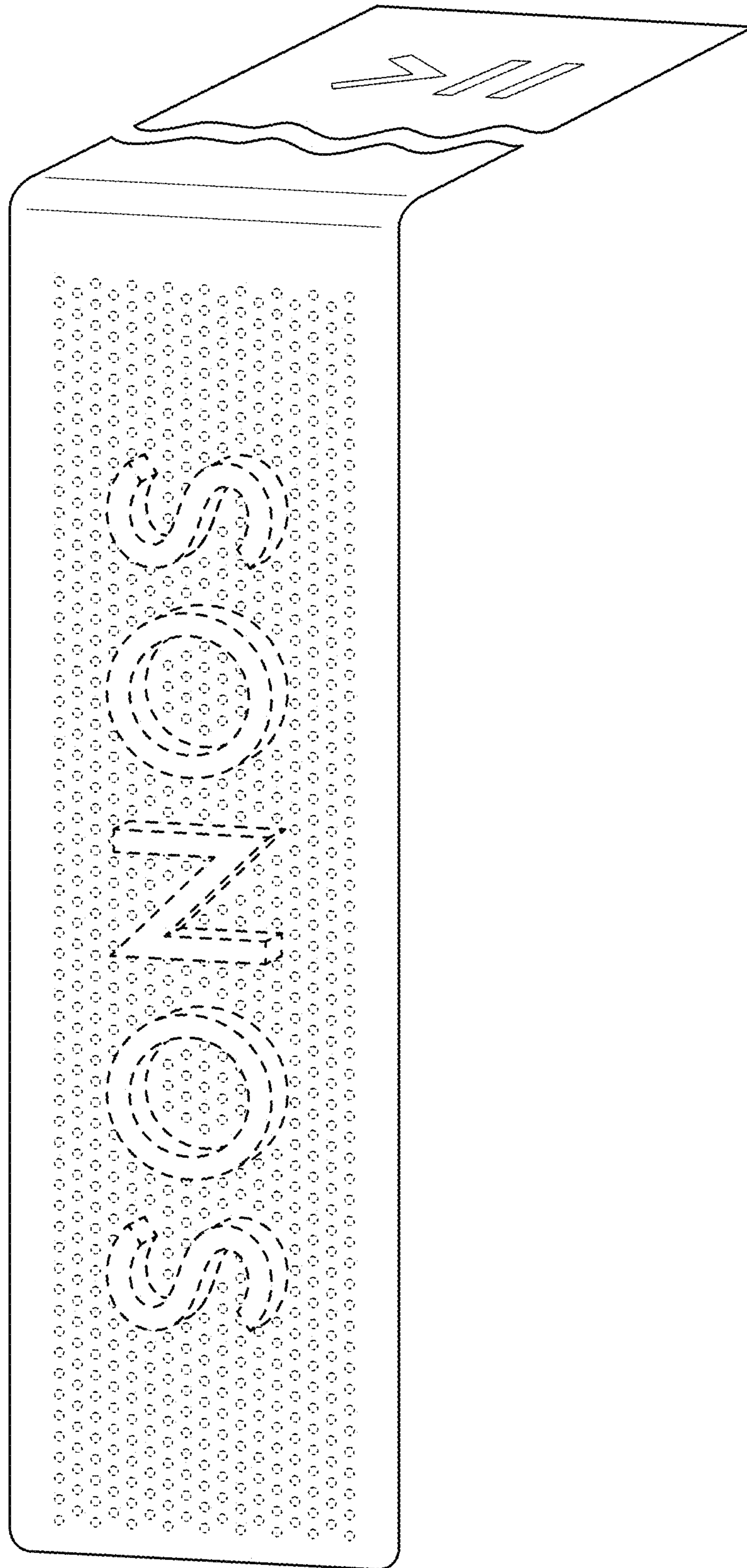


FIG. 37

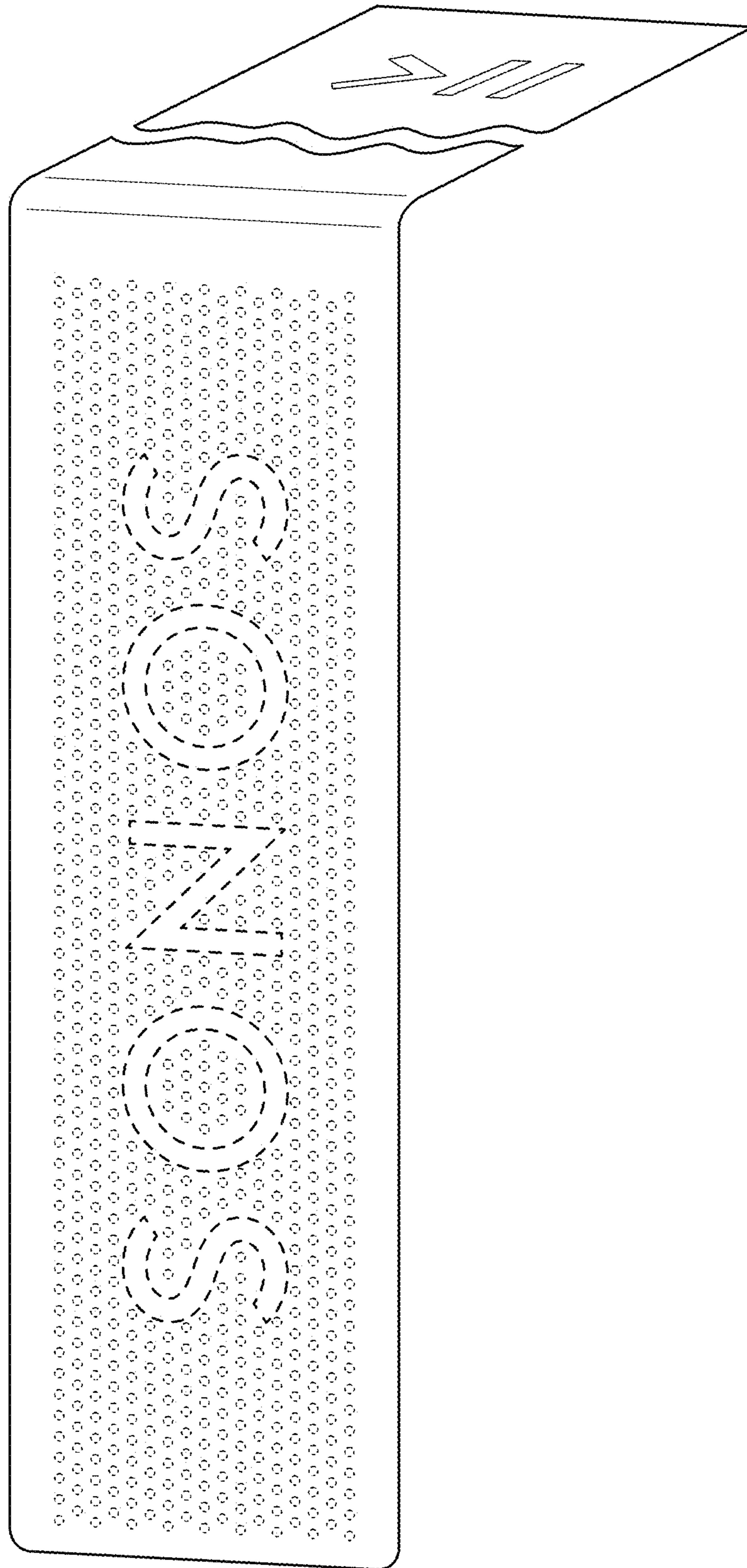


FIG. 38