



US00D927503S

(12) **United States Design Patent**
Li et al.

(10) **Patent No.:** **US D927,503 S**

(45) **Date of Patent:** **** Aug. 10, 2021**

(54) **DONGLE**

(71) Applicant: **AMBIT MICROSYSTEMS (SHANGHAI) LTD.**, Shanghai (CN)

(72) Inventors: **Ya-Ru Li**, Shenzhen (CN); **Xue-Ping Li**, Shenzhen (CN)

(73) Assignee: **AMBIT MICROSYSTEMS (SHANGHAI) LTD.**, Shanghai (CN)

(**) Term: **15 Years**

(21) Appl. No.: **29/728,892**

(22) Filed: **Mar. 23, 2020**

(30) **Foreign Application Priority Data**

Jan. 21, 2020 (CN) 202030042410.9

(51) **LOC (13) Cl.** **14-03**

(52) **U.S. Cl.**
USPC **D14/480.1**

(58) **Field of Classification Search**
USPC D14/480.1–480.7, 435.1, 411, 433, 436,
D14/484.1, 137, 155, 203.1–203.8, 240,
D14/242; D13/133, 154
CPC H05K 5/0278; G06K 19/07732
See application file for complete search history.

(56) **References Cited**

U.S. PATENT DOCUMENTS

D552,592 S * 10/2007 Deguchi D14/480.7
D574,822 S * 8/2008 Bhavnani D10/15

D582,419 S * 12/2008 Sheba D14/480.5
D639,303 S * 6/2011 Ni D14/480.7
D737,201 S * 8/2015 Liu D13/108
D753,090 S * 4/2016 Langhammer D14/203.3
D754,139 S * 4/2016 Billington D14/480.1
D798,308 S * 9/2017 Tzeng D14/480.5
D803,842 S * 11/2017 Daniel D14/480.3
D805,087 S * 12/2017 Sumii D14/480.1
D862,385 S * 10/2019 Turksu D13/108
D887,419 S * 6/2020 Roberts D14/480.7
D909,296 S * 2/2021 Chen D13/110

* cited by examiner

Primary Examiner — Angela J Lee

(74) *Attorney, Agent, or Firm* — ScienBiziP, P.C.

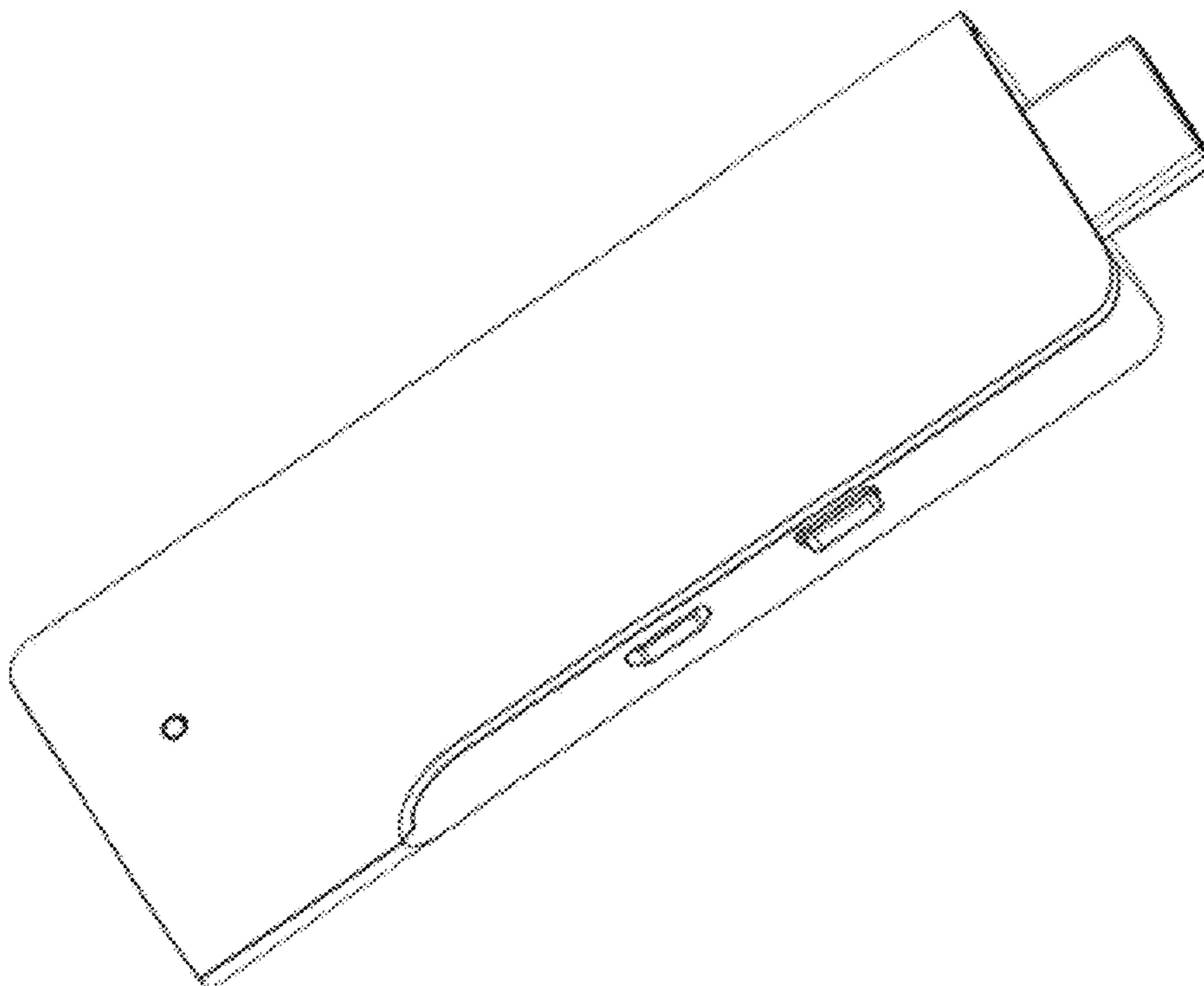
(57) **CLAIM**

The ornamental design for a dongle, as shown and described.

DESCRIPTION

FIG. 1 is a perspective 1 view of a dongle;
FIG. 2 is a perspective 2 view of a dongle;
FIG. 3 is a front elevational view thereof;
FIG. 4 is a rear elevational view thereof;
FIG. 5 is a left side elevational view thereof;
FIG. 6 is a right side elevational view thereof;
FIG. 7 is a top plan view thereof; and,
FIG. 8 is a bottom plan view thereof.

1 Claim, 8 Drawing Sheets



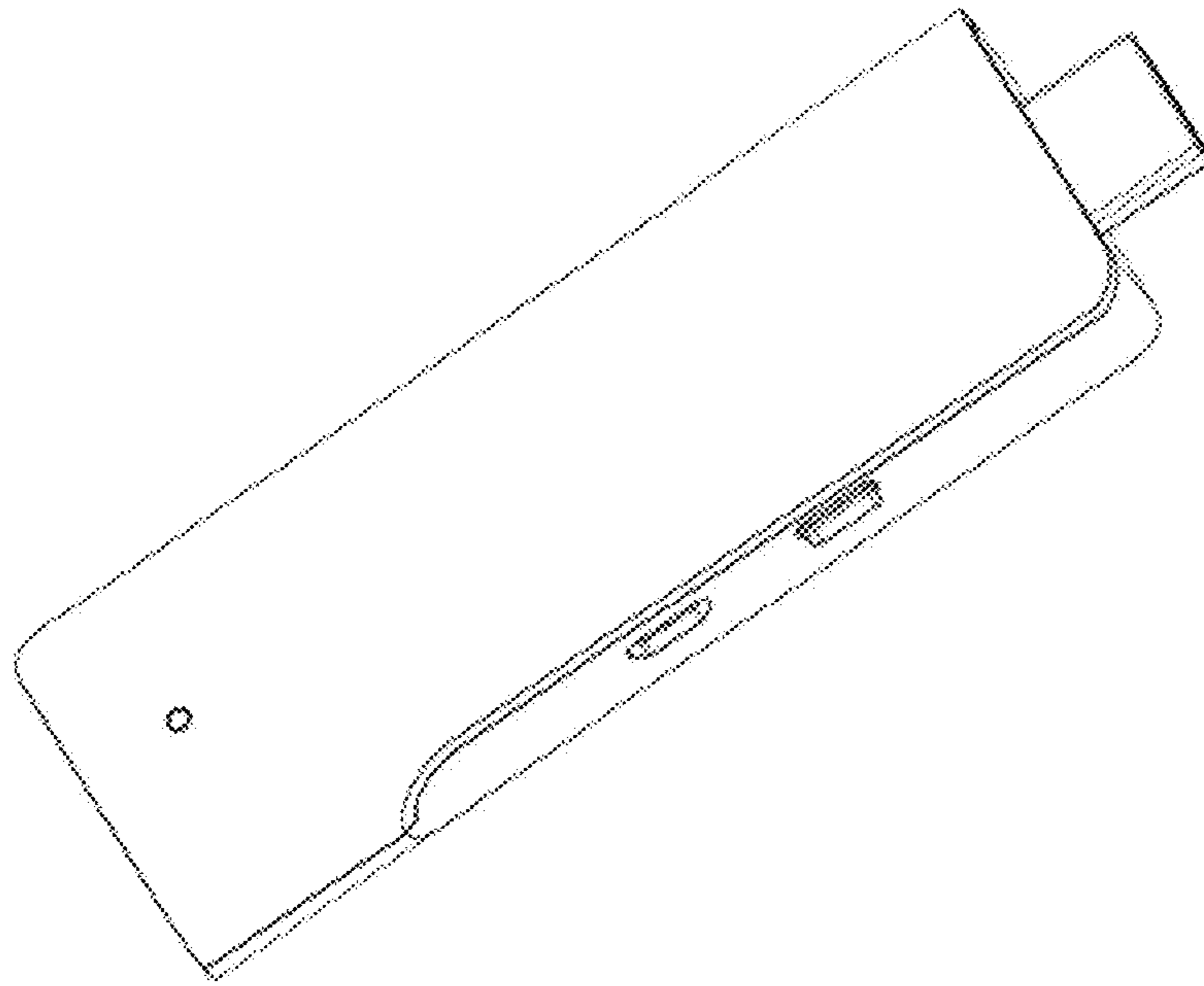


FIG. 1

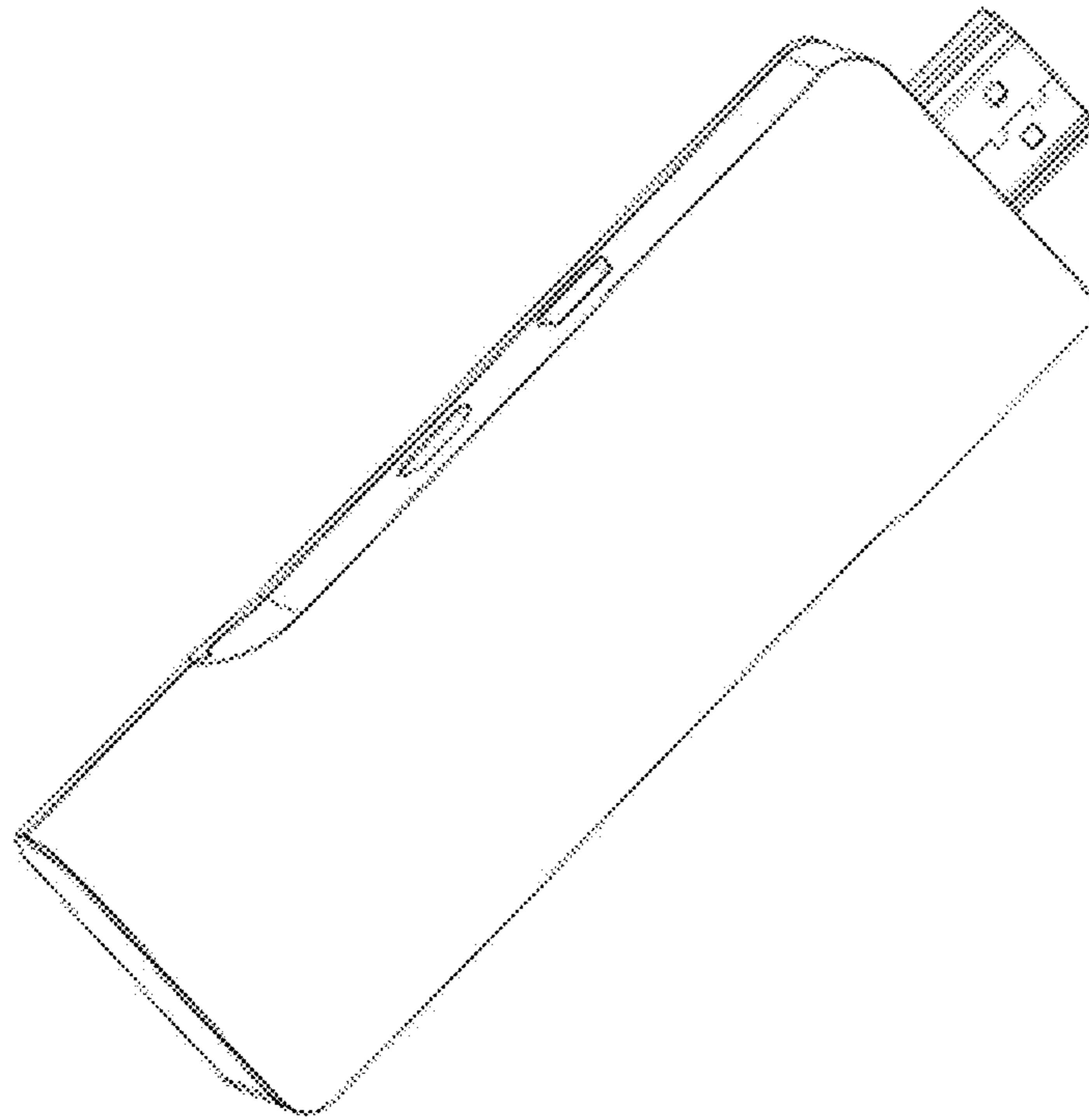


FIG. 2

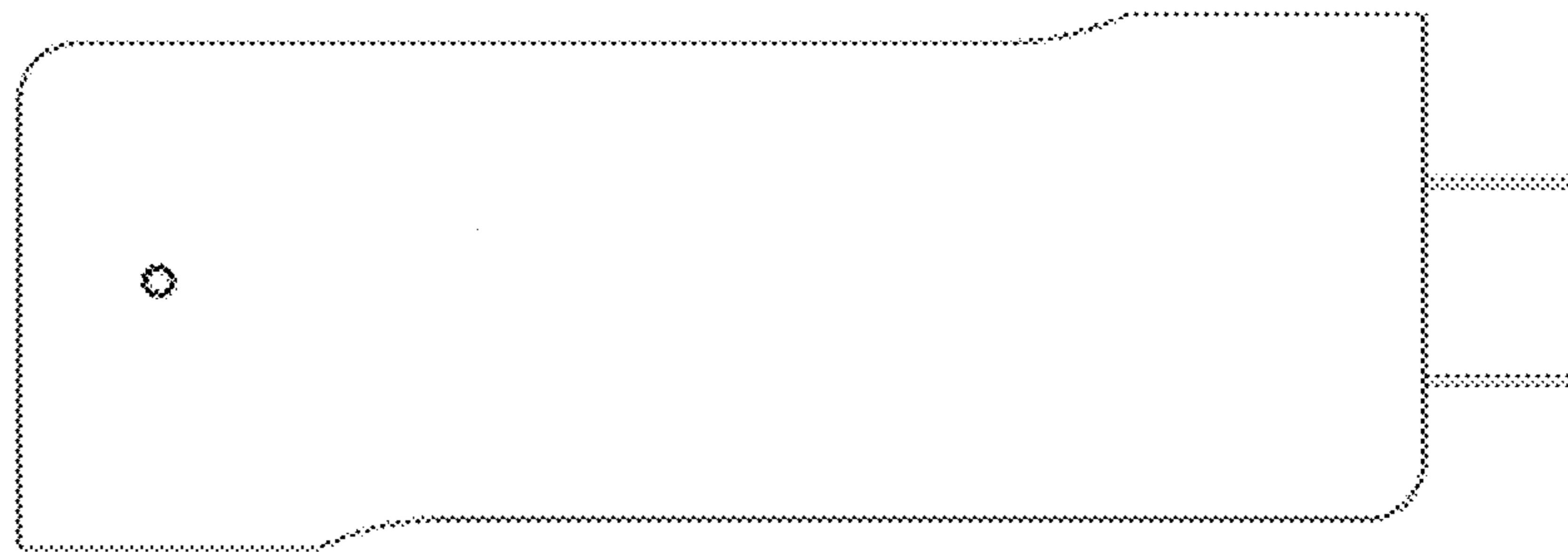


FIG. 3

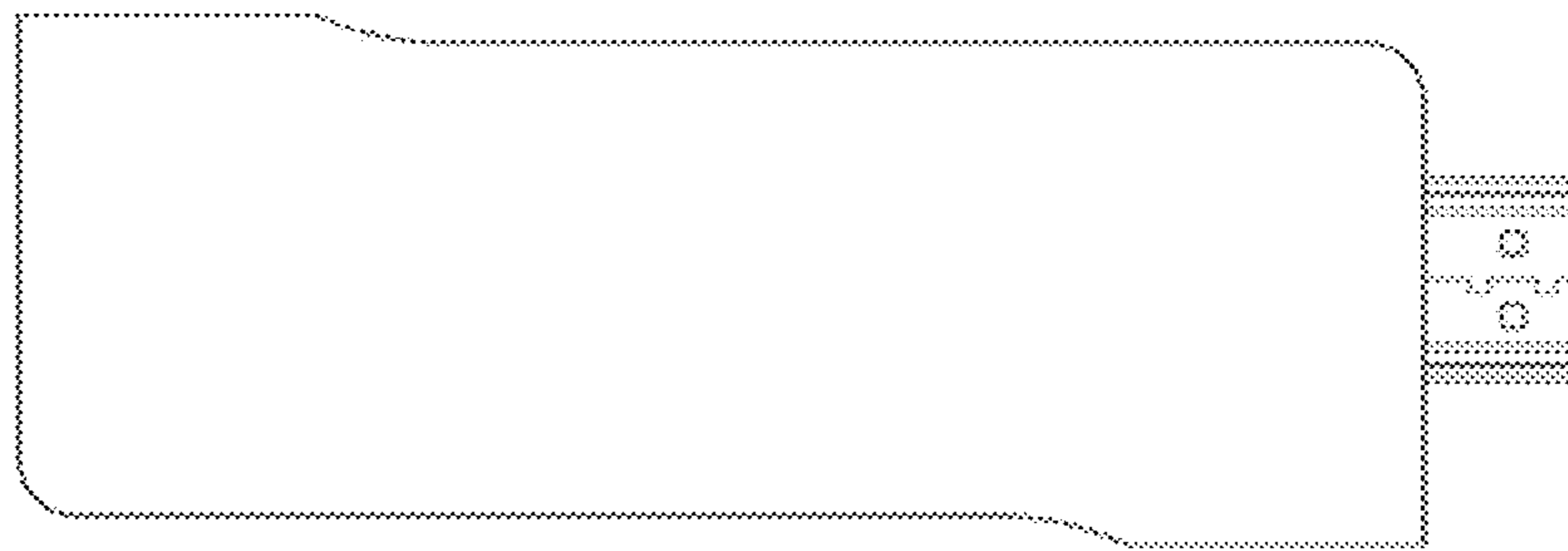


FIG. 4

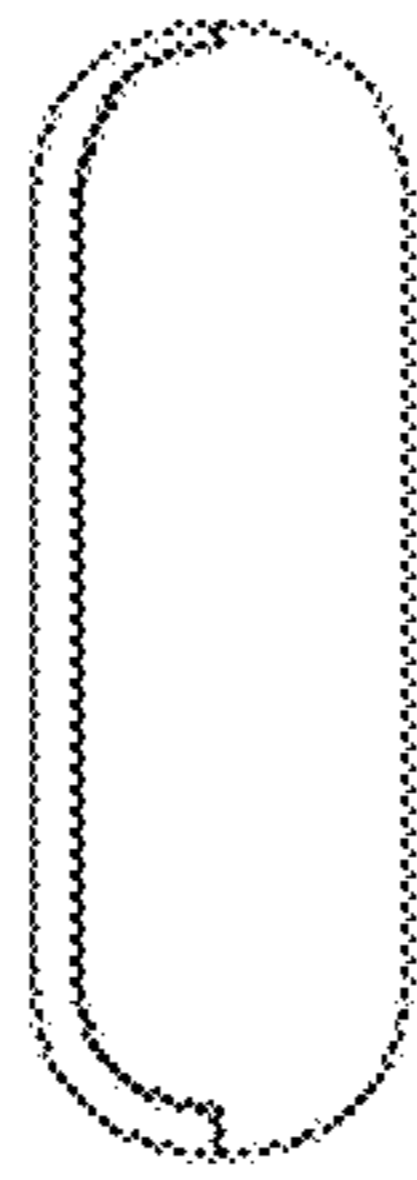


FIG. 5

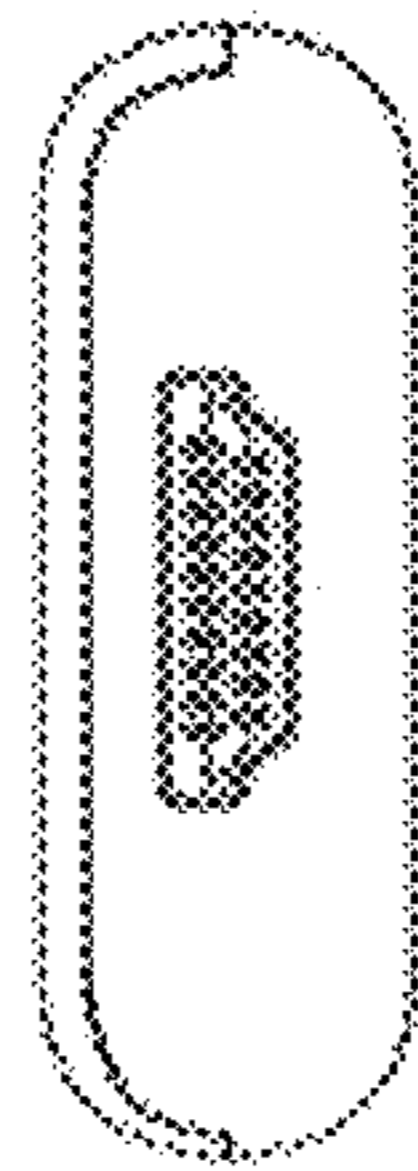


FIG. 6

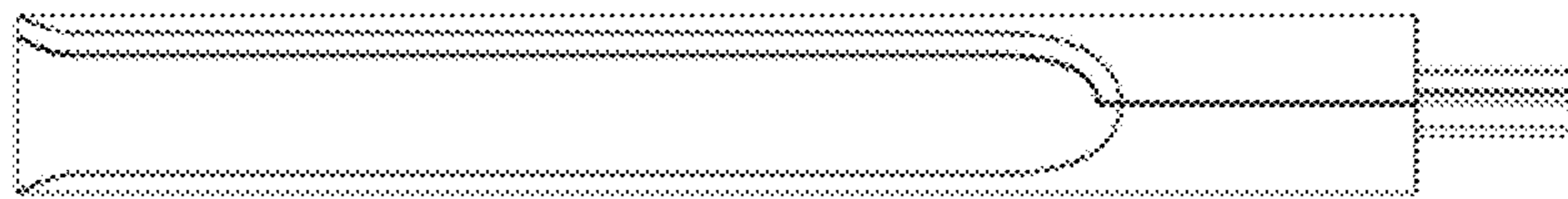


FIG. 7

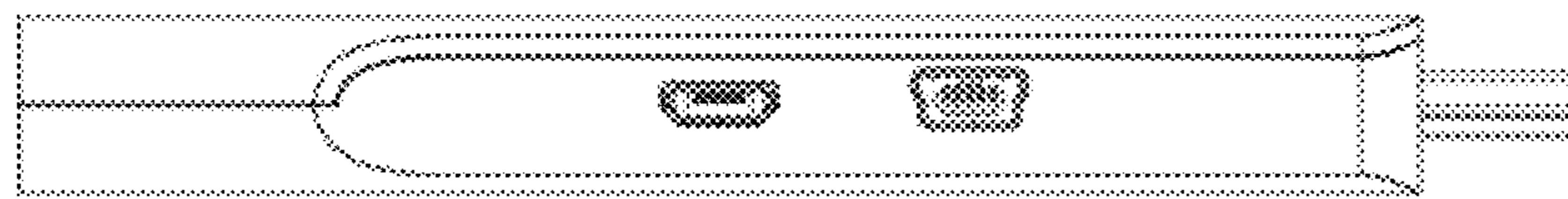


FIG. 8