



US00D927502S

(12) **United States Design Patent** (10) **Patent No.:** **US D927,502 S**  
**Akana et al.** (45) **Date of Patent:** **\*\* Aug. 10, 2021**

(54) **MOUNT FOR AN ELECTRONIC DEVICE**  
(71) Applicant: **Apple Inc.**, Cupertino, CA (US)  
(72) Inventors: **Jody Akana**, San Francisco, CA (US); **Molly Anderson**, San Francisco, CA (US); **Bartley K. Andre**, Palo Alto, CA (US); **Shota Aoyagi**, San Francisco, CA (US); **Anthony Michael Ashcroft**, San Francisco, CA (US); **Marine C. Bataille**, San Francisco, CA (US); **Jeremy Bataillou**, San Francisco, CA (US); **Abidur Chowdhury**, San Francisco, CA (US); **Markus Diebel**, San Francisco, CA (US); **Daniele De Iuliis**, San Francisco, CA (US); **M. Evans Hankey**, San Francisco, CA (US); **Julian Hoenig**, San Francisco, CA (US); **Richard P. Howarth**, San Francisco, CA (US); **Jonathan P. Ive**, San Francisco, CA (US); **Julian Jaede**, San Francisco, CA (US); **Duncan Robert Kerr**, San Francisco, CA (US); **Peter Russell-Clarke**, San Francisco, CA (US); **Benjamin Andrew Shaffer**, San Jose, CA (US); **Mikael Silvano**, San Francisco, CA (US); **Joe Sung-Ho Tan**, San Francisco, CA (US); **Clement Tissandier**, San Francisco, CA (US); **Eugene Antony Whang**, San Francisco, CA (US); **Rico Zörkendörfer**, San Francisco, CA (US)

(73) Assignee: **Apple Inc.**, Cupertino, CA (US)

(\*\*) Term: **15 Years**

(21) Appl. No.: **29/693,306**

(22) Filed: **May 31, 2019**

(51) **LOC (13) Cl.** ..... **14-02**

(52) **U.S. Cl.**  
USPC ..... **D14/452**

(58) **Field of Classification Search**  
USPC ..... D14/371-382, 125-129, 335-337, D14/447-452, 492, 239, 457, 439-441, D14/432, 251-253; D8/349, 354, 363, D8/373, 376, 380; 348/180, 184, 325, 348/739, 825; D12/407, 415; D3/218; 341/12; D13/108  
CPC ..... G06F 3/0412; G06F 3/016; G06F 3/0488; G06F 3/011; G06F 3/038; G06F 3/03543; G06F 3/0338; G06F 3/0202; G06F 3/0219; G06F 3/0213; G06F 1/1616; G06F 3/023;  
(Continued)

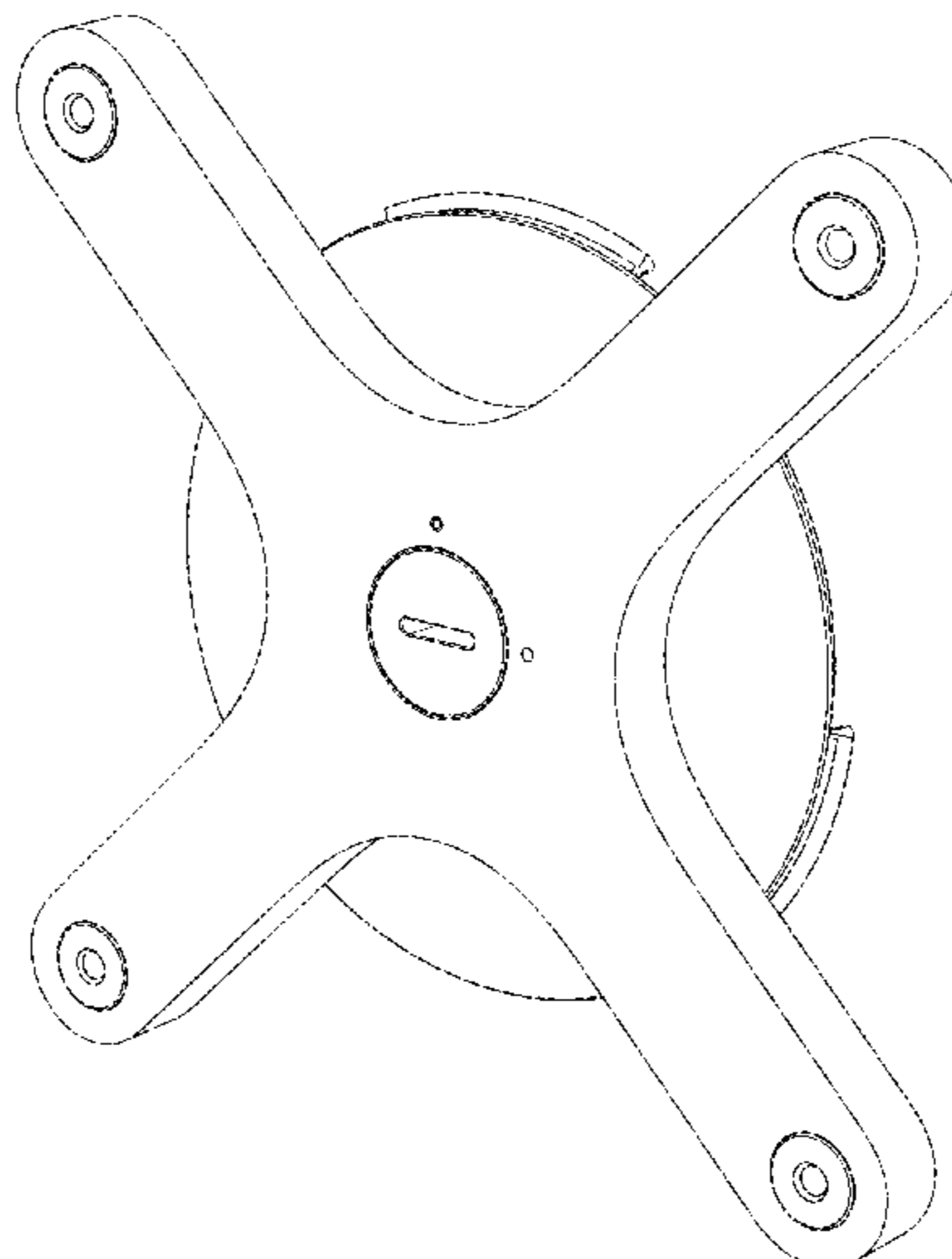
(56) **References Cited**  
U.S. PATENT DOCUMENTS  
D536,603 S \* 2/2007 Worrall ..... D8/363  
D565,938 S \* 4/2008 Massoumi ..... D8/363  
(Continued)

*Primary Examiner* — Katie Jane Stofko  
(74) *Attorney, Agent, or Firm* — Saidman DesignLaw Group, LLC

(57) **CLAIM**  
The ornamental design for a mount for an electronic device, as shown and described.

**DESCRIPTION**  
FIG. 1 is a front perspective view of a mount for an electronic device showing our new design;  
FIG. 2 is a front view thereof;  
FIG. 3 is a rear view thereof;  
FIG. 4 is a right side view, the left side view being a mirror image thereof;  
FIG. 5 is a top view thereof;  
FIG. 6 is a bottom view thereof; and,  
FIG. 7 is a rear perspective view thereof.  
The drawings include surface shading which illustrates contour and not surface ornamentation.

**1 Claim, 6 Drawing Sheets**



(58) **Field of Classification Search**

CPC ..... G06F 3/04883; G02F 1/13338; G02F  
1/1313; G02F 1/1333; G02F 1/135; G02F  
1/132; G02F 1/133308; G02F 1/134309;  
G02F 1/13718; G09G 3/3648; G06K  
15/1252; B41J 2/465; G03F 7/70291;  
G02B 27/0172; G02B 5/30; G02B  
2027/0118; G02B 27/0101; F16M 13/02;  
F16M 13/00; F16M 11/10; F16M 11/04;  
F16M 2200/08; F16M 11/2021; A47B  
21/0314; A47B 88/044; A47B 2021/0335;  
F16B 47/00; F16B 47/006; H02G 3/126;  
A47G 1/17; A47K 2201/00

See application file for complete search history.

(56) **References Cited**

U.S. PATENT DOCUMENTS

D568,144	S	*	5/2008	Wohlford	.....	D14/451
D576,633	S	*	9/2008	Muday	.....	D14/452
D637,593	S	*	5/2011	Zanetti	.....	D14/253
D641,610	S	*	7/2011	Sedalo	.....	D8/354
D652,836	S	*	1/2012	Voorhees	.....	D14/447
D658,040	S	*	4/2012	Ghatikar	.....	D8/354
D669,481	S	*	10/2012	Prescott	.....	D14/447
D673,960	S	*	1/2013	Lindfield	.....	D14/447
D715,622	S	*	10/2014	Qu	.....	D8/349
D721,573	S	*	1/2015	Fievet	.....	D8/382
D832,087	S	*	10/2018	Fievet	.....	D8/382

\* cited by examiner

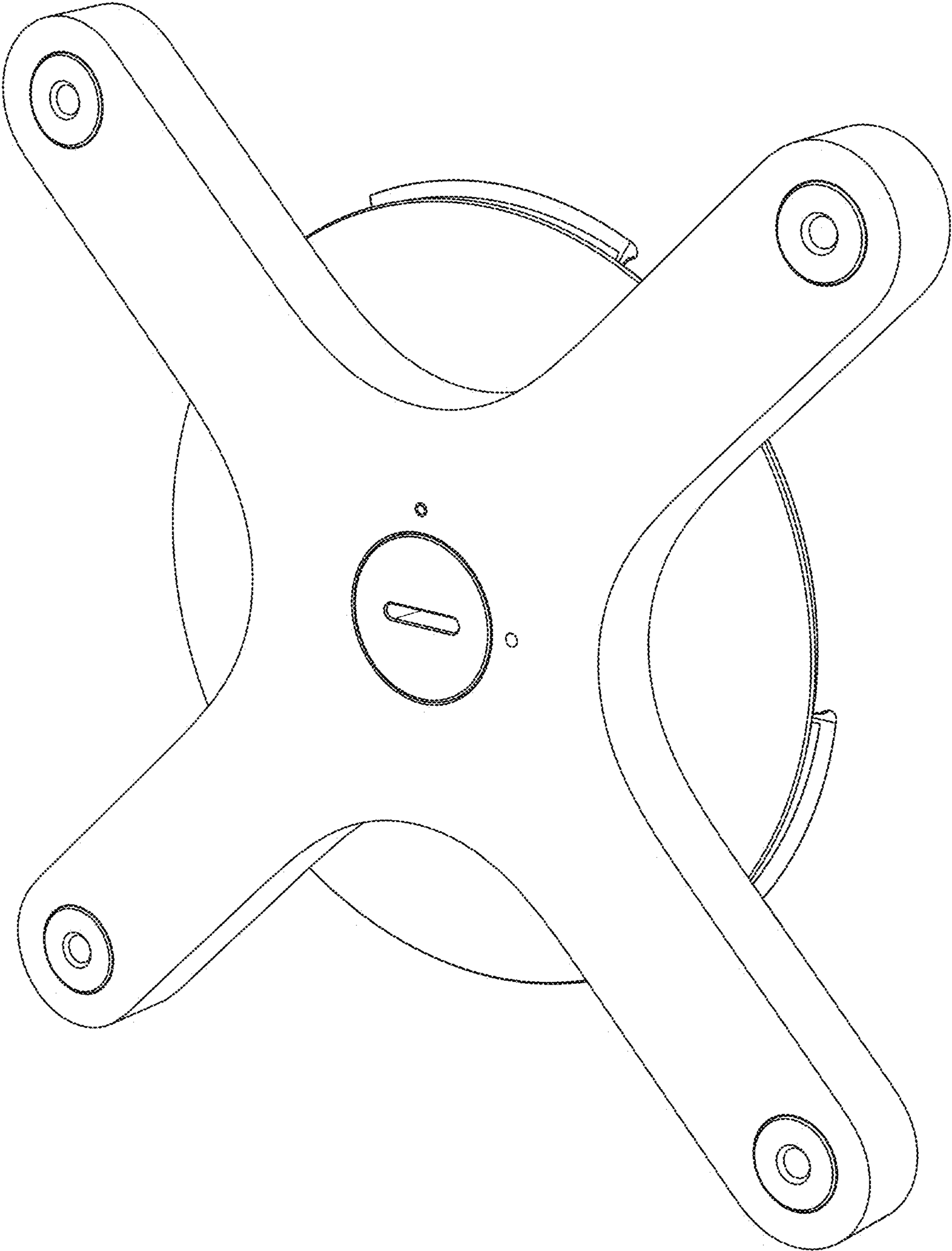


FIG. 1

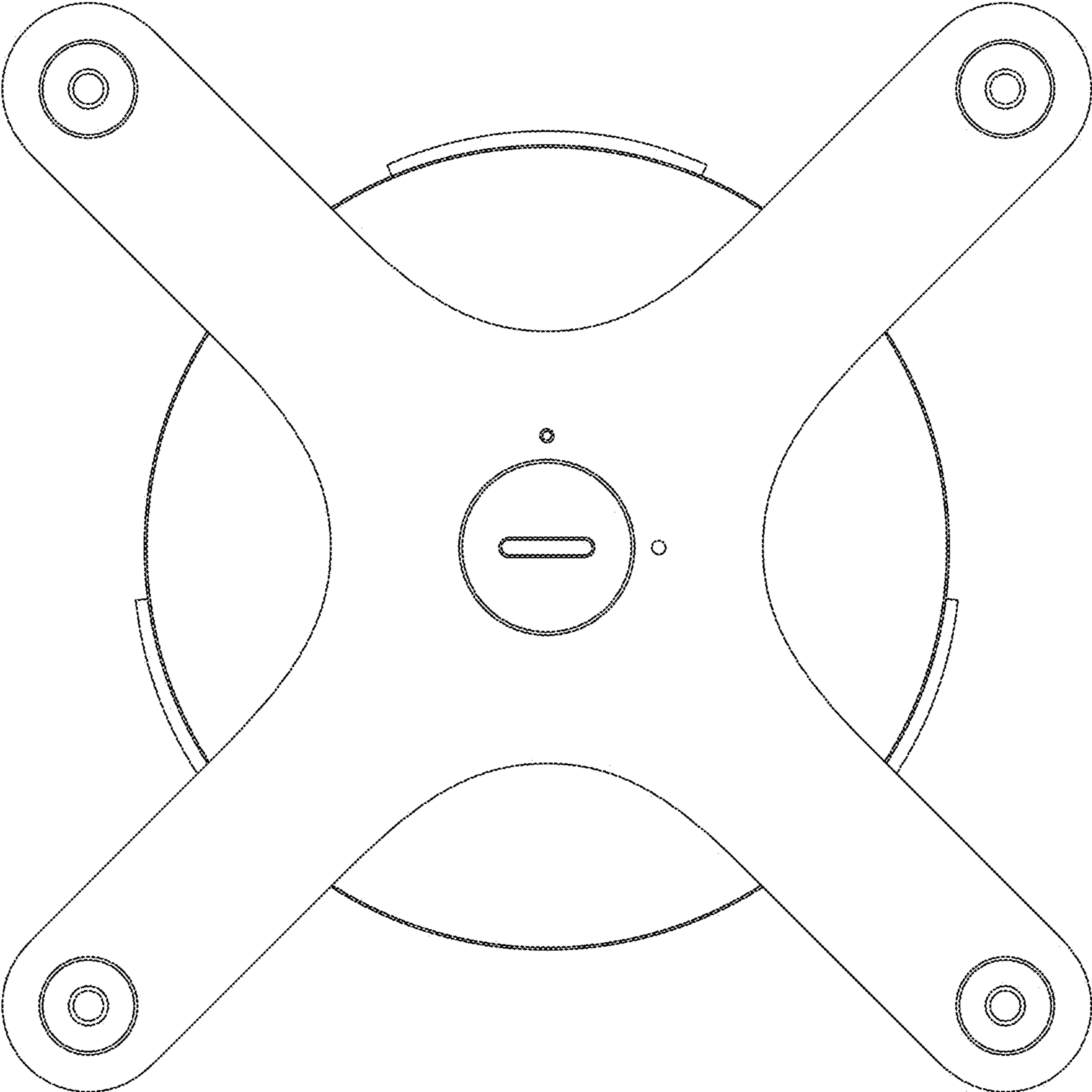


FIG. 2

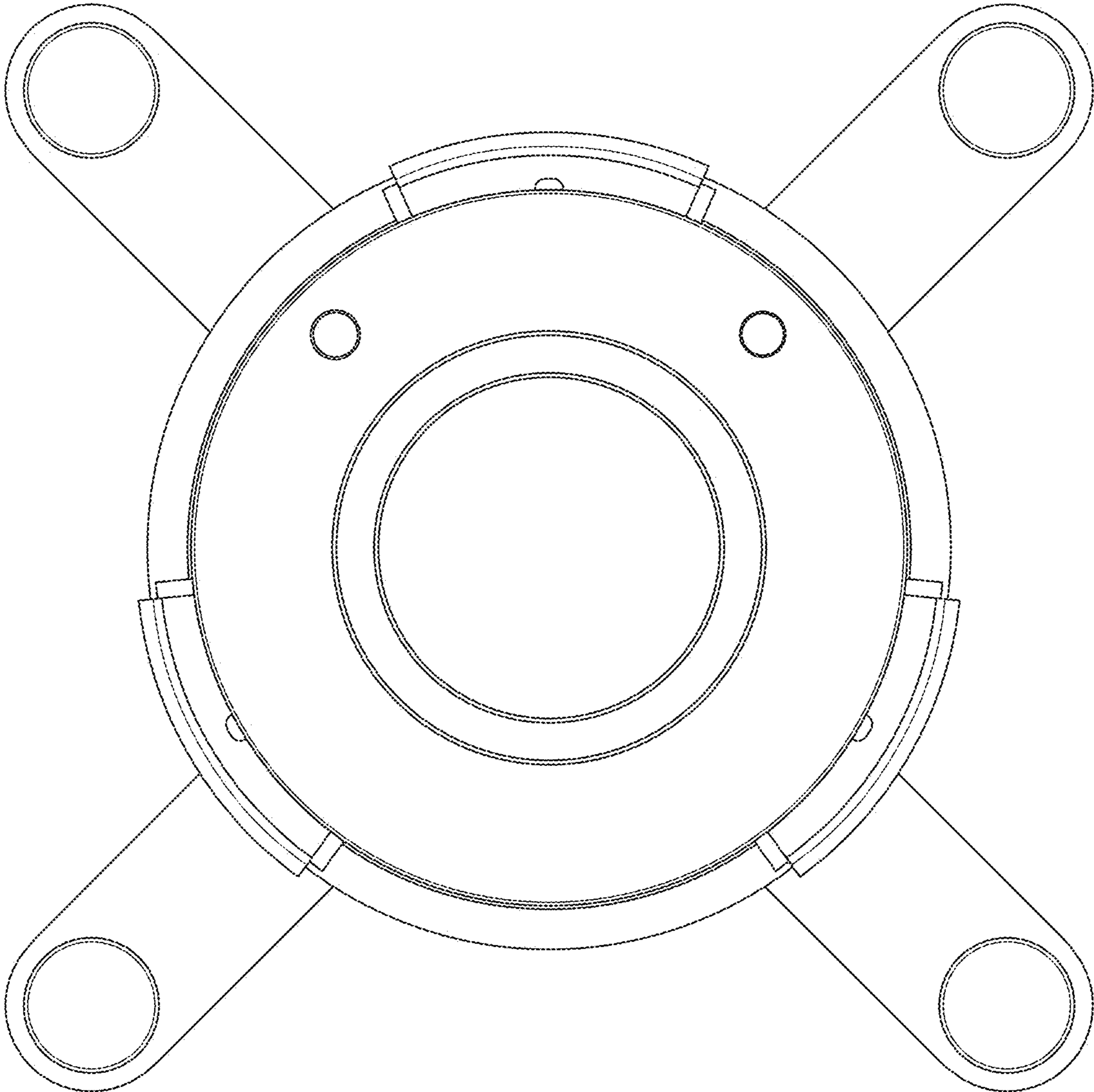


FIG. 3

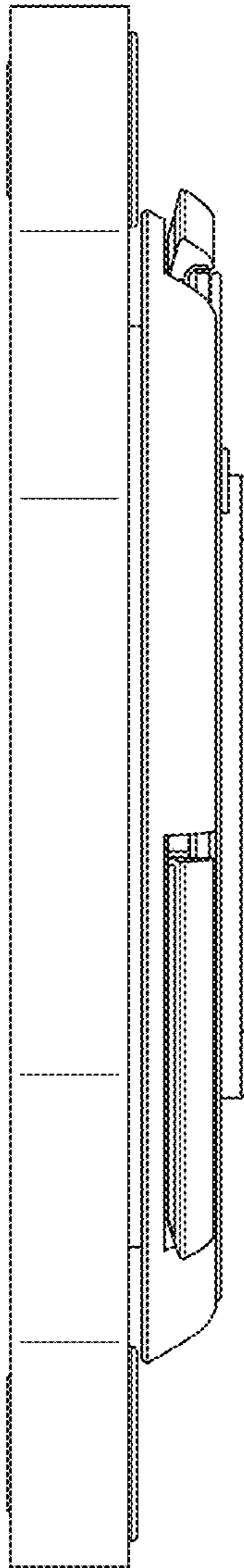


FIG. 4

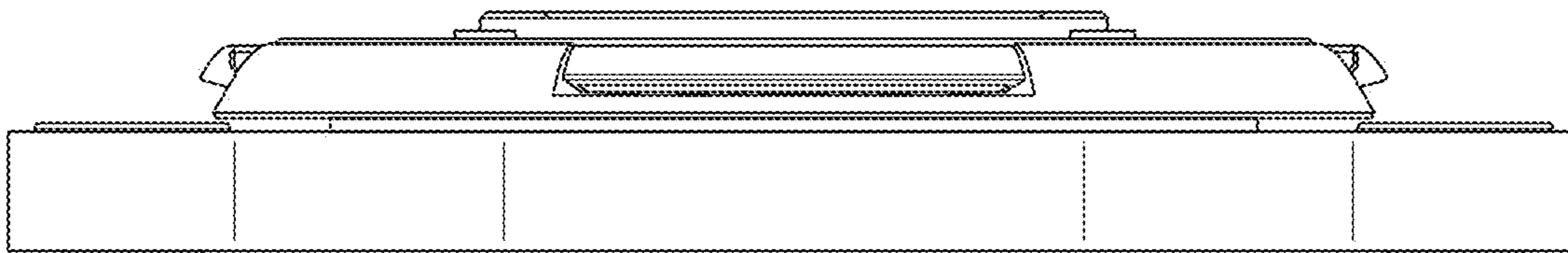


FIG. 5

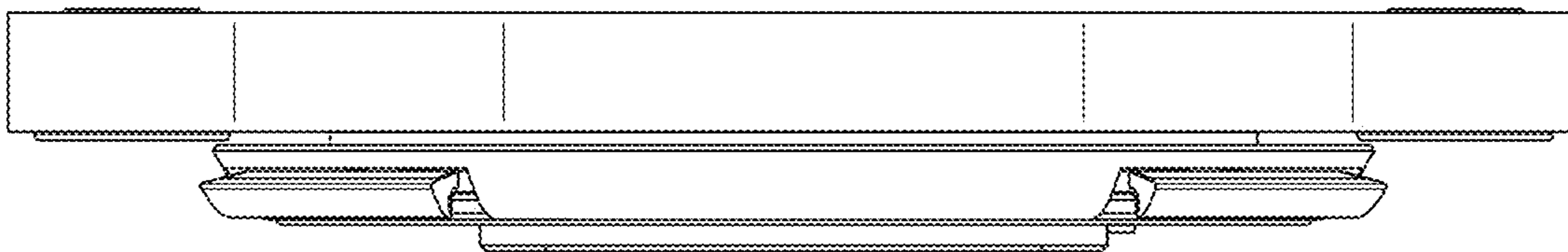


FIG. 6

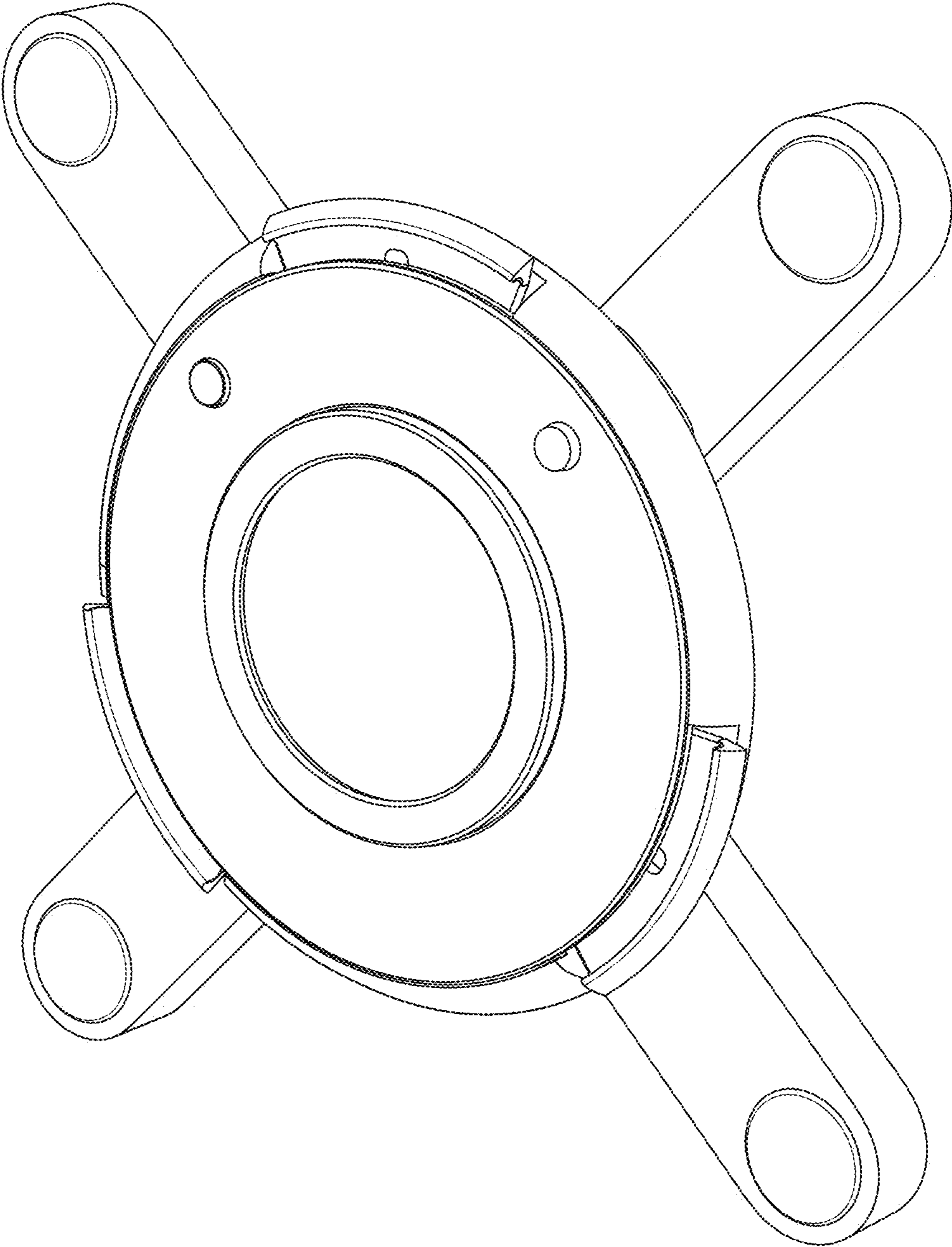


FIG. 7