



US00D927498S

(12) **United States Design Patent** (10) **Patent No.:** **US D927,498 S**
Wang (45) **Date of Patent:** **** Aug. 10, 2021**

(54) **DESKTOP-TYPE SUPPORT FOR ELECTRONIC PRODUCT**
(71) Applicant: **SHENZHEN YONGFENGWANG TECHNOLOGY LIMITED**, Shenzhen (CN)
(72) Inventor: **Hongbin Wang**, Shenzhen (CN)
(73) Assignee: **SHENZHEN YONGFENGWANG TECHNOLOGY LIMITED**, Shenzhen (CN)
(**) Term: **15 Years**

(21) Appl. No.: **29/750,855**
(22) Filed: **Sep. 16, 2020**
(51) **LOC (13) Cl.** **08-07**
(52) **U.S. Cl.**
USPC **D14/447**
(58) **Field of Classification Search**
USPC D14/447, 432, 434, 439, 440, 451, 452, D14/457, 239, 253; D8/363, 373, 380; D6/406.3, 406.4, 406.5, 406.6; D12/415
CPC A47B 21/04; A47B 2097/006; A47B 2097/005; A47B 2023/049; A45C 2011/002; A45C 2011/003; F16M 2200/00; F16M 13/00
See application file for complete search history.

(56) **References Cited**
U.S. PATENT DOCUMENTS
D573,598 S 7/2008 Chu
D590,182 S 4/2009 Hwang
D624,922 S 10/2010 Hui et al.
D671,545 S * 11/2012 Guran D14/447
D674,805 S * 1/2013 Vincent D14/447
D678,297 S * 3/2013 Willkomm D14/447
D703,677 S * 4/2014 Bigazzi D14/447
D707,230 S * 6/2014 Castronovo D14/447

D720,343 S * 12/2014 Nichols D14/253
D724,598 S * 3/2015 Gelsomini D14/447
D733,155 S 6/2015 van Hooft et al.
D750,089 S 2/2016 Langhein
D825,573 S 8/2018 Belitz et al.
D829,216 S * 9/2018 Belitz D14/447
D834,028 S * 11/2018 Wu D14/447
D880,471 S * 4/2020 Yoo D14/253
D902,217 S * 11/2020 Zhang D14/447
(Continued)

FOREIGN PATENT DOCUMENTS

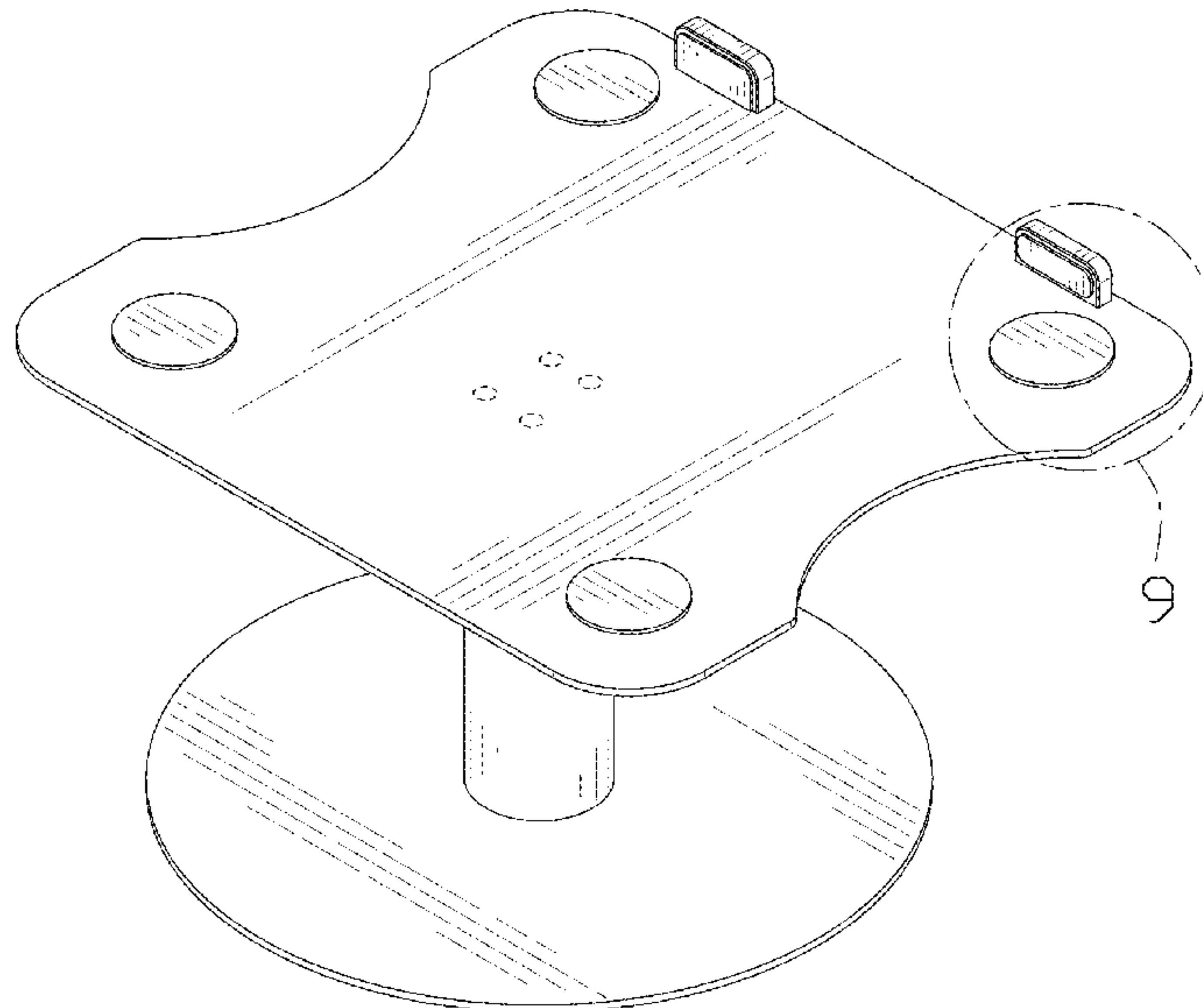
CN 306168597 S 11/2020
JP D1586376 S 9/2017
JP D1599657 S 2/2018

Primary Examiner — Angela J Lee
(74) *Attorney, Agent, or Firm* — Hemisphere Law, PLLC; Zhigang Ma

(57) **CLAIM**
The ornamental design for a desktop-type support for electronic product, as shown and described.

DESCRIPTION
FIG. 1 is a perspective view of a desktop-type support for electronic product showing my new design; FIG. 2 is another perspective view seen from a bottom side thereof; FIG. 3 is a front elevational view thereof; FIG. 4 is a rear elevational view thereof; FIG. 5 is a left side elevational view thereof; FIG. 6 is a right side elevational view thereof; FIG. 7 is a top plan view thereof; FIG. 8 is a bottom plan view thereof; and, FIG. 9 is an enlarged view of a portion labeled 9 in FIG. 1. The broken lines are for illustrating unclaimed portions of the desktop-type support for electronic product or environmental structures, the broken lines form no part of the claimed design.

1 Claim, 9 Drawing Sheets



(56)

References Cited

U.S. PATENT DOCUMENTS

D902,936 S 11/2020 Hong
D903,689 S * 12/2020 Zheng D14/447

* cited by examiner

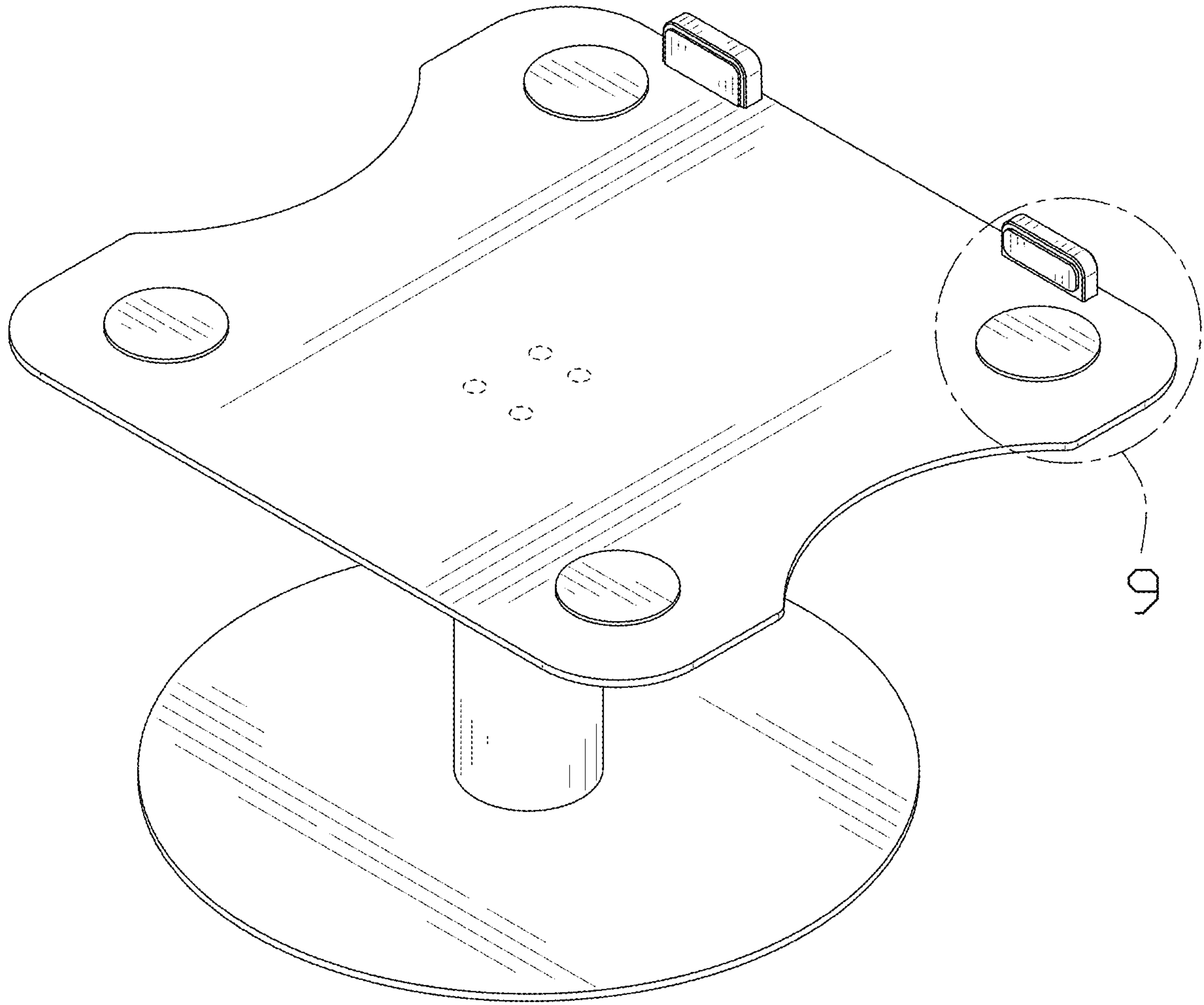


FIG. 1

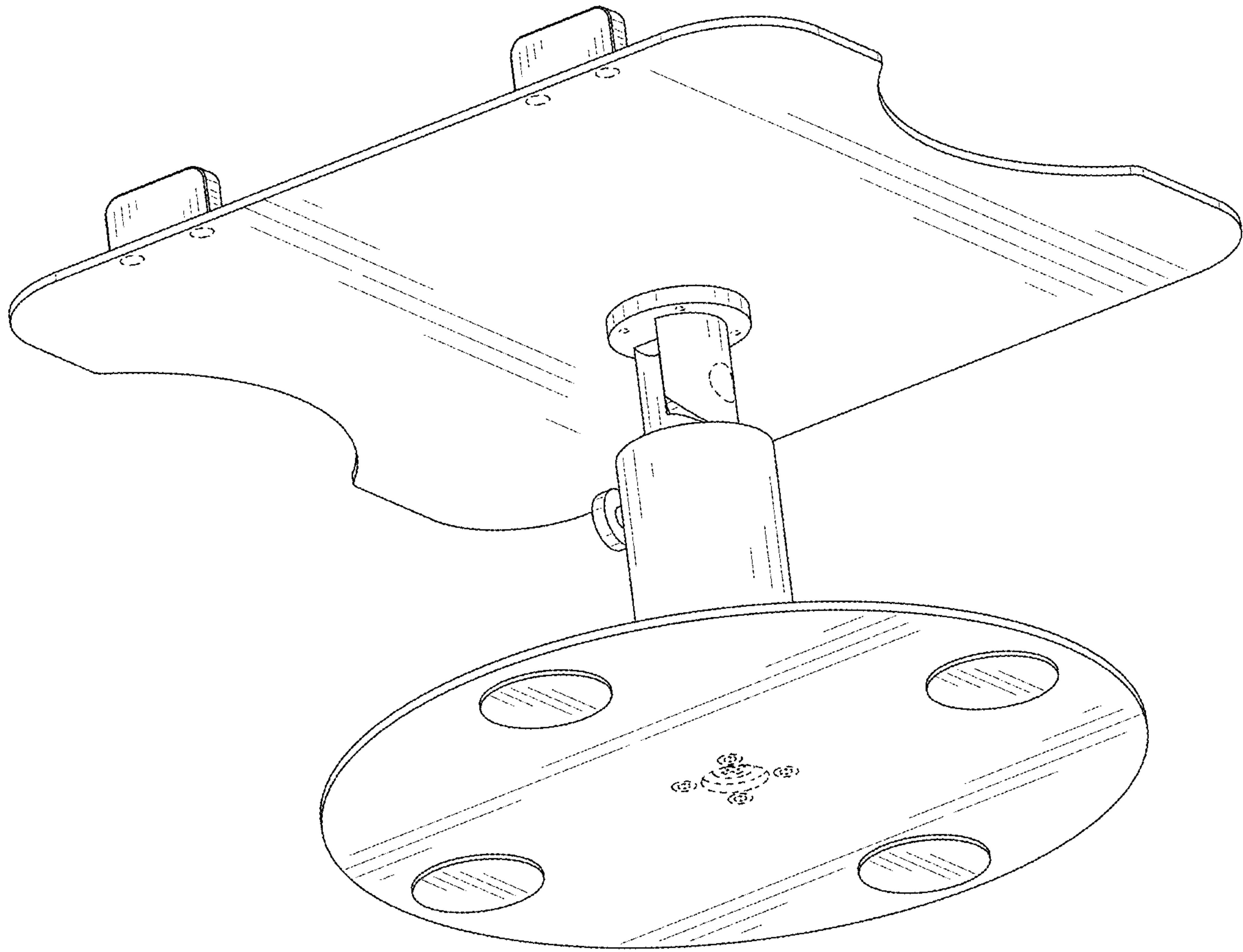


FIG. 2

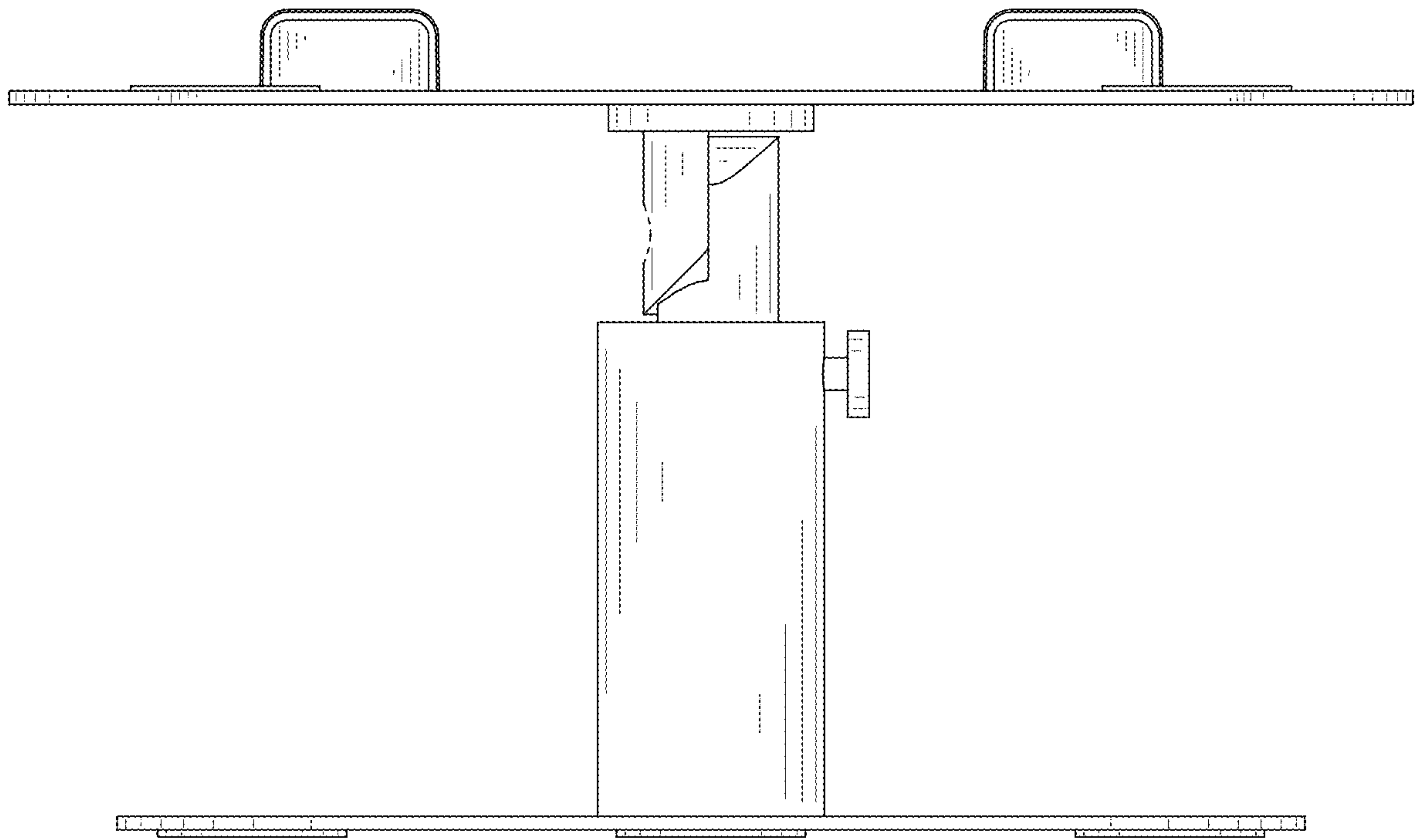


FIG. 3

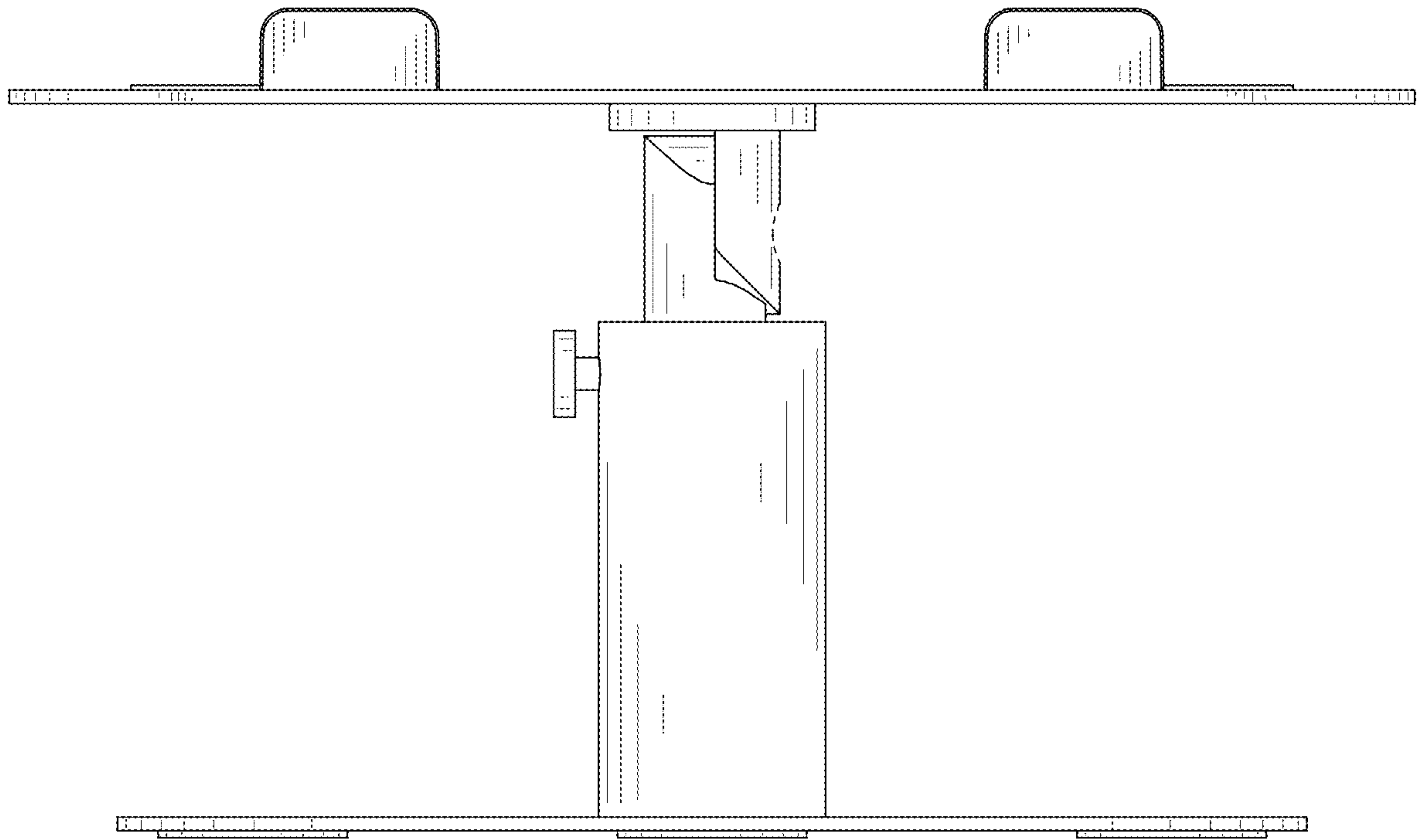


FIG. 4

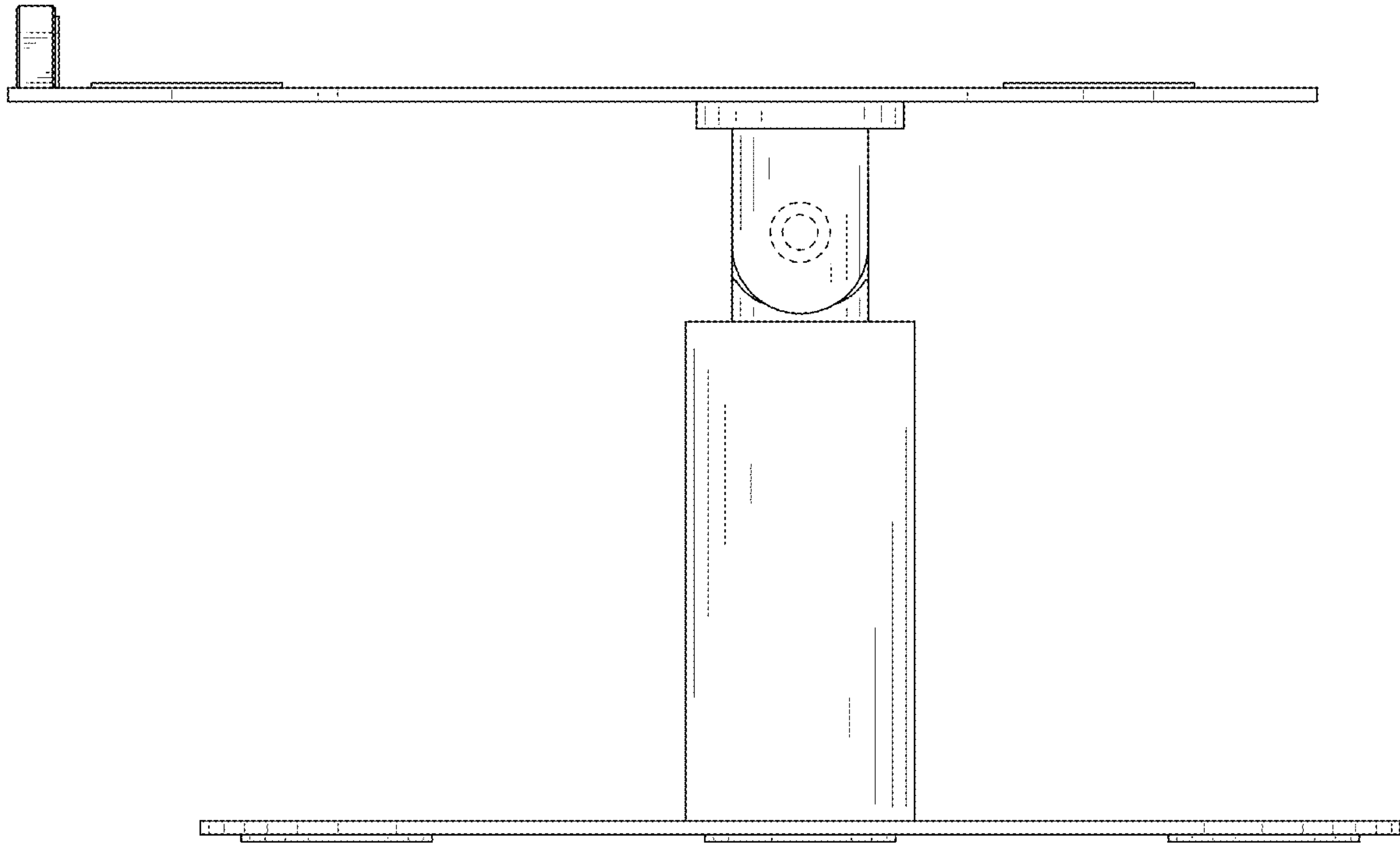


FIG. 5

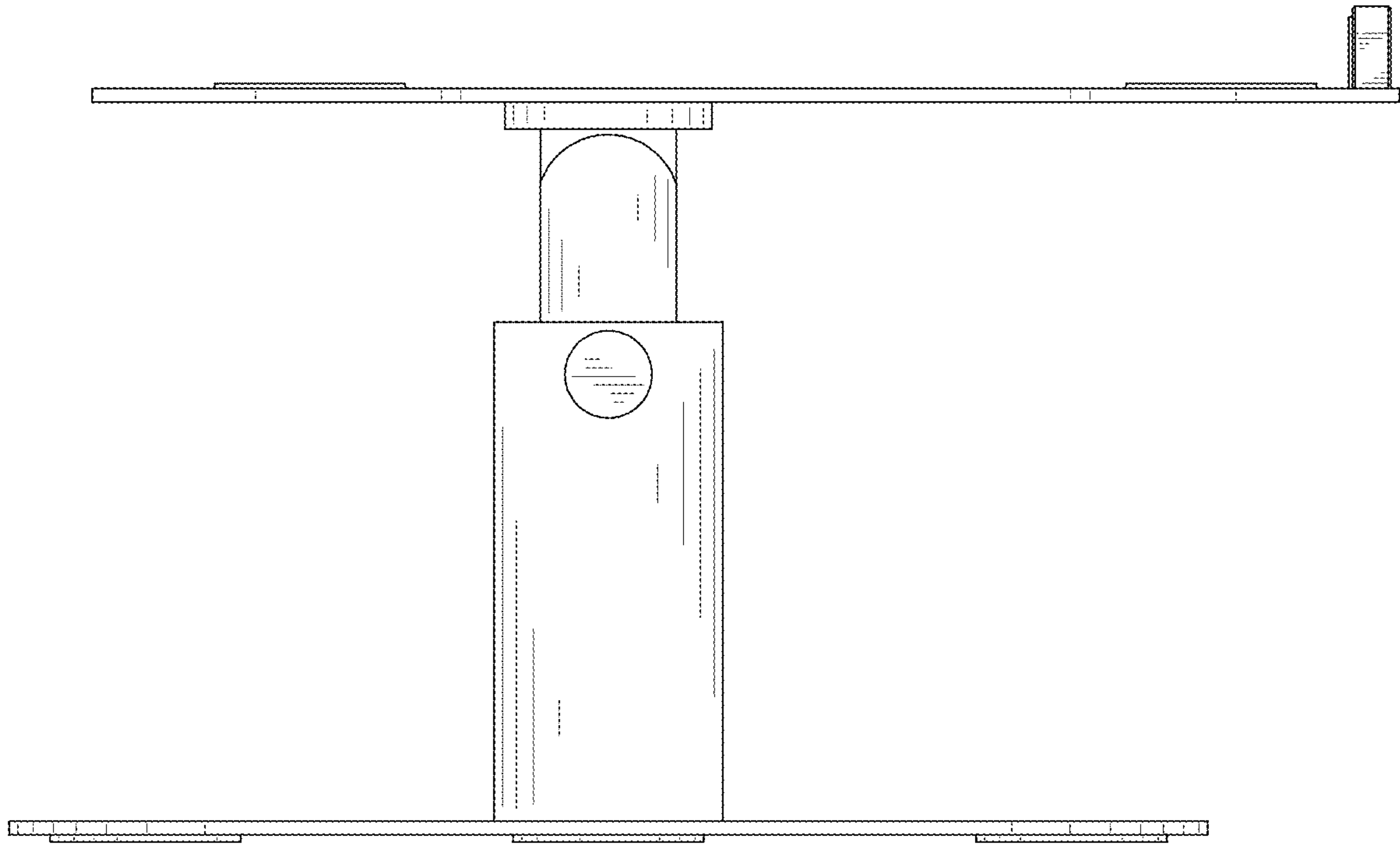


FIG. 6

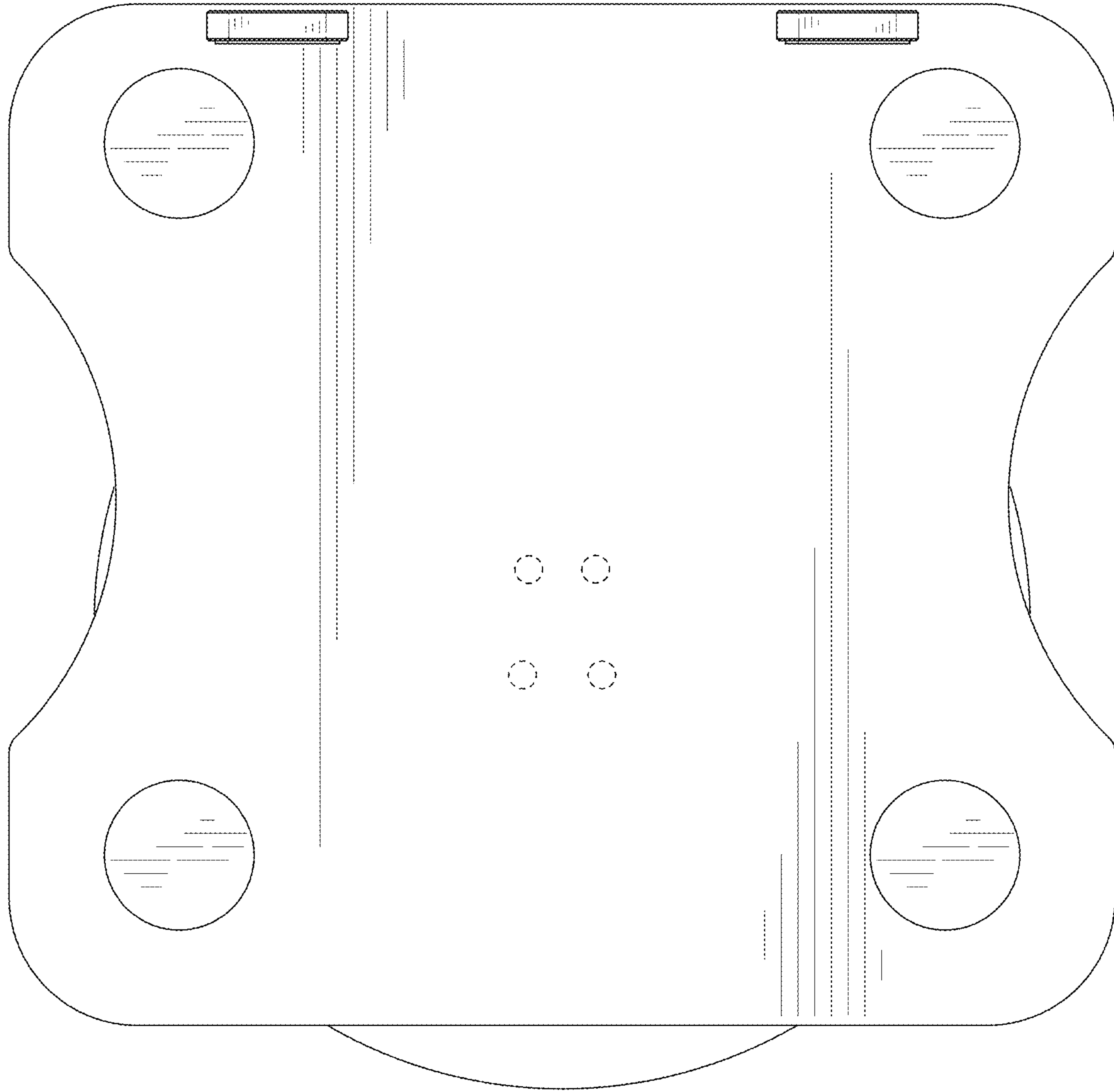


FIG. 7

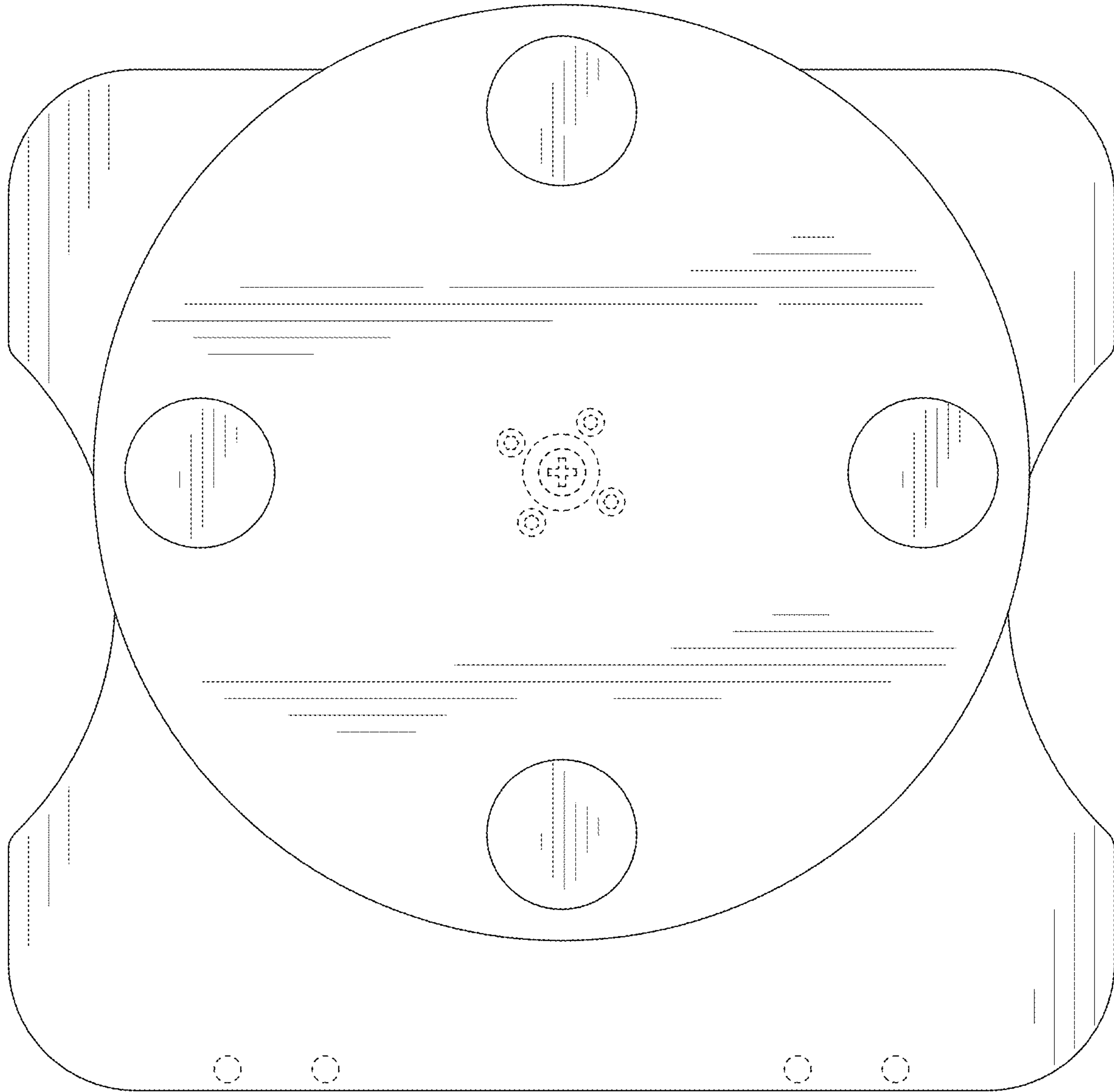


FIG. 8

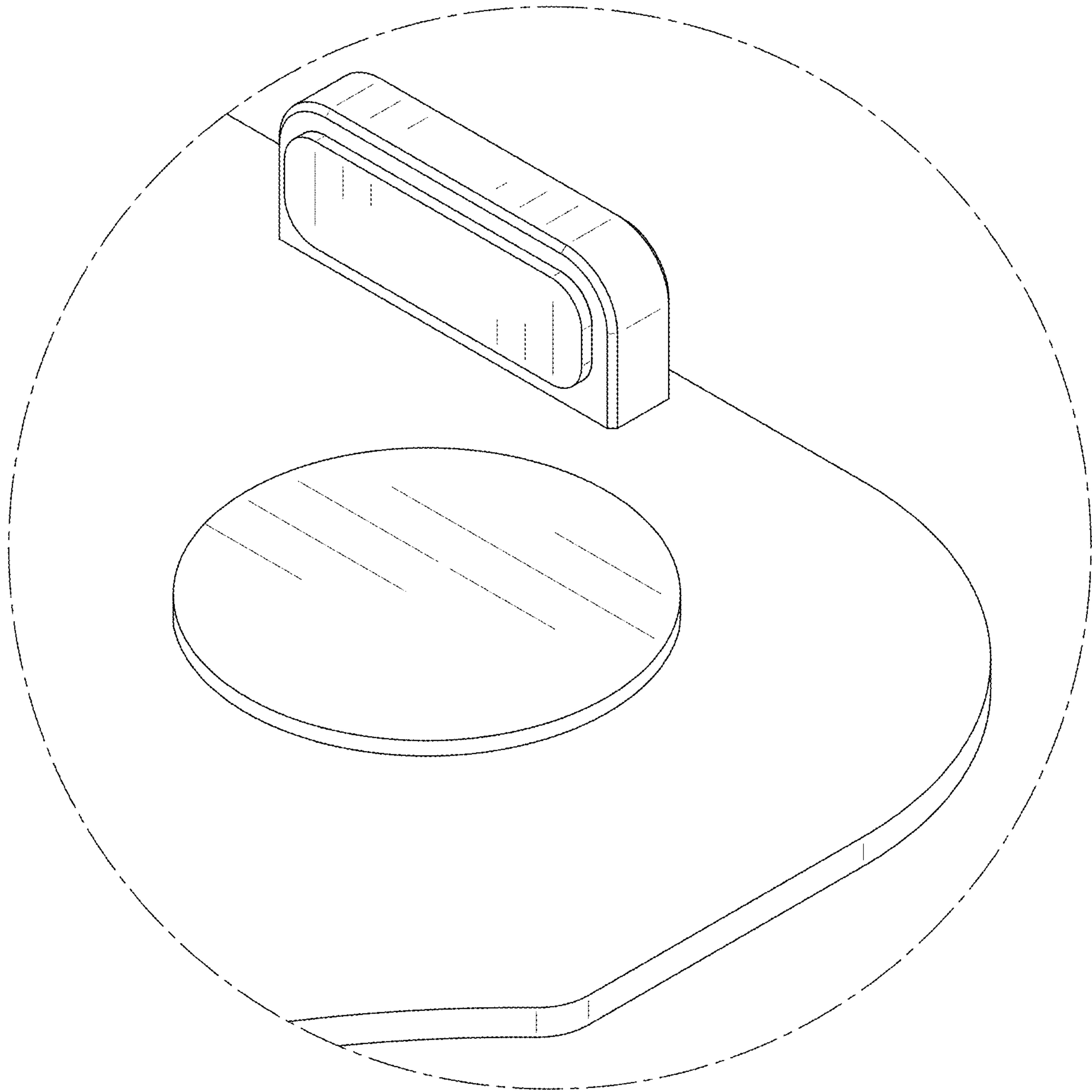


FIG. 9