



US00D927496S

(12) **United States Design Patent**
Burmester

(10) **Patent No.:** **US D927,496 S**

(45) **Date of Patent:** **** Aug. 10, 2021**

(54) **SUPPORT FOR COMPUTER TERMINALS
AND COMPUTER KEYBOARDS**

D545,825 S 7/2007 Richter
D591,756 S * 5/2009 Wohlford D14/452
D597,764 S * 8/2009 Topcuoglu D20/10
8,238,086 B2 8/2012 Ou

(Continued)

(71) Applicant: **Ergonomic Solutions International
Limited, Surrey (GB)**

(72) Inventor: **Benny Burmester, Norresundby (DK)**

FOREIGN PATENT DOCUMENTS

(73) Assignee: **Ergonomic Solutions International
Limited, Surrey (GB)**

DE 19525391 A1 2/1996
WO WO-2012023172 A1 * 2/2012 F16M 11/00

(**) Term: **15 Years**

OTHER PUBLICATIONS

(21) Appl. No.: **29/704,252**

Iomounts. Link: <https://www.iomounts.com/products/iostand>. Visited Mar. 25, 2021. iOstand Tablet stand & holder (Year: 2020).*

(22) Filed: **Sep. 3, 2019**

(Continued)

Related U.S. Application Data

(60) Continuation of application No. 29/588,808, filed on Dec. 22, 2016, now abandoned, which is a division of application No. 29/543,067, filed on Oct. 20, 2015, now Pat. No. Des. 846,554.

Primary Examiner — Lauren D McVey

(74) *Attorney, Agent, or Firm* — Berg Hill Greenleaf Ruscitti LLP.

(51) **LOC (13) Cl.** **14-02**

(57) **CLAIM**

(52) **U.S. Cl.**
USPC **D14/447**

I claim the ornamental design for support for computer terminals and computer keyboards, as shown and described.

(58) **Field of Classification Search**

DESCRIPTION

USPC D14/239, 371, 372, 373, 374, 447, 448, D14/449–452, 335–337, 125, 127, 128, D14/129, 375, 376, 377, 341, 126; D8/355, 363, 373; D6/672, 682
CPC F16M 11/2085; F16M 11/2092; F16M 11/2007; F16M 11/2014; F16M 11/2021; F16M 11/105; F16M 11/048; F16M 11/12; F16M 13/022; F16M 11/10
See application file for complete search history.

FIG. 1 is a rear elevation view of the support for computer terminals and computer keyboards showing my new design; FIG. 2 is a left side elevation view thereof; FIG. 3 is a right side elevation view thereof; FIG. 4 is a front elevation view thereof; FIG. 5 is a top plan view thereof; and, FIG. 6 is a top perspective view thereof.

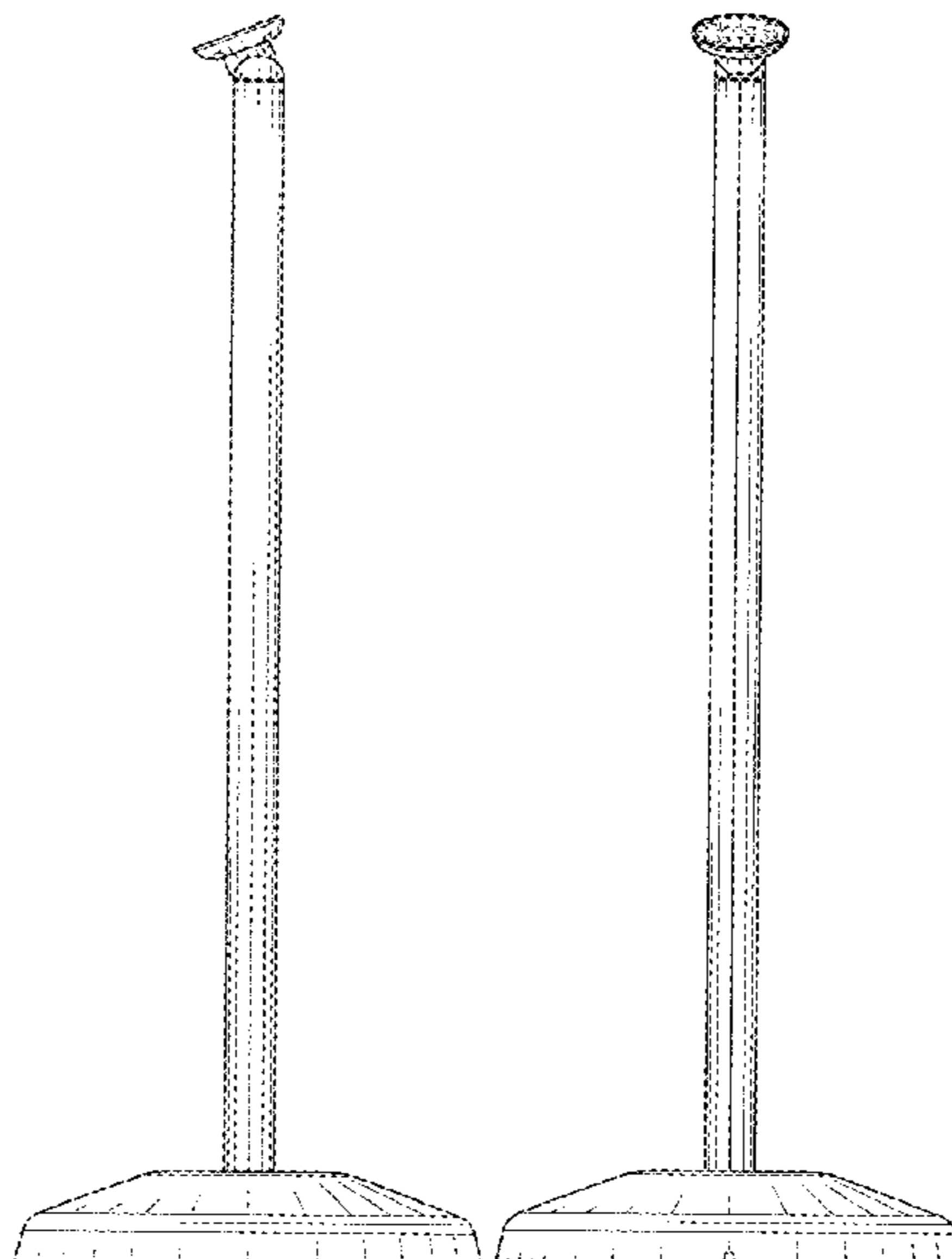
The outermost broken lines immediately adjacent the claim represent the bounds of the claimed design while all other broken lines are directed to environment and are for illustrative purposes only; the broken lines form no part of the claimed design.

(56) **References Cited**

U.S. PATENT DOCUMENTS

D67,644 S 6/1925 Brown
6,663,060 B1 * 12/2003 Gifford, Sr. F16B 7/14
248/125.8

1 Claim, 2 Drawing Sheets



(56)

References Cited

U.S. PATENT DOCUMENTS

D671,545 S 11/2012 Guran
D692,900 S * 11/2013 Kovacs F16M 11/041
D14/447
D696,674 S * 12/2013 Vogel D14/447
D723,311 S 3/2015 Jiang et al.
D724,072 S 3/2015 Jiang et al.
D729,222 S 5/2015 Grziwok et al.
D735,727 S 8/2015 Dugger et al.
D772,739 S 11/2016 Browning et al.
D792,414 S 7/2017 Floersch et al.
D803,840 S 11/2017 Burmester
D893,500 S * 8/2020 Burmester D14/447
D893,501 S * 8/2020 Burmester D14/447
D893,502 S * 8/2020 Burmester D14/447
D893,503 S * 8/2020 Burmester D14/447
D900,119 S * 10/2020 Burmester D14/447
D906,344 S * 12/2020 Liu D14/447

2001/0035479 A1* 11/2001 Roebuck F16M 11/10
248/125.1
2012/0187257 A1 7/2012 Zou
2018/0080597 A1* 3/2018 Weldon G06F 1/1632

OTHER PUBLICATIONS

Elo. Link: <https://www.elotouch.com/accessories-pole-stands.html>.
Visited Mar. 25, 2021. Pole Stand. (Year: 2020).*
Amazon. Link: https://www.amazon.com/dp/B081ZKQVN3/ref=cm_sw_em_r_mt_dp_C7BF4GGZFQH8J3CHW738?_encoding=UTF8&psc=1. Nov. 6, 2020. Mount-It! Universal Credit Card POS Terminal Stand for VeriFone Ingenico First Data Card Readers. (Year: 2021).*
Amazon <URL: https://www.amazon.com/dp/B017MOGQOA/ref=sspa_dk_detail_6?psc=1&pd_rd_i=B017MOGQOA&pd_rd_wg=cDB01_r=6DPJPXNTGE5M1_KTADEPY&pd_rd_w=8jpLM.> Jun. 27, 2016. Terminal Stand.

* cited by examiner

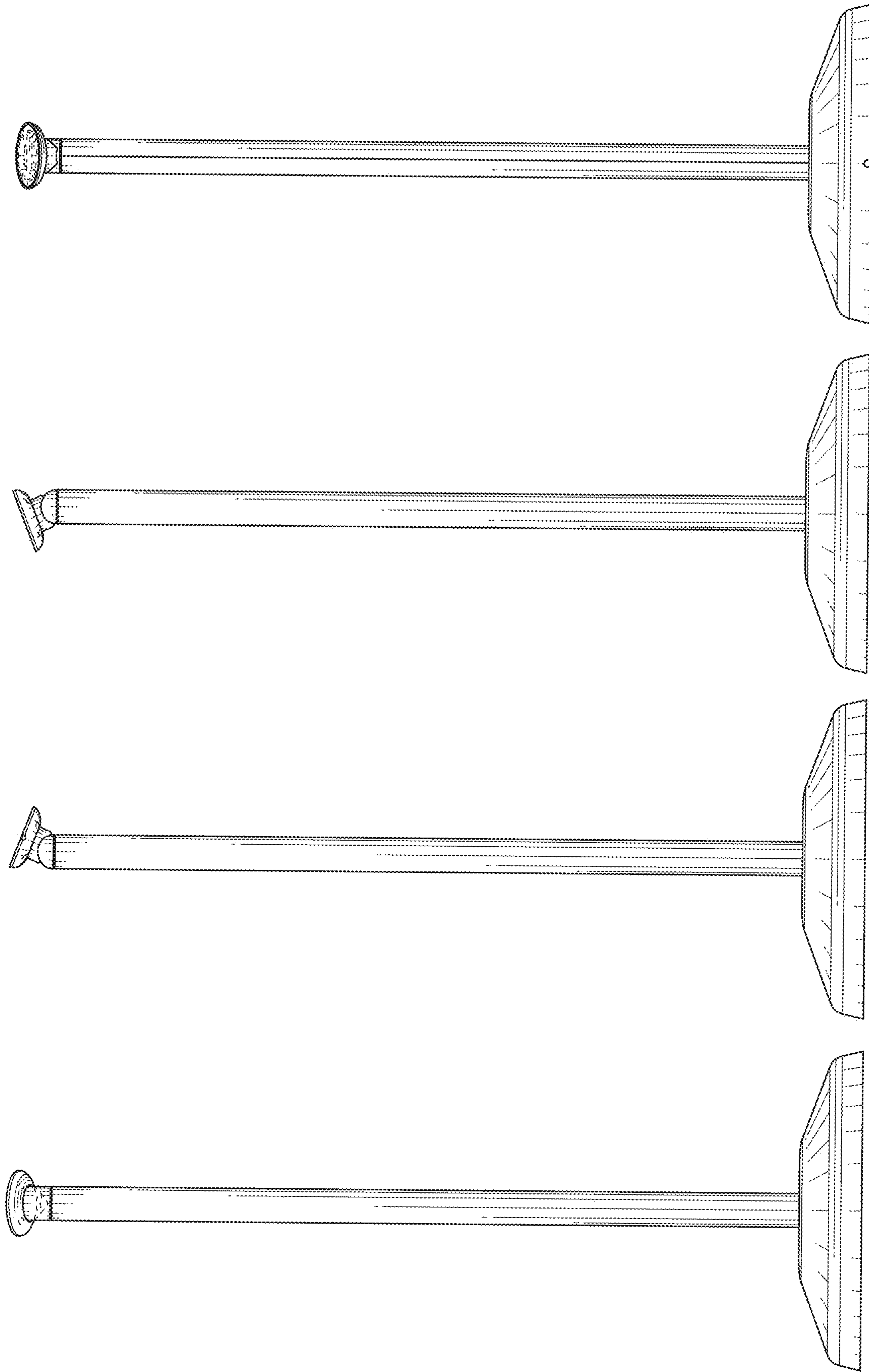


FIG. 4

FIG. 3

FIG. 2

FIG. 1

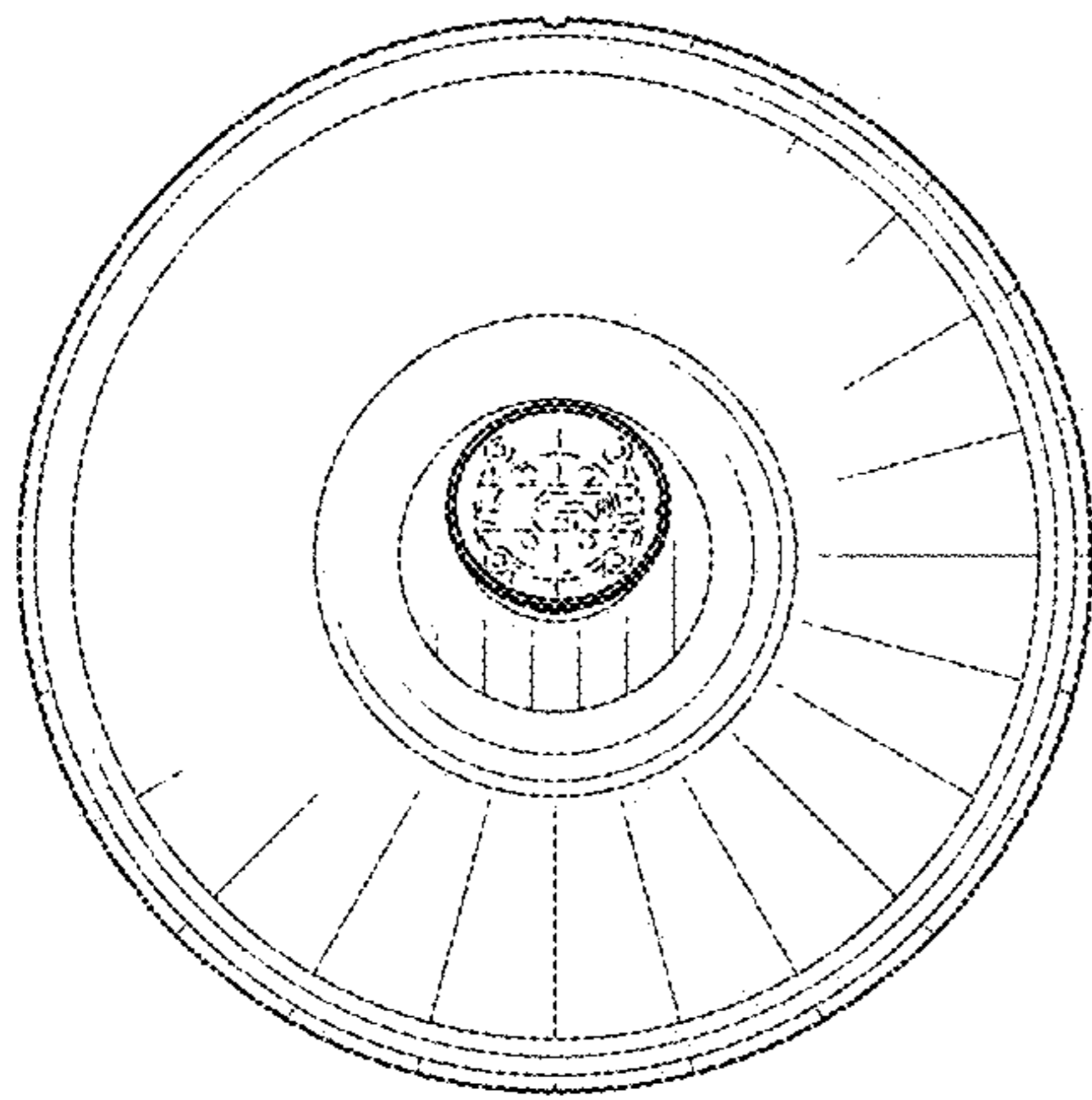


FIG. 5

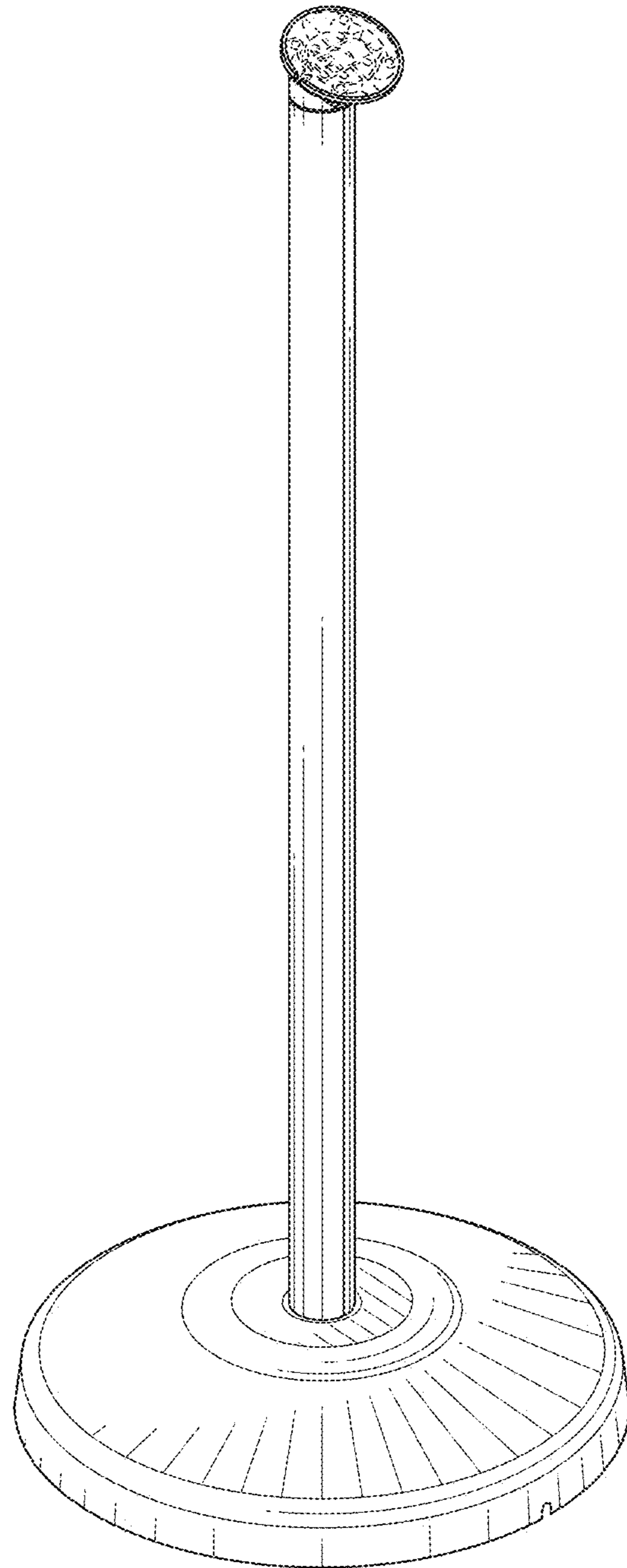


FIG. 6