



US00D927494S

(12) **United States Design Patent**
Yu

(10) **Patent No.:** **US D927,494 S**

(45) **Date of Patent:** **** Aug. 10, 2021**

(54) **CASE FOR A TABLET**

(71) Applicant: **JACS Solutions (Wuhan) Co., Ltd.**,
Wuhan (CN)

(72) Inventor: **Kevin Yu**, Wuhan (CN)

(73) Assignee: **JACS Solutions (Wuhan) Co., Ltd.**,
Wuhan (CN)

(**) Term: **15 Years**

(21) Appl. No.: **29/727,542**

(22) Filed: **Mar. 11, 2020**

(30) **Foreign Application Priority Data**

Dec. 4, 2019 (CN) 201930674745.X

(51) **LOC (13) Cl.** **14-02**

(52) **U.S. Cl.**
USPC **D14/440**

(58) **Field of Classification Search**
USPC D14/440, 447, 250; 206/45.23, 320,
206/45.2; 361/679.55; 294/25; 224/218
CPC ... G06F 1/1628; G06F 1/1626; A47B 23/044;
H04B 1/3888
See application file for complete search history.

(56) **References Cited**

U.S. PATENT DOCUMENTS

D696,257 S * 12/2013 Ward 14/440
D706,272 S * 6/2014 Poon 14/440
D714,295 S * 9/2014 Fujioka 14/440
D852,201 S * 6/2019 Chan 14/440

D863,315 S * 10/2019 Chan 14/440
D863,316 S * 10/2019 Chan 14/440
D877,509 S * 3/2020 Kilkenny D3/294
D888,063 S * 6/2020 Chan 14/440
D895,630 S * 9/2020 Piper 14/440
2019/0068230 A1* 2/2019 Sasaki H04B 1/3888

* cited by examiner

Primary Examiner — Cynthia R Underwood

(74) *Attorney, Agent, or Firm* — Reinhart Boerner Van
Deuren P.C.

(57) **CLAIM**

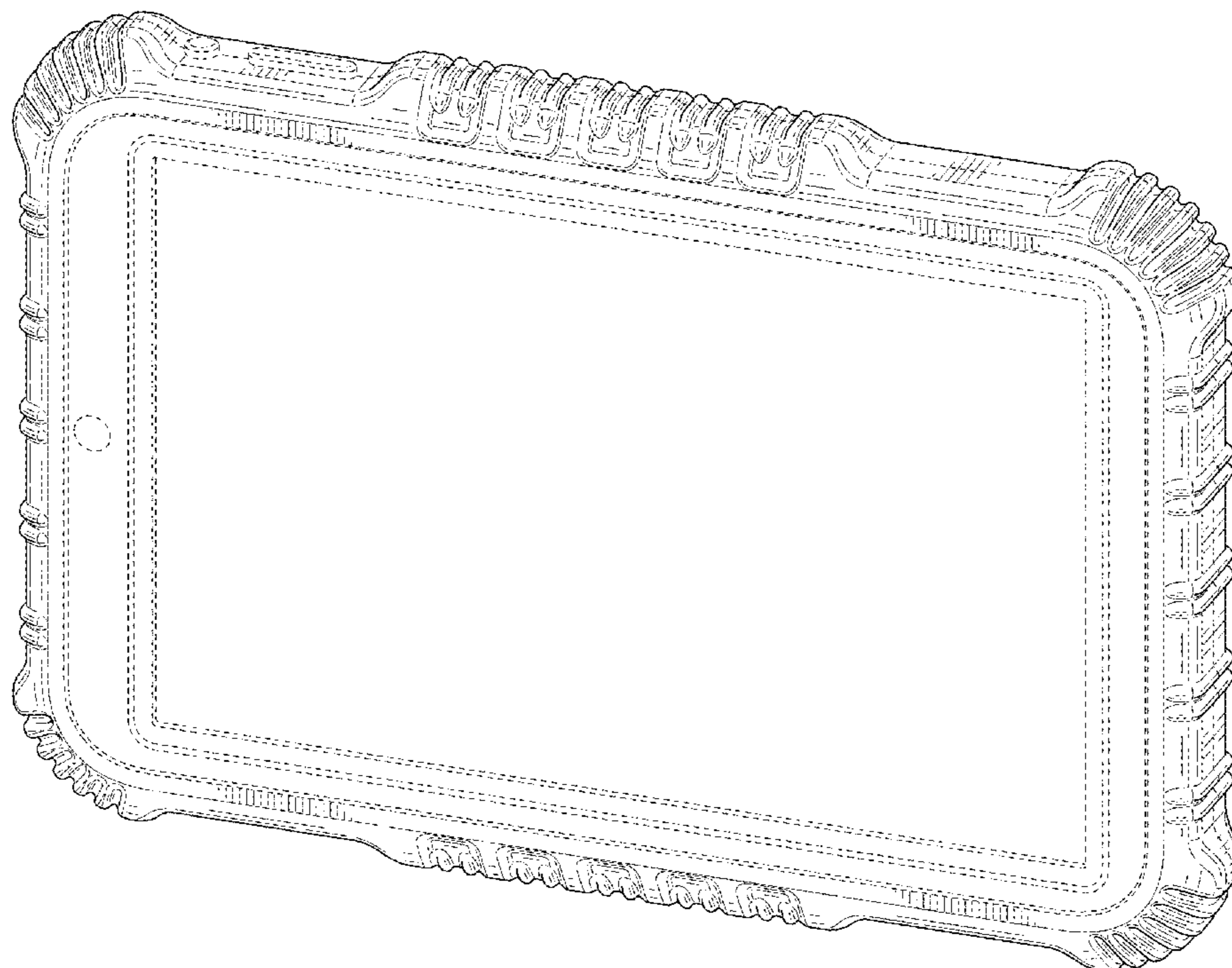
I claim the ornamental design for a case for a tablet, as
shown and described.

DESCRIPTION

FIG. 1 is a front perspective view of a case for a tablet;
FIG. 2 is a back perspective view of the case for a tablet
shown in FIG. 1;
FIG. 3 is a front view of the case for a tablet shown in FIG.
1;
FIG. 4 is a back view of the case for a tablet shown in FIG.
1;
FIG. 5 is a left side view of the case for a tablet shown in
FIG. 1;
FIG. 6 is a right side view of the case for a tablet shown in
FIG. 1;
FIG. 7 is a top view of the case for a tablet shown in FIG.
1; and,
FIG. 8 is a bottom view of the case for a tablet shown in FIG.
1.

The broken lines illustrate environmental structures, features
or boundaries that form no part of the claim.

1 Claim, 6 Drawing Sheets



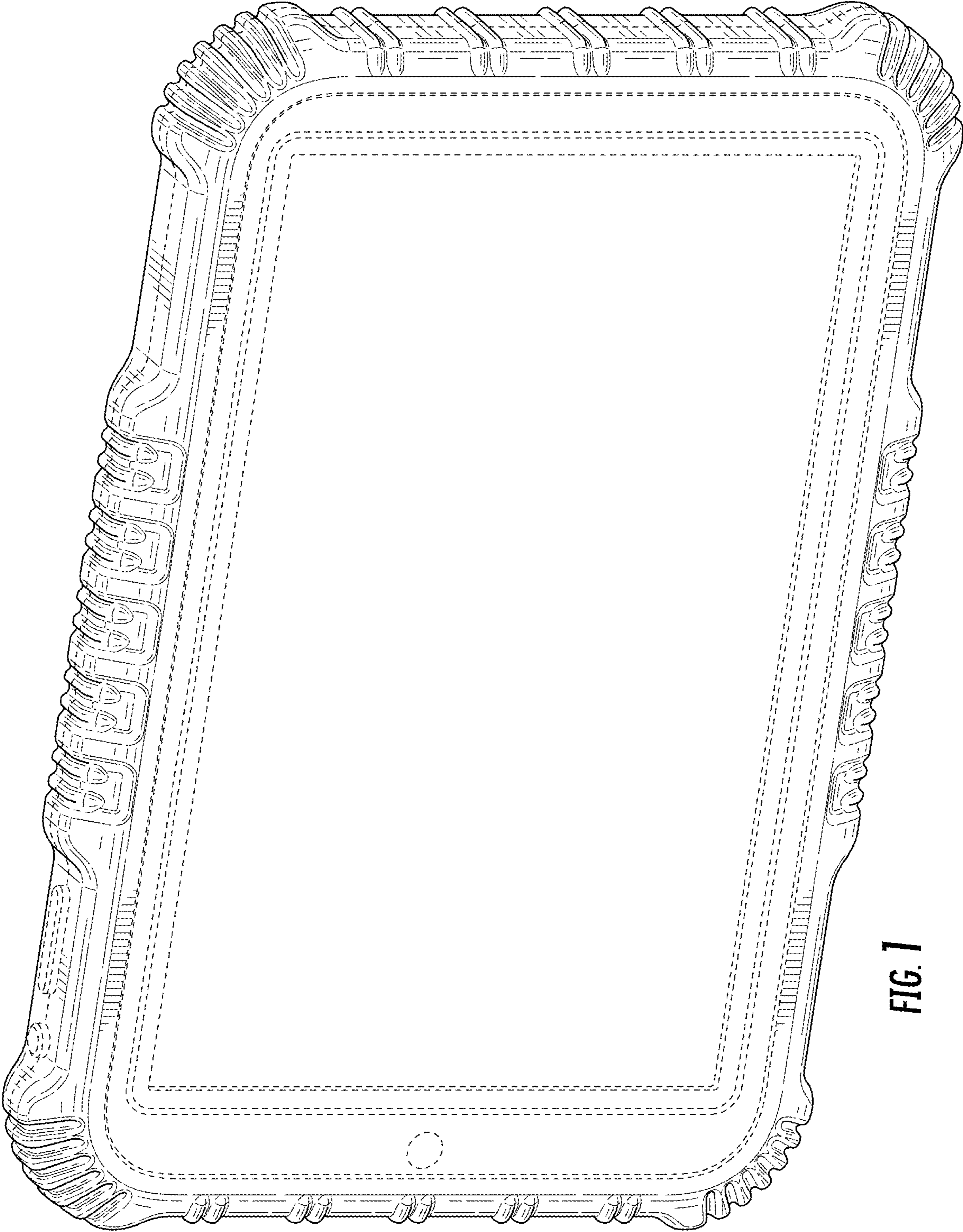


FIG. 1

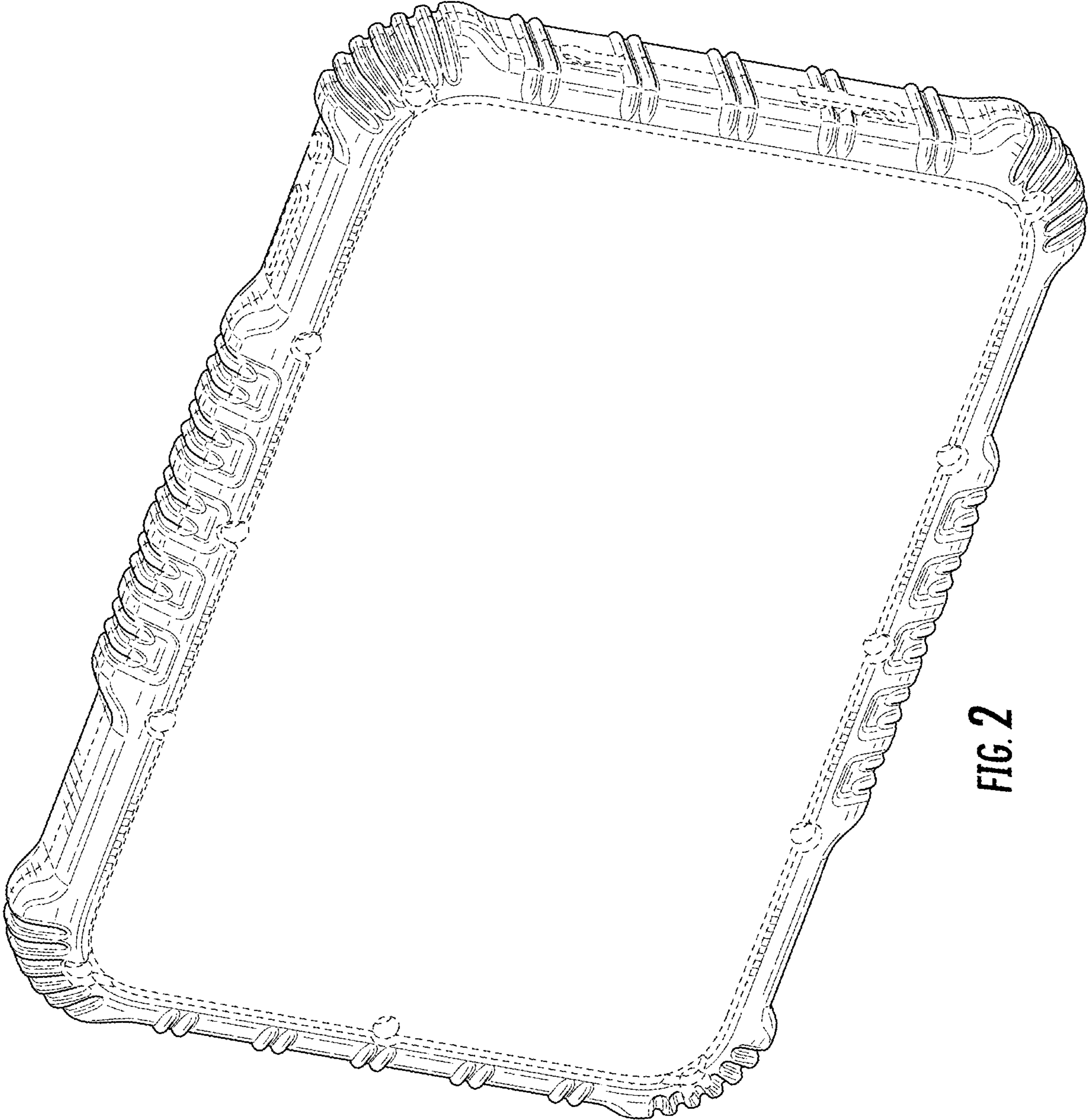


FIG. 2

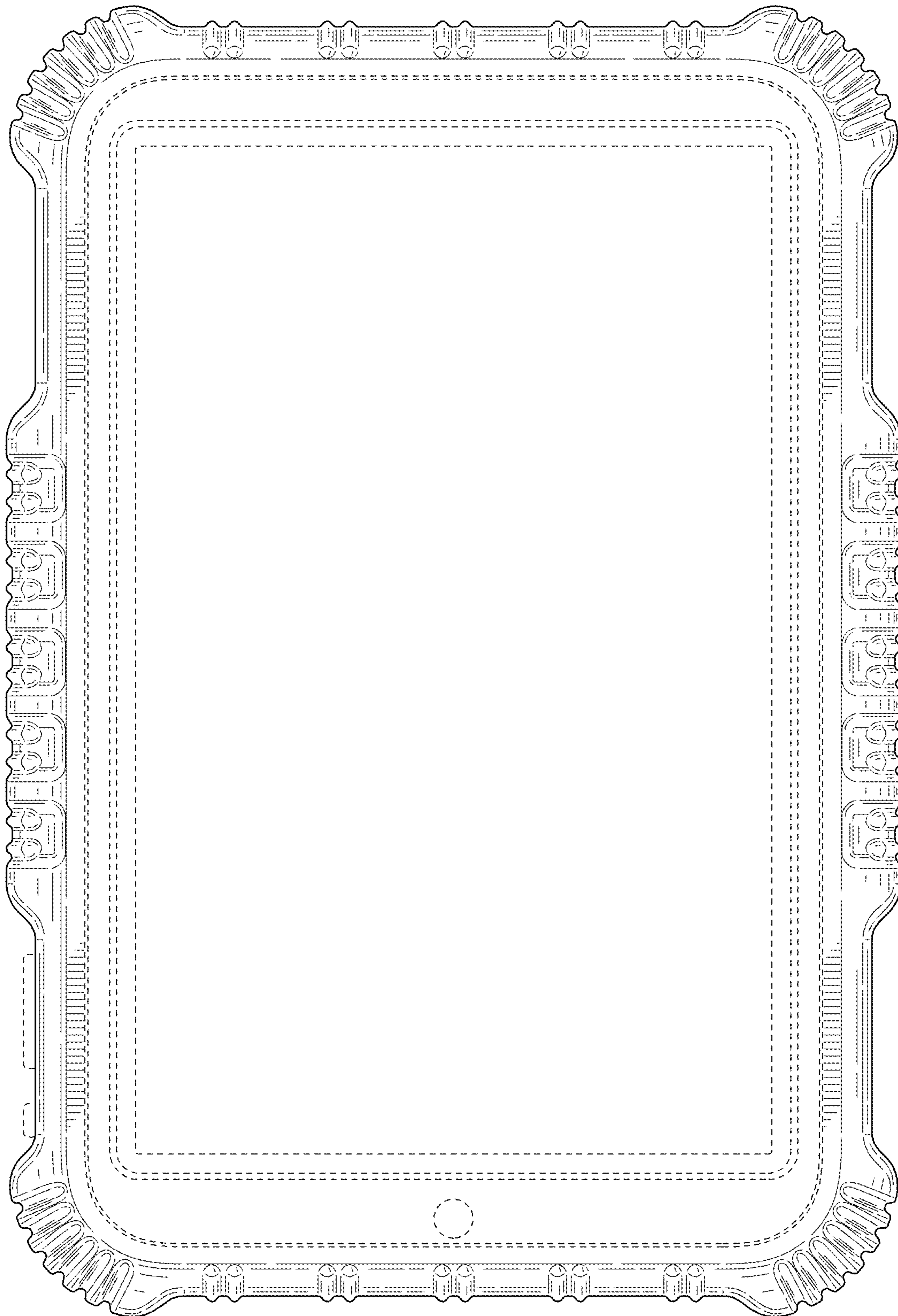


FIG. 3

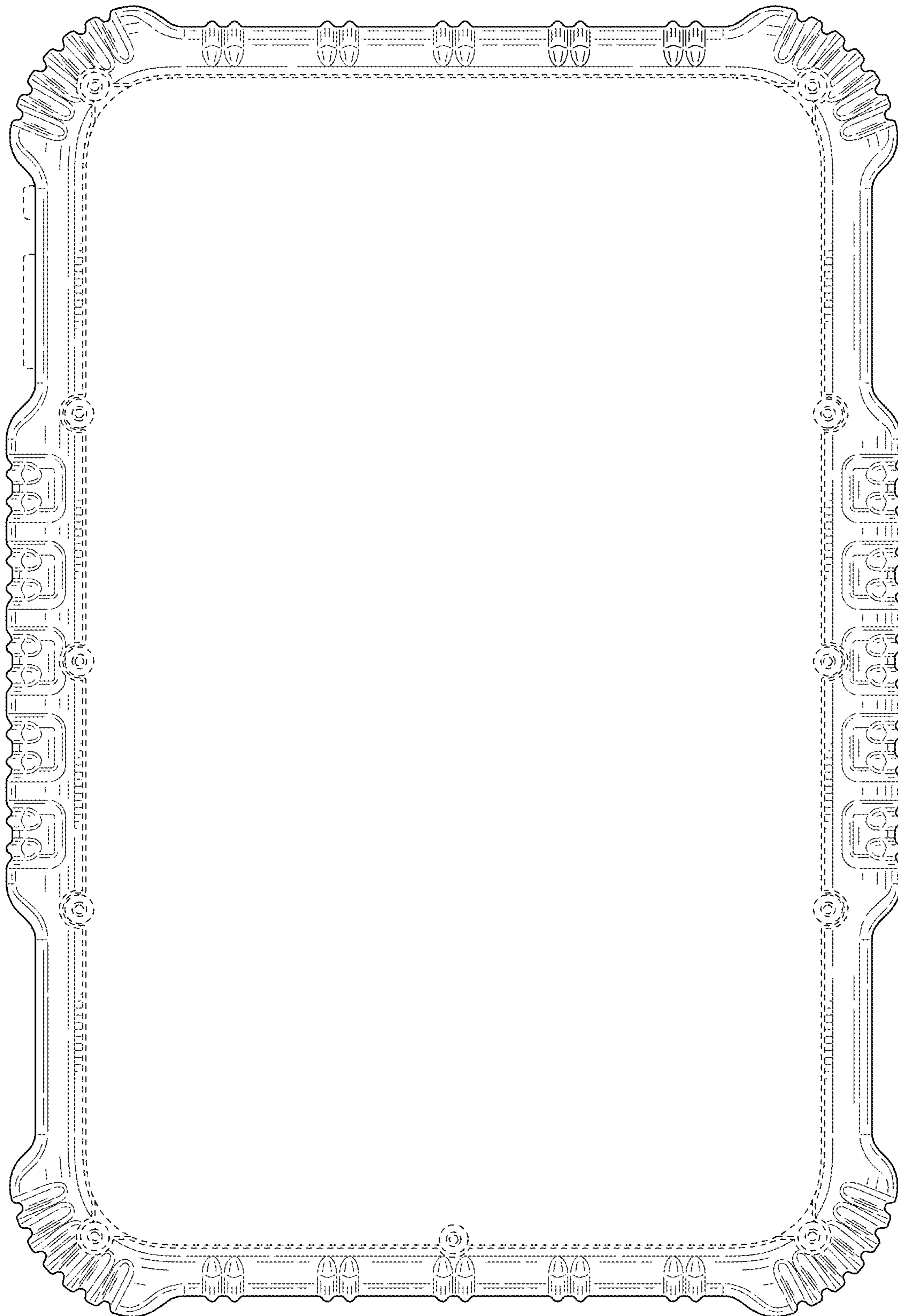


FIG. 4

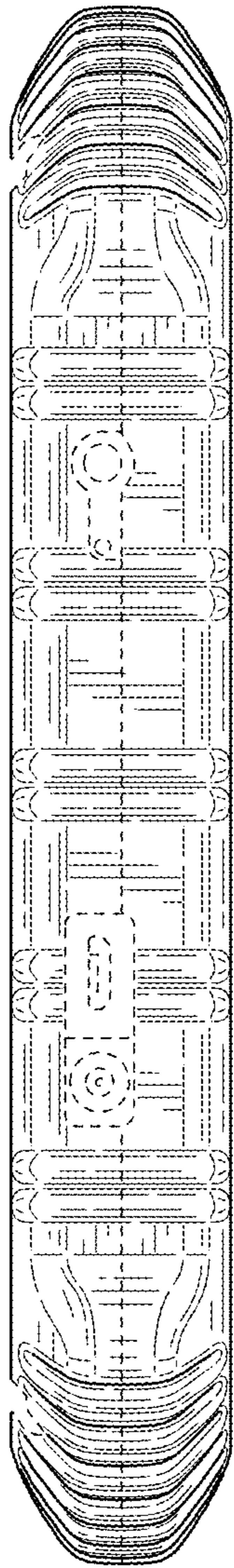


FIG. 5

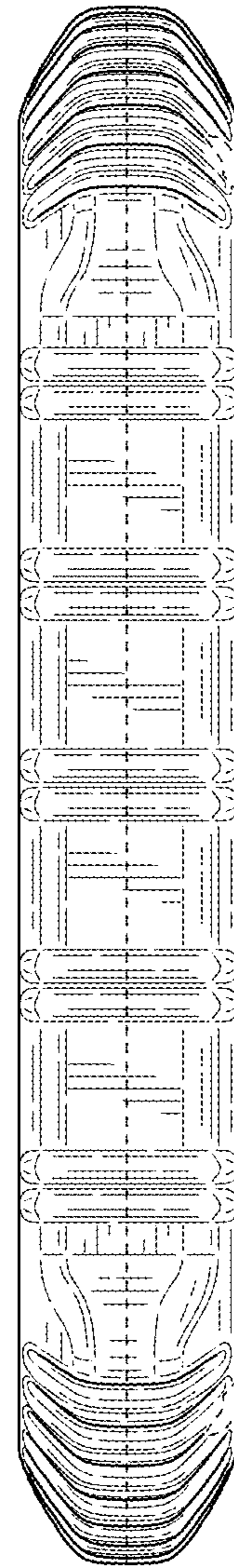


FIG. 6

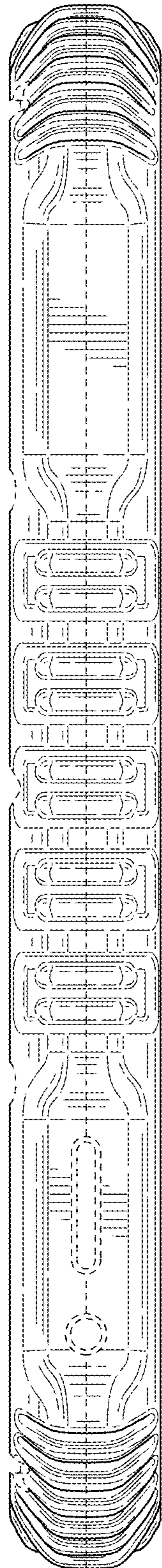


FIG. 7

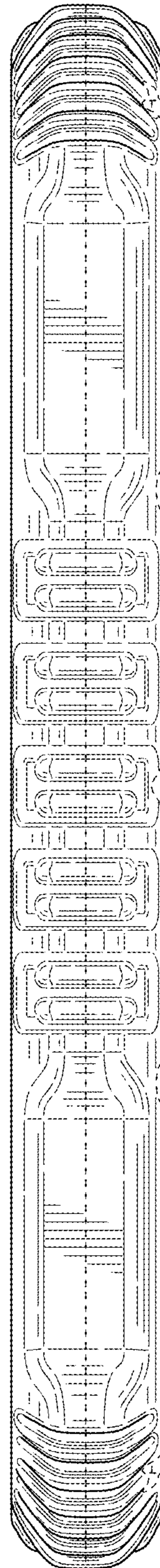


FIG. 8