



US00D927490S

(12) **United States Design Patent** (10) **Patent No.:** **US D927,490 S**
Liu et al. (45) **Date of Patent:** **** Aug. 10, 2021**

(54) **DOCKING STATION**

D885,339 S * 5/2020 Duan D13/110
D886,826 S * 6/2020 Zhan D14/433
D887,414 S * 6/2020 Jiang D14/434

(71) Applicant: **Shenzhen Xfanic Technology Co., Ltd.**, Guangdong (CN)

(Continued)

(72) Inventors: **Xiangping Liu**, Guangdong (CN); **Qi Chen**, Guangdong (CN)

FOREIGN PATENT DOCUMENTS

CN 305188866 * 5/2019
CN 305869340 * 6/2020

(Continued)

(**) Term: **15 Years**

(21) Appl. No.: **29/709,896**

OTHER PUBLICATIONS

(22) Filed: **Oct. 18, 2019**

USB C Docking Station—CHOTECH. (Online) 8 pgs. Available Jun. 11, 2020. [Retrieved May 6, 2021] https://www.amazon.com/Docking-Station-CHQETECH-Ethernet-MacBook/dp/B08B3LHQL3?ref_ast1_sto_dp*

(51) **LOC (13) Cl.** **14-02**

(52) **U.S. Cl.**
USPC **D14/434**

(58) **Field of Classification Search**

USPC ... D14/434, 432, 433, 435, 435.1, 356, 357, D14/358, 251–253, 217, 299, 496, 169; D13/103, 107, 108, 184, 110, 123, 133, D13/135, 179; D21/324, 332, 333
CPC G06F 1/16; G06F 1/1632; G06F 1/266; G06F 13/00; G06F 13/38; G06F 13/382; G06F 13/385; G06F 13/387; G06F 3/065; G06F 9/541; G06F 2213/3814; G06F 2213/40; G06F 2213/4004

See application file for complete search history.

Primary Examiner — Marie D. Fast Horse

(57) **CLAIM**

The ornamental design for a docking station, as shown and described.

DESCRIPTION

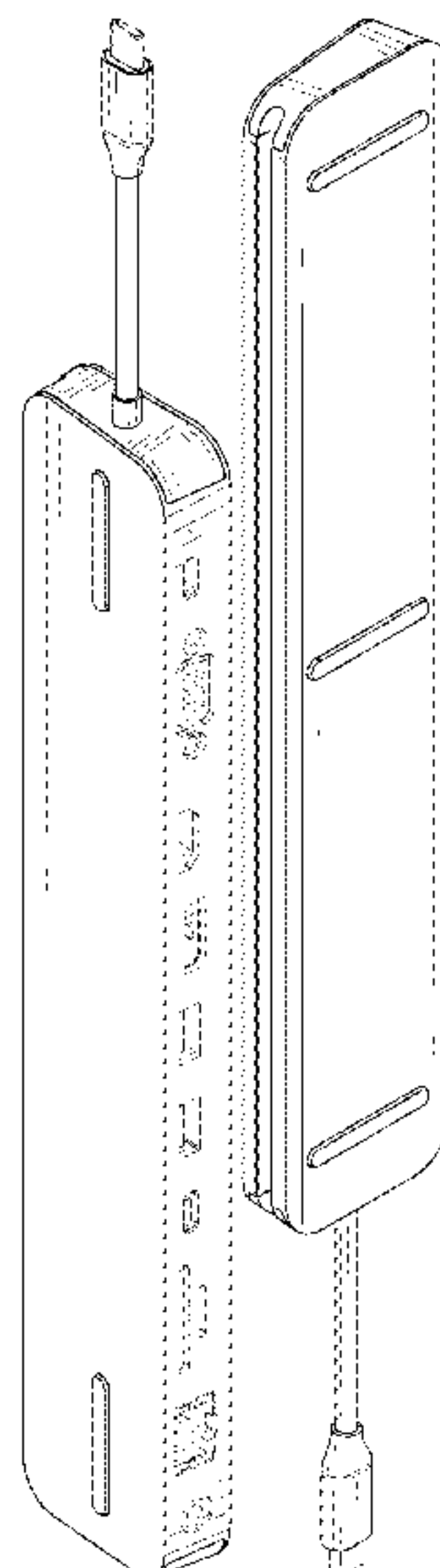
FIG. 1 is a front and top perspective view of a docking station, showing our new design;
FIG. 2 is a rear and bottom perspective view thereof;
FIG. 3 is a front elevational view thereof;
FIG. 4 is a rear elevational view thereof;
FIG. 5 is a left side elevational view thereof;
FIG. 6 is a right side elevational view thereof;
FIG. 7 is a top plan view thereof;
FIG. 8 is a bottom plan view thereof; and,
FIG. 9 is an enlarged view of a portion indicated in FIG. 3. The broken lines consisting of uniform dashes depict portions of the docking station that form no part of the claimed design. The broken lines consisting of a long dash and a short dash depict reference to the enlargements shown in the figures and form no part of the claim.

(56) **References Cited**

U.S. PATENT DOCUMENTS

D689,858 S * 9/2013 Lo D14/357
D788,112 S * 5/2017 Liao D14/433
9,900,420 B2 * 2/2018 DeCamp G06F 1/266
D828,839 S * 9/2018 Zhang D14/433
D844,008 S * 3/2019 Yamazaki D14/434
D856,278 S * 8/2019 Turksu D13/108
D862,385 S * 10/2019 Turksu D13/108
D879,779 S * 3/2020 Liao D14/433
D880,481 S * 4/2020 Liao D14/433
D880,483 S * 4/2020 Fan D14/434
D883,288 S * 5/2020 Zhan D14/433
D883,293 S * 5/2020 Zhang D14/433

1 Claim, 9 Drawing Sheets



(56)

References Cited

U.S. PATENT DOCUMENTS

D888,061	S	*	6/2020	Jiang	D14/434
D889,470	S	*	7/2020	Zhang	D14/433
D892,801	S	*	8/2020	Liu	D14/434
D893,488	S	*	8/2020	Liu	D14/433
D894,132	S	*	8/2020	Zhan	D13/147
D894,190	S	*	8/2020	Zhang	D14/433
D896,814	S	*	9/2020	Zhang	D14/433
D904,411	S	*	12/2020	Zhang	D14/433
D905,064	S	*	12/2020	Liu	D14/434
D908,126	S	*	1/2021	Chen	D14/433
D909,385	S	*	2/2021	Kong	D14/433
D911,346	S	*	2/2021	Turksu	D14/433
D912,674	S	*	3/2021	Wu	D14/433
D916,093	S	*	4/2021	Liao	D14/433

FOREIGN PATENT DOCUMENTS

CN	306182565	*	11/2020
EM	006747242-0001	*	8/2019

* cited by examiner

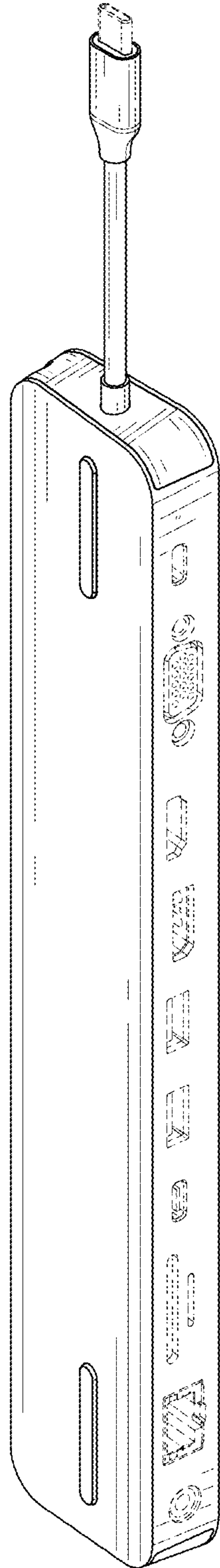


FIG. 1

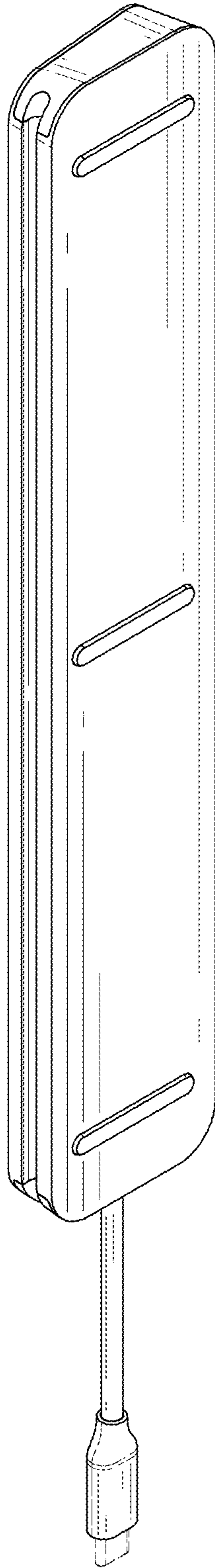


FIG. 2

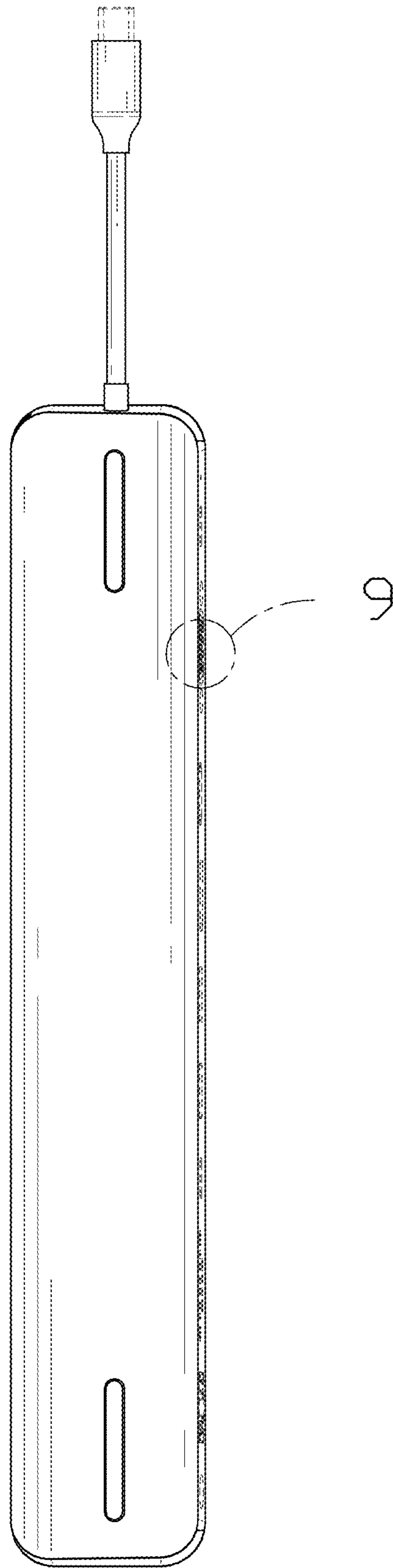


FIG. 3

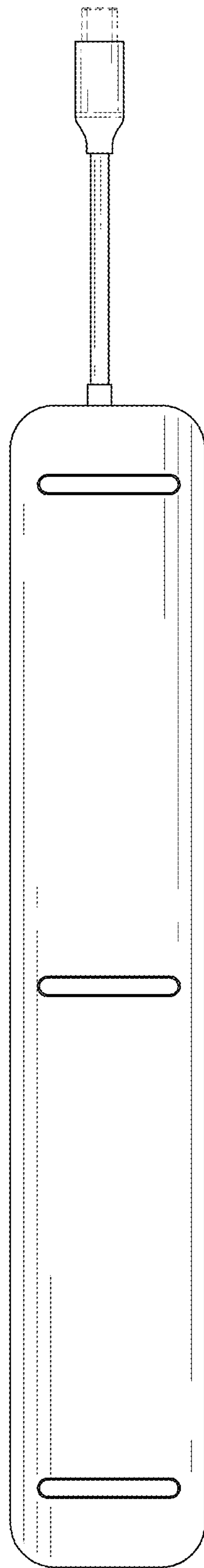


FIG. 4

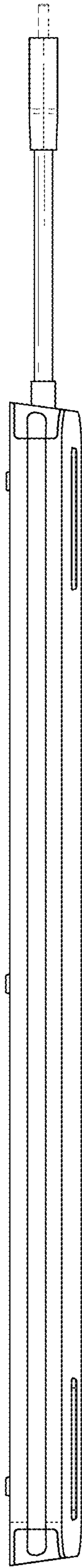


FIG. 5

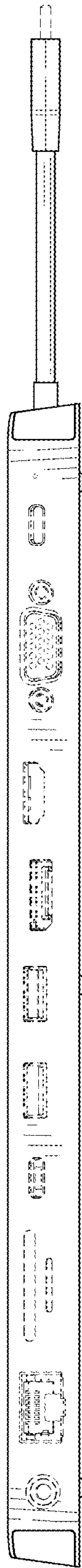


FIG. 6

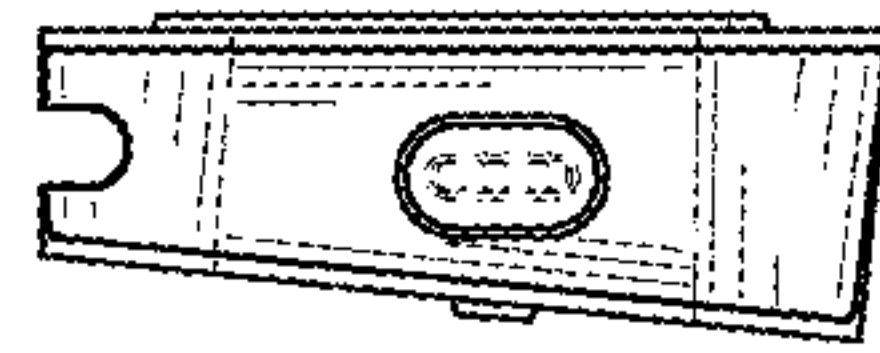


FIG. 7

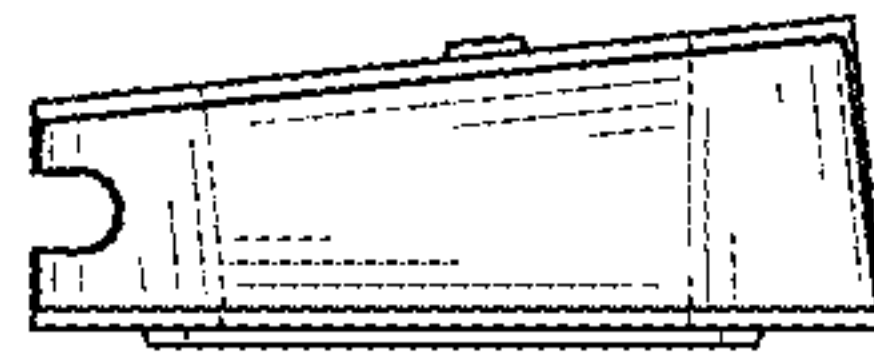


FIG. 8

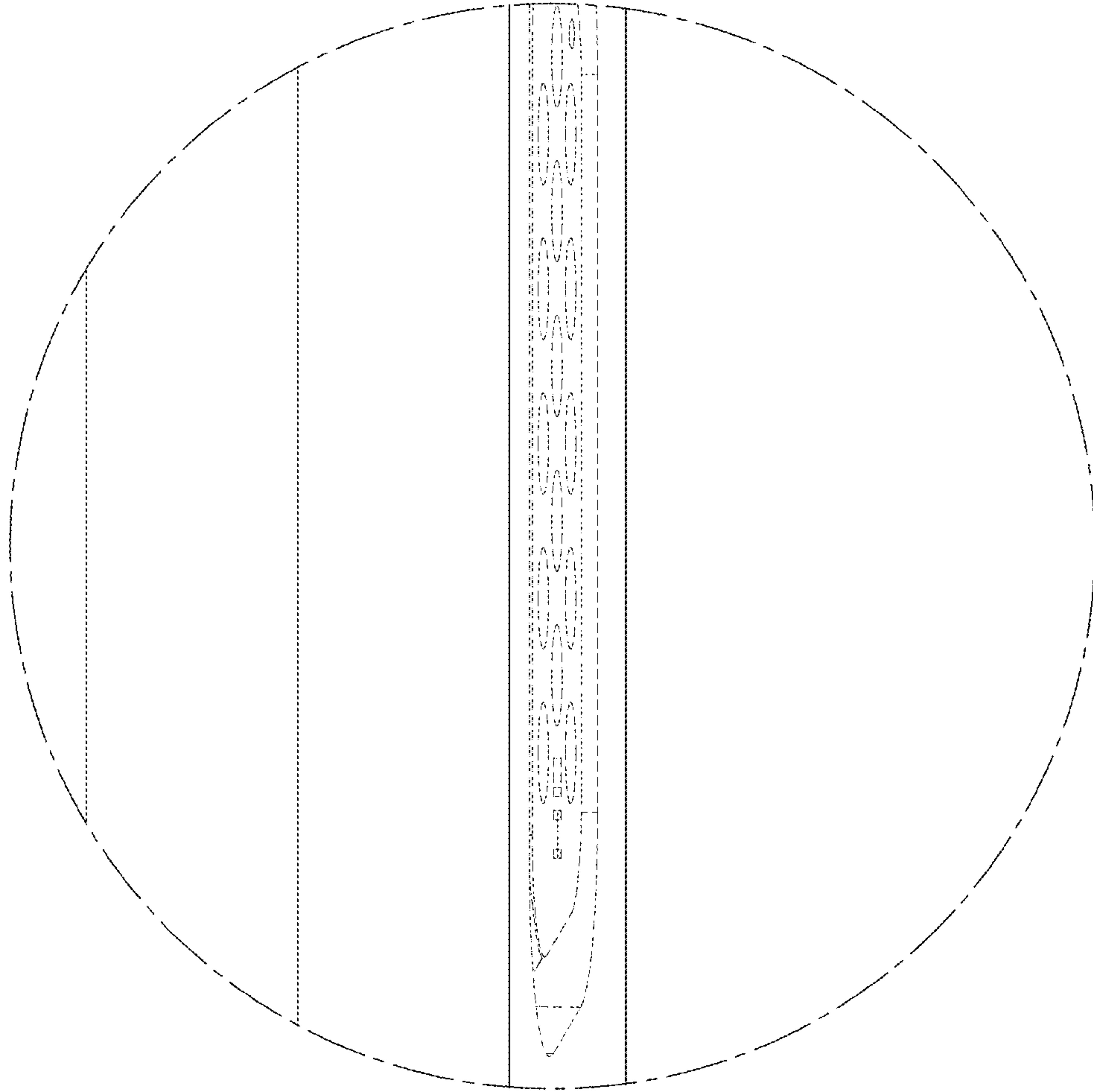


FIG. 9