



US00D927489S

(12) **United States Design Patent**
Xu et al.

(10) **Patent No.:** **US D927,489 S**
(45) **Date of Patent:** **** Aug. 10, 2021**

(54) **MOBILE COMPUTER**

FOREIGN PATENT DOCUMENTS

(71) Applicant: **Hand Held Products, Inc.**, Fort Mill, SC (US)

CN 304974419 * 1/2019
EM 004705879-0001 * 7/2018

(72) Inventors: **Gio Xu**, Shanghai (CN); **Jie Zhu**, Shanghai (CN); **Zhihua Dai**, Shenzhen GuangDong (CN)

OTHER PUBLICATIONS

ScanPal EDA70, announced 2018 [online], [retrieved Jun. 25, 2020]. Available from Internet, URL: <https://www.honeywellaidc.com/products/computer-devices/tablet/scanpaleda70> (Year: 2018).*

(73) Assignee: **HAND HELD PRODUCTS, INC.**, Fort Mill, SC (US)

Primary Examiner — Dana K Weiland

(**) Term: **15 Years**

(74) *Attorney, Agent, or Firm* — Alston & Bird LLP

(21) Appl. No.: **29/636,368**

(57) **CLAIM**

(22) Filed: **Feb. 8, 2018**

The ornamental design for a mobile computer, as shown and described.

(30) **Foreign Application Priority Data**

DESCRIPTION

Aug. 11, 2017 (CN) 201730367427.X

(51) **LOC (13) Cl.** **14-02**

(52) **U.S. Cl.**
USPC **D14/426; D14/341**

(58) **Field of Classification Search**
USPC D14/315–318, 341–347, 420, 426, 240, D14/129–130, 496, 137, 138 R, 138 AA, D14/138 AB, 138 AC, 138 AD, 138 C, D14/138 G, 147, 203.1–203.8, 218, 247, D14/371, 248, 388–389, 374, 429, 453; D6/308, 310; D10/104.1, 50, 65; D18/6–7; D19/26, 59, 60; D21/324, D21/329, 330, 332

(Continued)

(56) **References Cited**

U.S. PATENT DOCUMENTS

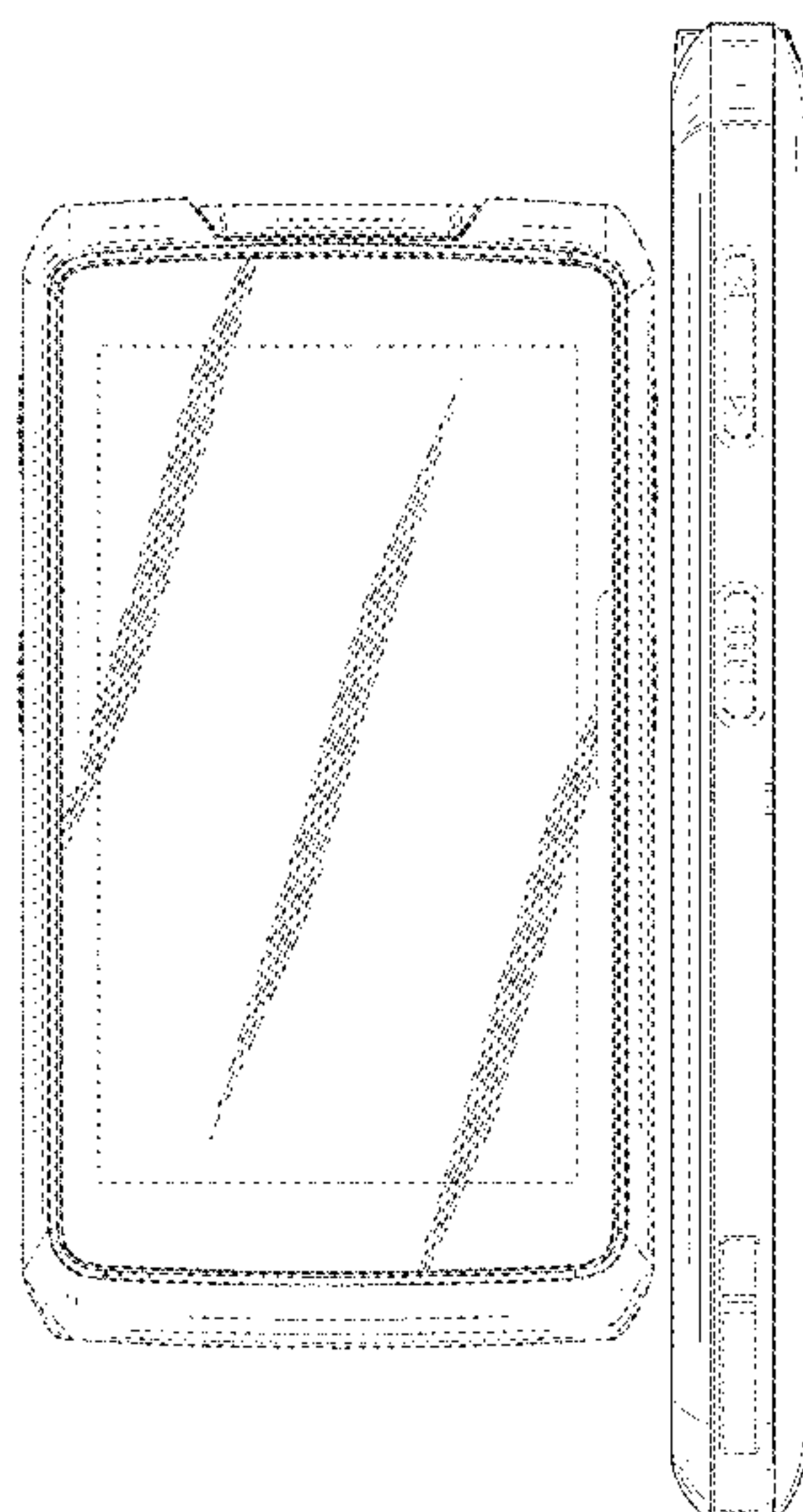
D641,001 S * 7/2011 Finney D14/138 G
D705,747 S * 5/2014 Boucquey D14/138 G

(Continued)

FIG. 1 is a front right perspective view of a mobile computer in accordance with the present invention;
FIG. 2 is a front, top, left perspective view of the mobile computer of FIG. 1;
FIG. 3 is a rear, bottom, right perspective view of the mobile computer of FIG. 1;
FIG. 4 is a front elevation view of the mobile computer of FIG. 1;
FIG. 5 is a rear elevation view of the mobile computer of FIG. 1;
FIG. 6 is a right elevation view of the mobile computer of FIG. 1;
FIG. 7 is a left elevation view of the mobile computer of FIG. 1;
FIG. 8 is a top plan view of the mobile computer of FIG. 1; and,
FIG. 9 is a bottom plan view of the mobile computer of FIG. 1.

The broken lines and unshaded regions bounded by broken lines show portions of the mobile computer that form no part of the claimed design.

1 Claim, 7 Drawing Sheets



(58) **Field of Classification Search**
 CPC G06F 1/1626; G06F 1/1613; G06F 3/0488;
 G06F 3/04886; G06F 3/041; G06F
 3/0412; G06F 3/0416; H04M 1/725;
 H04M 1/0202; H04M 1/0266
 See application file for complete search history.

(56) **References Cited**

U.S. PATENT DOCUMENTS

D715,245 S * 10/2014 Meneses D14/138 G
 8,971,928 B2 * 3/2015 Barnes G06F 3/0346
 455/456.3
 D775,596 S * 1/2017 Guo D14/138 G
 D779,480 S * 2/2017 Abrams D14/341
 D780,148 S * 2/2017 Nagao D14/138 G
 D780,149 S * 2/2017 Daniel D14/138 G
 D785,612 S * 5/2017 Kim D14/248
 D795,214 S * 8/2017 Tschopp D14/138 G

D800,083 S * 10/2017 Park D14/138 G
 D802,551 S * 11/2017 Hunt D14/138 G
 D808,918 S * 1/2018 Wei D14/138 G
 D823,300 S * 7/2018 Fountain D14/341
 D823,852 S * 7/2018 Shen D14/341
 D828,320 S * 9/2018 Tschopp D14/138 G
 D840,961 S * 2/2019 Panosian D14/138 G
 D844,580 S * 4/2019 Park D14/138 G
 D876,380 S * 2/2020 Duman D14/137
 D882,541 S * 4/2020 Xu D14/138 G
 D886,074 S * 6/2020 Wei D14/138 G
 10,749,300 B2 * 8/2020 Shi H02J 7/0045
 D906,993 S * 1/2021 Fitch D14/138 G
 D911,345 S * 2/2021 Zhou D14/426
 D912,055 S * 3/2021 Zhang D14/426
 2013/0273944 A1 * 10/2013 Wilson H04M 1/026
 455/457
 2016/0179143 A1 * 6/2016 Bidwell G06F 1/1626
 361/679.4

* cited by examiner

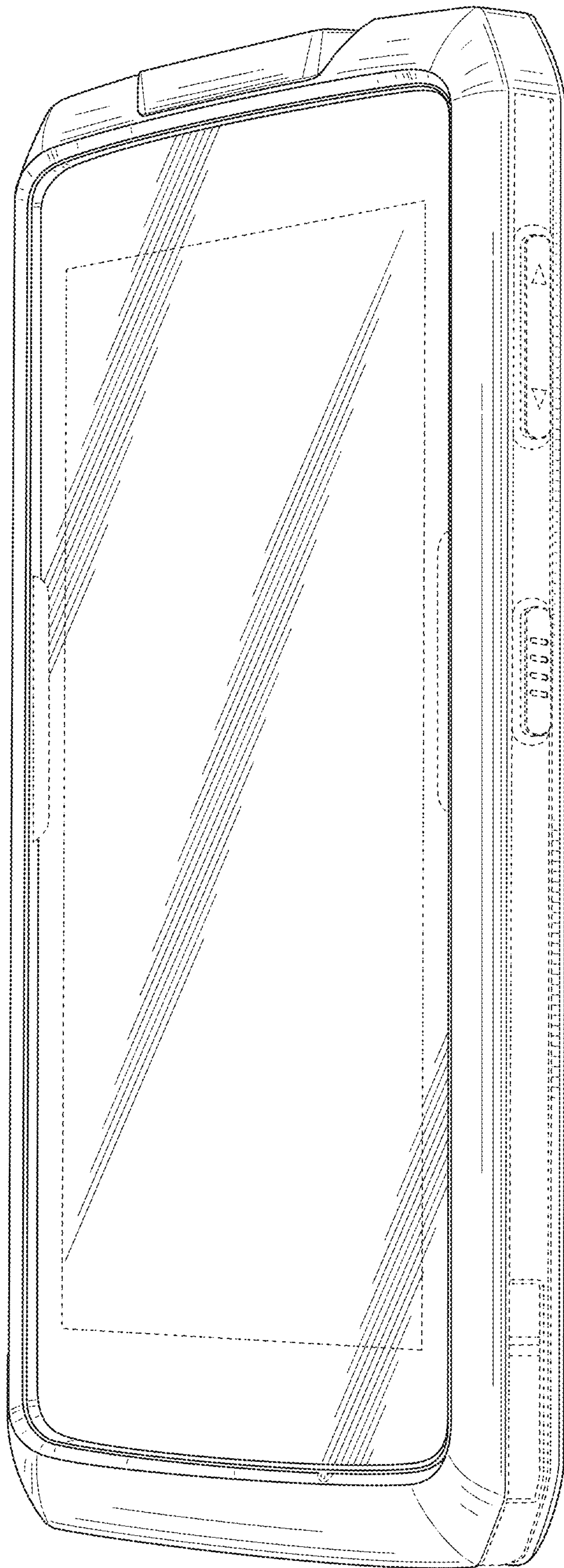


FIG. 1

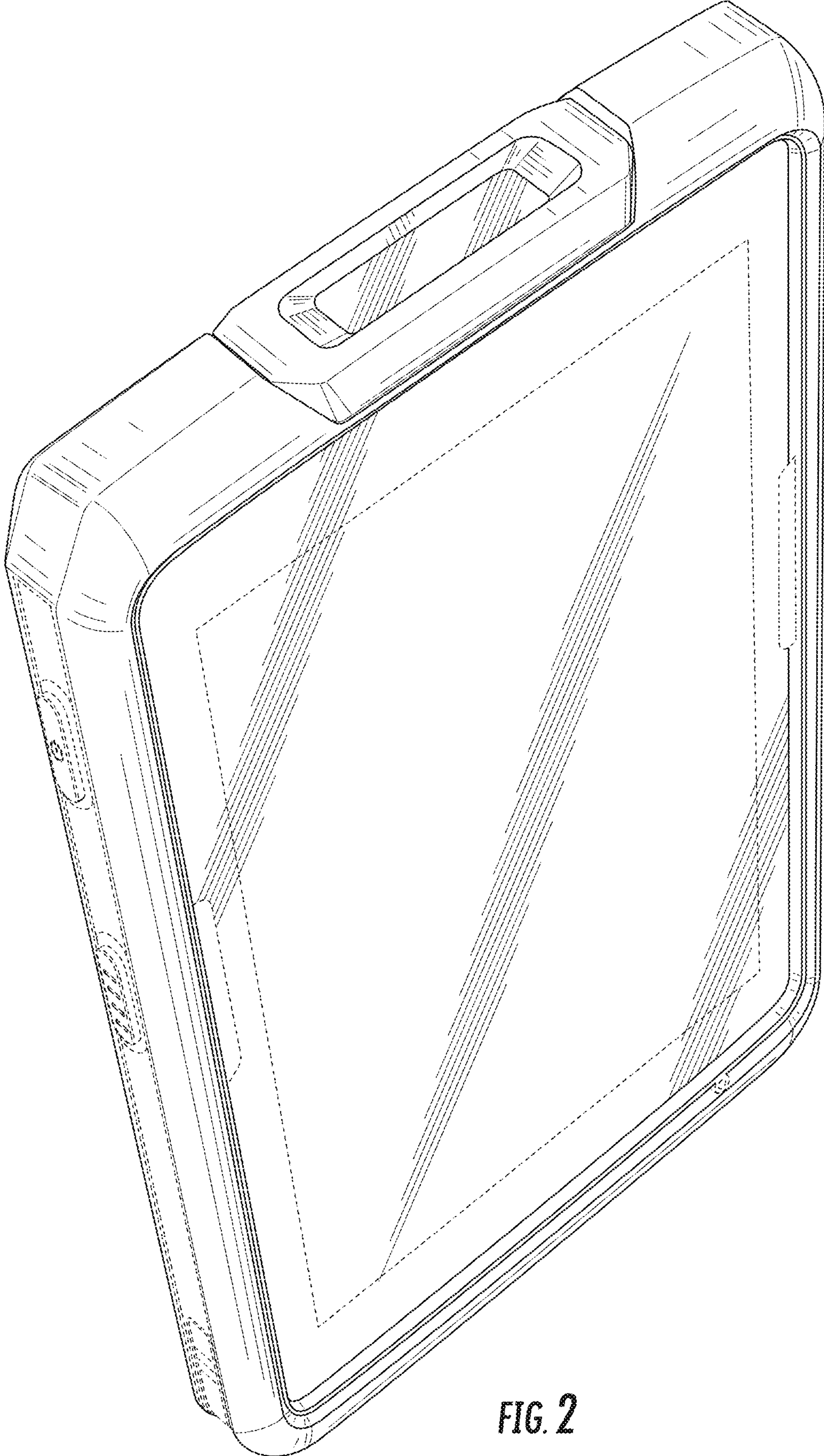


FIG. 2

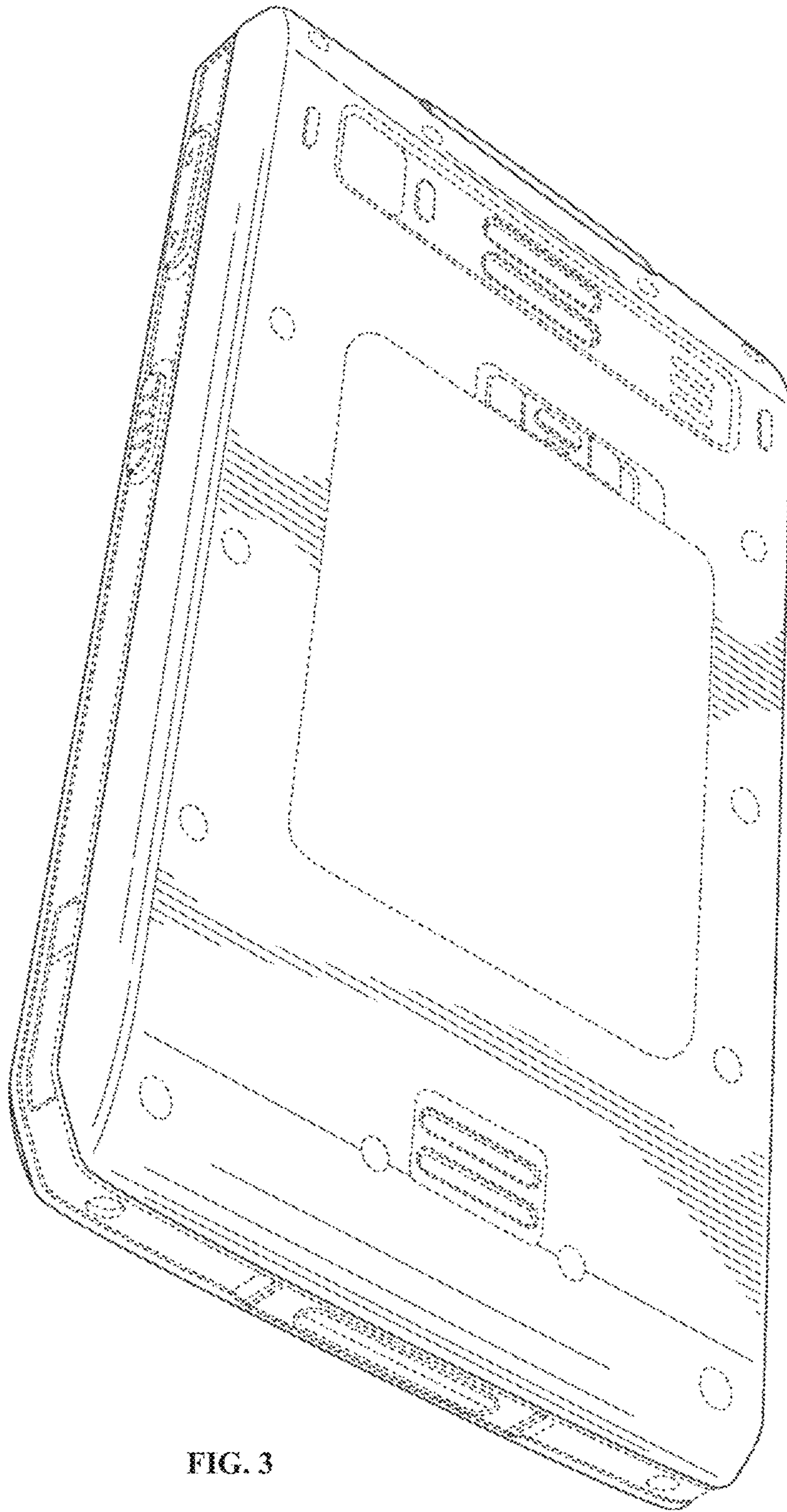


FIG. 3

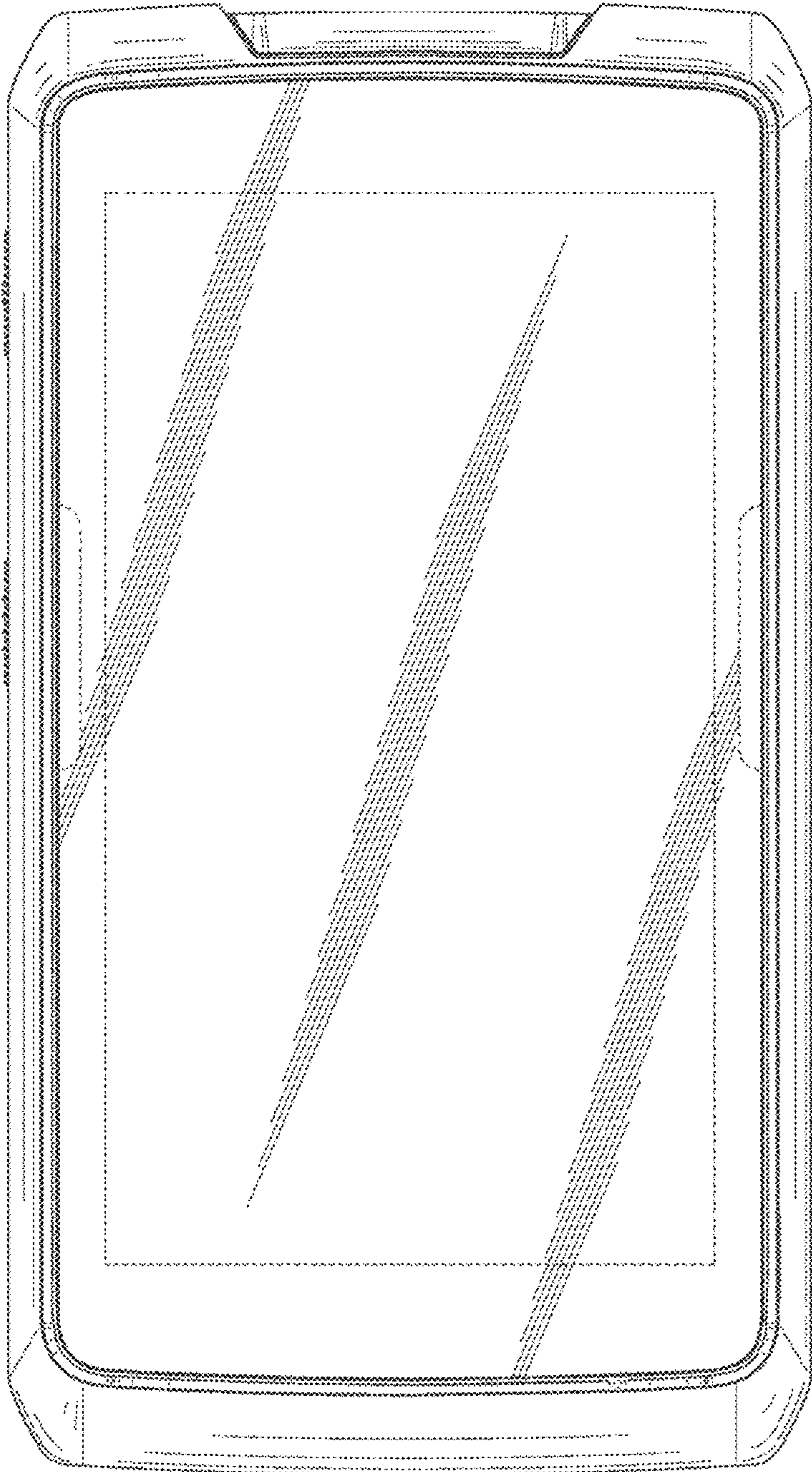


FIG. 4

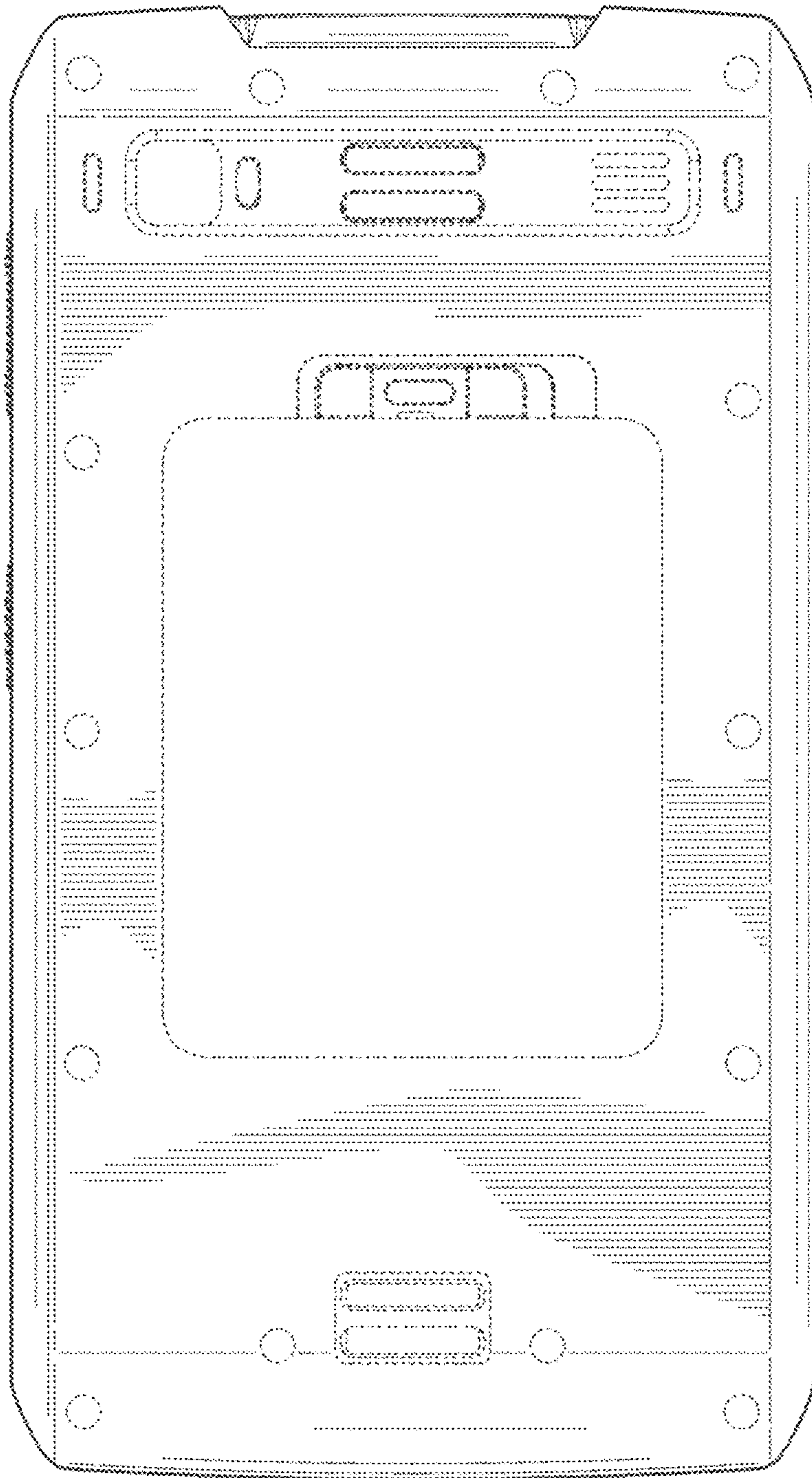


FIG. 5

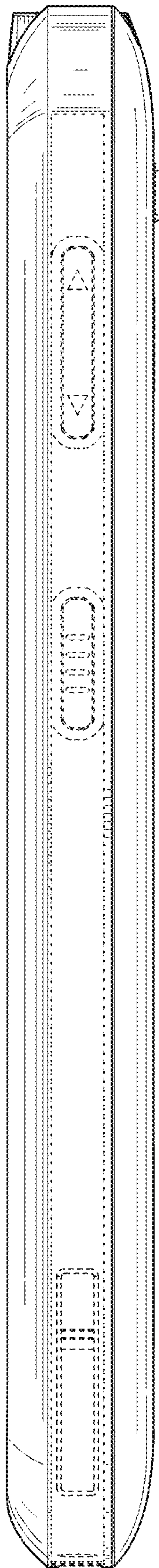


FIG. 6

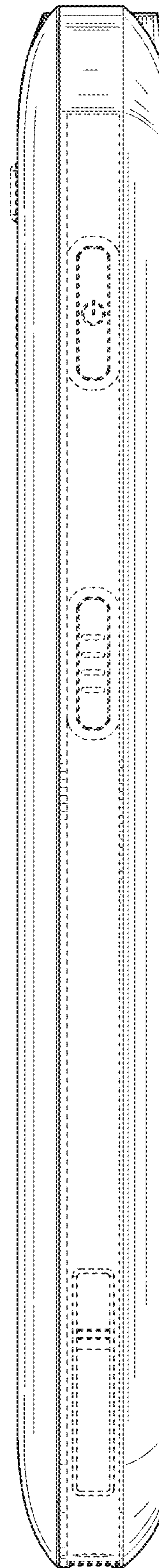


FIG. 7

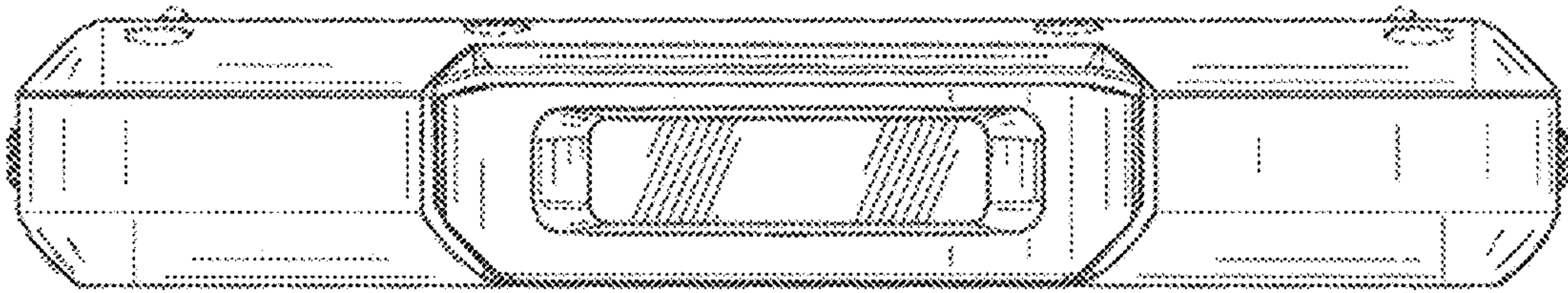


FIG. 8

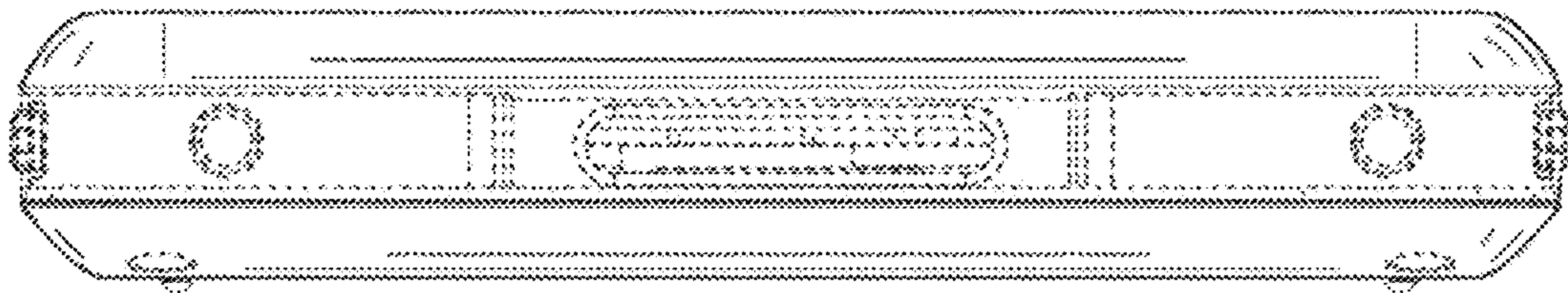


FIG. 9