



US00D927487S

(12) **United States Design Patent**
Chen

(10) **Patent No.:** **US D927,487 S**

(45) **Date of Patent:** **** Aug. 10, 2021**

(54) **ELECTRONIC DEVICE**

(71) Applicant: **Square, Inc.**, San Francisco, CA (US)

(72) Inventor: **Yenliang Chen**, San Francisco, CA (US)

(73) Assignee: **Square, Inc.**, San Francisco, CA (US)

(**) Term: **15 Years**

(21) Appl. No.: **29/761,988**

(22) Filed: **Dec. 14, 2020**

Related U.S. Application Data

(62) Division of application No. 29/654,221, filed on Jun. 21, 2018, now Pat. No. Des. 905,058.

(51) **LOC (13) Cl.** **14-02**

(52) **U.S. Cl.**
USPC **D14/385**

(58) **Field of Classification Search**
USPC D18/4.4, 4.5, 4.6, 12, 12.1, 12.3;
D14/383, 384, 385, 386, 378, 420, 427,
D14/432-439, 447, 453; D13/107, 108,
D13/133, 146, 147, 152, 154, 156;
235/441, 451, 492, 380, 439, 375
CPC G06K 19/07749; G06K 19/0723; G06K
19/041; G06K 19/07758; G06K 19/0775;
G06K 19/07783; G06K 19/07794; G06K
19/06046; G06K 19/07722; G06K
19/07773; G06K 19/07779; G06K
19/07784; G06K 19/07786; G06K
19/0709

See application file for complete search history.

(56) **References Cited**

U.S. PATENT DOCUMENTS

D275,482 S * 9/1984 Coons D13/108
D341,567 S * 11/1993 Acker D13/110
D458,923 S 6/2002 Freitag et al.

D497,318 S * 10/2004 Strand D10/104.1
D549,708 S 8/2007 Phillips et al.
D605,588 S * 12/2009 Nomi D13/108
D682,273 S * 5/2013 Taunay da Graca Cuoto
D14/385
D730,899 S 6/2015 Daniel
D752,051 S * 3/2016 Chen D14/434
D791,223 S 7/2017 Blanc
D813,240 S 3/2018 Yeruva et al.
D844,698 S 4/2019 Isaacs et al.
D905,058 S * 12/2020 Chen D14/385

OTHER PUBLICATIONS

Canadian Office Action dated Nov. 19, 2019 for Canadian Patent Application No. 185174, a counterpart of U.S. Appl. No. 29/654,221, 2 pages.

Japanese Office Action dated Jul. 29, 2019 for Japanese Patent Application No. 2018-028086, a counterpart of U.S. Appl. No. 29/654,221, 2 pages.

* cited by examiner

Primary Examiner — Austin Murphy

(74) *Attorney, Agent, or Firm* — Lee & Hayes, P.C.

(57) **CLAIM**

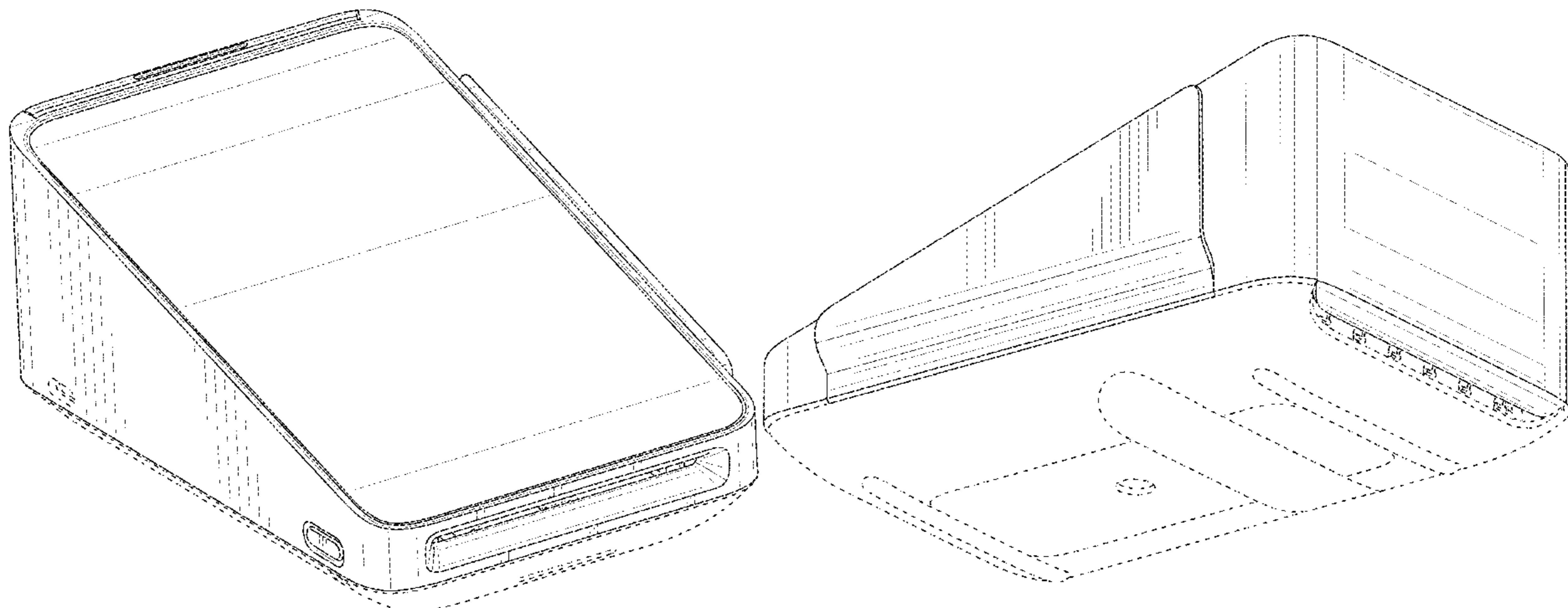
The ornamental design for an electronic device, as shown and described.

DESCRIPTION

FIG. 1 is a top perspective view of an electronic device;
FIG. 2 is a bottom perspective view thereof;
FIG. 3 is a front view thereof;
FIG. 4 is a back view thereof;
FIG. 5 is a left-side view thereof;
FIG. 6 is a right-side view thereof;
FIG. 7 is a top view thereof; and,
FIG. 8 is a bottom view thereof.

The dashed broken lines depict portions of the electronic device that form no part of the claimed design.

1 Claim, 8 Drawing Sheets



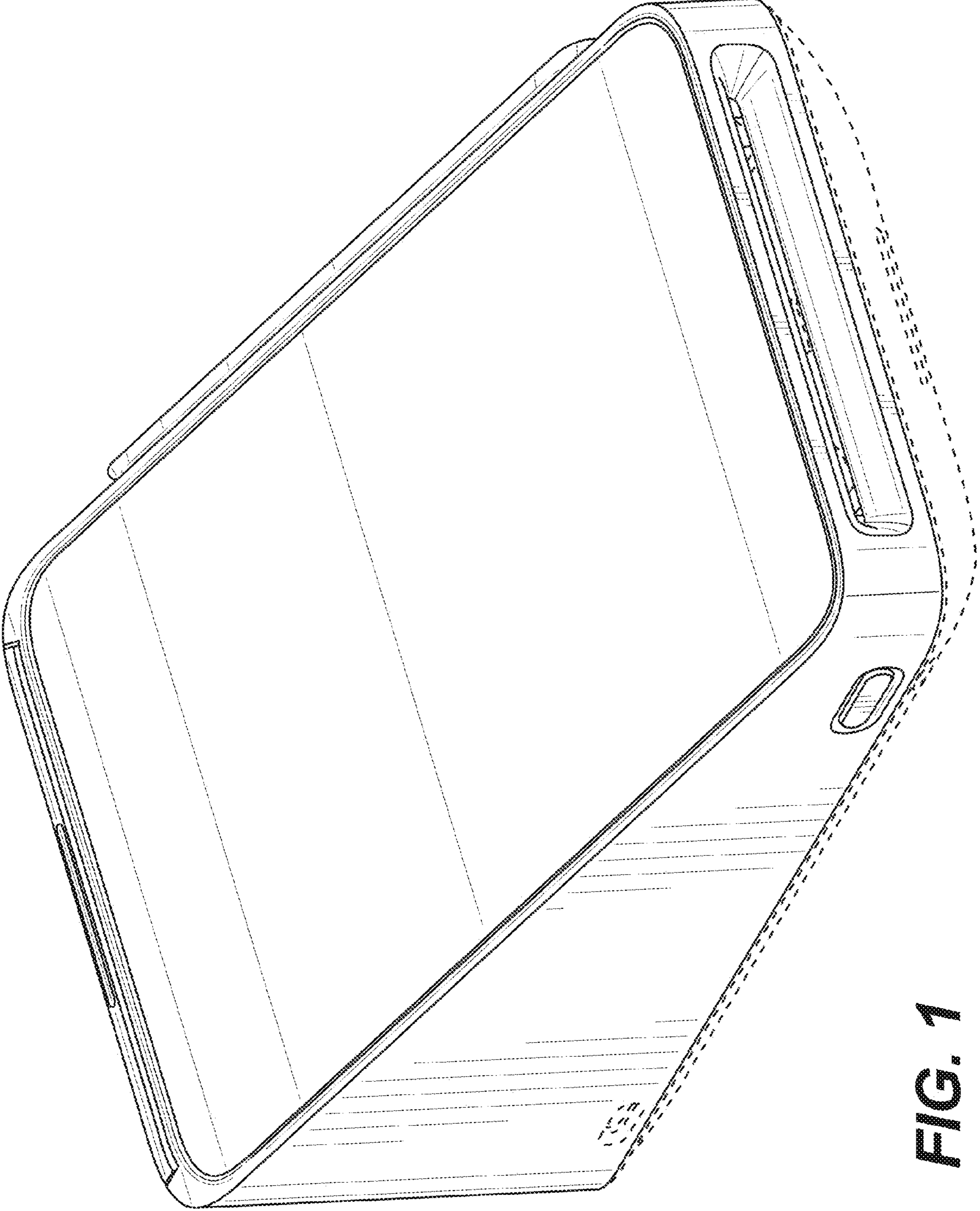


FIG. 1

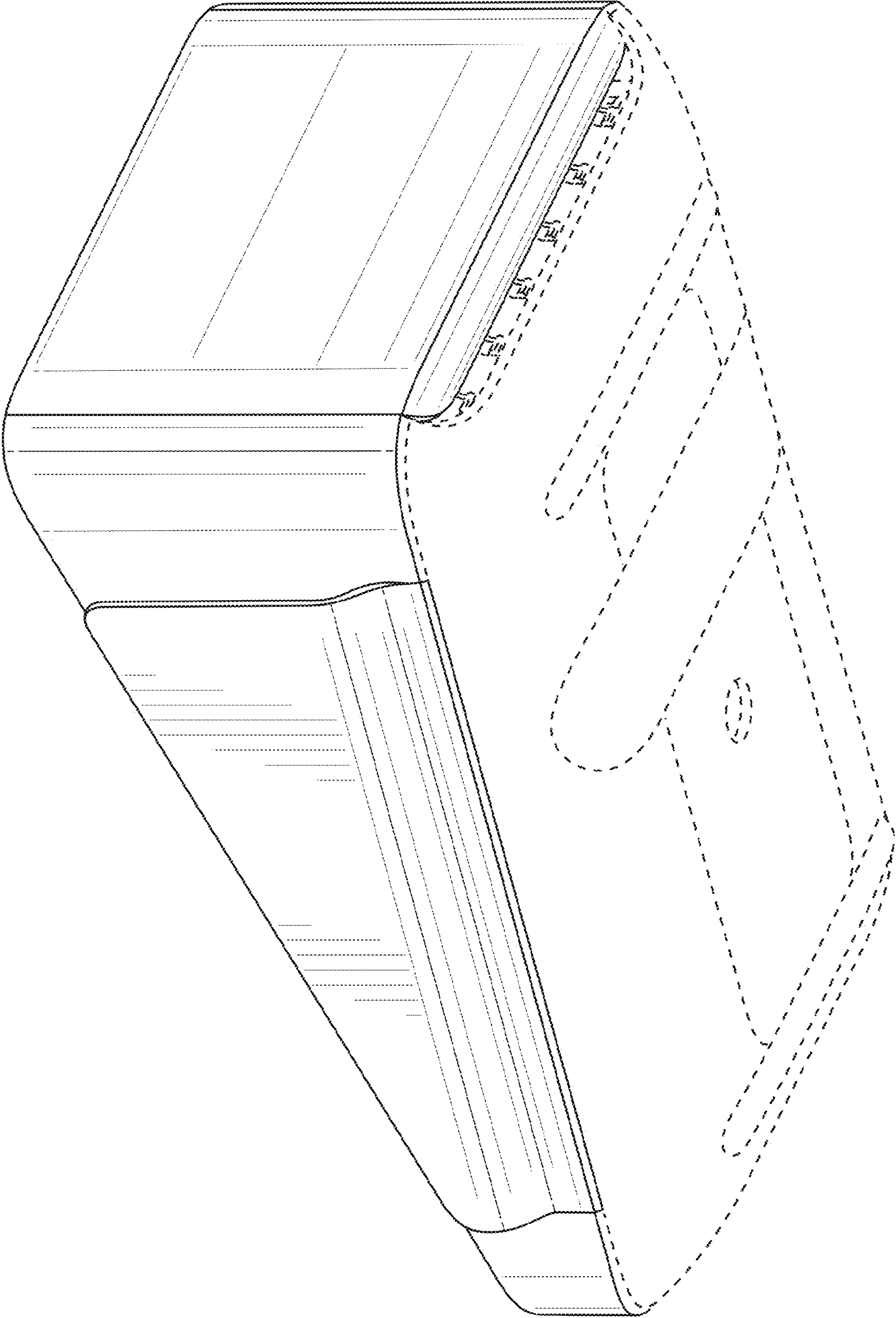


FIG. 2

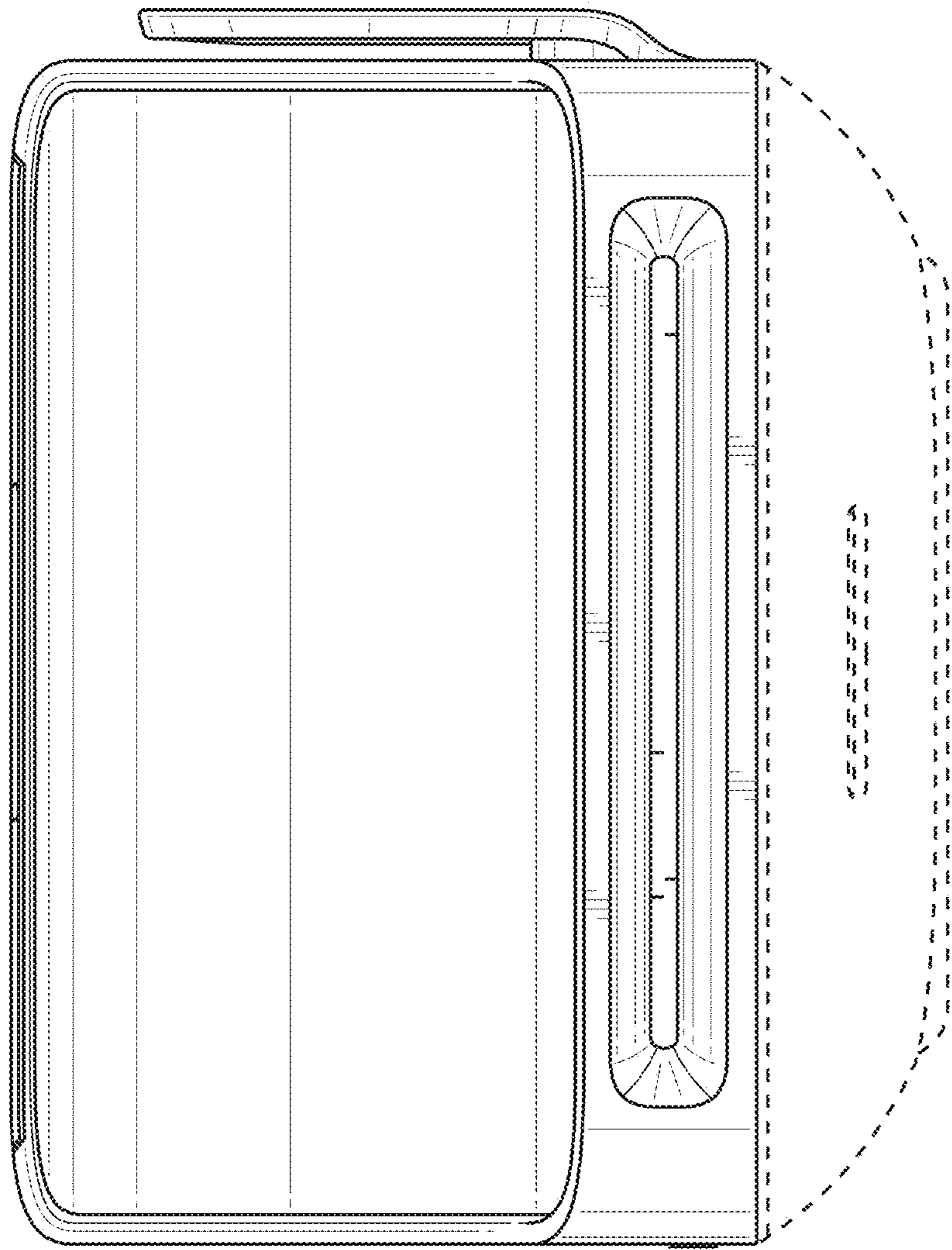


FIG. 3

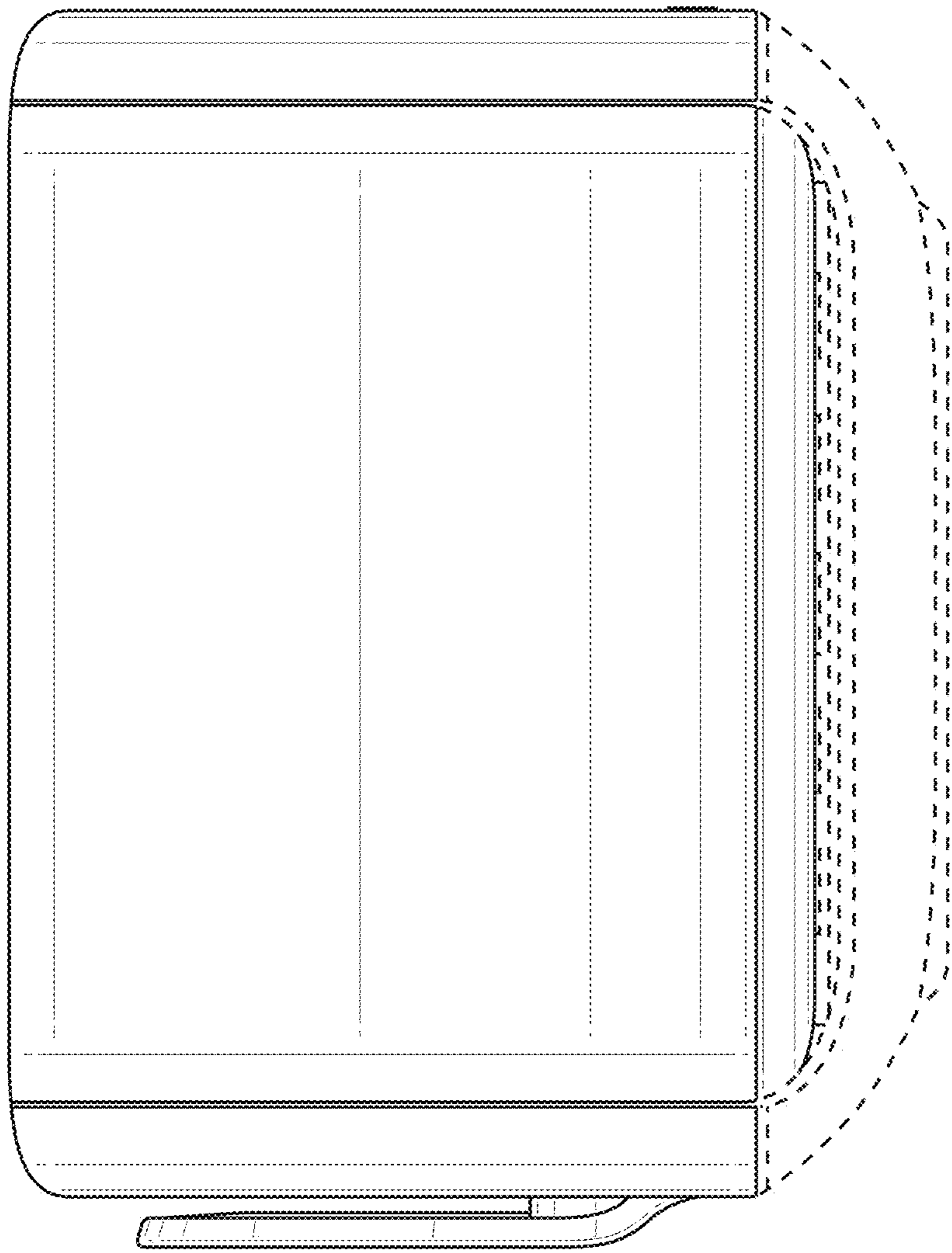


FIG. 4

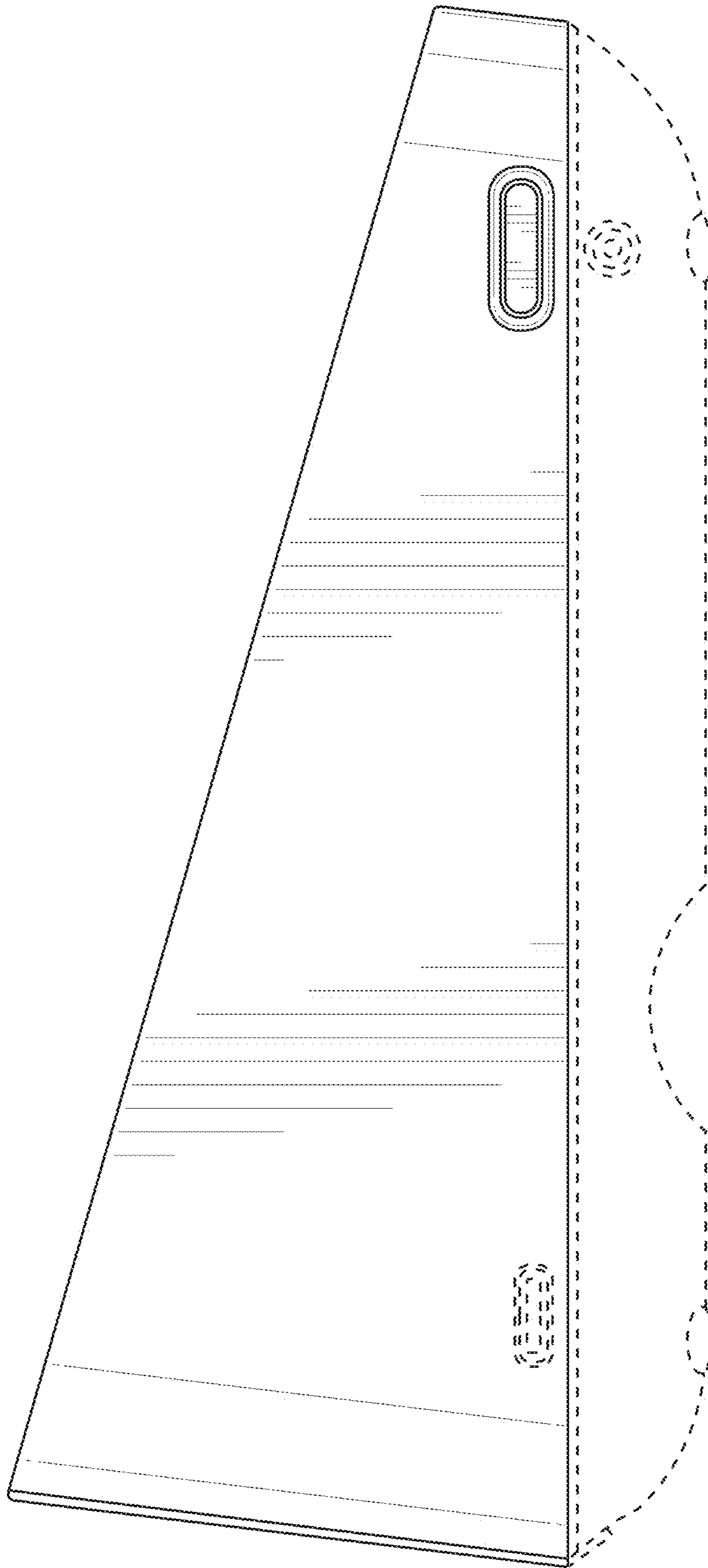


FIG. 5

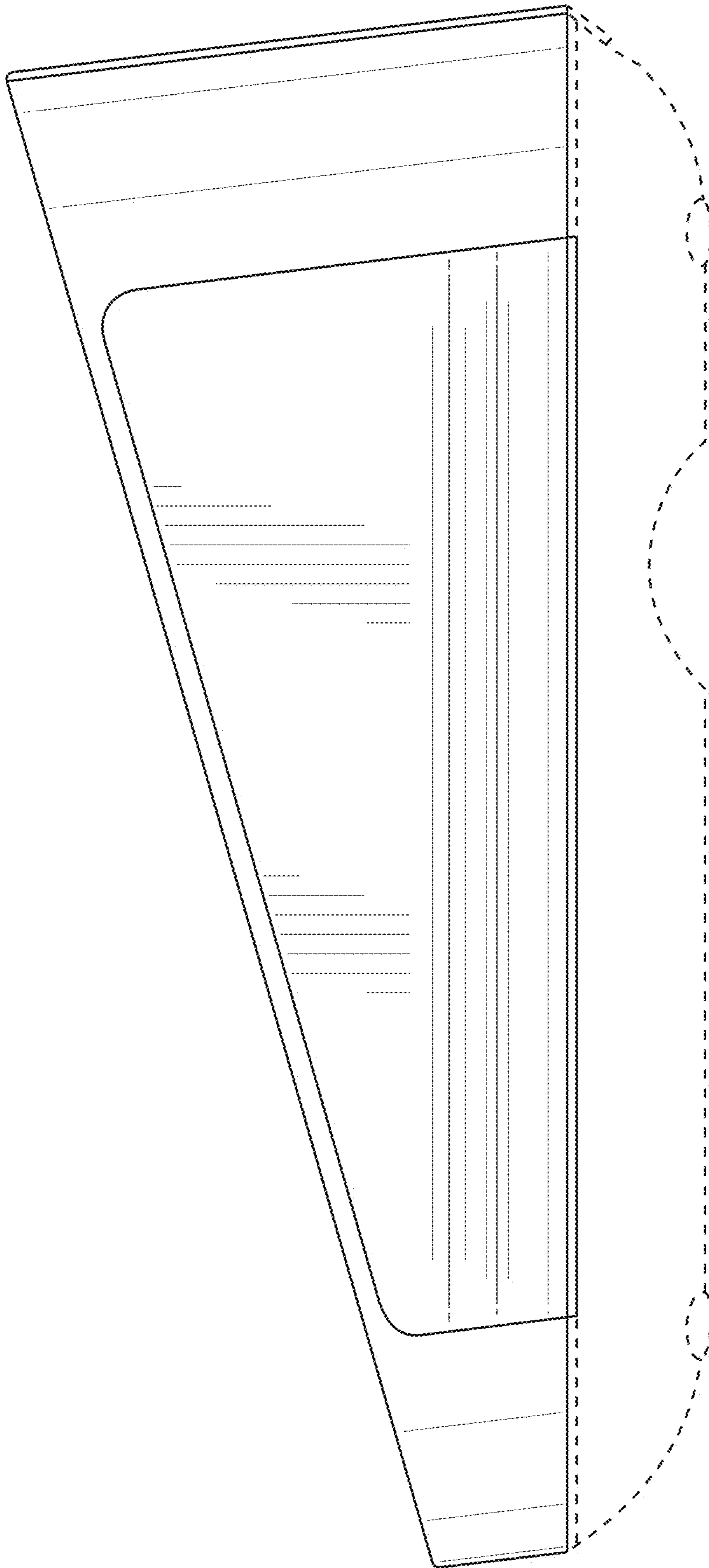


FIG. 6



FIG. 7

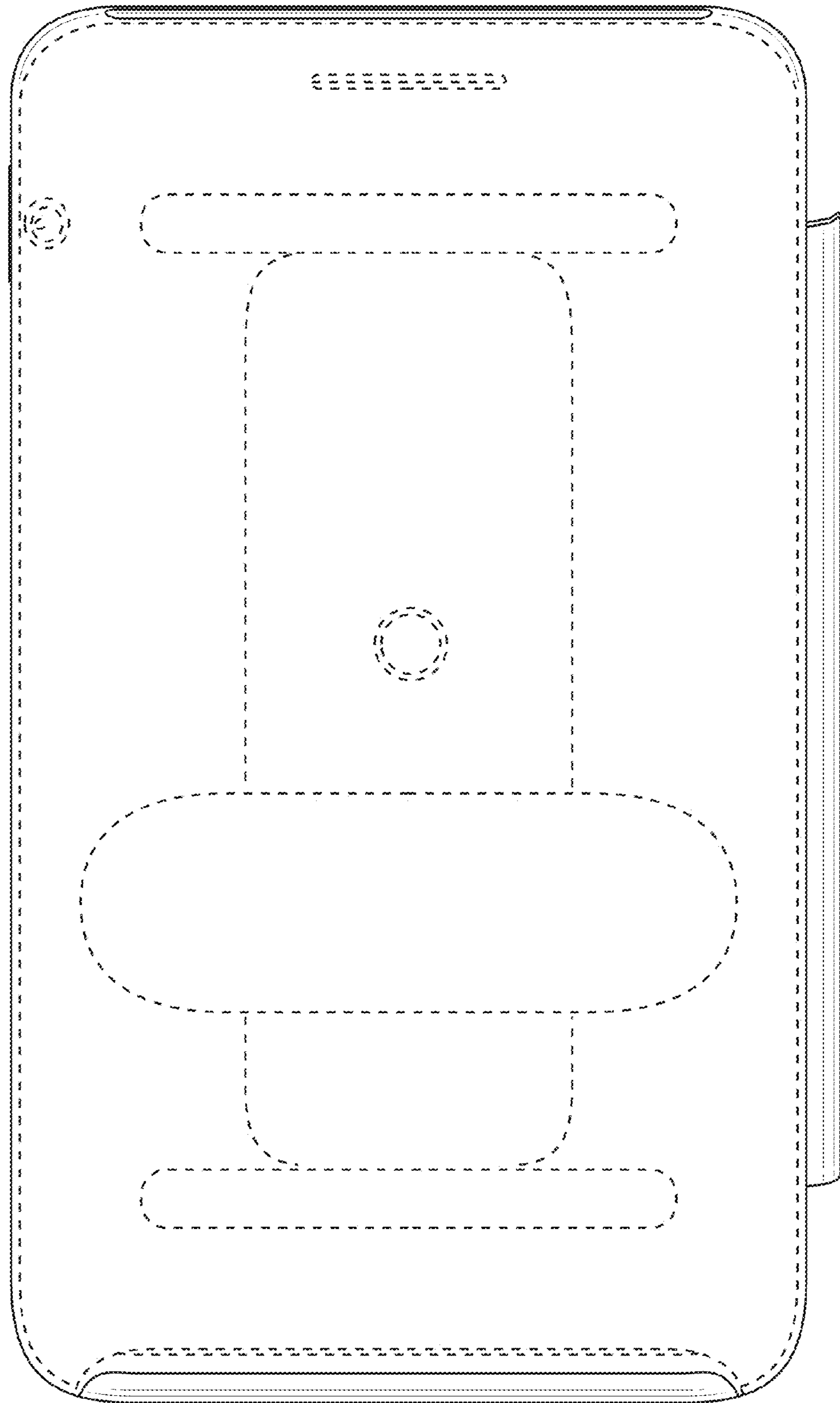


FIG. 8