



US00D927486S

(12) **United States Design Patent** (10) **Patent No.:** **US D927,486 S**
Ryu et al. (45) **Date of Patent:** **** Aug. 10, 2021**

(54) **COMPUTER MONITOR**
(71) Applicant: **LG ELECTRONICS INC., Seoul (KR)**
(72) Inventors: **Daihyung Ryu, Seoul (KR); Hyeongyeol Kim, Seoul (KR)**
(73) Assignee: **LG ELECTRONICS INC., Seoul (KR)**

D786,868 S * 5/2017 Kim D14/374
D791,130 S * 7/2017 Oh D14/374
D791,131 S * 7/2017 Oh D14/374
D797,736 S * 9/2017 Chu D14/374
D828,837 S * 9/2018 Kim D14/374
D835,593 S * 12/2018 Shin D14/126
D836,584 S * 12/2018 Kim D14/126
D871,406 S * 12/2019 Kim D14/374
D900,818 S * 11/2020 Kim D14/374

(**) Term: **15 Years**
(21) Appl. No.: **35/509,850**
(22) Filed: **Jan. 23, 2020**

(80) **Hague Agreement Data**
Int. Filing Date: **Jan. 23, 2020**
Int. Reg. No.: **DM/206072**
Int. Reg. Date: **Jan. 23, 2020**
Int. Reg. Pub. Date: **Jul. 24, 2020**

(30) **Foreign Application Priority Data**
Aug. 23, 2019 (KR) 30-2019-0040431

(51) **LOC (13) Cl.** **14-03**
(52) **U.S. Cl.**

USPC **D14/374**
(58) **Field of Classification Search**
USPC D6/300, 308, 310, 642, 643, 650.1, D6/653.15, 654.15, 657, 661, 675; D14/125-129, 132, 239, 336, 341, D14/373-377, 451
CPC G06F 1/1601; G06F 1/1605; G06F 1/162
See application file for complete search history.

(56) **References Cited**
U.S. PATENT DOCUMENTS

D751,075 S * 3/2016 Ho D14/374
D784,984 S * 4/2017 Lim D14/374

OTHER PUBLICATIONS

Philips 276E8VJSB review, publication date Apr. 19, 2019, [online] URL: <https://pcmonitors.info/reviews/philips-276e8vjsb/> (Year: 2019).*

* cited by examiner

Primary Examiner — L. A. Grabenstetter
(74) *Attorney, Agent, or Firm* — Birch, Stewart, Kolasch & Birch LLP

(57) **CLAIM**

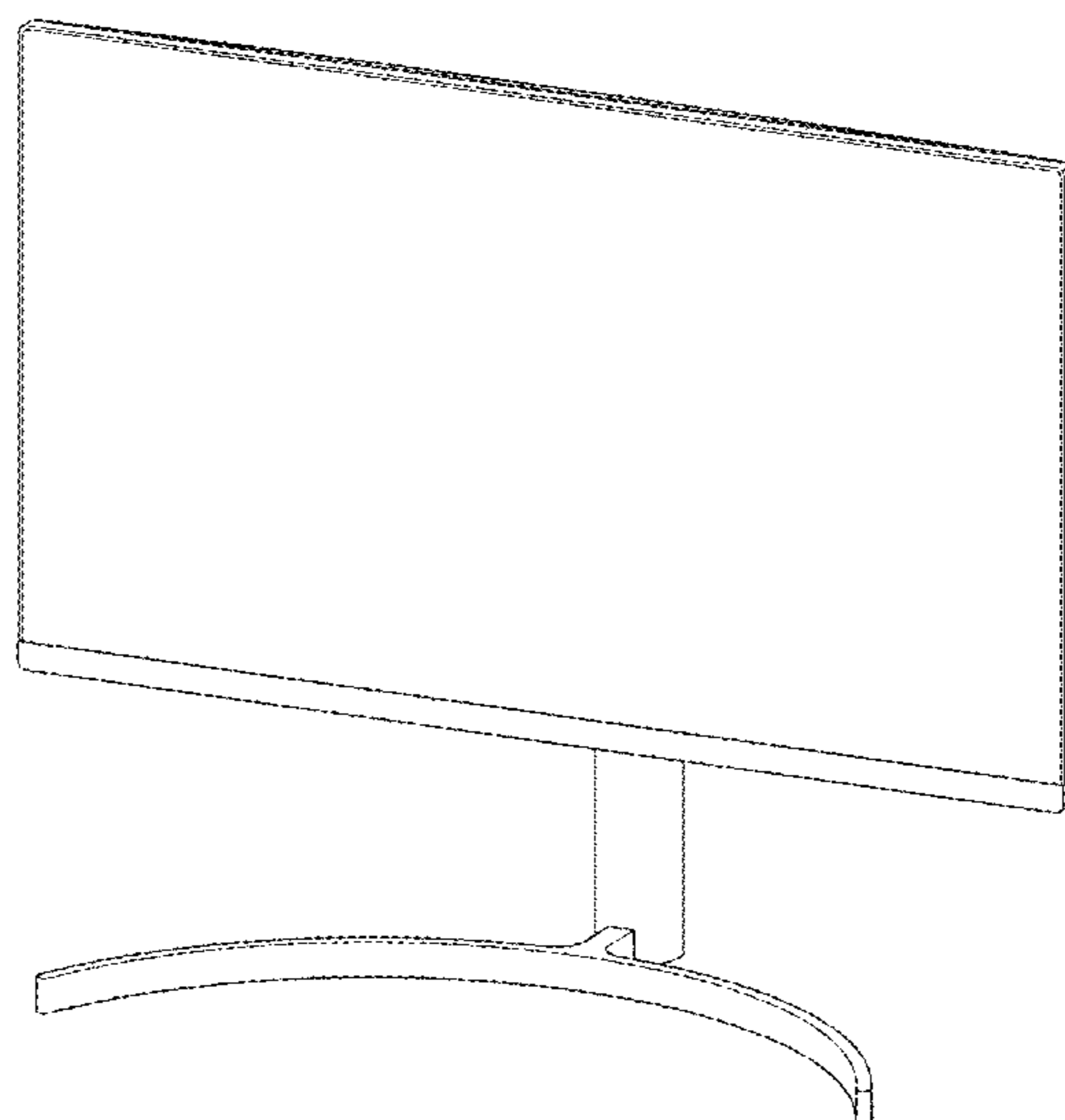
The ornamental design for a computer monitor, as shown and described.

DESCRIPTION

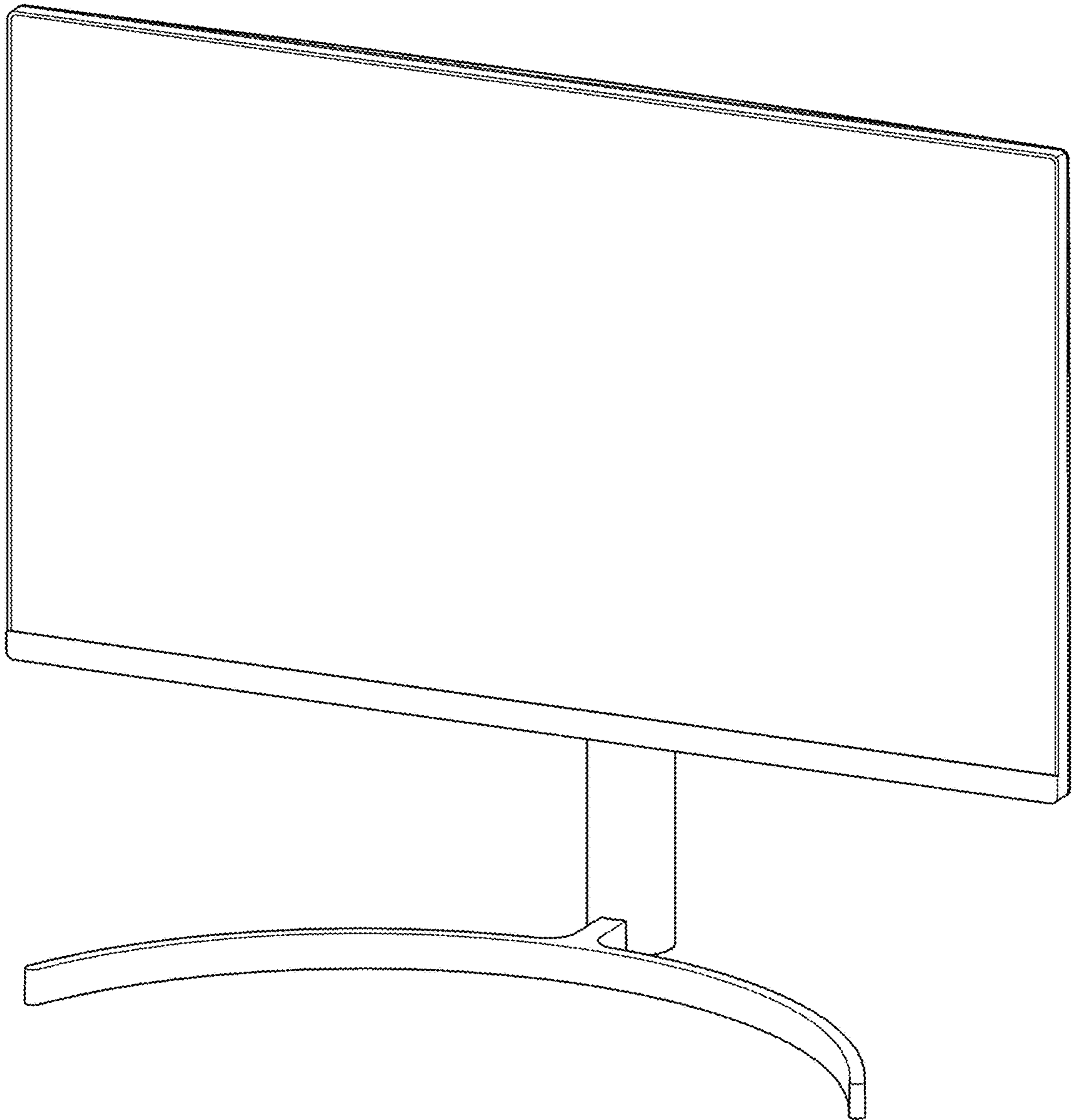
- 1. Computer monitor
- 1.1 : Front perspective view
- 1.2 : Rear perspective view
- 1.3 : Front view
- 1.4 : Rear view
- 1.5 : Left view
- 1.6 : Right view
- 1.7 : Top view
- 1.8 : Bottom view

The parts shown by means of broken lines in the reproductions are not part of the claimed design.

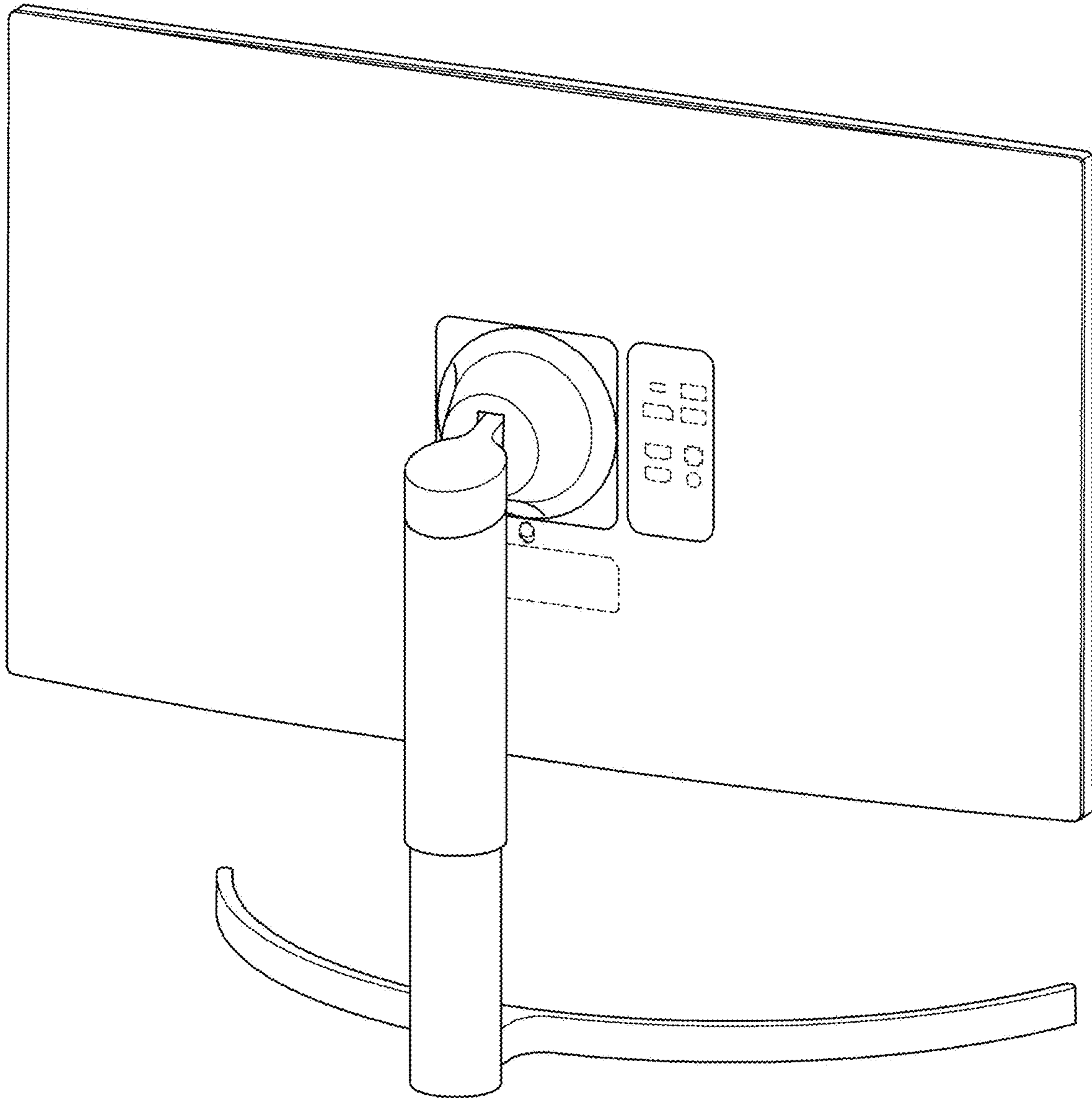
1 Claim, 8 Drawing Sheets



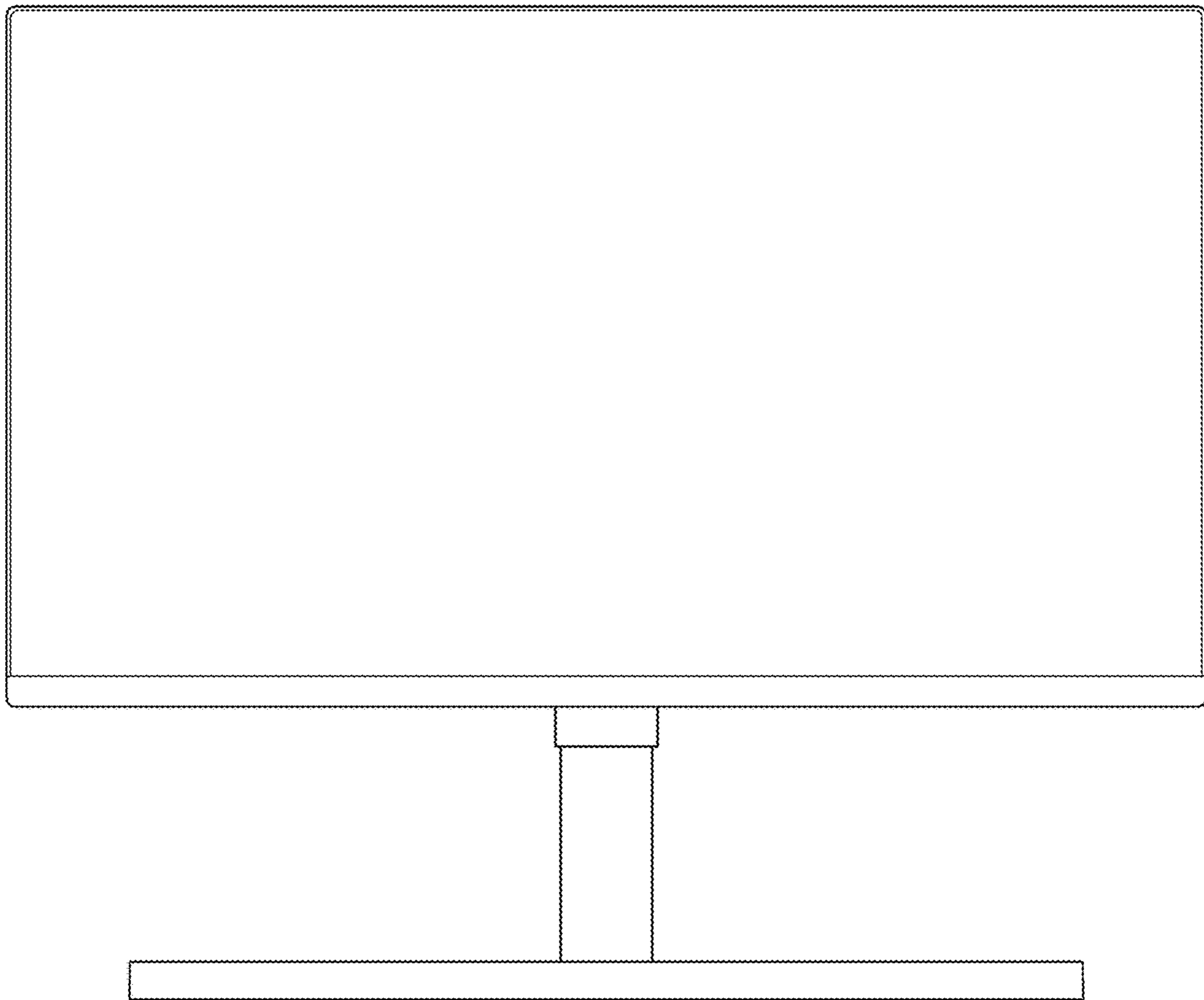
1.1



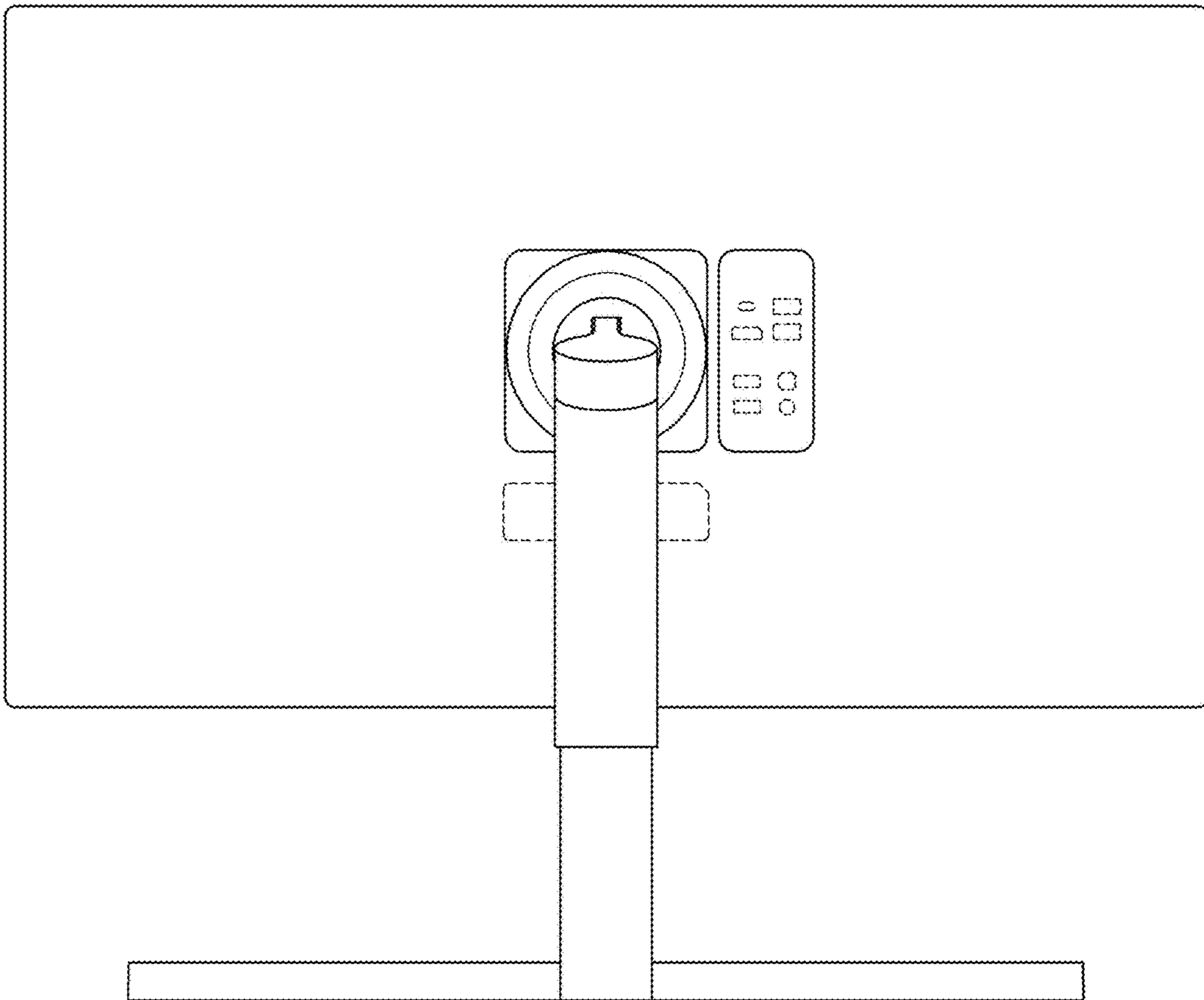
1.2



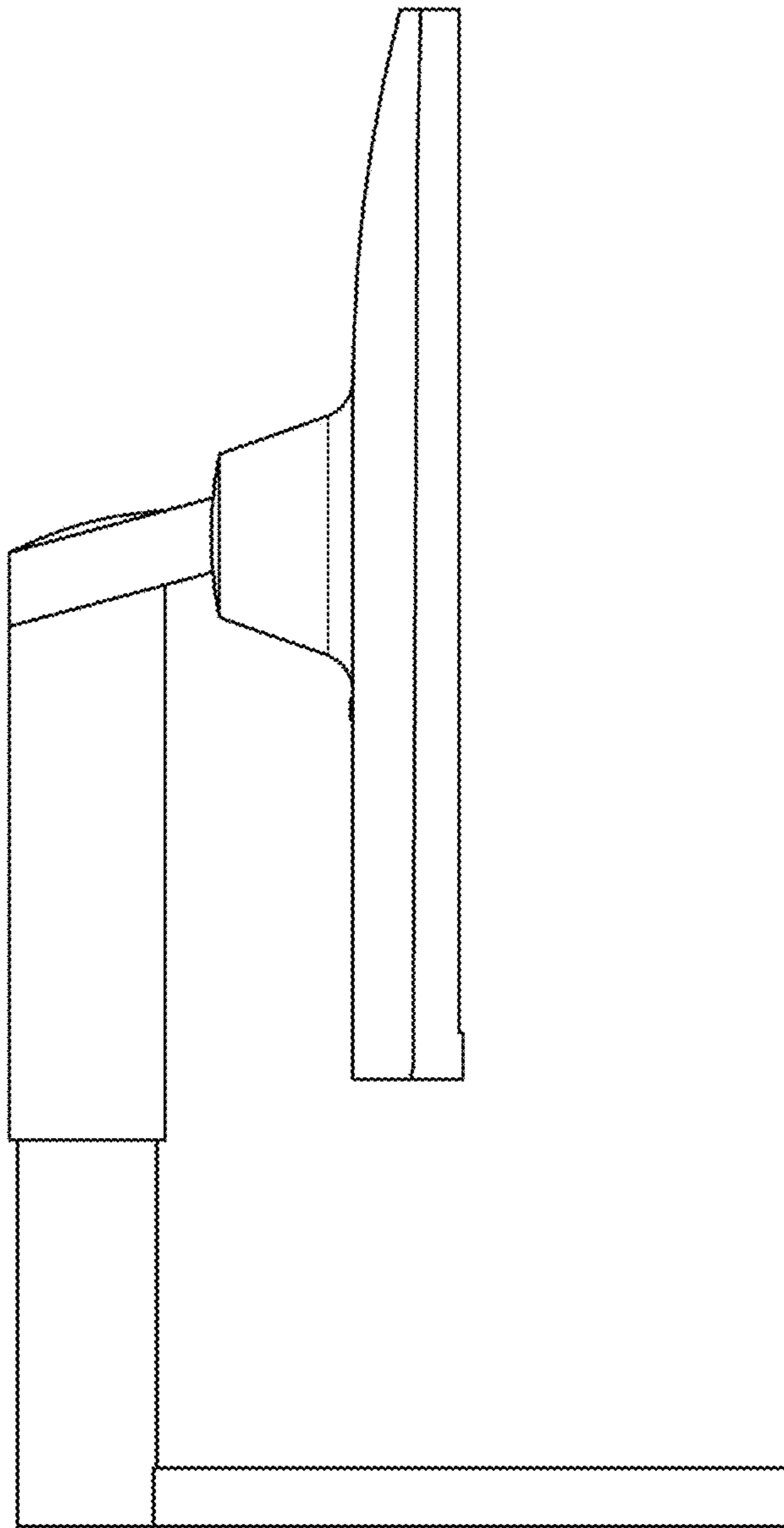
1.3



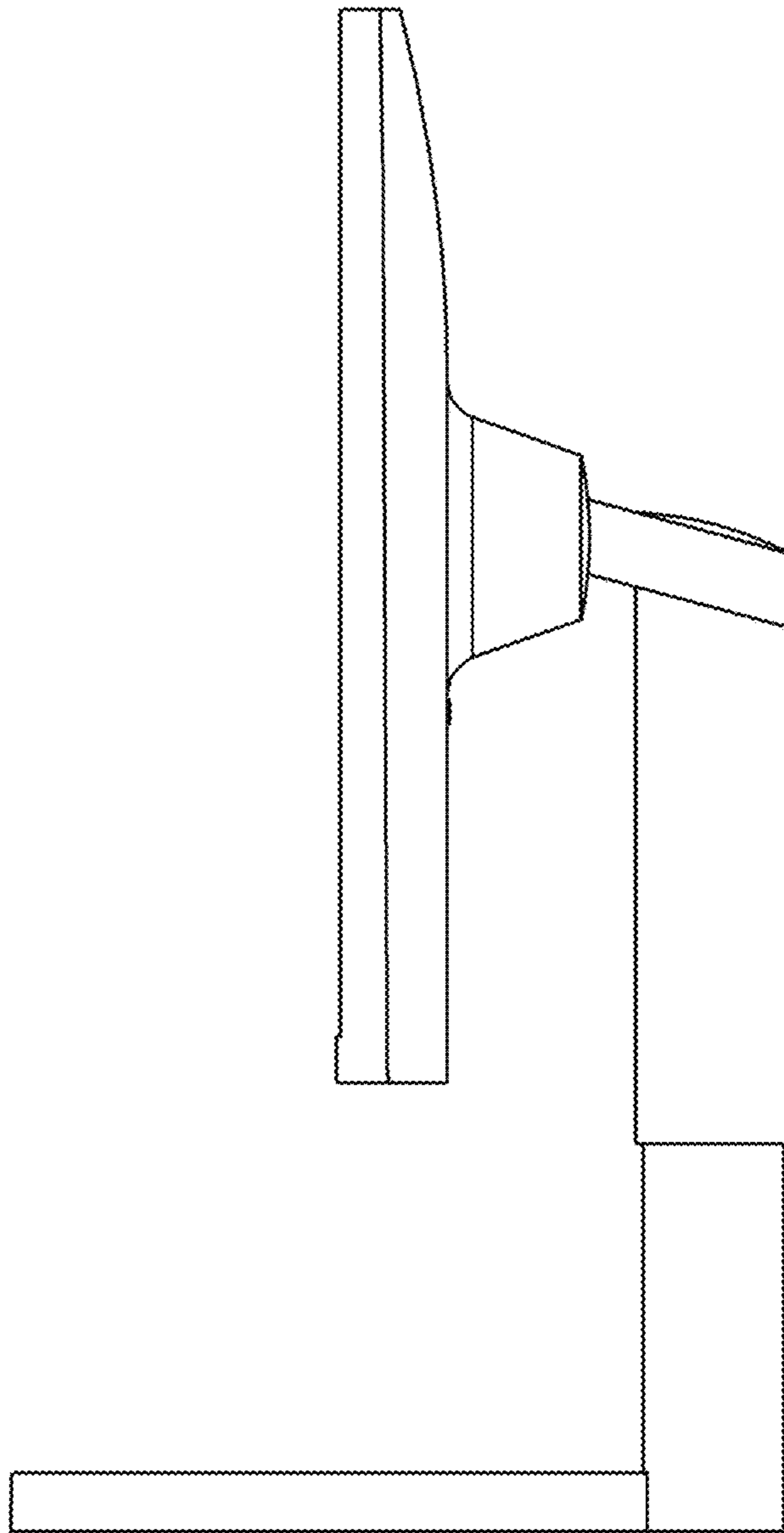
1.4



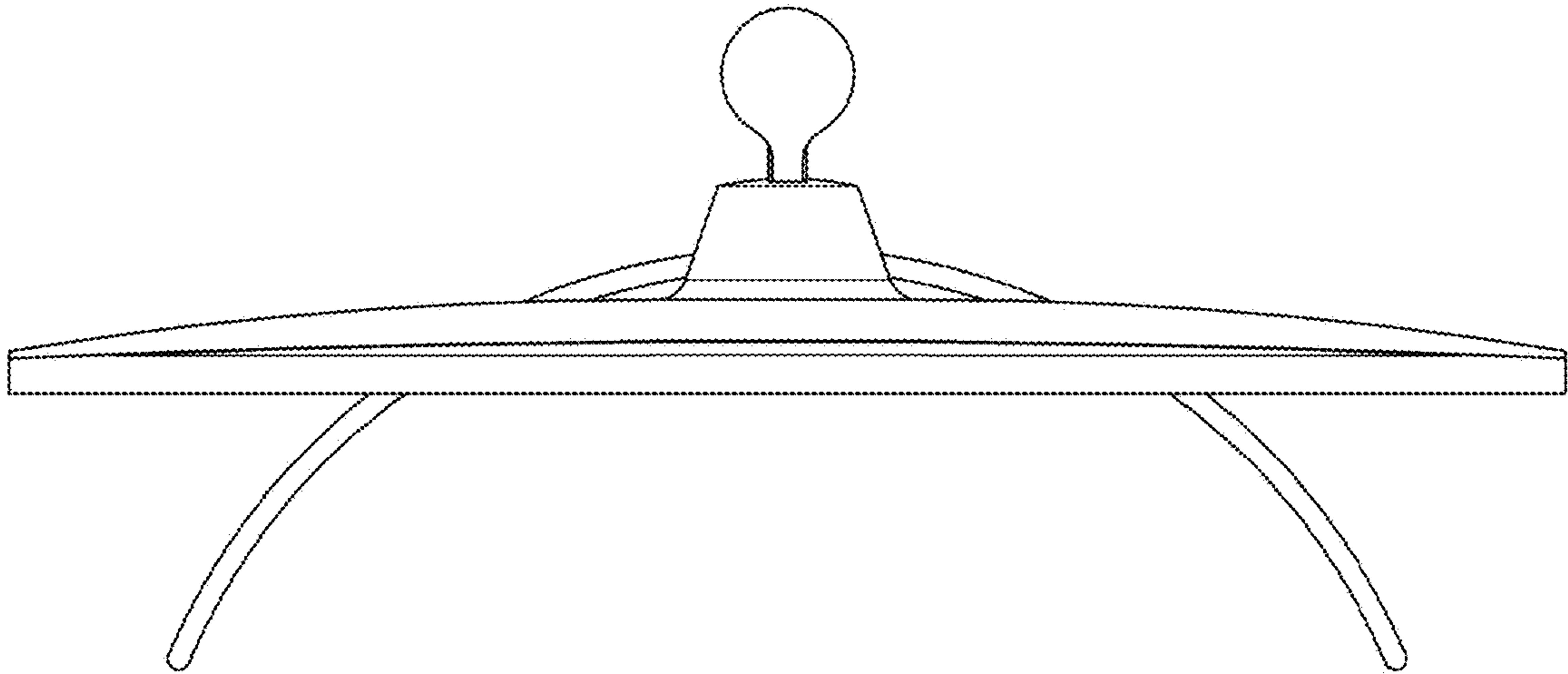
1.5



1.6



1.7



1.8

