



US00D927485S

(12) **United States Design Patent**
Wu

(10) **Patent No.:** **US D927,485 S**

(45) **Date of Patent:** **** Aug. 10, 2021**

(54) **SMARTWATCH**

(71) Applicant: **SHENZHEN DO INTELLIGENT TECHNOLOGY CO., LTD.**,
Guangdong (CN)

(72) Inventor: **Dajun Wu**, Guangdong (CN)

(73) Assignee: **SHENZHEN DO INTELLIGENT TECHNOLOGY CO., LTD.**, Shenzhen (CN)

(**) Term: **15 Years**

(21) Appl. No.: **29/716,952**

(22) Filed: **Dec. 13, 2019**

(30) **Foreign Application Priority Data**

Nov. 15, 2019 (CN) 201930631399.7

(51) **LOC (13) Cl.** **14-02**

(52) **U.S. Cl.**
USPC **D14/344**

(58) **Field of Classification Search**

USPC ... D14/126-130, 138, 138 R, 144, 300, 341,
D14/344, 358, 388, 485-495, 218;
D10/30-39, 40, 41, 46, 70, 79, 98, 106.5,
D10/106.6, 106.92, 106.94, 114.6, 123,
D10/125-128, 131; D11/1-4, 26, 40-41,
D11/93, 94, 78.1, 79, 86; D24/167-169,
D24/186-187, 164, 329; D21/324-329
CPC A41D 1/002; A41D 19/0034; G06F 1/08;
G06F 1/10; G06F 1/14; G06F 1/1626;
G06F 1/1628; G06F 1/163; G06F 1/1635;
G06F 1/3203; G06F 1/1613; G06F
2200/1633; G06F 3/0488; G06F 3/04886;
G06F 3/044; G06F 3/0412; G06F 3/0416;
G06F 1/04;

(Continued)

(56) **References Cited**

U.S. PATENT DOCUMENTS

D325,173 S * 4/1992 Gueit D10/128
D717,760 S * 11/2014 Kim D14/138 R

(Continued)

FOREIGN PATENT DOCUMENTS

CN 202030381063.2 * 7/2020

OTHER PUBLICATIONS

ID215G, idoosmart.com, [online], [site visited Feb. 9, 2021], Available from internet URL: <http://www.idoosmart.com/e/product/watchID215G?param=24bc2149a56b4b4da24251a8b0776641-2d2c4b66eaf4bc5ba783afbb5554205> (Year: 2021).*

(Continued)

Primary Examiner — Samantha Q Lawrence

Assistant Examiner — Holly M Rodriguez

(74) *Attorney, Agent, or Firm* — Schmeiser, Olsen & Watts, LLP

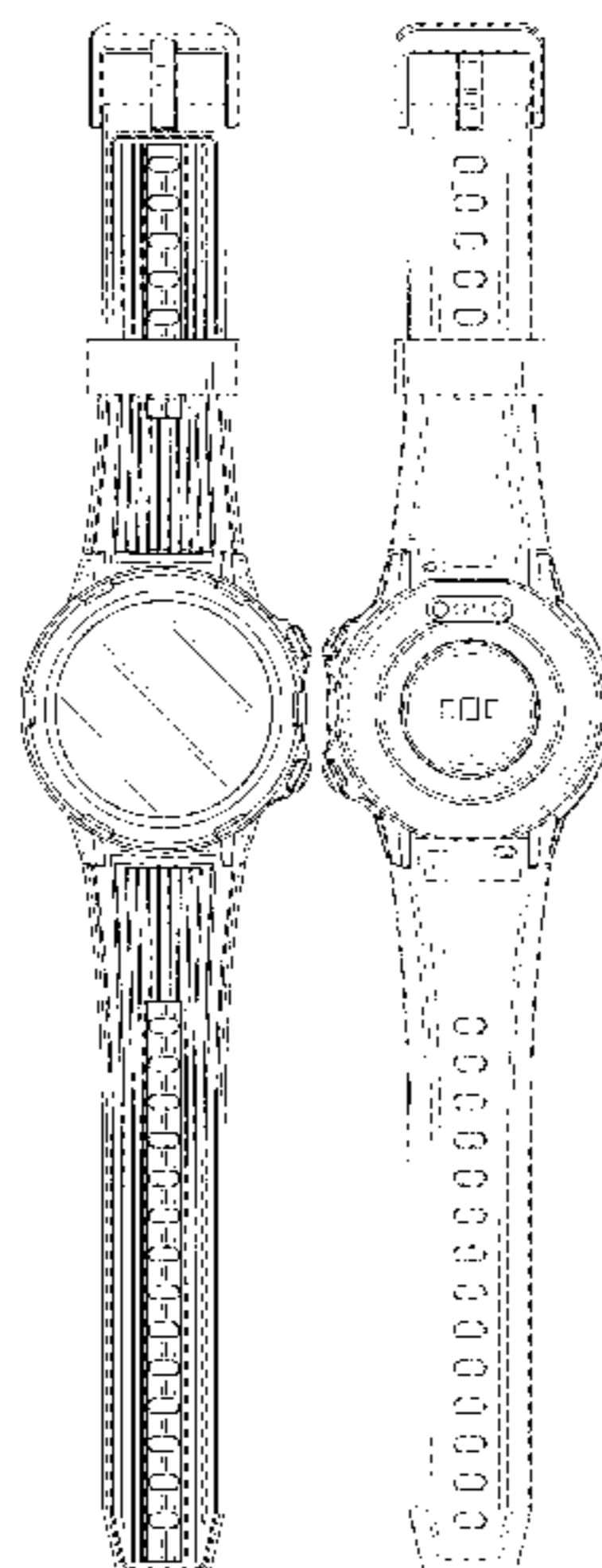
(57) **CLAIM**

The ornamental design for a smartwatch, as shown and described.

DESCRIPTION

FIG. 1 is a front elevational view of a smartwatch showing our new design;
FIG. 2 is a rear elevational view thereof;
FIG. 3 is a left side elevational view thereof;
FIG. 4 is a right side elevational view thereof;
FIG. 5 is a top plan view thereof;
FIG. 6 is a bottom plan view thereof;
FIG. 7 is a front, left and bottom side perspective view thereof;
FIG. 8 is a rear, right and top side perspective view thereof;
and,
FIG. 9 is a front, right and bottom side perspective thereof.
The broken lines in FIG. 2 form no part of the claimed design.

1 Claim, 9 Drawing Sheets



(58) **Field of Classification Search**

CPC G06Q 20/10; G06Q 20/12; G06Q 20/108;
 G06Q 20/145; H04B 1/3833; H04B
 1/385; H04B 1/3888; H04M 1/02; H04M
 1/03; H04M 1/04; H04M 1/05; H04M
 1/667; H04M 1/6058; Y02B 60/1217

See application file for complete search history.

D836,465 S * 12/2018 Register D10/30
 D857,010 S * 8/2019 Choi D14/344
 10,474,194 B1 * 11/2019 Ell G06F 1/1656
 D890,750 S * 7/2020 Reivo D14/344
 D900,645 S * 11/2020 Henne D10/38
 2019/0094816 A1 * 3/2019 Seong G04G 17/08
 2019/0379122 A1 * 12/2019 Kenkel H01Q 7/00

(56)

References Cited

U.S. PATENT DOCUMENTS

D731,455 S * 6/2015 Park D14/138 R
 D752,583 S * 3/2016 Solomon D14/344
 D805,406 S * 12/2017 Register D10/30
 D806,581 S * 1/2018 Register D10/30
 D808,386 S * 1/2018 Matsuda D14/344
 D815,090 S * 4/2018 Chan D14/344
 D821,231 S * 6/2018 Pan D10/70
 D827,831 S * 9/2018 Fong D24/167
 D836,464 S * 12/2018 Liu D10/30

OTHER PUBLICATIONS

Letsfit Smart Watch, first available Dec. 23, 2019, amazon.com, [online], [site visited Feb. 9, 2021], Available from internet URL: <https://www.amazon.com/Letsfit-Saturation-Waterproof-Smartwatch-Compatible/dp/B0831K28CD> (Year: 2019).*

M5 Smart Watch, first available Aug. 10, 2020, aliexpress.com, [online], [site visited Feb. 4, 2021], Available from internet URL: https://www.aliexpress.com/item/4000589708855.html?spm=a2g0o.productlist.0.0.4da77309YlnG2K&algo_pvid=c7242cf6-026a-414e-8a86-5ef82f67%E2%80%A6 (Year: 2020).*

* cited by examiner

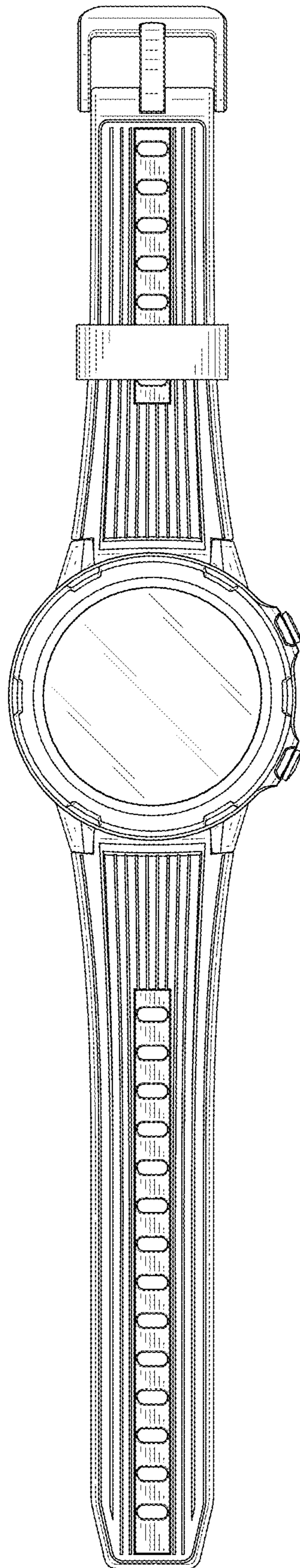


FIG. 1

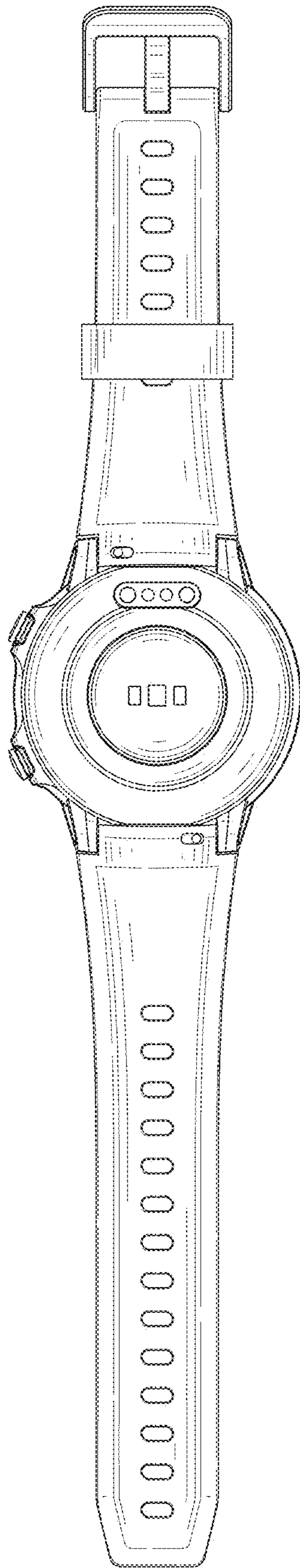


FIG. 2

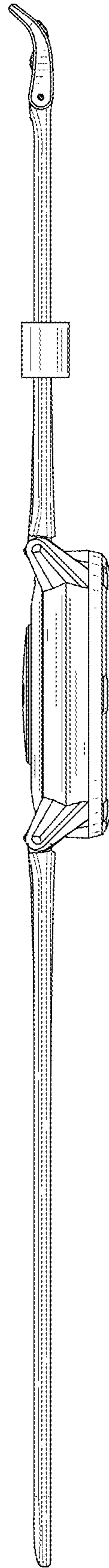


FIG. 3

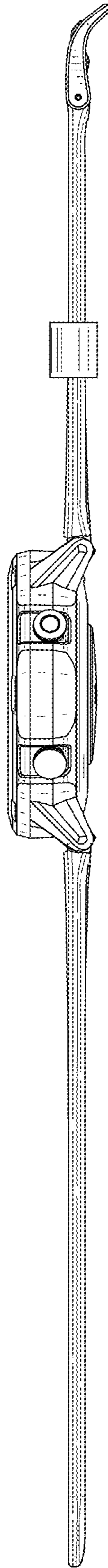


FIG. 4

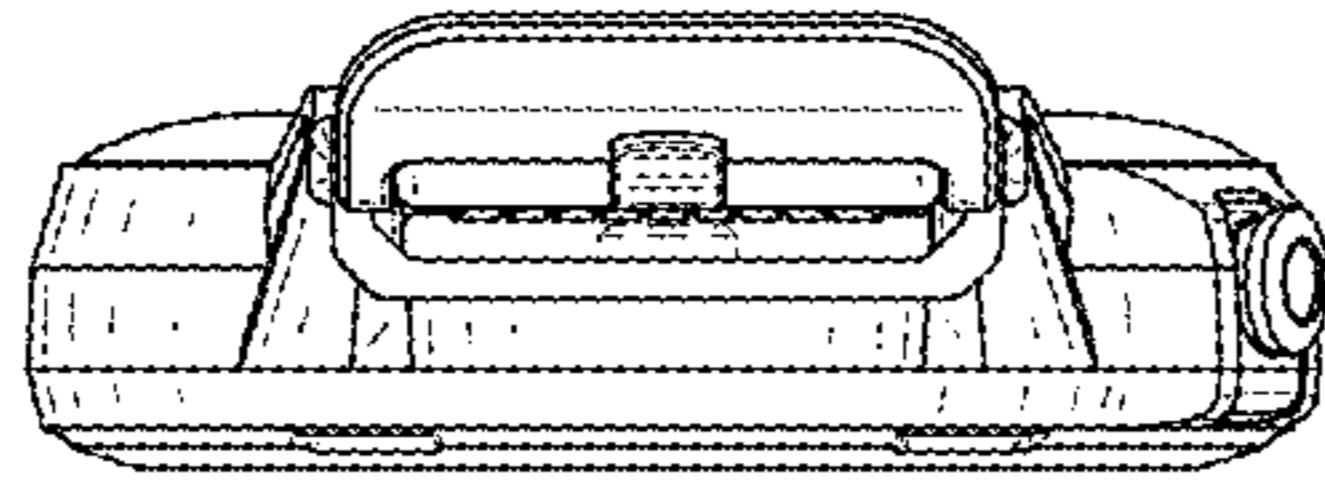


FIG. 5

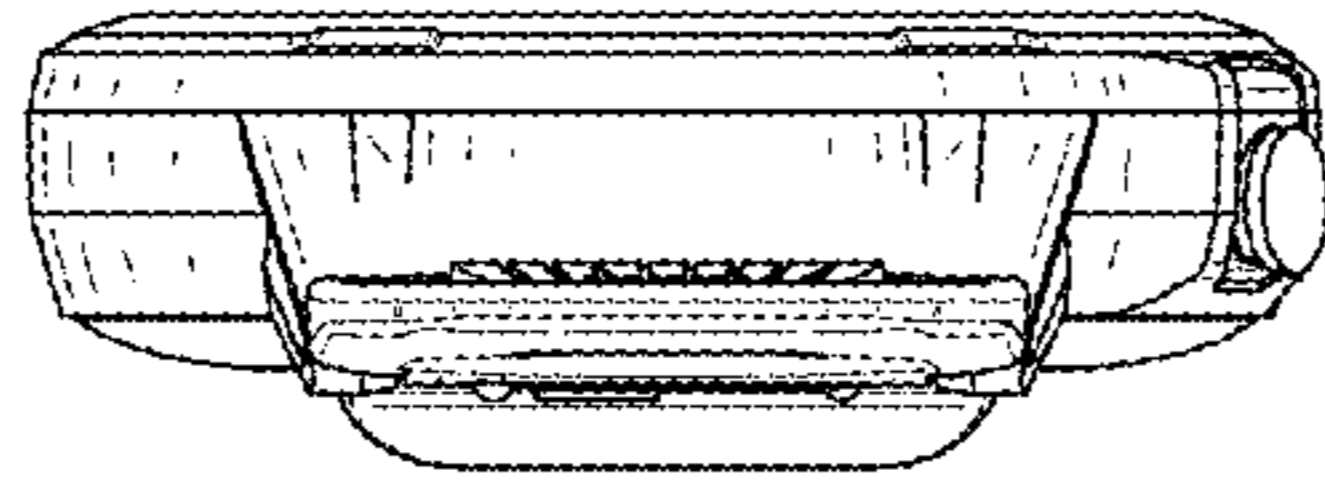


FIG. 6

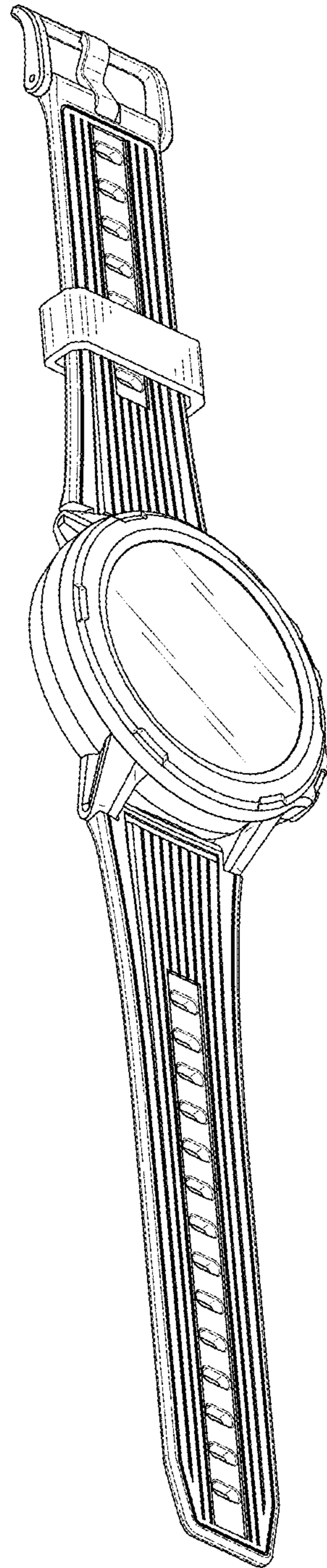


FIG. 7

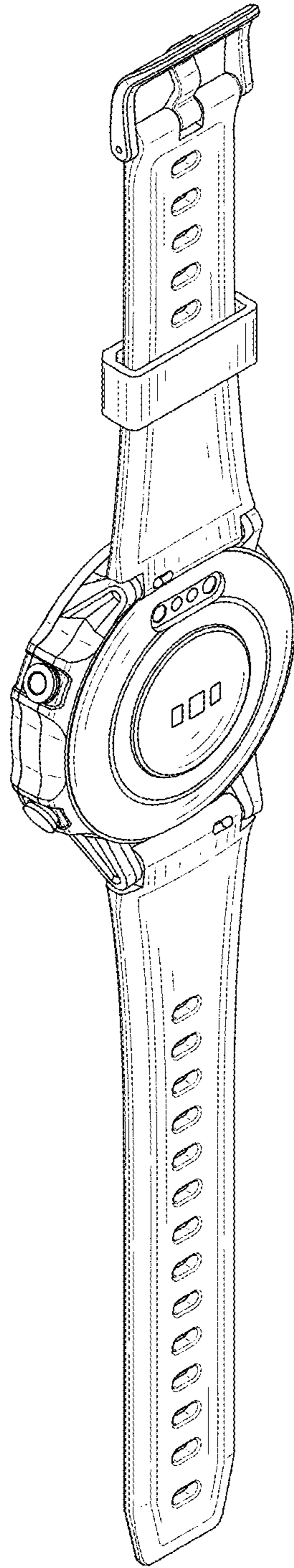


FIG. 8

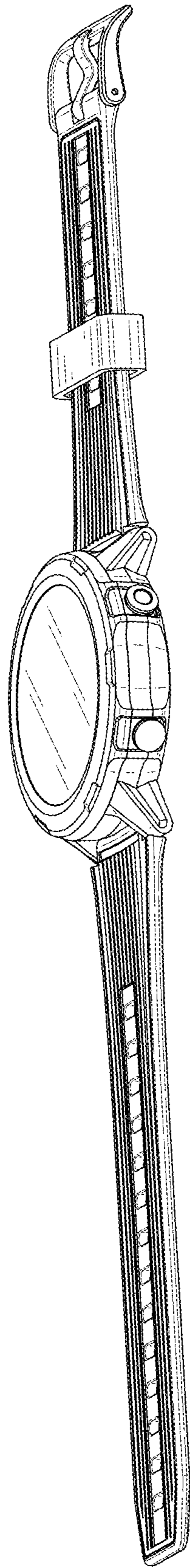


FIG. 9