



US00D927481S

(12) **United States Design Patent**
Lin et al.

(10) **Patent No.:** **US D927,481 S**

(45) **Date of Patent:** **** Aug. 10, 2021**

(54) **COMPUTER CASING**

(71) Applicant: **FSP TECHNOLOGY INC.**, Taoyuan (TW)

(72) Inventors: **Mei-Ling Lin**, Taoyuan (TW); **Li Kuan**, Taoyuan (TW)

(73) Assignee: **FSP TECHNOLOGY INC.**, Taoyuan (TW)

(**) Term: **15 Years**

(21) Appl. No.: **29/713,751**

(22) Filed: **Nov. 19, 2019**

(30) **Foreign Application Priority Data**

Sep. 9, 2019 (TW) 108305451

(51) **LOC (13) Cl.** **14-02**

(52) **U.S. Cl.**
USPC **D14/314**; D13/184

(58) **Field of Classification Search**
USPC D14/300–304, 308–314, 328, 348–370, D14/388, 432, 435, 439–446, 450, D14/479–483, 140.1–140.4, 164, 193, D14/500–502, 257–258, 265; D13/184
CPC G06F 1/16; G06F 1/1628; G06F 1/181; H05K 7/00; H05K 7/18; H05K 7/14; H05K 5/00; H05K 5/0004; H05K 5/0008; H05K 5/0021; H05K 5/0213; H05K 5/012; H05K 5/0234; H05K 5/0243
See application file for complete search history.

(56) **References Cited**

U.S. PATENT DOCUMENTS

5,218,474 A * 6/1993 Kirschner G06F 1/1603 348/842
D358,370 S * 5/1995 Guppy D13/152
D373,771 S * 9/1996 Messelhi D13/184
D442,923 S * 5/2001 Raspotnig D13/184

D444,783 S * 7/2001 Lord D14/351
D502,178 S * 2/2005 Lee D14/349
D502,704 S * 3/2005 Cervantes D14/349
D614,619 S * 4/2010 Haase D14/349
D614,620 S * 4/2010 Haase D14/349
D794,015 S * 8/2017 Probst D14/349

(Continued)

FOREIGN PATENT DOCUMENTS

CN 305326836 S 8/2019

OTHER PUBLICATIONS

FSP Gaming/Streaming Case, posted at Amazon, posting date Feb. 18, 2020. Site visited Jun. 11, 2021. URL: <<https://www.amazon.com/gp/product/B084Y83RWG>> (Year: 2020).*

(Continued)

Primary Examiner — Kathleen L Jones

(74) *Attorney, Agent, or Firm* — Winston Hsu

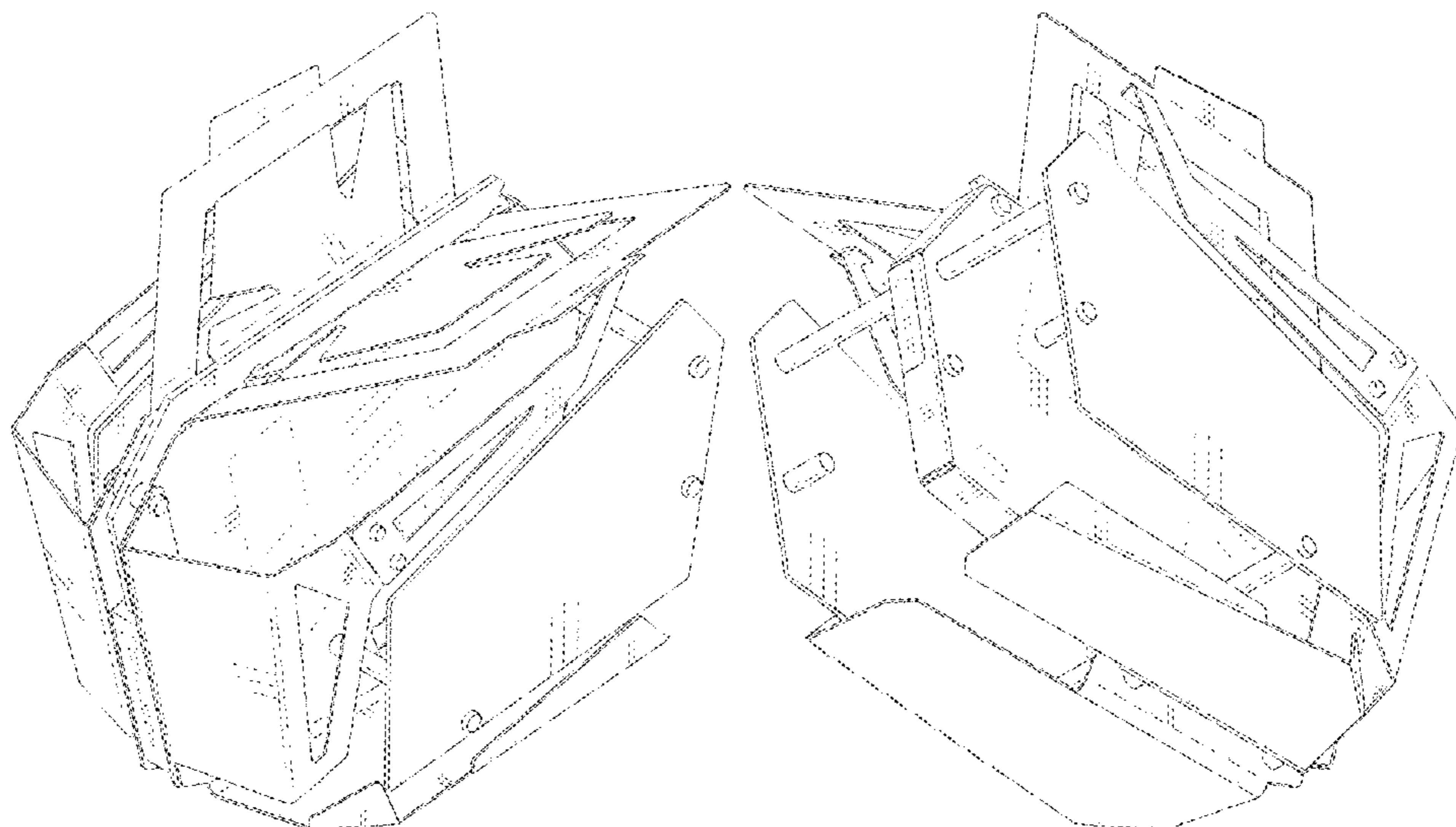
(57) **CLAIM**

The ornamental design for a computer casing, as shown and described.

DESCRIPTION

FIG. 1 is a top, front, and right side perspective view of a computer casing showing our new design.
FIG. 2 is a bottom, rear, and left side perspective view thereof;
FIG. 3 is a bottom, rear, and right side perspective view thereof;
FIG. 4 is a front elevation view thereof;
FIG. 5 is a rear elevation view thereof;
FIG. 6 is a left side elevation view thereof;
FIG. 7 is a right side elevation view thereof;
FIG. 8 is a top plan view thereof; and,
FIG. 9 is a bottom plan view thereof.
The broken lines depict portions of the computer casing that form no part of the claimed design.

1 Claim, 9 Drawing Sheets



(56)

References Cited

U.S. PATENT DOCUMENTS

D803,824 S * 11/2017 Zhou D14/314
D888,046 S * 6/2020 Lu D14/301
D892,776 S * 8/2020 Ramones D14/240
D902,191 S * 11/2020 Zou D14/240
D902,204 S * 11/2020 Li D14/358
D905,690 S * 12/2020 Li D14/358
D912,656 S * 3/2021 Hwang D14/314
D914,015 S * 3/2021 Ootori D14/353
D914,017 S * 3/2021 Li D14/358
D914,665 S * 3/2021 Mimlitch, III D14/300
2021/0068269 A1 * 3/2021 Wardlow H05K 5/0017

OTHER PUBLICATIONS

Antec Torque Black/Red Aluminum ATX Mid Tower Computer Case, posted at Amazon, posting date Dec. 17, 2018. Site visited Jun. 11, 2021. URL: <<https://www.amazon.com/Antec-Black-Aluminum-Computer-Torque/dp/B07HG9KZVX>> (Year: 2018).*

Cougar PC Case, posted at Amazon, posting date Oct. 26, 2017. Site visited Jun. 11, 2021. URL: <<https://www.amazon.com/COUGAR-385LMR0-0001-Cougar-Case-385lmr0-0001/dp/B074VMPZFR>> (Year: 2017).*

* cited by examiner

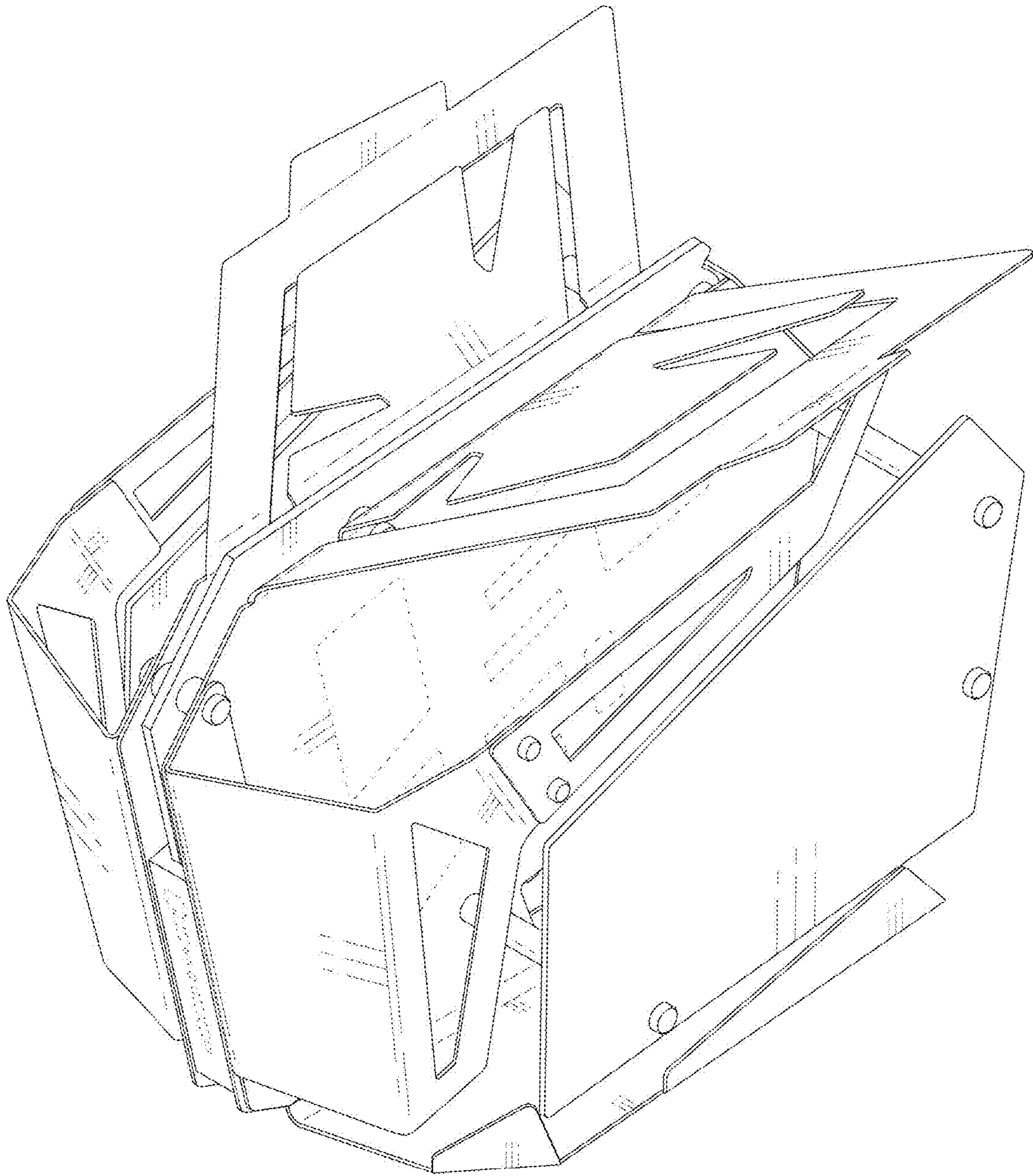


FIG. 1

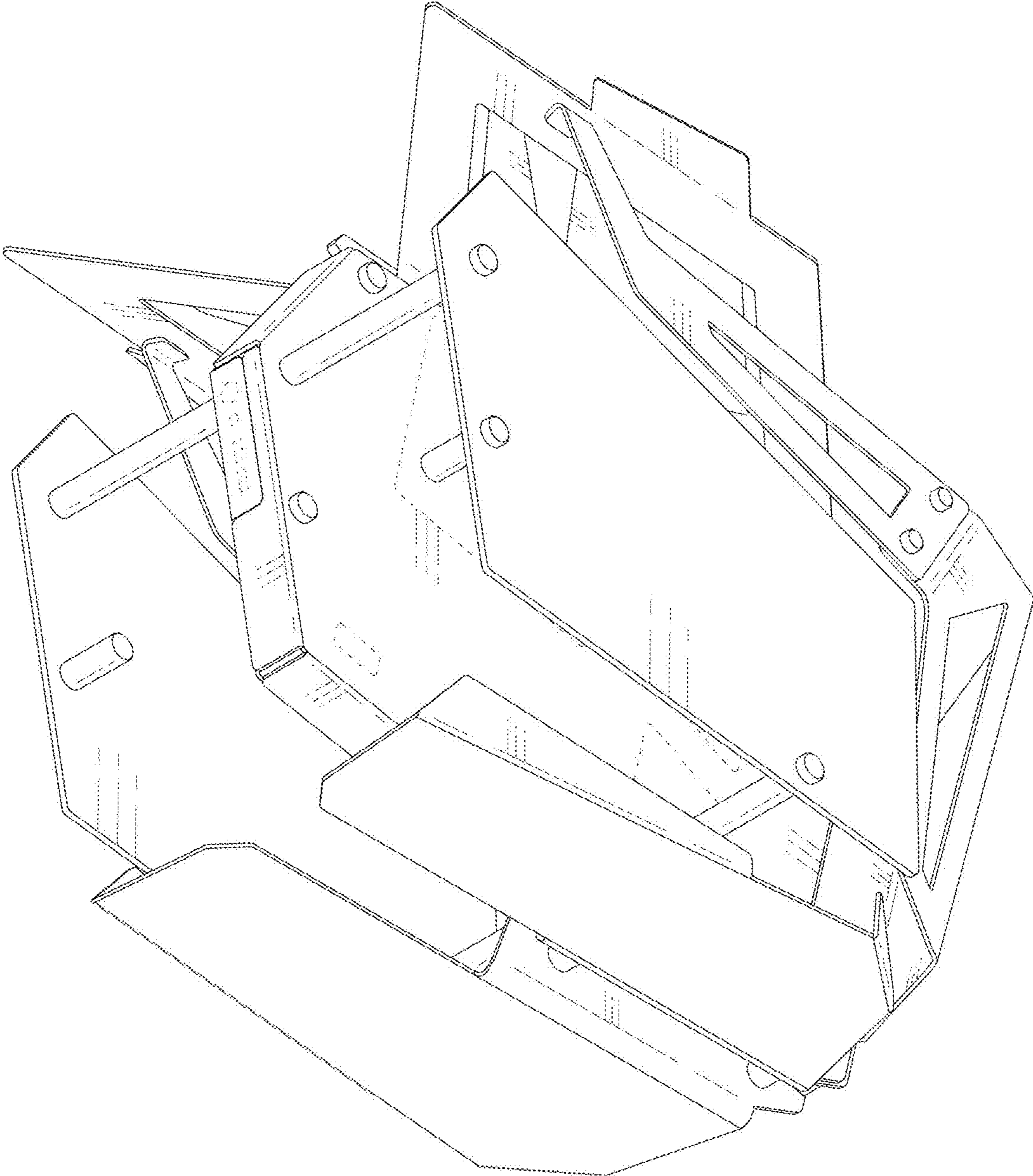


FIG. 2

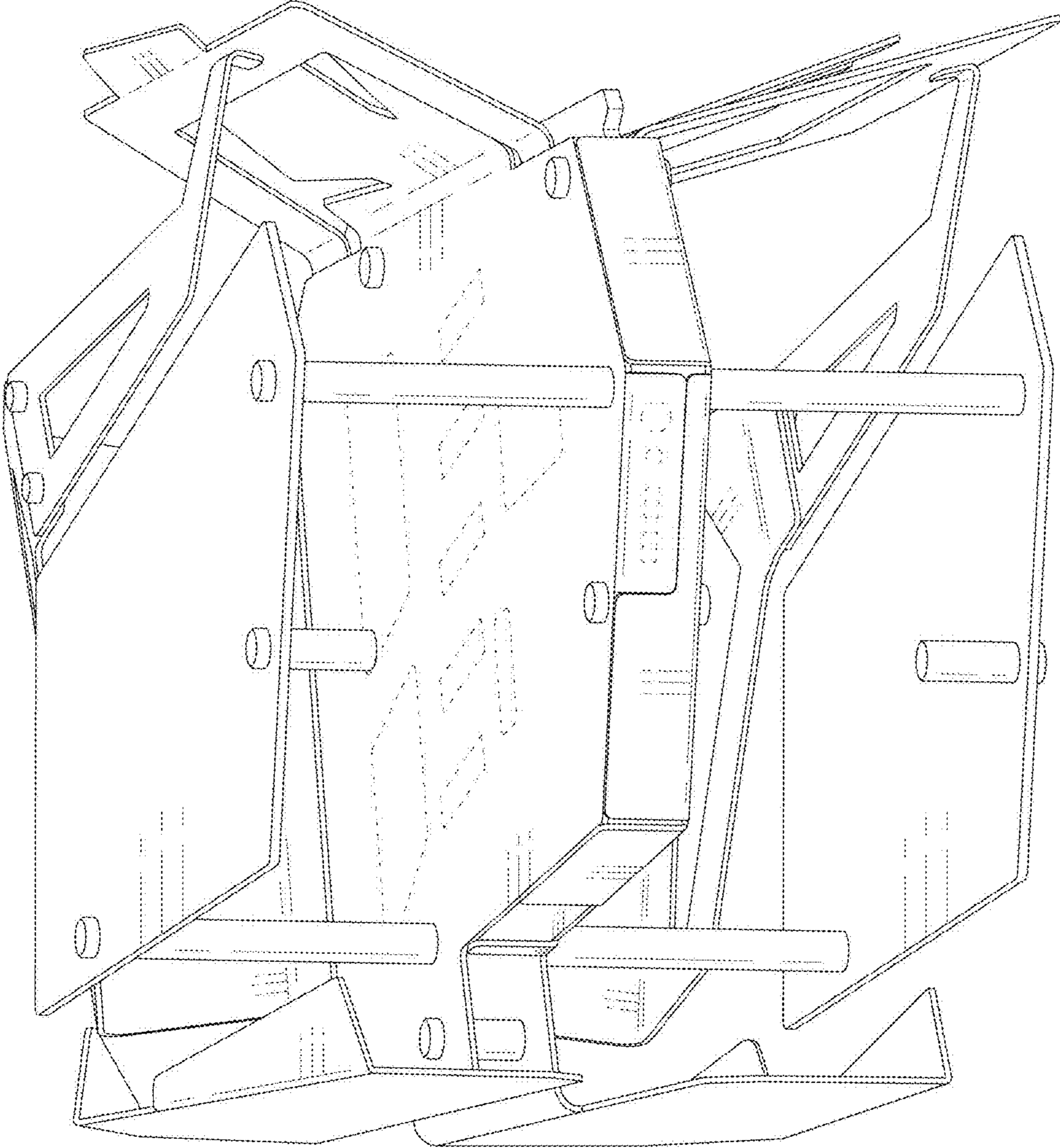


FIG. 3

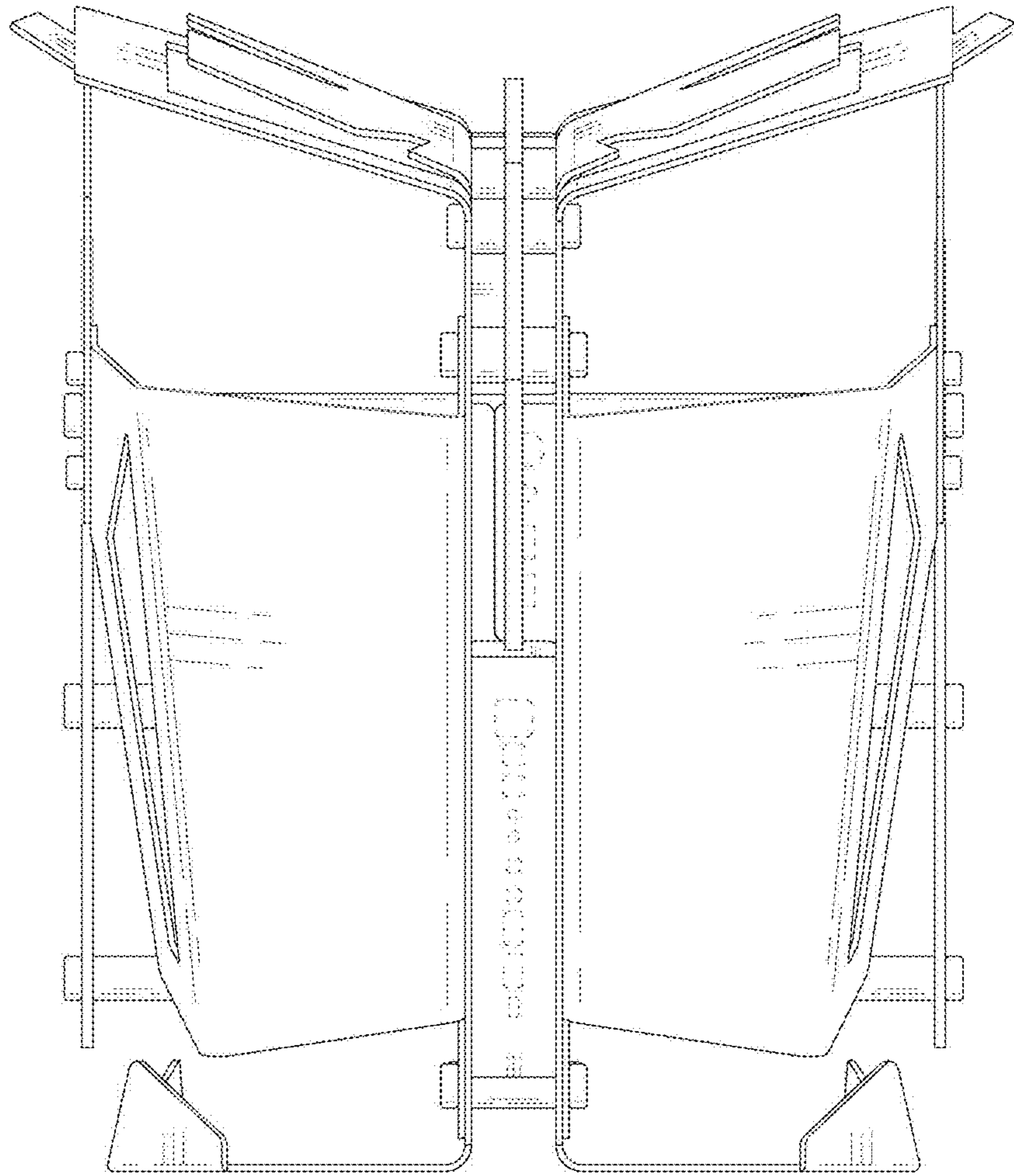


FIG. 4

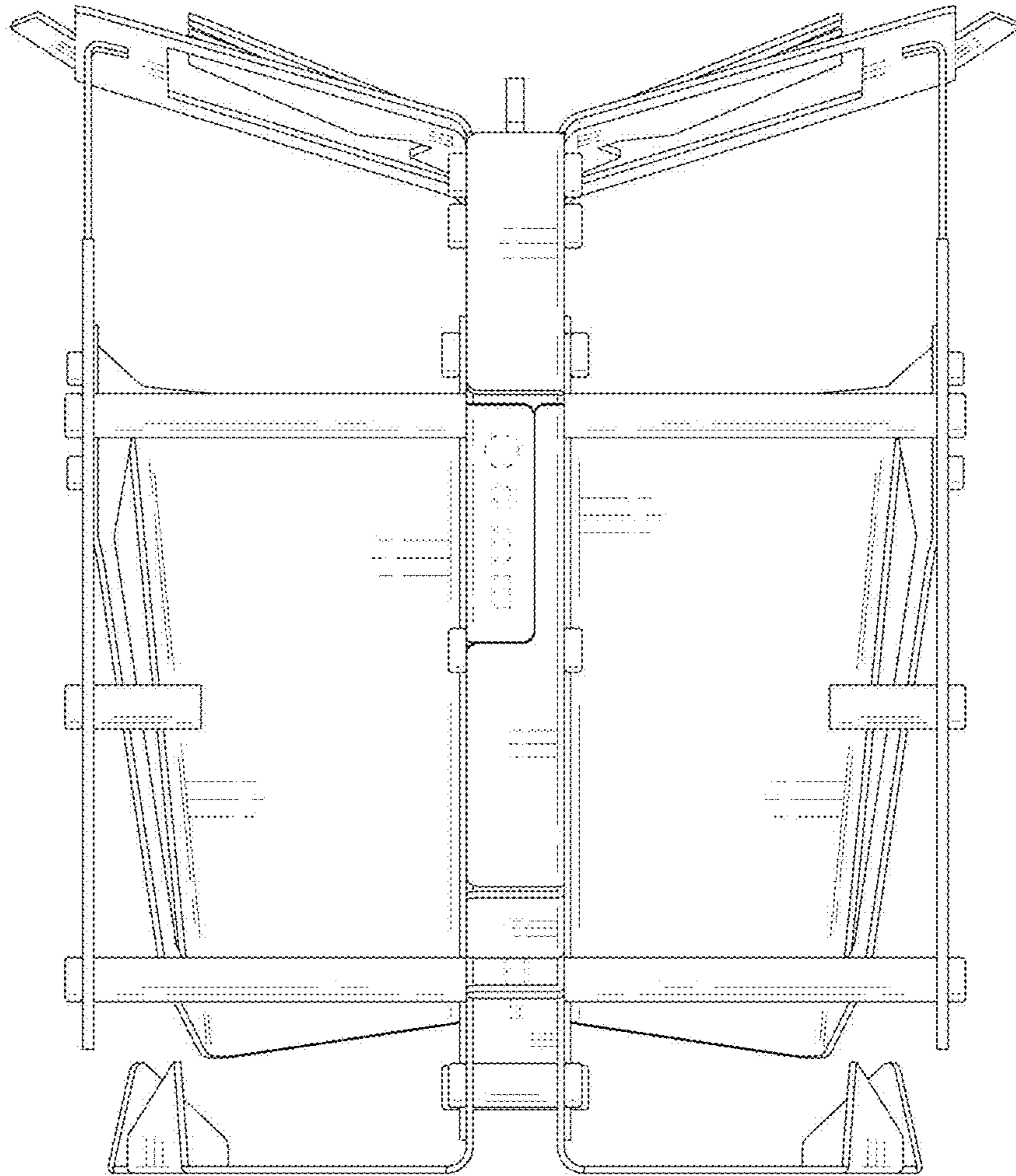


FIG. 5

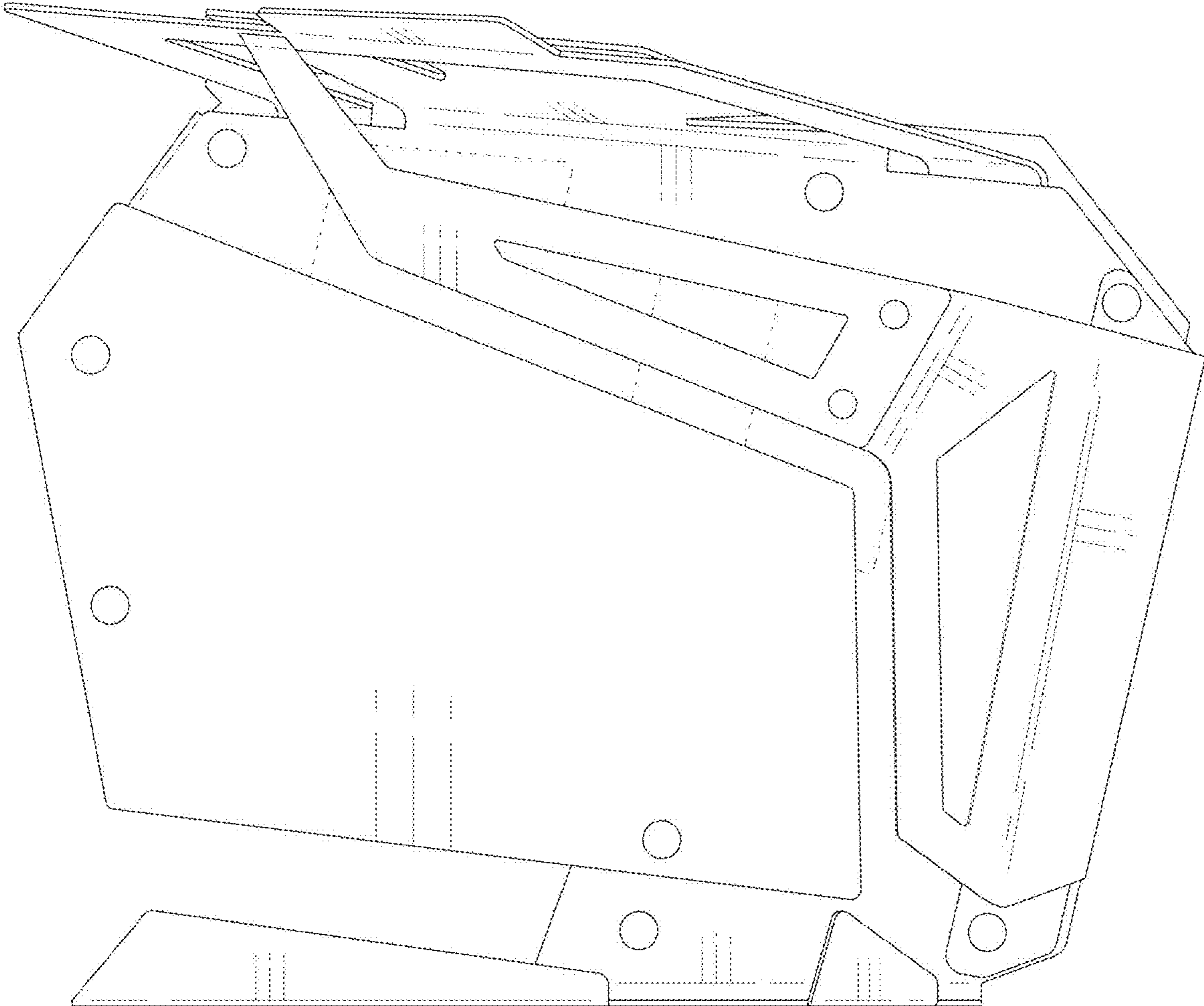


FIG. 6

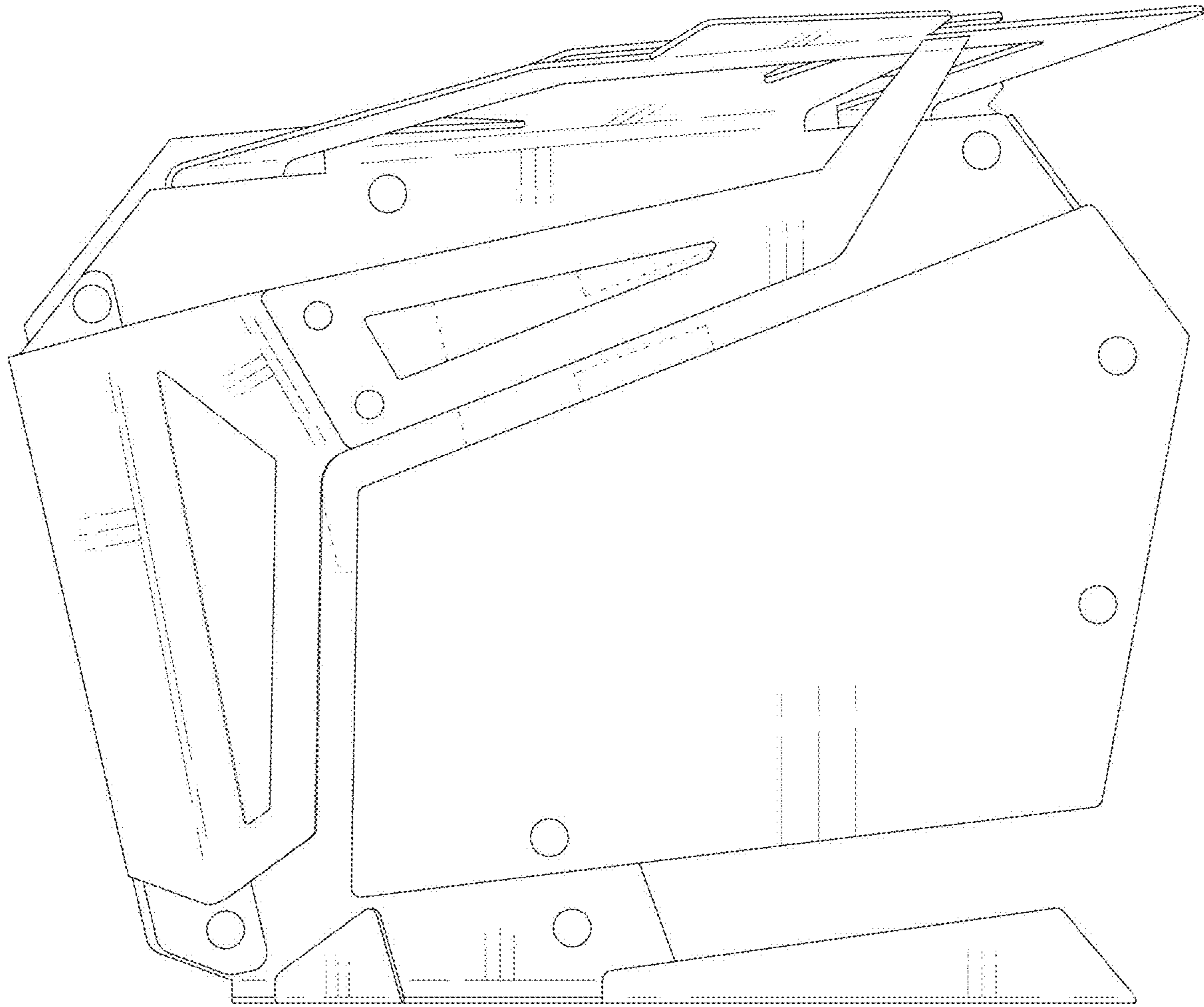


FIG. 7

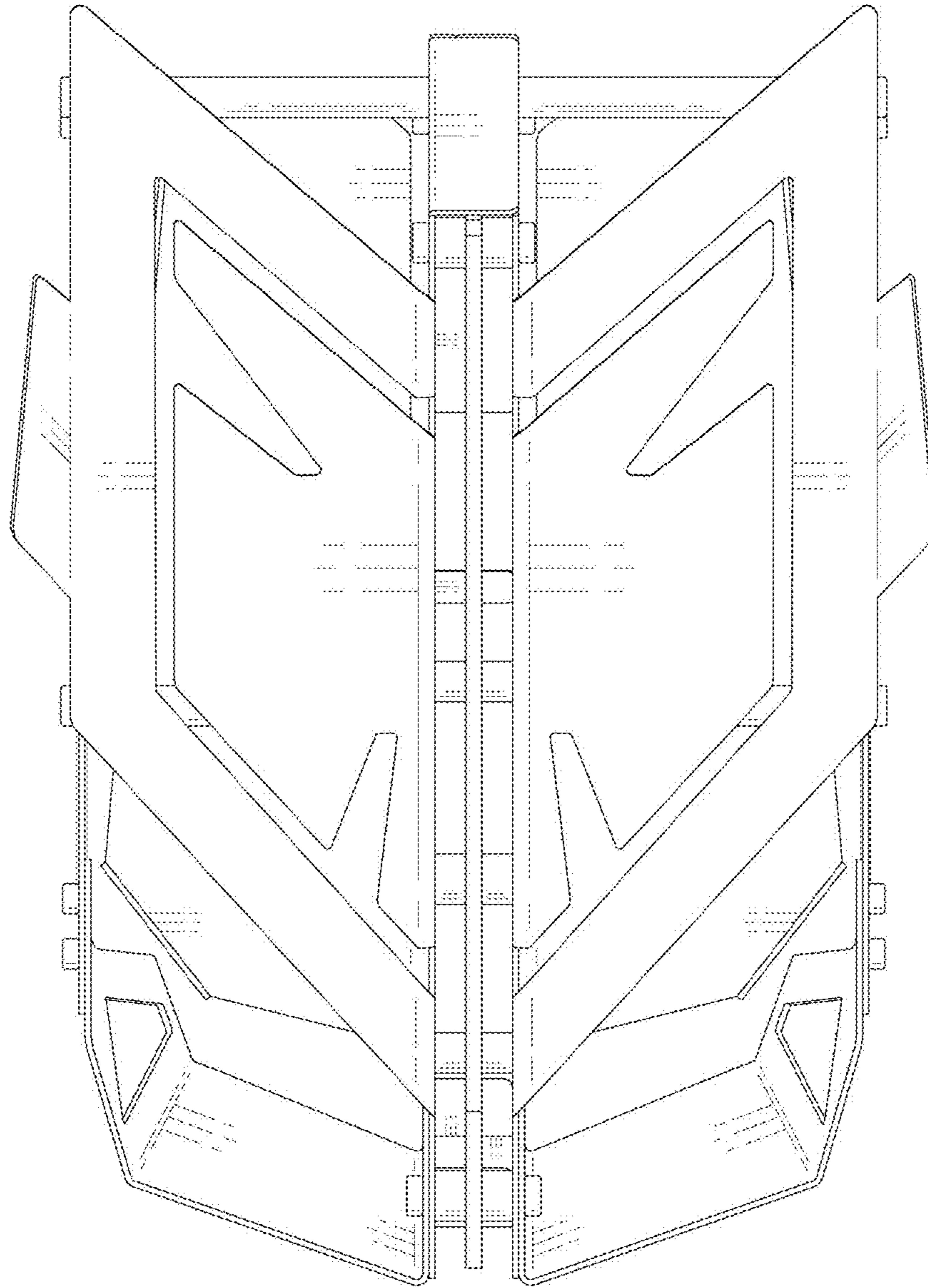


FIG. 8

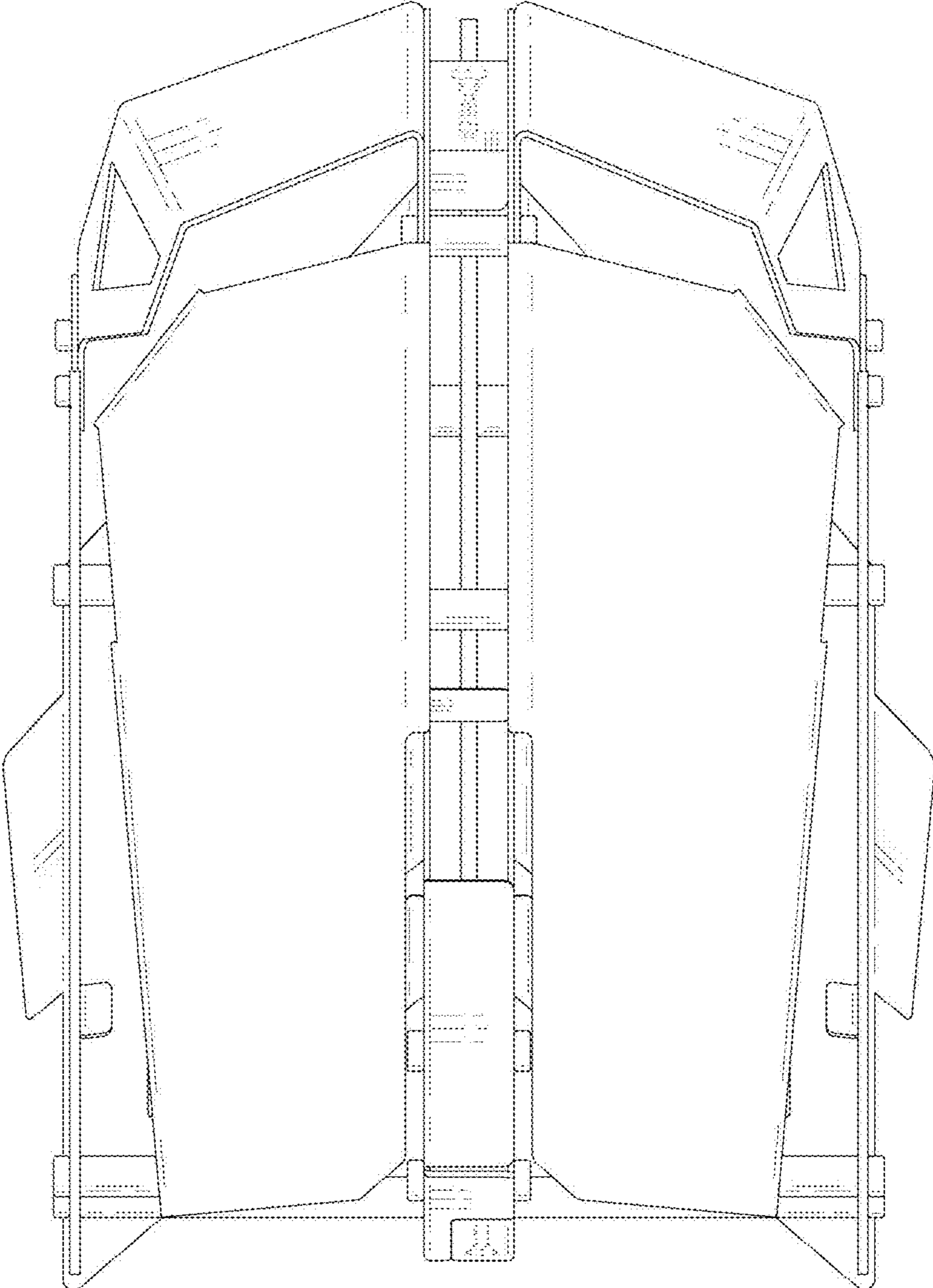


FIG. 9