



US00D927480S

(12) **United States Design Patent**
Wang et al.

(10) **Patent No.:** **US D927,480 S**
(45) **Date of Patent:** **** Aug. 10, 2021**

(54) **MOBILE PHONE SUPPORT**

(71) Applicant: **Aukey Technology Co., Ltd**, Shenzhen (CN)

(72) Inventors: **Zhihua Wang**, Shenzhen (CN);
Haizhuan Lu, Shenzhen (CN)

(73) Assignee: **Aukey Technology Co., Ltd**, Shenzhen (CN)

(**) Term: **15 Years**

(21) Appl. No.: **29/717,128**

(22) Filed: **Dec. 16, 2019**

(51) **LOC (13) Cl.** **14-03**

(52) **U.S. Cl.**
USPC **D14/253**

(58) **Field of Classification Search**

USPC D14/251–253, 447, 452, 432–434, 440, D14/439, 254, 217, 224, 224.1, 238.1, D14/299, 451, 483, 250, 458; D12/415–426, 426.1, 114, 223; D3/218, D3/215, 201, 207, 208, 212, 247, 232; D16/242, 245, 208, 206, 218, 219, 243, D16/237; D8/349, 363, 306, 307, 352, D8/401, 373; D2/624, 625, 627, 635, D2/632, 999; D7/620, 619.1, 602, 701; D6/553, 512; D13/108

CPC ... A45C 11/00; A45F 5/00; A45F 5/10; A45F 5/02; A45F 2200/0516; A45F 2200/0525; A45F 2200/0533; A45F 2200/0508; A45F 2005/008; A47G 23/0216; B60R 11/00; B60R 11/02; B60R 11/0241; B60R 11/0252; B60R 2011/0005; B60R 2011/0008; F16B 2/06; F16B 47/006; F16M 11/00; F16M 11/04; F16M 11/06; F16M 11/2021; F16M 11/38; F16M 11/046; F16M 11/08; F16M 11/16; F16M 11/041; F16M 11/2014; F16M 11/12; F16M 11/10; F16M 11/18; F16M 11/205; F16M 11/2035; F16M 11/2007; F16M 11/14; F16M 13/00; F16C 11/045; G03B

17/561; G03B 17/563; H04M 1/02; H04M 1/04; H04M 1/11; H04M 1/15; H04M 1/026; H04M 1/0266; H04M 1/0281; H04M 1/0202; H04M 1/6041; H04B 1/3877; H04B 1/3888; H04B 1/385; H01F 7/0252; H05K 5/0204; H04R 1/1033; E05D 3/02

See application file for complete search history.

(56) **References Cited**

U.S. PATENT DOCUMENTS

D705,211 S * 5/2014 Huang D14/253
D849,012 S * 5/2019 Yao D14/447

(Continued)

Primary Examiner — Ramzi Almatrahi

Assistant Examiner — Charles Cunningham

(74) *Attorney, Agent, or Firm* — Westbridge IP LLC

(57) **CLAIM**

The ornamental design for a mobile phone support, as shown and described.

DESCRIPTION

FIG. 1 is a front elevation view of a mobile phone support showing our new design;

FIG. 2 is a rear elevation view thereof;

FIG. 3 is a left side elevation view thereof;

FIG. 4 is a right side elevation view thereof;

FIG. 5 is a top plan view thereof;

FIG. 6 is a bottom plan view thereof;

FIG. 7 is a front, right, and top perspective view thereof;

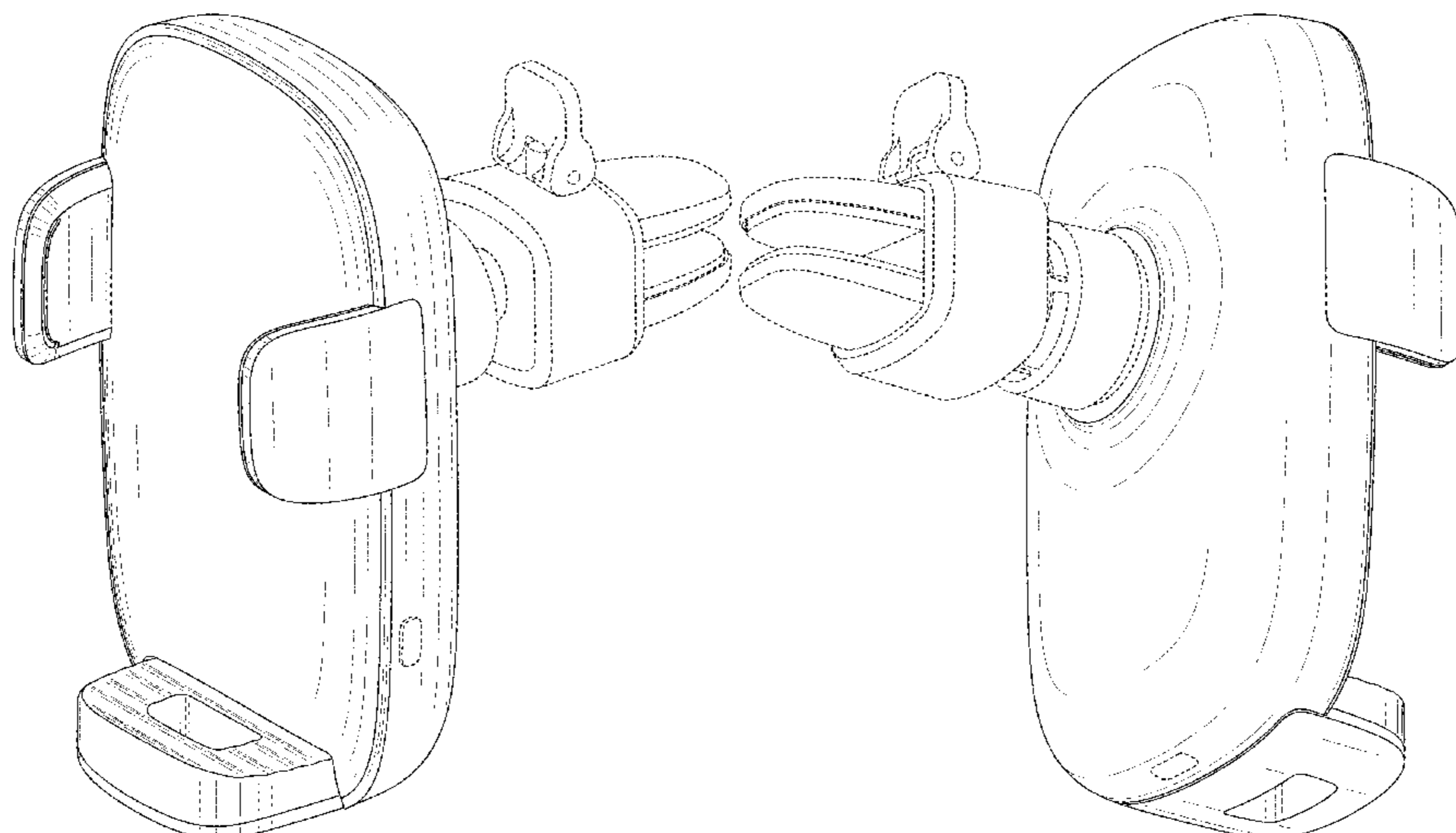
FIG. 8 is a rear, left, and bottom perspective view thereof;

and,

FIG. 9 is a front, right, and top perspective view thereof, shown with the mobile phone support in condition of use.

The broken lines depict portions of the mobile phone support in which the design is embodied that form no part of the claimed design.

1 Claim, 9 Drawing Sheets



(56)

References Cited

U.S. PATENT DOCUMENTS

D858,509 S *	9/2019	Yao	D14/253
D859,393 S *	9/2019	Dang	D14/253
D861,670 S *	10/2019	Li	D14/253
D872,014 S *	1/2020	Zhang	D13/108
D877,066 S *	3/2020	Zhang	D13/108
D879,766 S *	3/2020	Fan	D14/253
D894,829 S *	9/2020	Zhang	D13/108
D895,601 S *	9/2020	Liao	D14/253
D895,602 S *	9/2020	Cheng	D14/253
D896,177 S *	9/2020	Zheng	D13/108
2019/0283685 A1 *	9/2019	Zhang	F16M 11/04

* cited by examiner

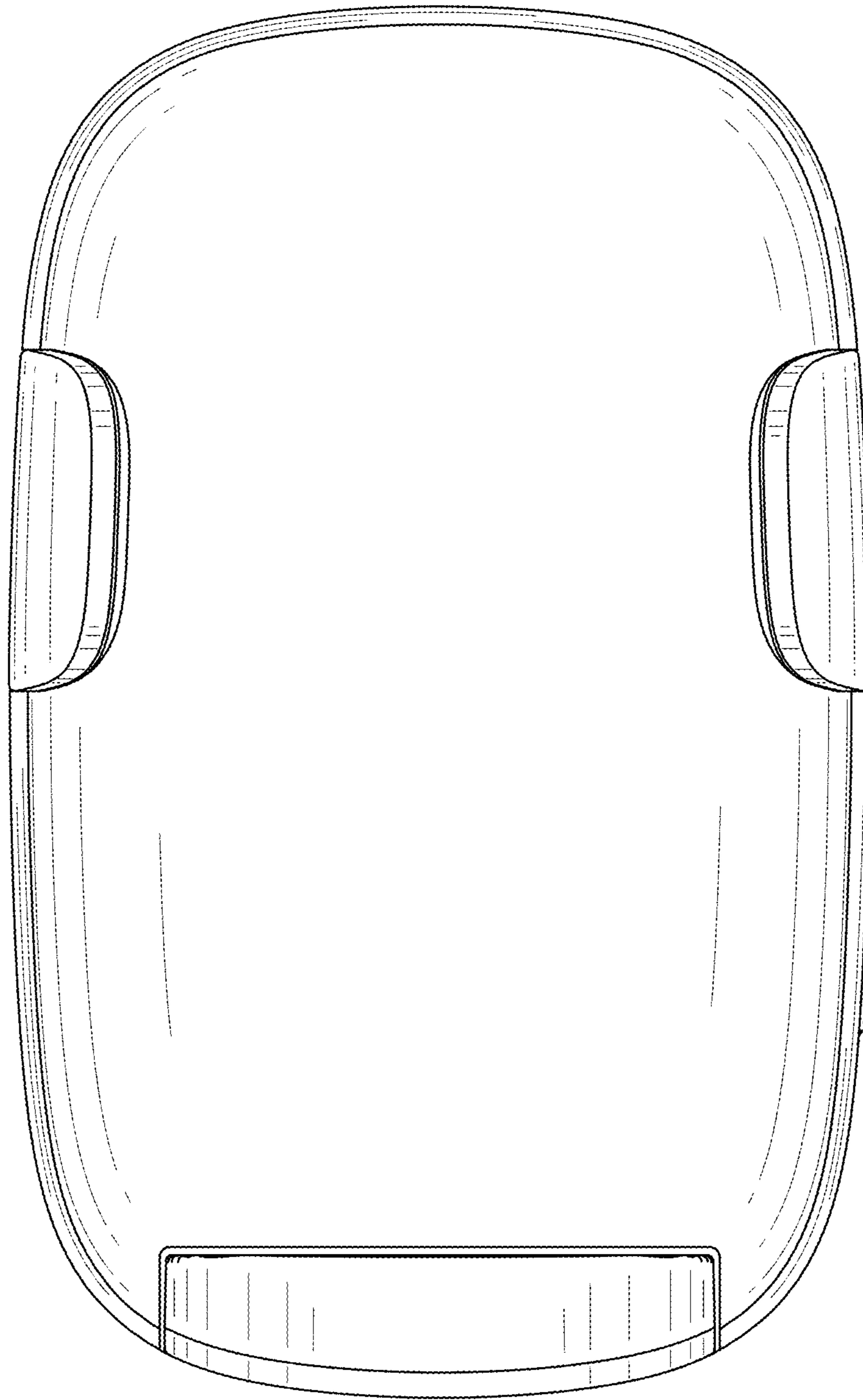


FIG. 1

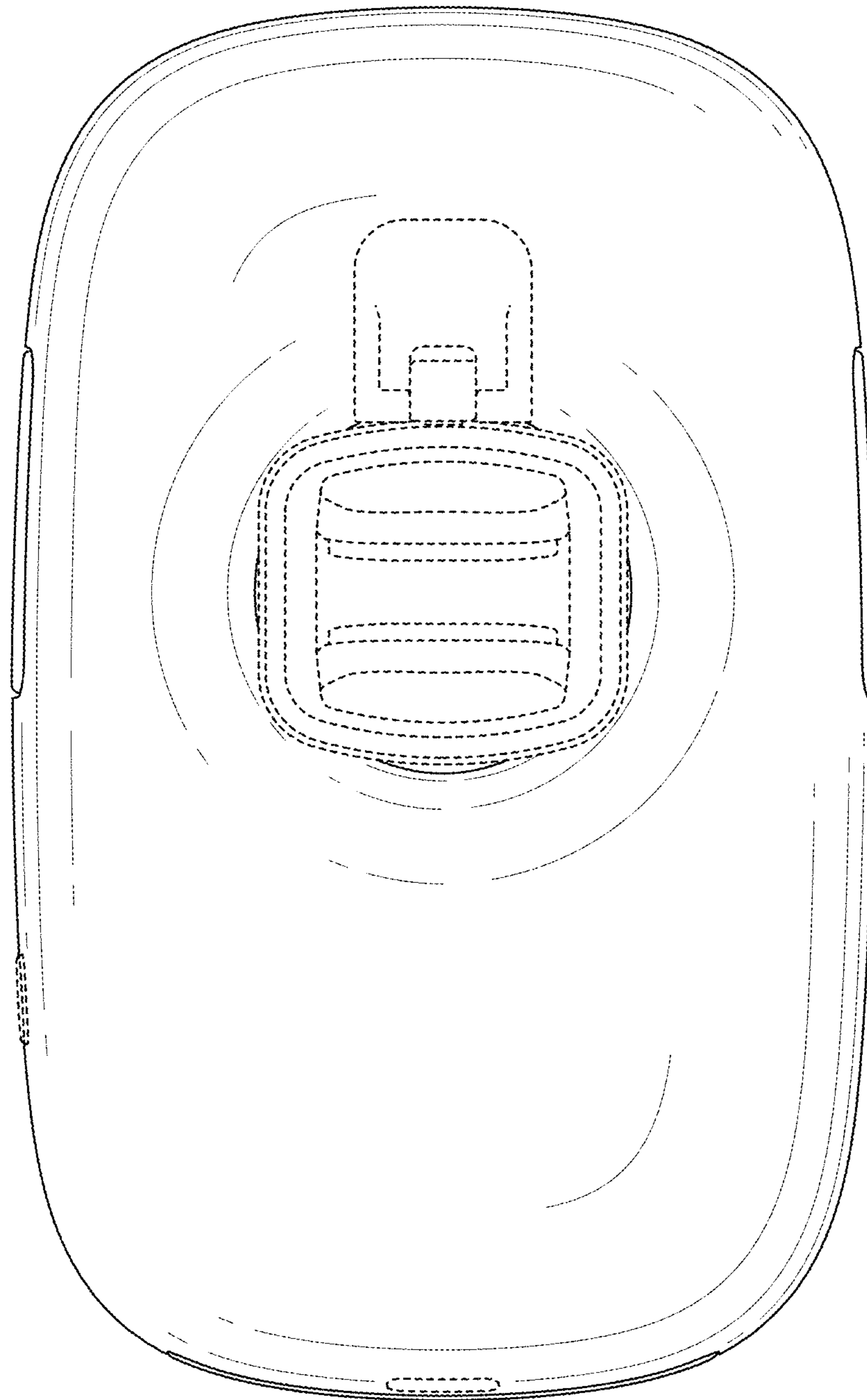


FIG. 2

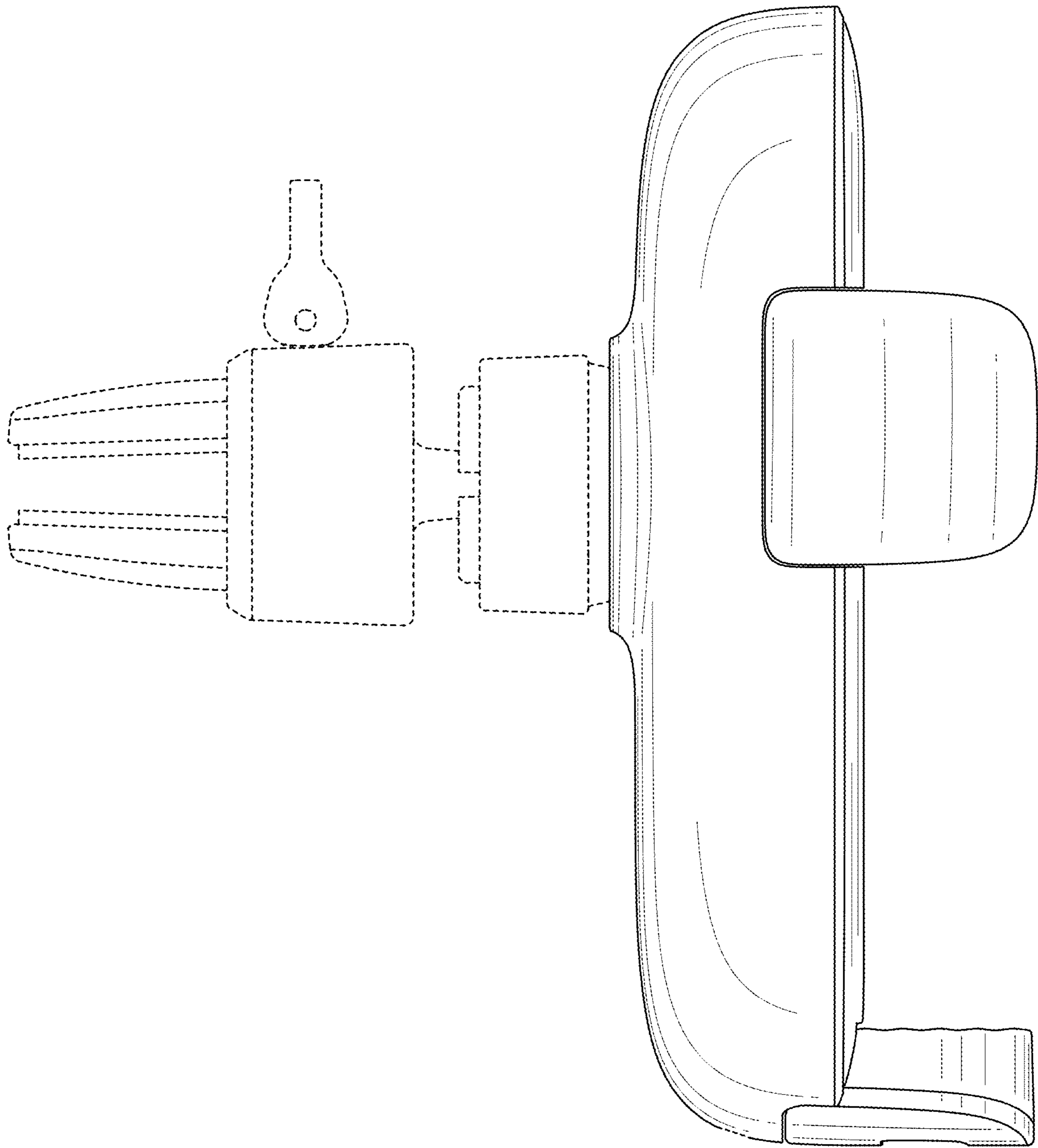


FIG. 3

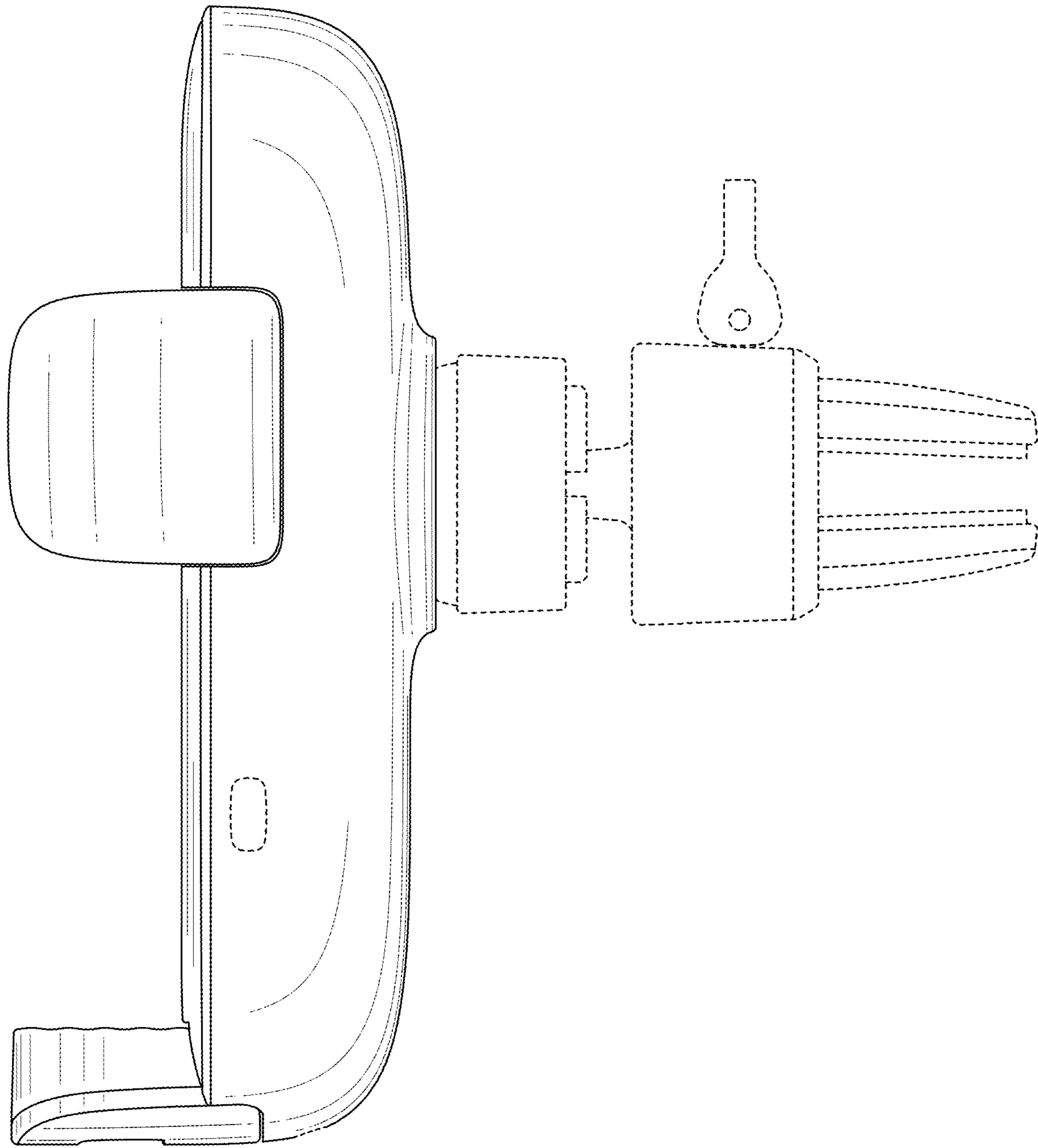


FIG. 4

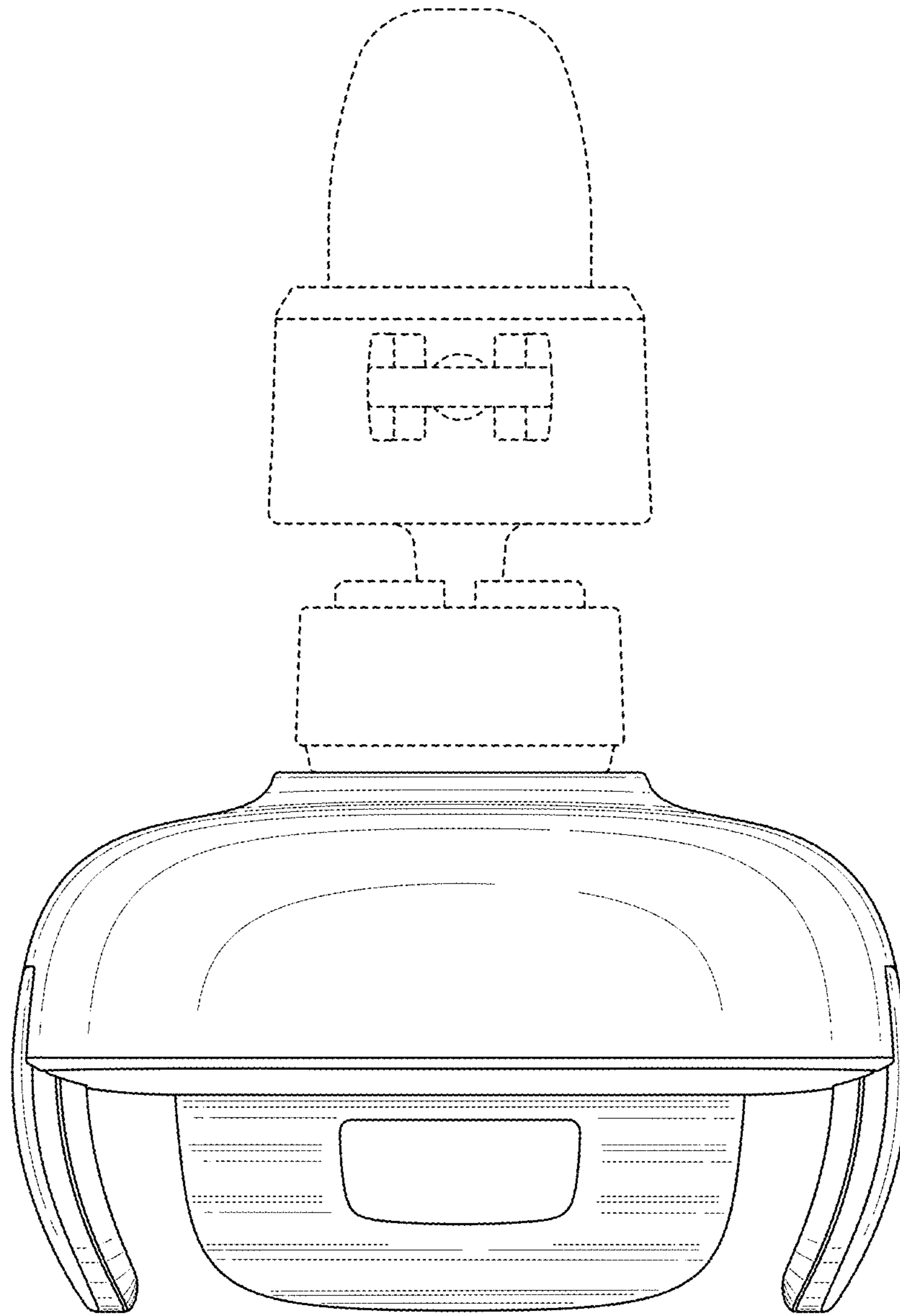


FIG. 5

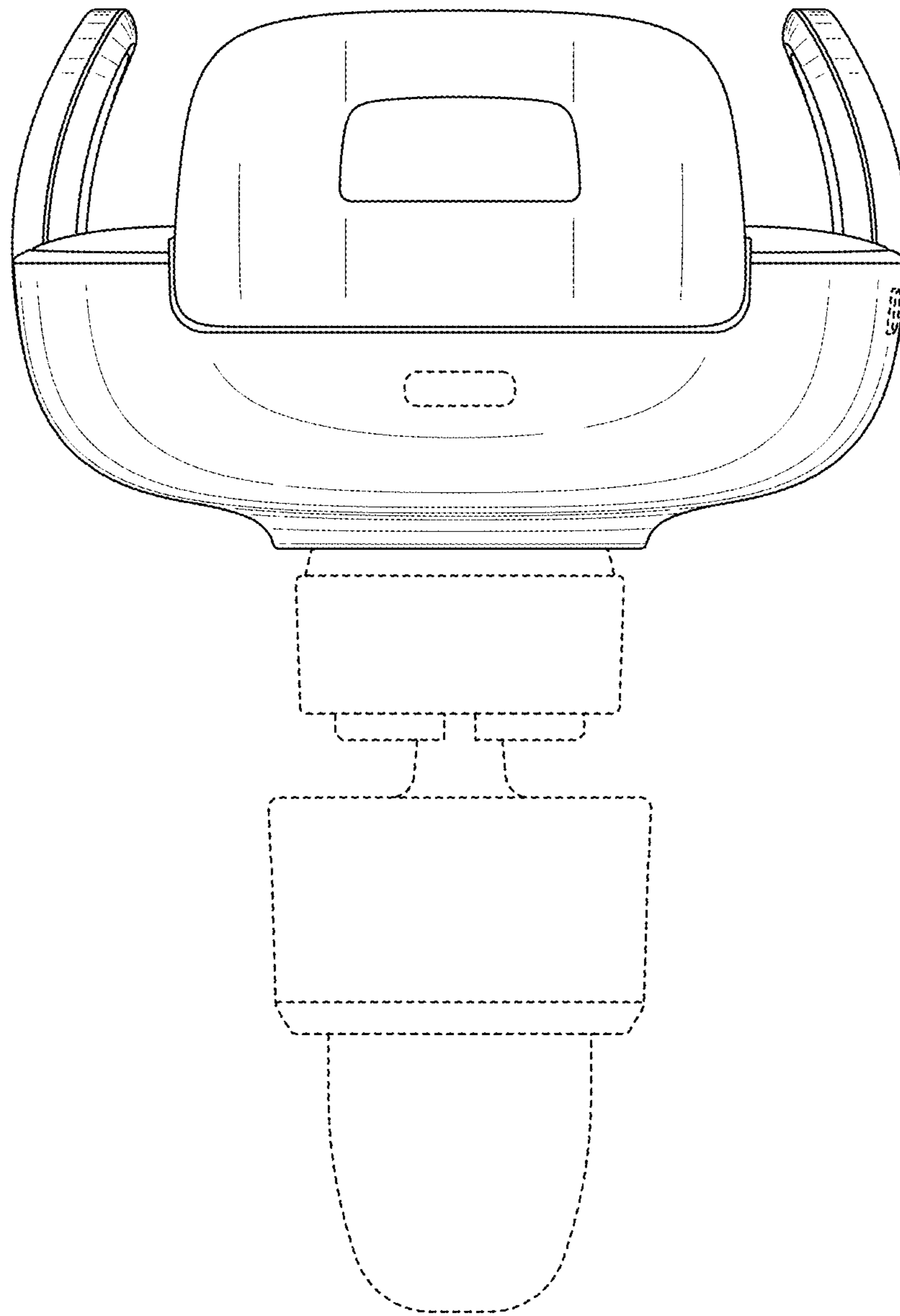


FIG. 6

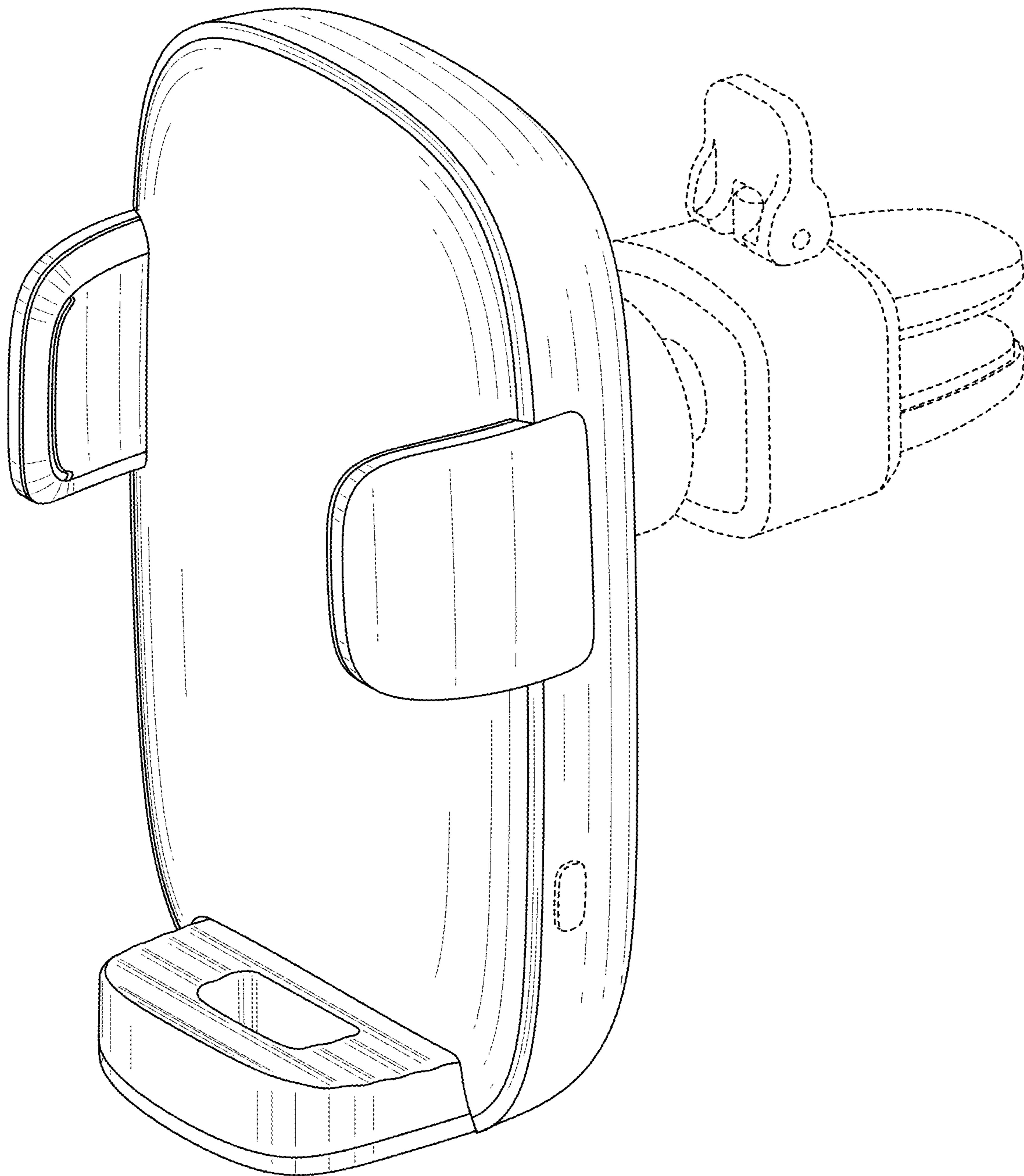


FIG. 7

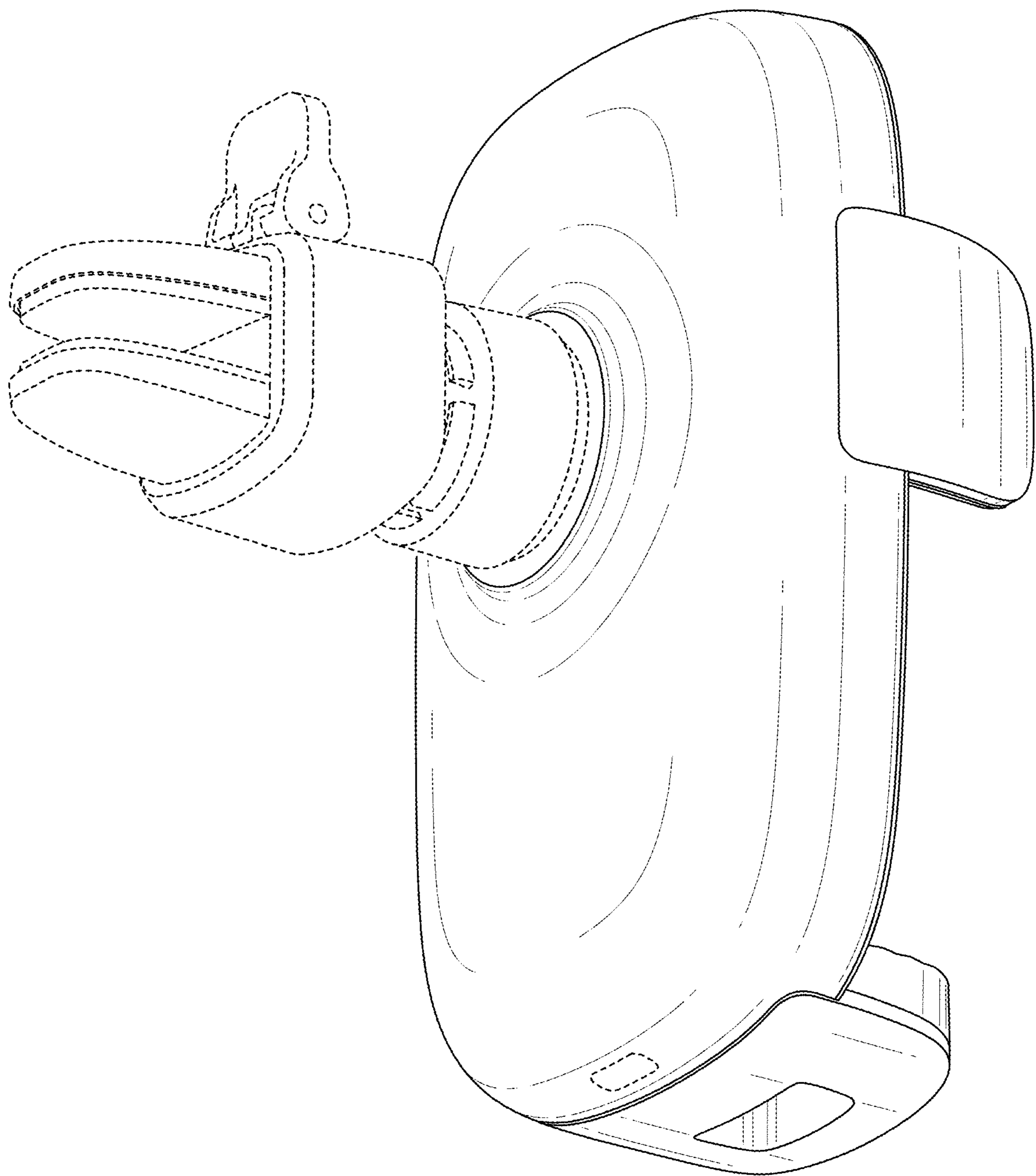


FIG. 8

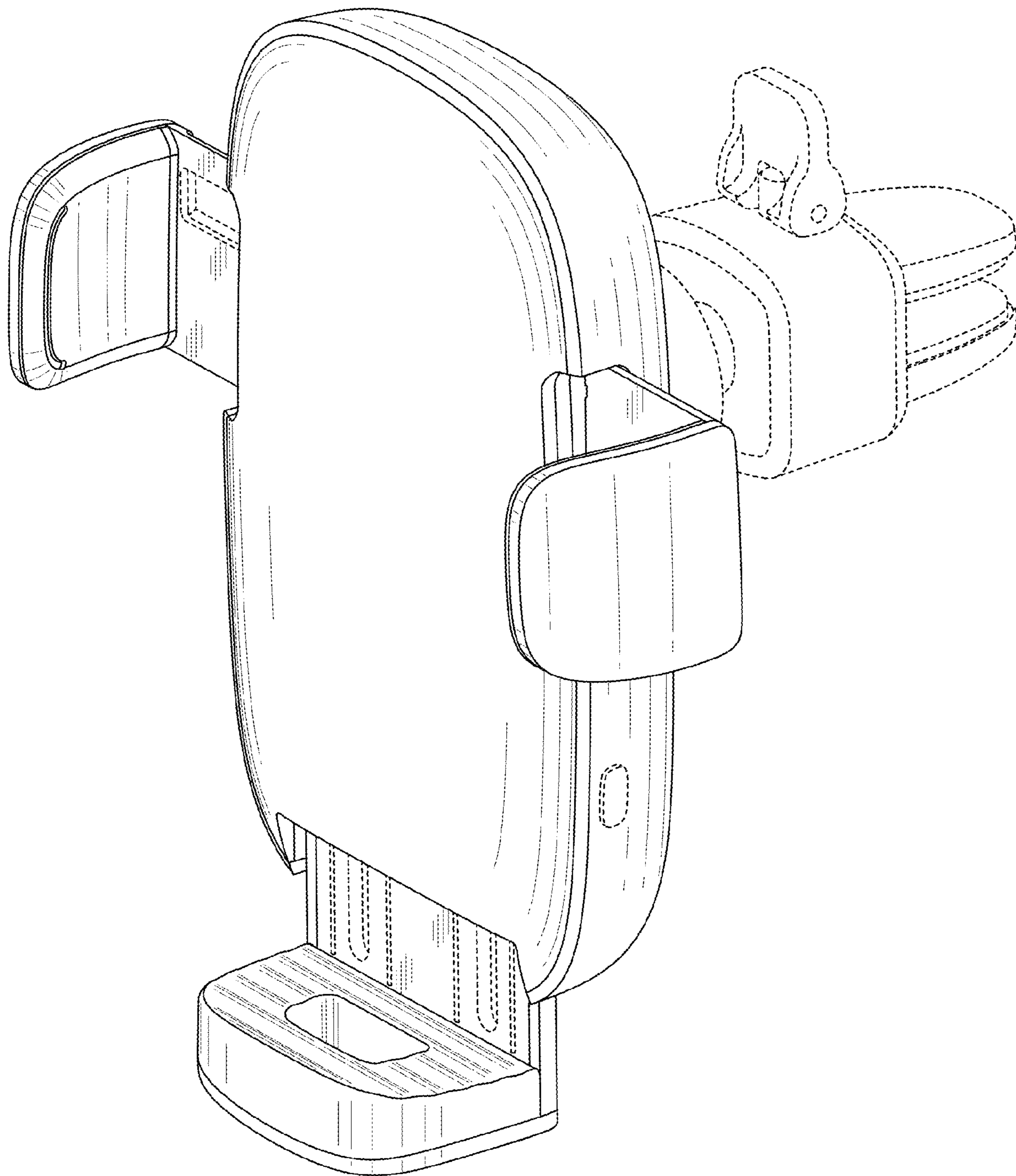


FIG. 9