



US00D927478S

(12) **United States Design Patent** (10) **Patent No.:** **US D927,478 S**
Wang (45) **Date of Patent:** **** Aug. 10, 2021**

(54) **MOBILE PHONE HOLDER**
(71) Applicant: **Zhongshan Feiyu Hardware Technology Co., Ltd., Guangdong (CN)**
(72) Inventor: **Fen Wang, Guangdong (CN)**
(73) Assignee: **Zhongshan Feiyu Hardware Technology Co., Ltd.**
(**) Term: **15 Years**
(21) Appl. No.: **29/690,787**
(22) Filed: **May 10, 2019**

D719,146 S * 12/2014 Herbst D14/253
D723,021 S * 2/2015 Guyot D14/253
D771,614 S * 11/2016 Chang D14/253
D781,297 S * 3/2017 Liao D14/447
D784,978 S * 4/2017 Hobbs D14/253
D793,994 S * 8/2017 Herbst D14/217
D799,468 S * 10/2017 Chen D14/253
D824,378 S * 7/2018 Sukphisit D14/253
D873,205 S * 1/2020 MacNeil D12/415
D873,261 S * 1/2020 Yin D14/253
D876,316 S * 2/2020 Peters D12/415
D877,043 S * 3/2020 MacNeil D12/415
D881,896 S * 4/2020 Burns D14/447
D883,273 S * 5/2020 Chen D14/253
2012/0241581 A1 * 9/2012 Chung F16M 11/10
248/346.06
2014/0135062 A1 * 5/2014 Bevirt F16M 11/2078
455/556.1

(30) **Foreign Application Priority Data**
Apr. 4, 2019 (CN) 201930151433.0
(51) **LOC (13) Cl.** **14-03**
(52) **U.S. Cl.**
USPC **D14/253**
(58) **Field of Classification Search**
USPC D14/217, 251-253, 447, 452, 432-434,
D14/440; D12/415; D3/218; D8/349,
D8/363, 394-396
CPC H04M 1/02; H04M 1/04; B60R 11/02;
F16M 11/00; F16M 11/04; F16M 11/06;
F16M 13/02; F16M 13/00; H05K 7/00;
H05K 5/02; A47G 1/17
See application file for complete search history.

(56) **References Cited**
U.S. PATENT DOCUMENTS
D518,029 S * 3/2006 Tsang D14/216
D620,884 S * 8/2010 Lee D13/108

* cited by examiner

Primary Examiner — Janice Hallmark
(74) *Attorney, Agent, or Firm* — Lerner, David, Littenberg, Krumholz & Mentlik, LLP

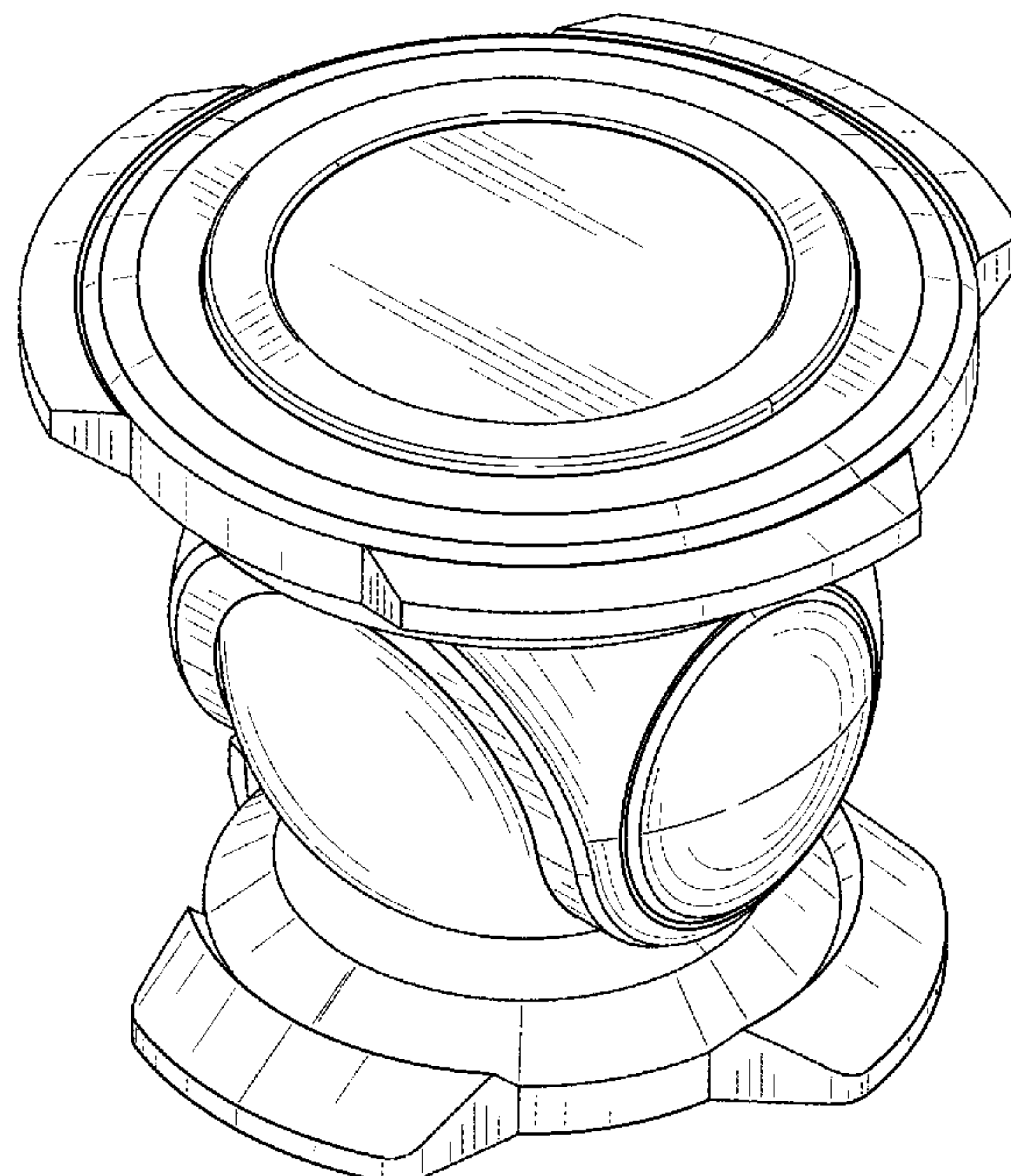
(57) **CLAIM**

The ornamental design for a mobile phone holder, as shown and described.

DESCRIPTION

FIG. 1 is a front elevation view of a mobile phone holder showing my new design;
FIG. 2 is a rear elevation view thereof;
FIG. 3 is a left side elevation view thereof;
FIG. 4 is a right side elevation view thereof;
FIG. 5 is a top plan view thereof;
FIG. 6 is a bottom plan view thereof; and,
FIG. 7 is a perspective view thereof.

1 Claim, 7 Drawing Sheets



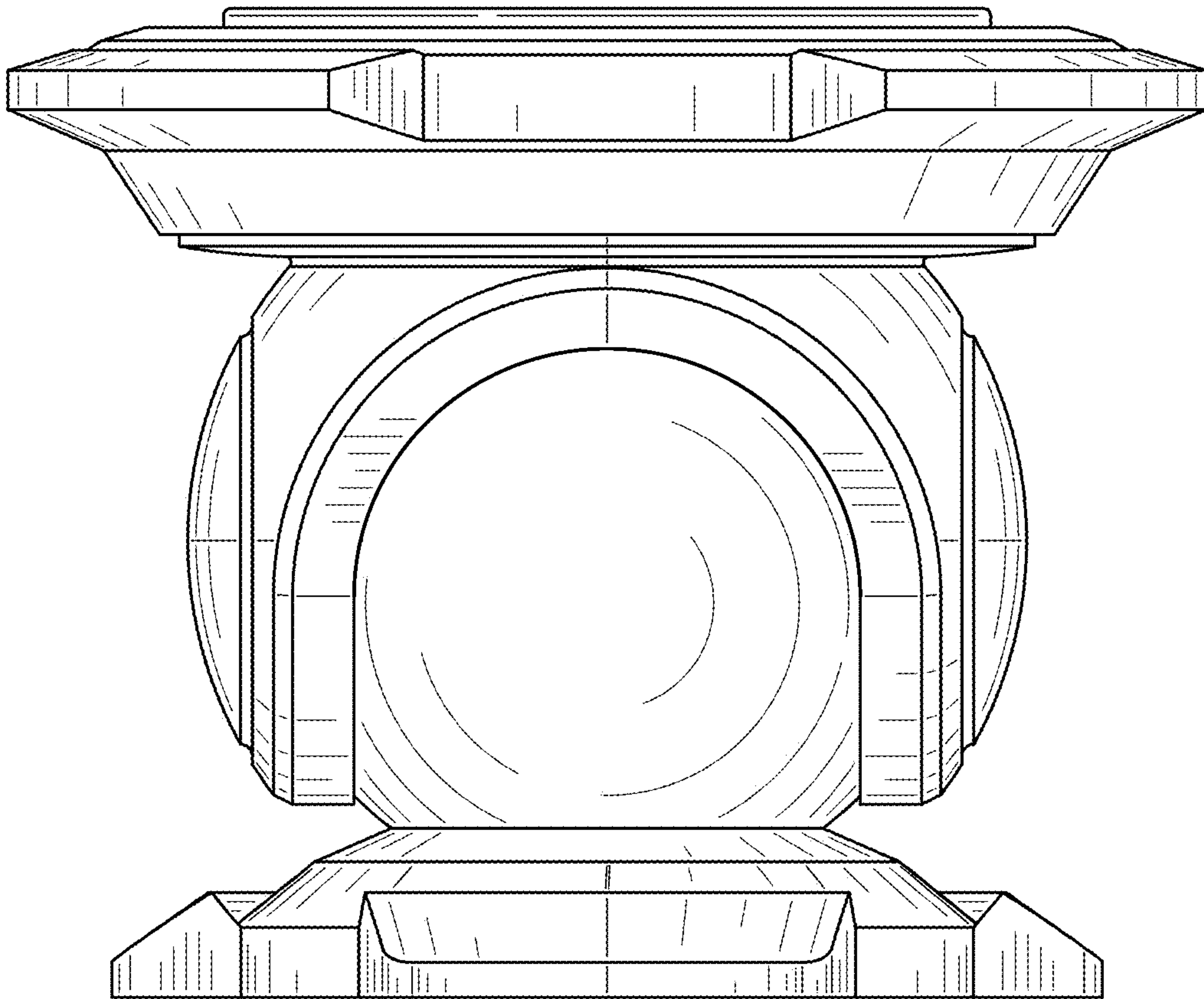


FIG. 1

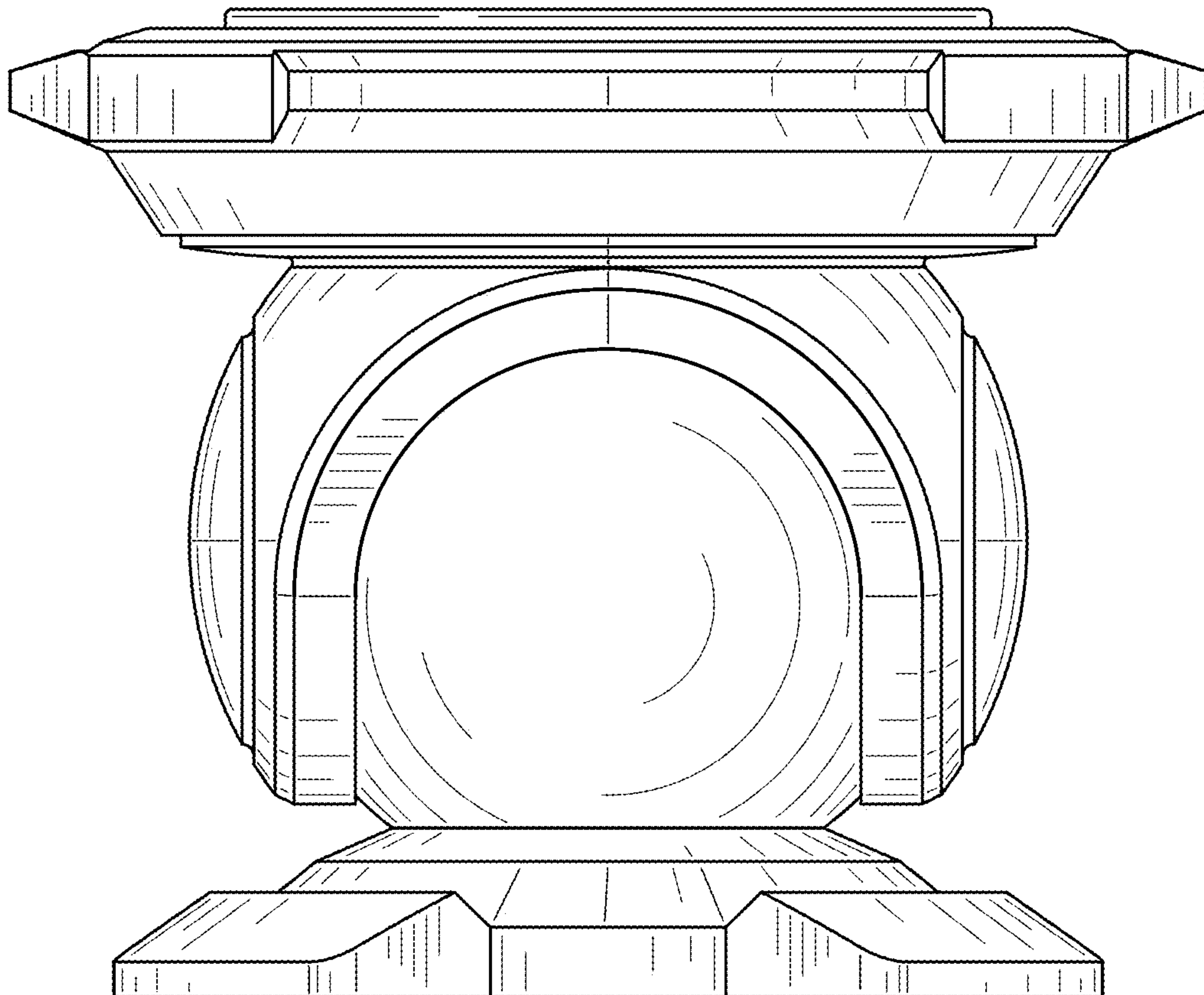


FIG. 2

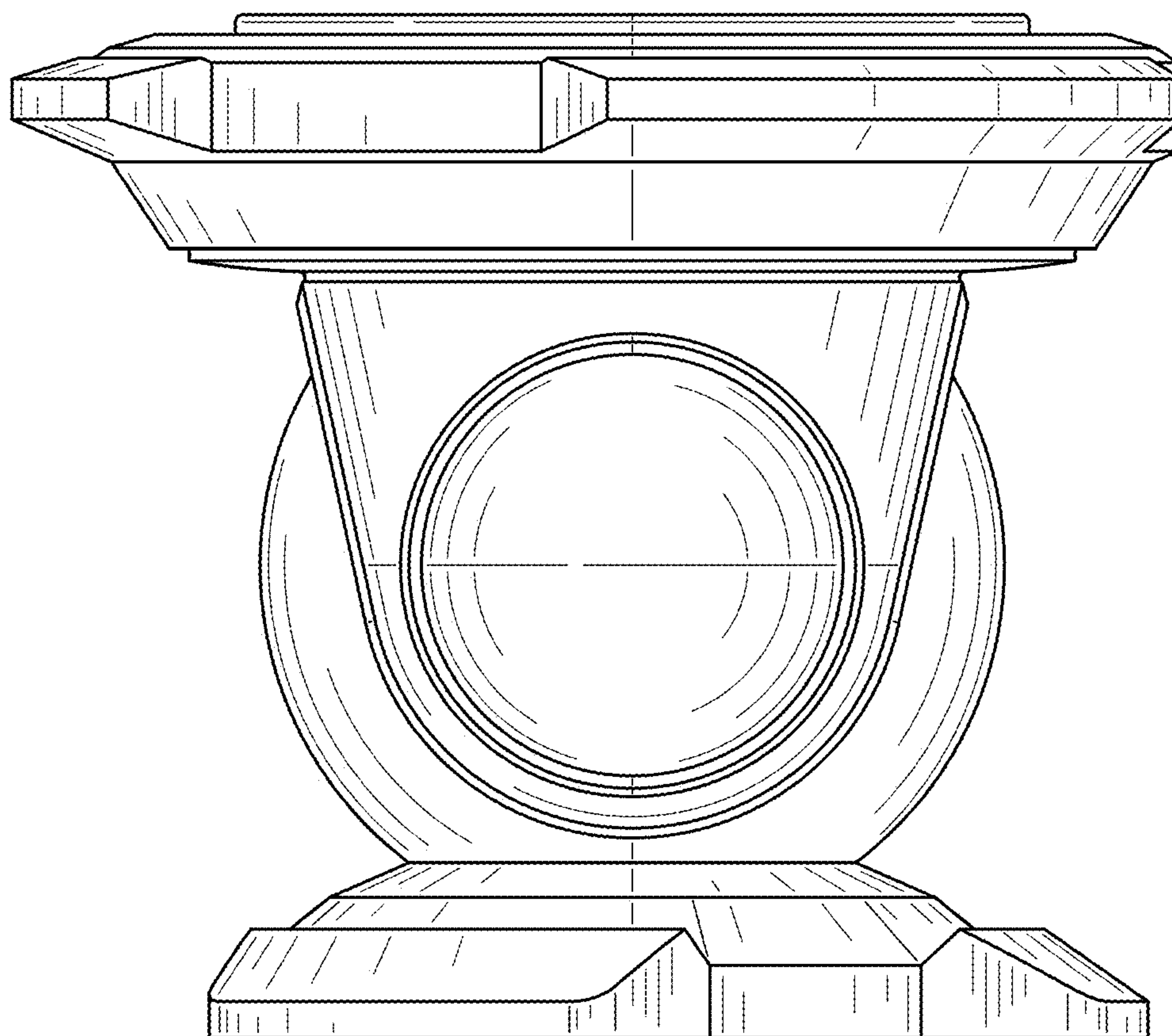


FIG. 3

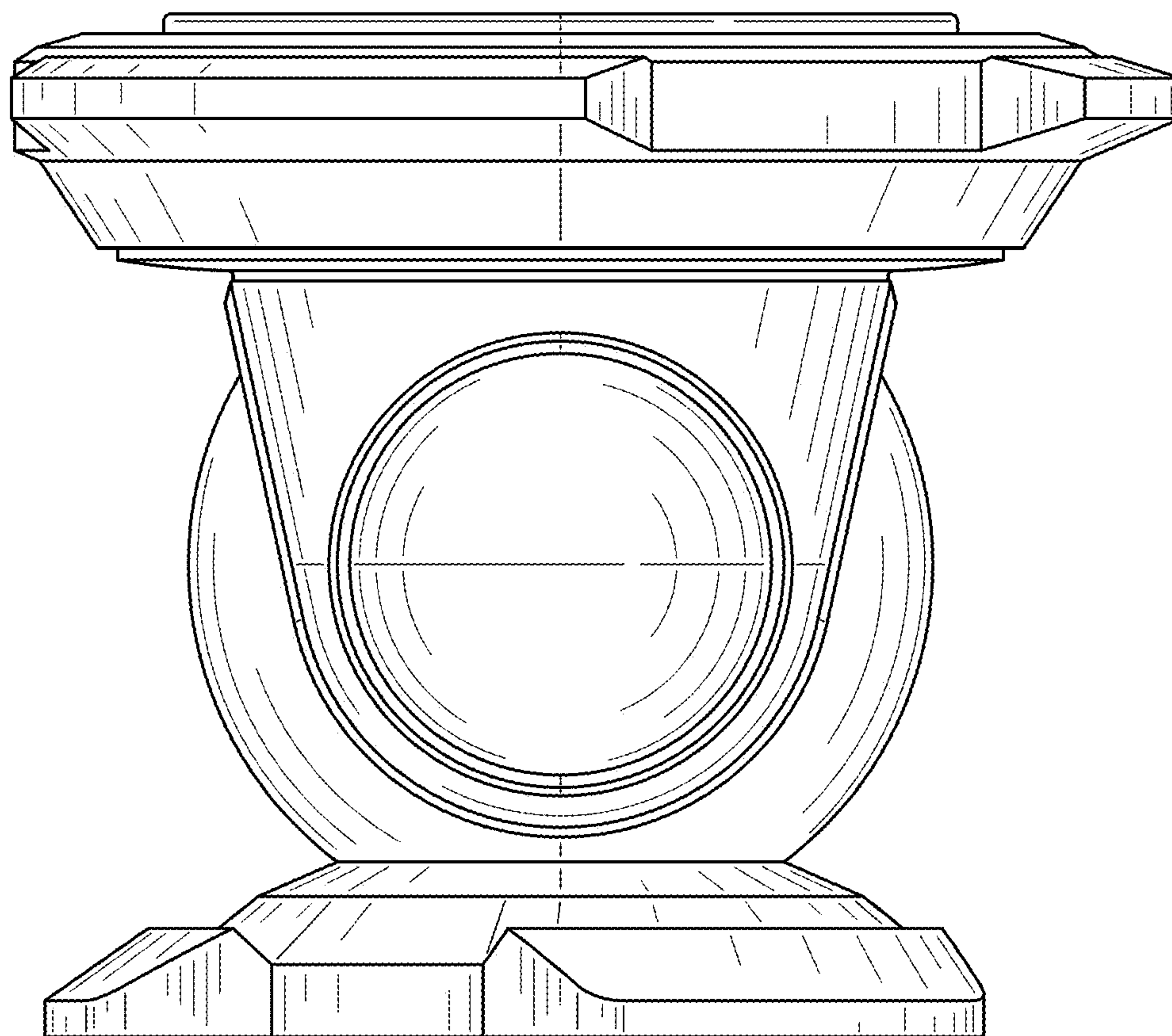


FIG. 4

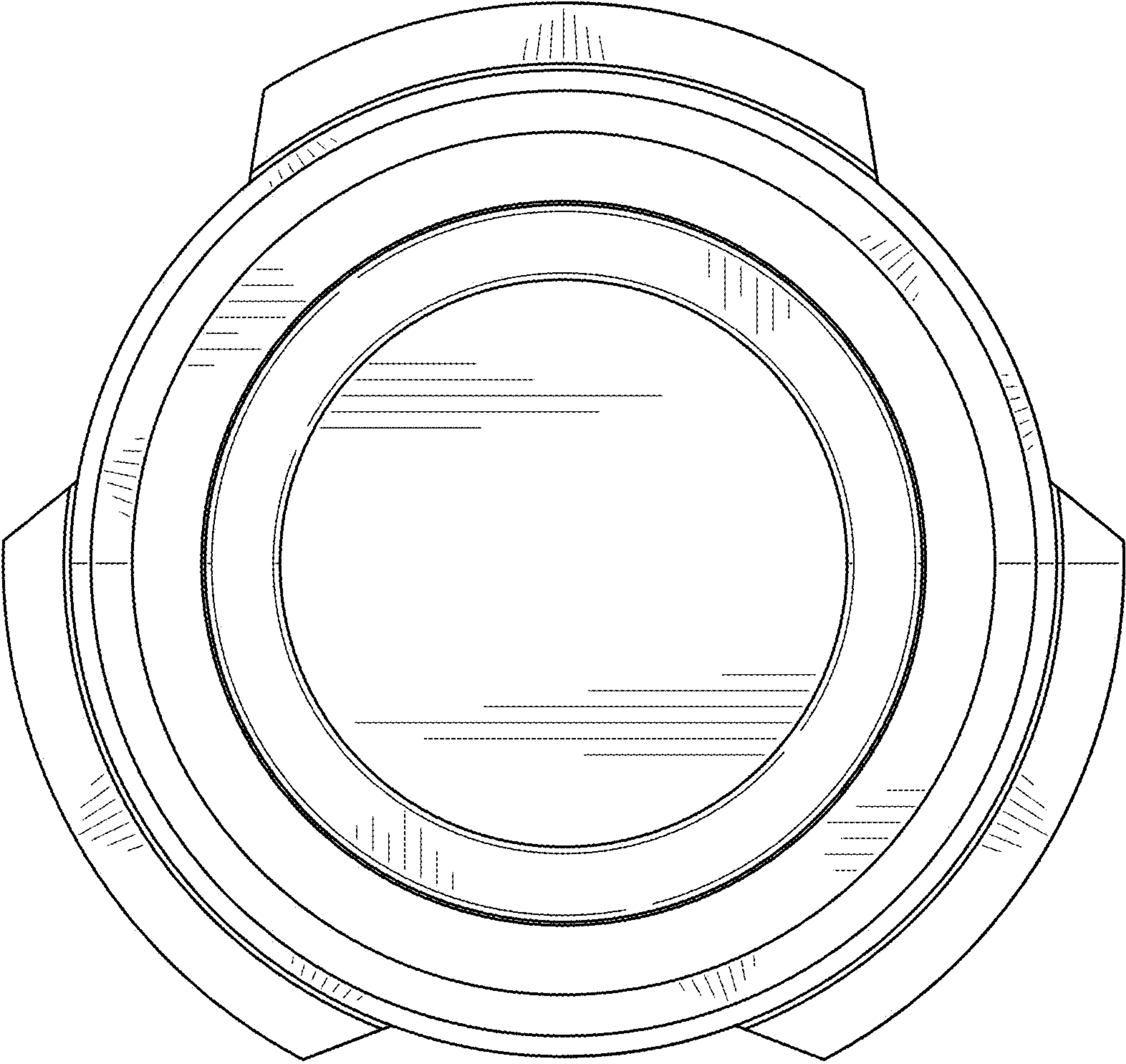


FIG. 5

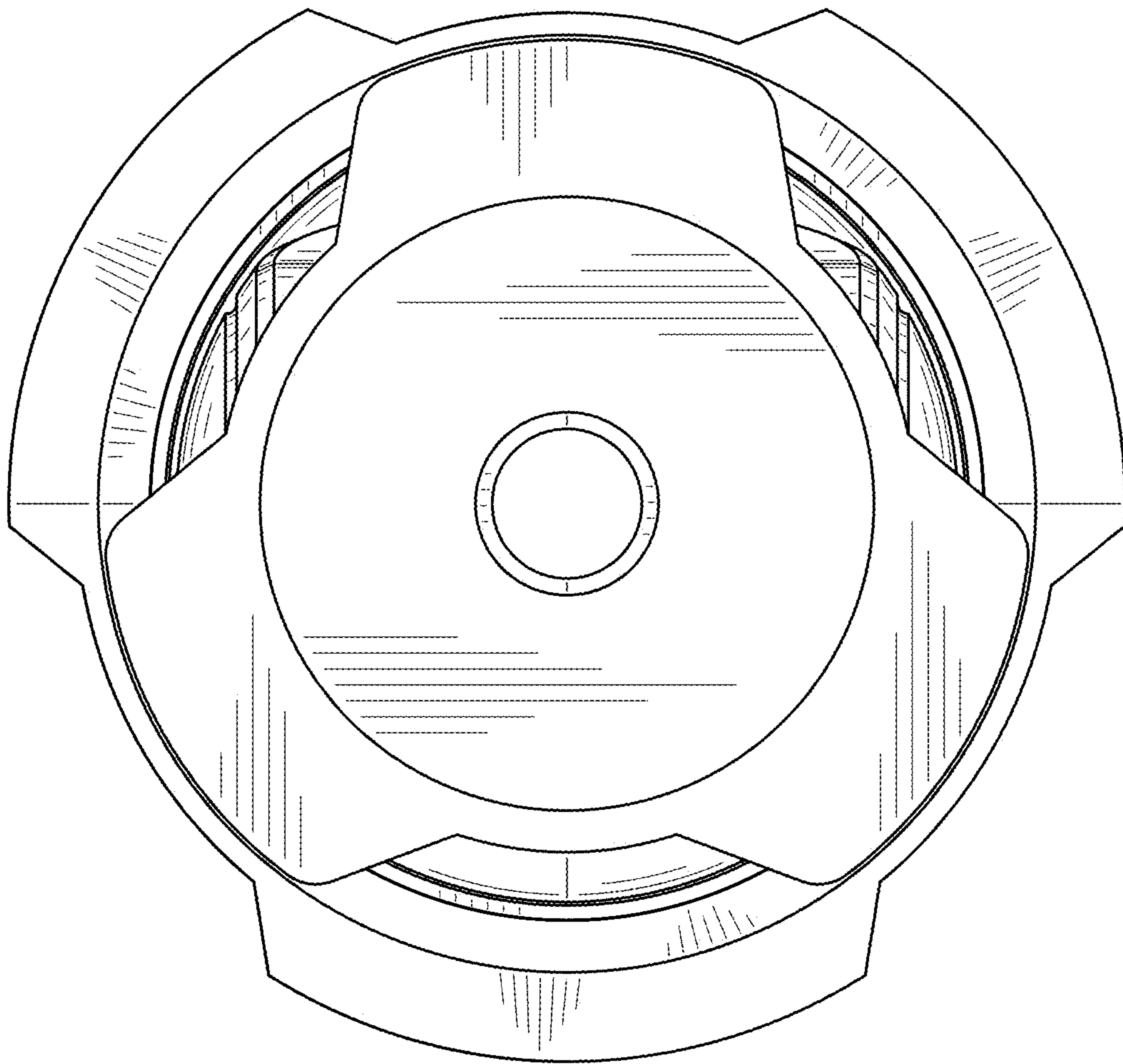


FIG. 6

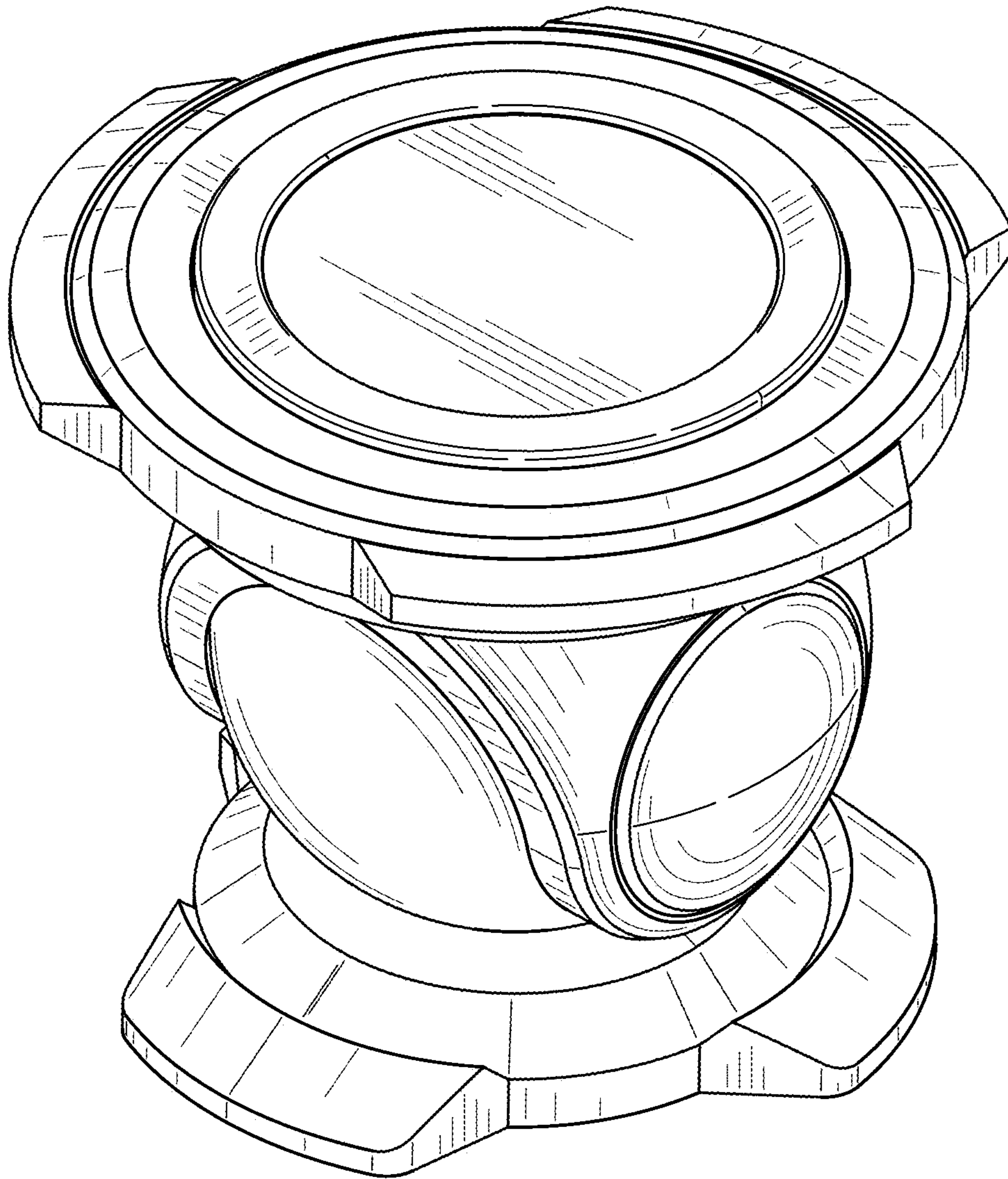


FIG. 7