



US00D927476S

(12) **United States Design Patent** (10) **Patent No.:** **US D927,476 S**  
**Markey et al.** (45) **Date of Patent:** **\*\* Aug. 10, 2021**

(54) **EARBUD HOLDER**

amazon.com/ELFRhino-Earphones-Compatible-Anti-Lost-Exercises/  
dp/B08999KPG1/ (Year: 2020).\*

(71) Applicant: **IntaglioTech, LLC**, Ann Arbor, MI  
(US)

(Continued)

(72) Inventors: **David V. Markey**, Ann Arbor, MI (US);  
**Ryan Arthur Kelly**, Portchester, NY  
(US)

*Primary Examiner* — L. A. Grabenstetter

(74) *Attorney, Agent, or Firm* — Fishman Stewart PLLC

(73) Assignee: **Intagliotech, LLC**, Ann Arbor, MI  
(US)

(57) **CLAIM**

The ornamental design for an earbud holder, as shown and described.

(\*\*) Term: **15 Years**

**DESCRIPTION**

(21) Appl. No.: **29/735,677**

(22) Filed: **May 22, 2020**

**Related U.S. Application Data**

(63) Continuation-in-part of application No. 29/675,295,  
filed on Dec. 31, 2018, now Pat. No. Des. 915,387.

(51) **LOC (13) Cl.** ..... **14-03**

(52) **U.S. Cl.**  
USPC ..... **D14/251**; D14/205; D3/218

(58) **Field of Classification Search**  
USPC ..... D3/201, 212, 218, 226, 227, 247, 249,  
D3/250, 269, 294, 295, 303; D13/107,  
(Continued)

(56) **References Cited**

**U.S. PATENT DOCUMENTS**

D620,781 S \* 8/2010 Weckworth ..... D8/356  
D651,791 S \* 1/2012 Cataldo ..... D3/218  
(Continued)

**FOREIGN PATENT DOCUMENTS**

JP 2012100248 A \* 5/2012  
JP 2012100248 A 5/2012

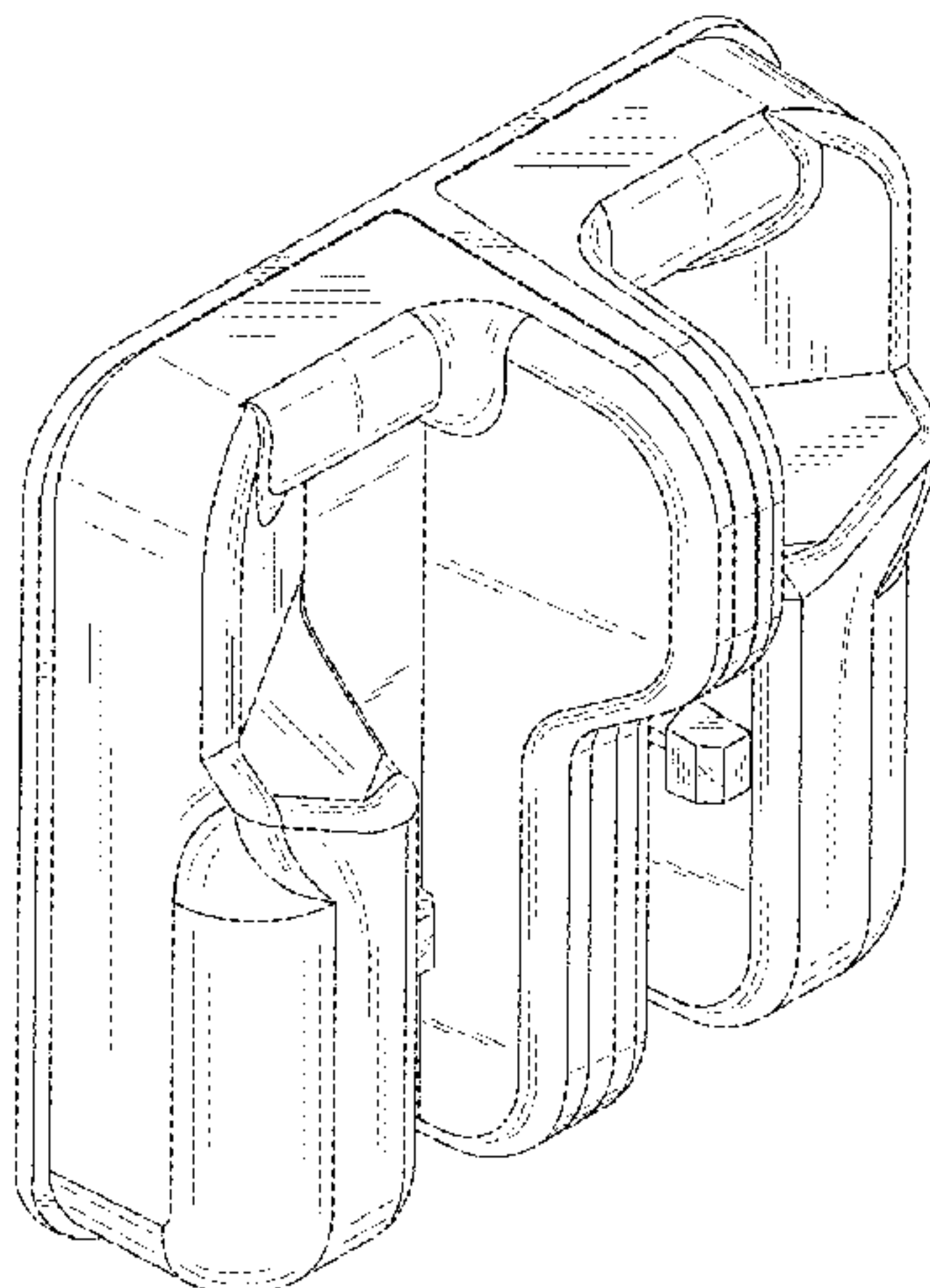
**OTHER PUBLICATIONS**

ELFRhino Watch Band Earphones Holder, publication date May 27,  
2020, [online][site visited Mar. 31, 2021] URL: <https://www.>

FIG. 1 is a front, top, left side perspective view of an earbud holder showing a first embodiment of the design;  
FIG. 2 is a front, bottom, right side perspective view thereof;  
FIG. 3 is a front elevational view thereof;  
FIG. 4 is a rear elevational view thereof;  
FIG. 5 is a left side view thereof;  
FIG. 6 is a right side view thereof;  
FIG. 7 is a top plan view thereof;  
FIG. 8 is a bottom plan view thereof.  
FIG. 9 is a front, top, left side perspective view of an earbud holder showing a second embodiment of the design;  
FIG. 10 is a front elevational view thereof;  
FIG. 11 is a rear elevational view thereof;  
FIG. 12 is a right side view thereof;  
FIG. 13 is a left side view thereof;  
FIG. 14 is a top plan view thereof;  
FIG. 15 is a bottom plan view thereof;  
FIG. 16 is a front, top, left side perspective view of an earbud holder showing a third embodiment of the design;  
FIG. 17 is a front, bottom, right side perspective view thereof;  
FIG. 18 is a front elevational view thereof;  
FIG. 19 is a rear elevational view thereof;  
FIG. 20 is a left side view thereof;  
FIG. 21 is a right side view thereof;  
FIG. 22 is a top plan view thereof; and,  
FIG. 23 is a bottom plan view thereof.

The broken lines depicting portions of the earbud holder represent unclaimed features of the article which form no part of the claimed design. The broken lines depicting a

(Continued)



phone and earbuds represent unclaimed environment that forms no part of the claimed design.

**1 Claim, 21 Drawing Sheets**

**(58) Field of Classification Search**

USPC ..... D13/108; D14/137, 138 R, 138 AA, D14/138 C, 138 G, 172, 192, D14/203.3–203.7, 217, 238.1, 247, 248, D14/250–253, 434, 440, 447, 496; D8/356  
CPC .. H04B 1/3888; H04M 1/0283; H04M 1/0202  
See application file for complete search history.

**(56) References Cited**

**U.S. PATENT DOCUMENTS**

8,170,623	B2 *	5/2012	Dorogusker .....	H02J 7/342 455/57
D676,022	S *	2/2013	Stevinson .....	D14/205
D676,416	S *	2/2013	Stevinson .....	D14/205
D682,550	S *	5/2013	Chun .....	D3/294
D682,807	S *	5/2013	Stevinson .....	D14/205
D685,771	S *	7/2013	Bertenthal .....	D14/223
8,485,404	B2 *	7/2013	Monaco .....	A45C 11/00 224/66
D691,636	S *	10/2013	Bunton .....	D14/496
D697,718	S *	1/2014	Chun .....	D3/319
8,720,683	B2 *	5/2014	Mao .....	A45C 11/00 206/320
D706,643	S *	6/2014	Akana .....	D9/721
8,891,800	B1 *	11/2014	Shaffer .....	H04R 1/1025 381/38
D720,330	S *	12/2014	Stevinson .....	D14/205
D720,718	S *	1/2015	Stevinson .....	D14/205
D726,701	S *	4/2015	Stevinson .....	D14/25
D730,315	S *	5/2015	Stevinson .....	D14/205
D732,011	S *	6/2015	Stevinson .....	D14/250
9,071,902	B1 *	6/2015	Ai .....	H04R 1/1033
9,148,717	B2 *	9/2015	Shaffer .....	H04R 1/1025
D744,470	S *	12/2015	Stevinson .....	D14/250
9,247,035	B1 *	1/2016	Zhang .....	H04M 1/185
D757,522	S *	5/2016	Kim .....	D8/356
D796,968	S *	9/2017	Akana .....	D9/721
9,769,558	B2 *	9/2017	Chandramohan .....	A45C 11/24
D806,388	S *	1/2018	Akana .....	D3/294
D807,761	S *	1/2018	Akana .....	D9/721
D829,551	S *	10/2018	Akana .....	D9/455
D855,609	S *	8/2019	Jeong .....	D14/250
2009/0036175	A1 *	2/2009	Brandenburg .....	A45F 5/02 455/575.1
2011/0170732	A1 *	7/2011	Parker .....	H04R 1/1033 381/384
2011/0317865	A1 *	12/2011	Stevinson .....	H04R 1/1033 381/384
2013/0148839	A1 *	6/2013	Stevinson .....	H04R 1/1033 381/38
2013/0237290	A1 *	9/2013	Simmons, Jr. ....	H04M 1/15 455/56
2014/0079237	A1 *	3/2014	Cataldo .....	H04R 1/1033 381/74

2014/0105441	A1 *	4/2014	Kroupa .....	H02G 11/02 381/370
2014/0161301	A1 *	6/2014	Merenda .....	G06F 1/105 381/384
2015/0157116	A1 *	6/2015	Williams .....	A45F 5/004 224/16
2015/0365756	A1 *	12/2015	Merenda .....	A45C 15/00 381/375
2018/0014436	A1 *	1/2018	Milevski .....	H05K 9/0007
2018/0284841	A1 *	10/2018	Lee .....	H04M 1/04

**OTHER PUBLICATIONS**

DropBase Case for AirPods, publication date Jan. 8, 2021, [online][site visited Mar. 31, 2021] URL: <https://www.amazon.com/DropBase-Airpods-Protective-Original-Accessory/dp/B08SGB7YQD> (Year: 2021).\*

Webpage for Airpod Charging iPhone Case available prior to Dec. 31, 2018 <https://forums.imore.com/airpods/394853-airpod-charging-iphone-case.html>.\*

Amazon webpage for UOSOSO AirPods Holder, Silicone Strap case Sport Holder for AirPods (Airpods Holder—Black) available prior to Dec. 31, 2018 <https://www.amazon.com/UOSOSO-Airpods-Silicone-Airpods-Holder-Black/dp/B078WNVVMZ>.\*

<https://www.trendhunter.com/trends/case-protector>, dated May 10, 2017.\*

Alibaba.com webpage for Funny Design Cute Bull Silicon Case with Earphone Holder for iPhone 5 available prior to Dec. 31, 2018 [https://www.alibaba.com/product-detail/Funny-design-cute-bull-silicon-case\\_60010456781.html](https://www.alibaba.com/product-detail/Funny-design-cute-bull-silicon-case_60010456781.html).\*

Ebaby webpage for TurtleCell Retractable Headphone Case for iPhone 6 available prior to Dec. 31, 2018 <https://www.ebay.com/p/TurtleCell-Retractable-Headphone-Case-for-iPhone-6-Retail/3014972716?iid=222828852222&chn=ps>.\*

Kickstarter webpage for PodCase—Batter Case for Your iPhone and AirPods available prior to Dec. 31, 2018 <https://www.kickstarter.com/projects/58140323/podcase-battery-case-for-your-iphone-and-airpods?ref=341581&token=6870e46b>.\*

Amazon webpage for AirPods Holder Watch Strap Portable Anti-Lost Silicone Carrying Case for Apple AirPods (Black) available prior to Dec. 31, 2018 <https://www.amazon.com/AirPods-Portable-Anti-Lost-Silicone-Carrying/dp/B07CL76N38>.\*

The Airbay: iPhone and AirPods Together in One Case, publication Jun. 18, 2017, [online][site visited May 29, 2020] URL: <https://www.kickstarter.com/projects/kalyxdesigns/the-airbay-iphone-and-airpods-together-in-one-case> (Year: 2017).\*

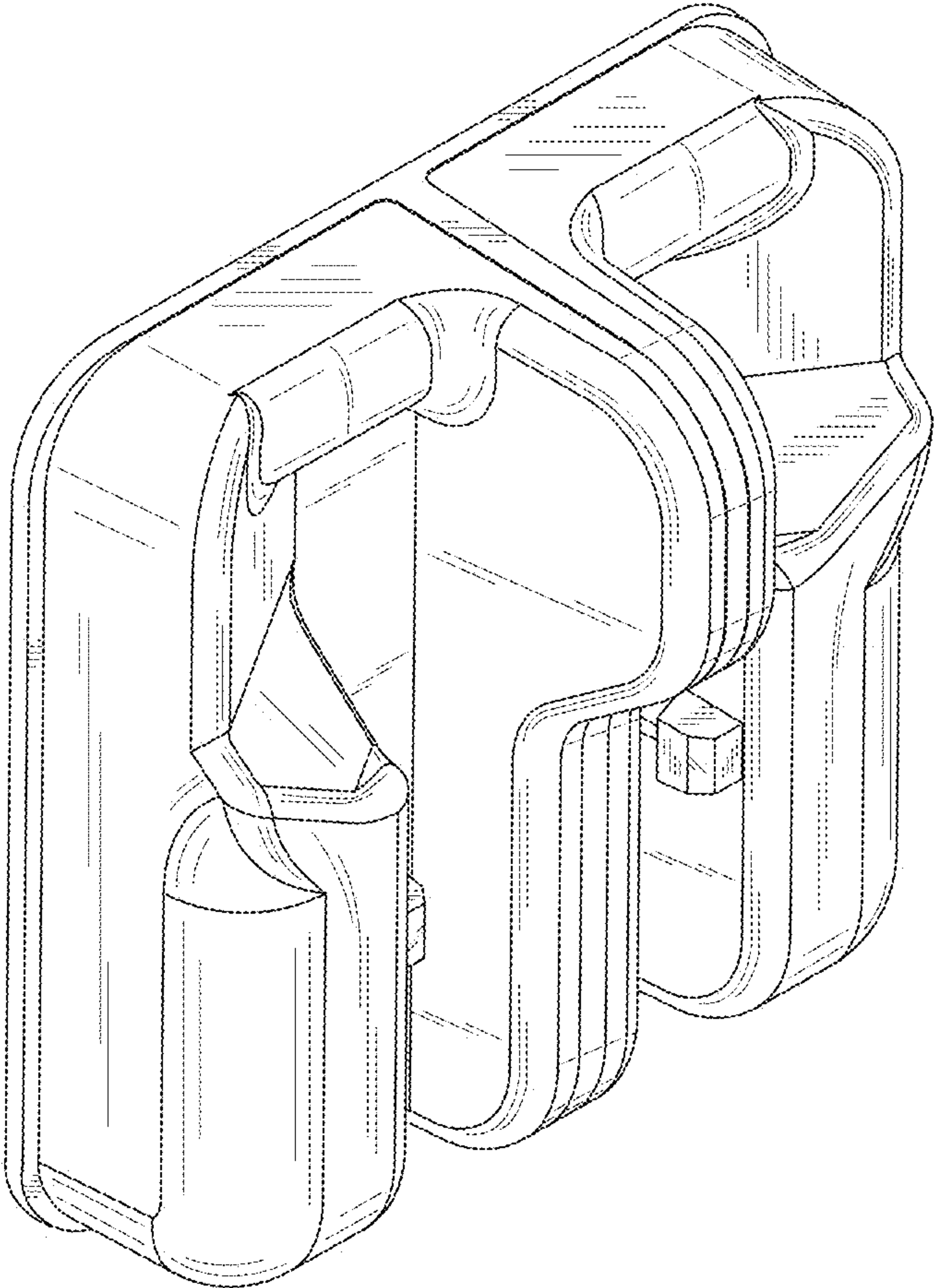
The iPhone & AirPod Charger Lets You Power up both Devices at once, publication date Jun. 18, 2019, [online][site visited May 28, 2020] URL: <https://www.bustle.com/p/this-iphone-airpod-charger-lets-you-power-up-both-devices-at-once-18013031> (Year: 2019).\*

Ebaby webpage for TurtleCell Retractable Headphone Case for iPhone 6 available prior to Dec. 31, 2018 <https://www.ebay.com/p/TurtleCell-Retractable-Headphone-Case-for-iPhone-6-Retail/3014972716?id=222828852222&chn=ps>.\*

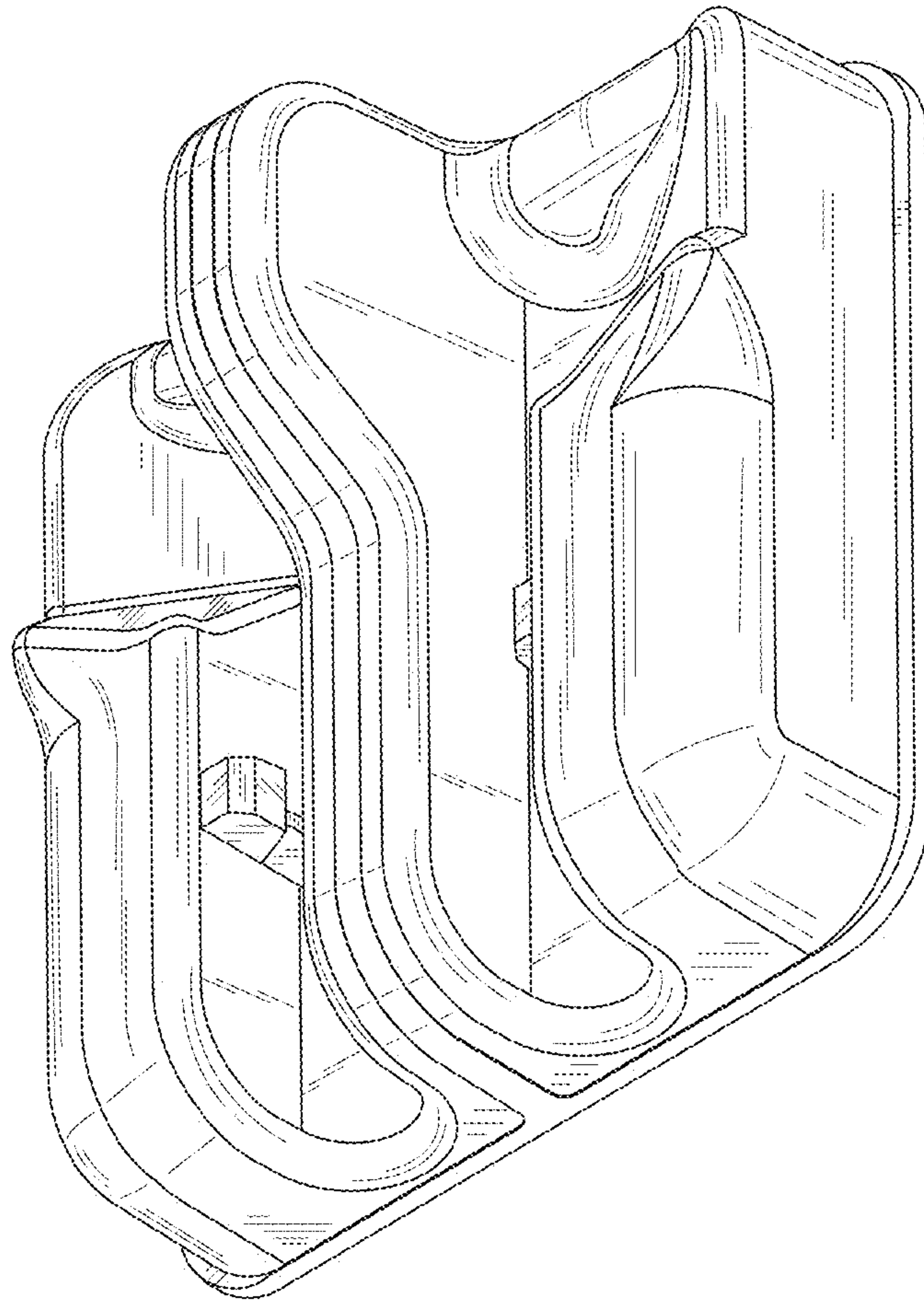
Kickstarter webpage for PodCase—Batter Case for Your iPhone and AirPods available prior to Dec. 31, 2018 <https://www.kickstarter.com/projects/581404323/podcase-battery-case-for-your-iphone-and-airpods?ref=341581&token=6870e46b>.

\* cited by examiner

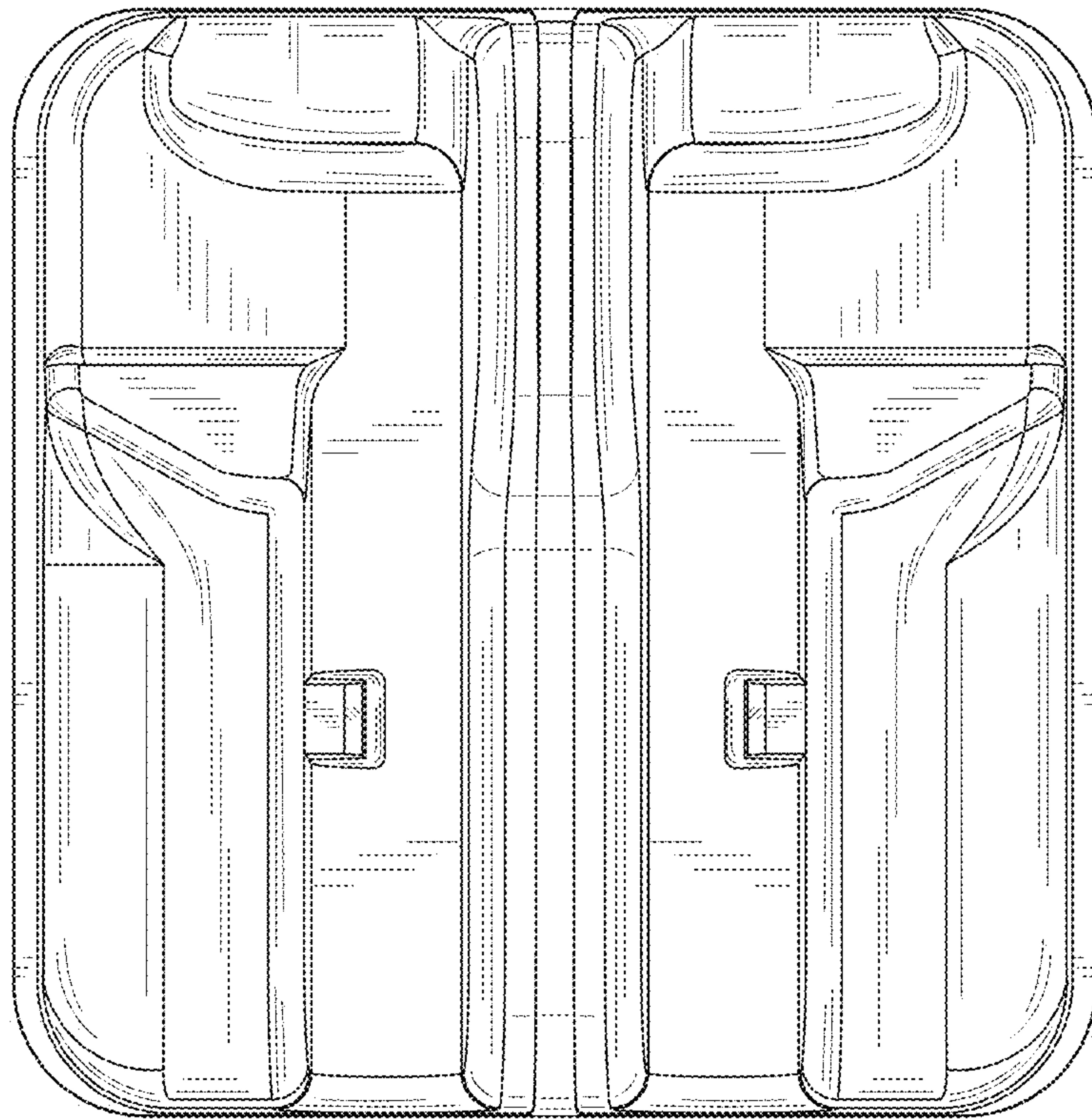




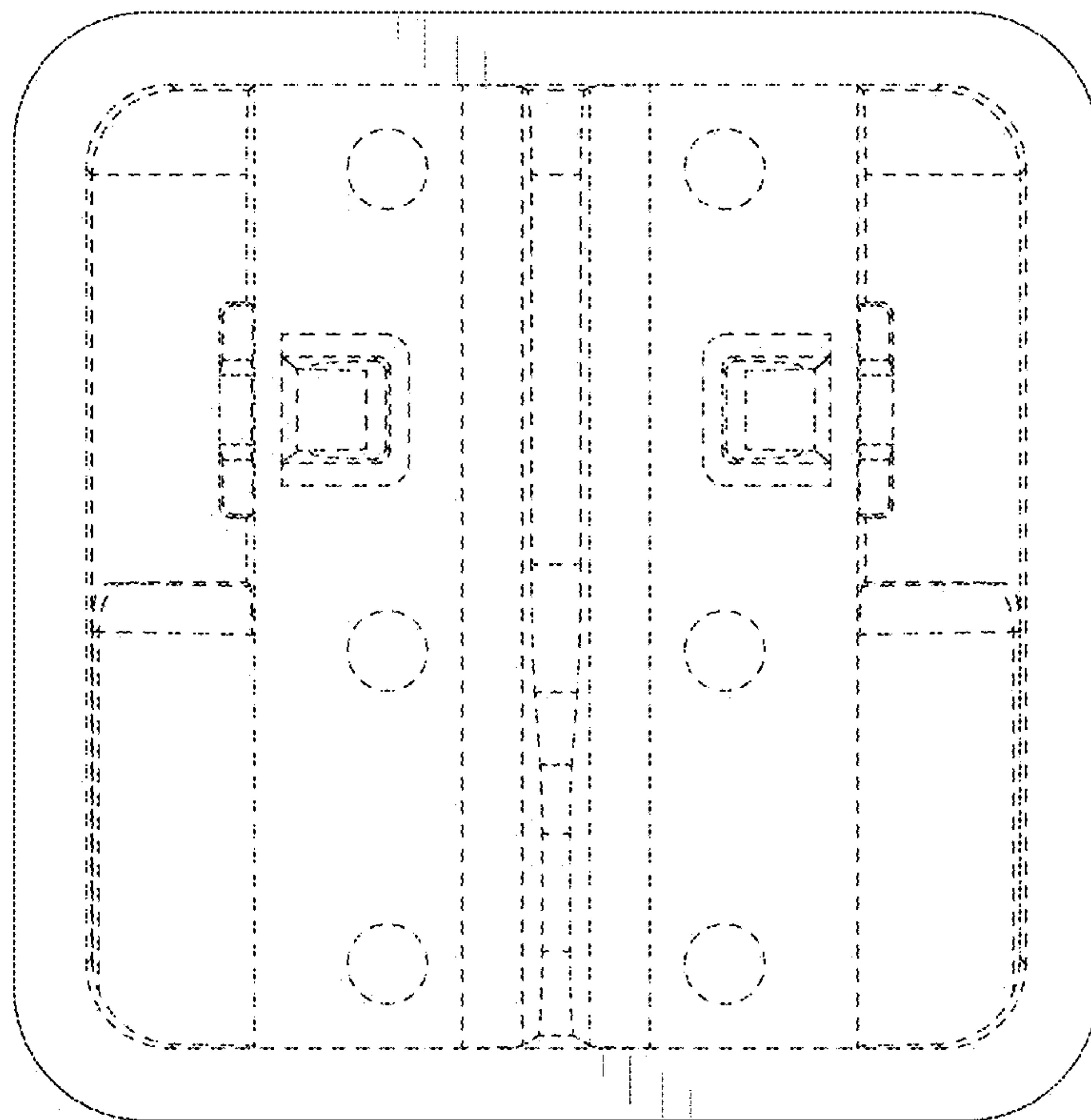
**FIG. 1**



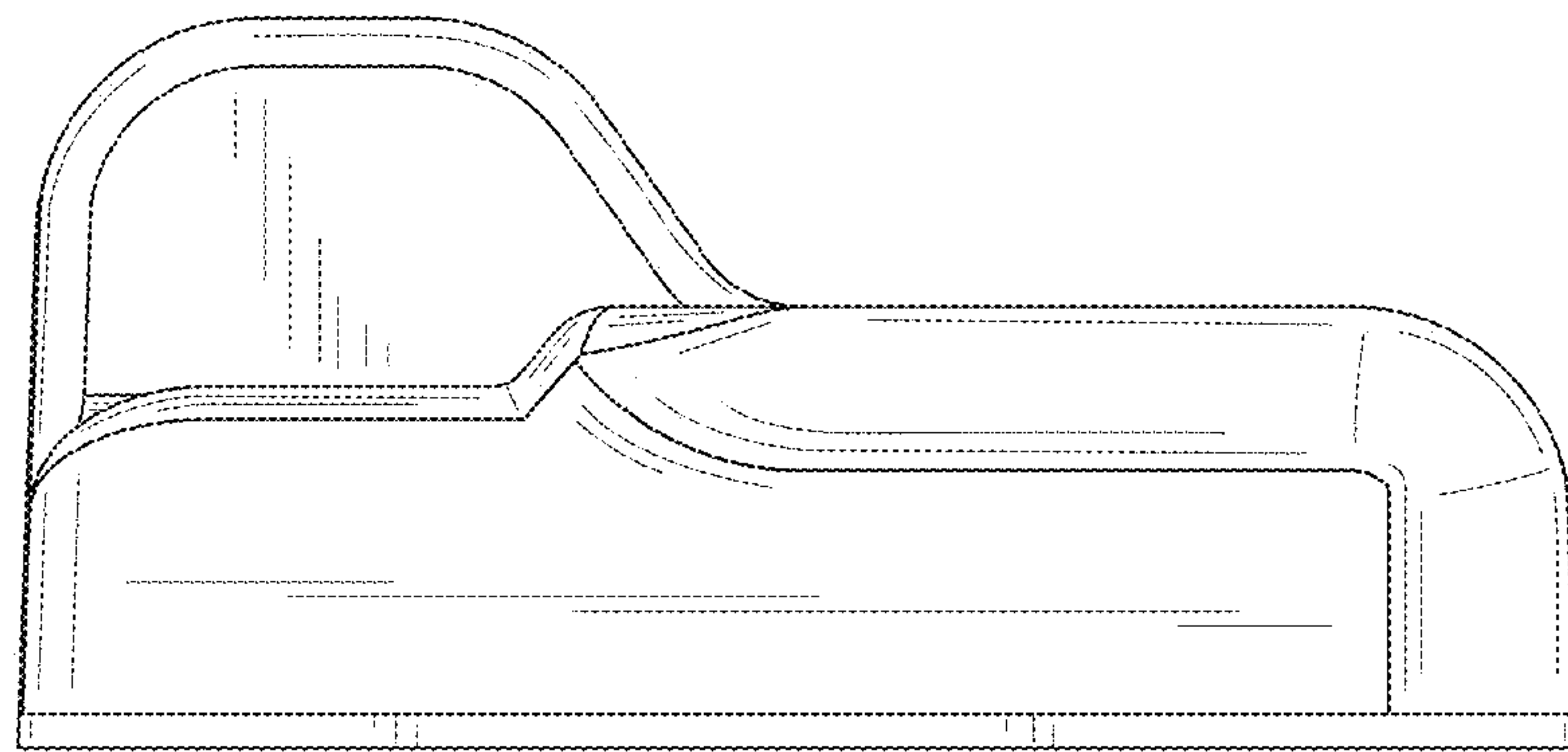
**FIG. 2**



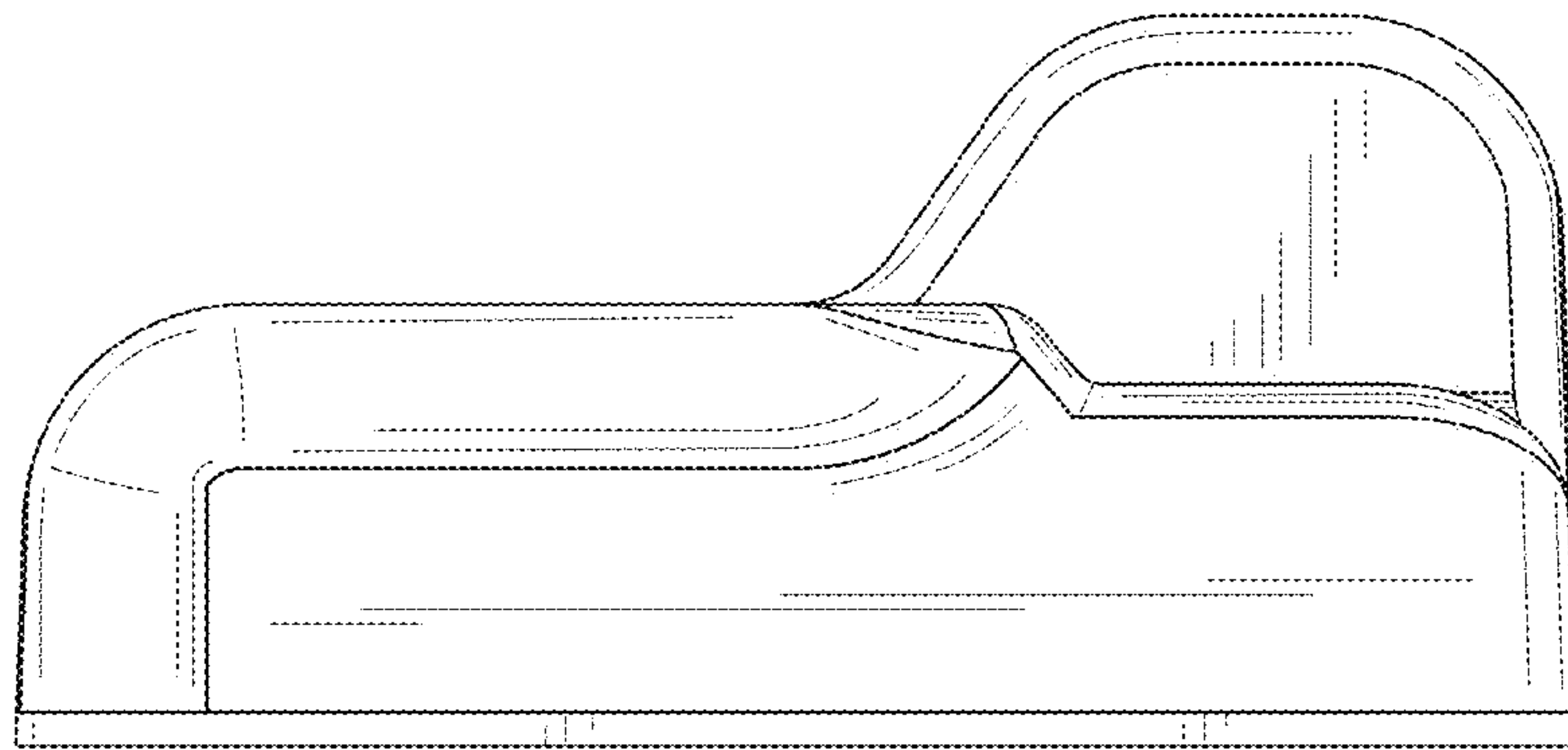
**FIG. 3**



**FIG. 4**

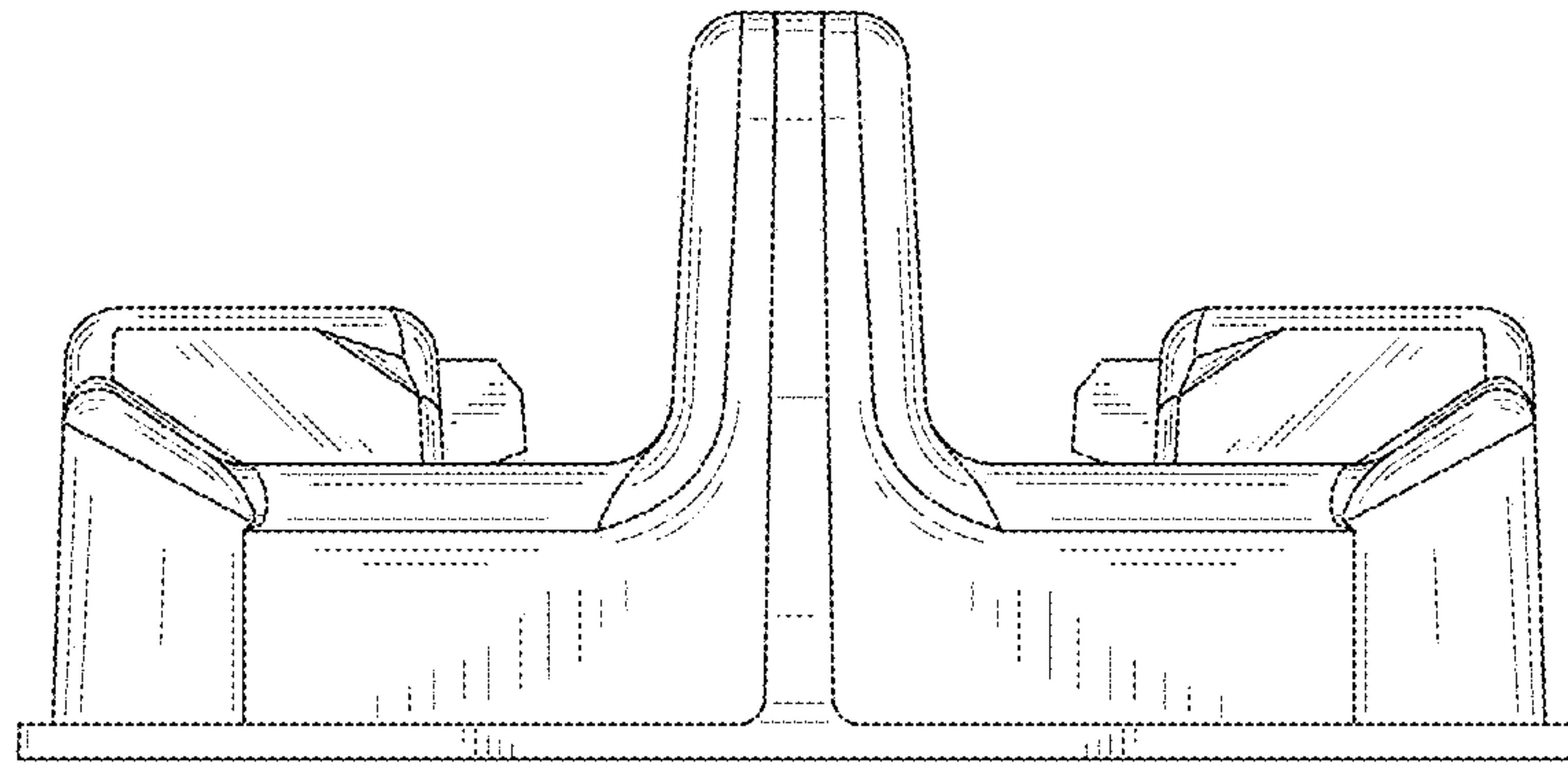


**FIG. 5**

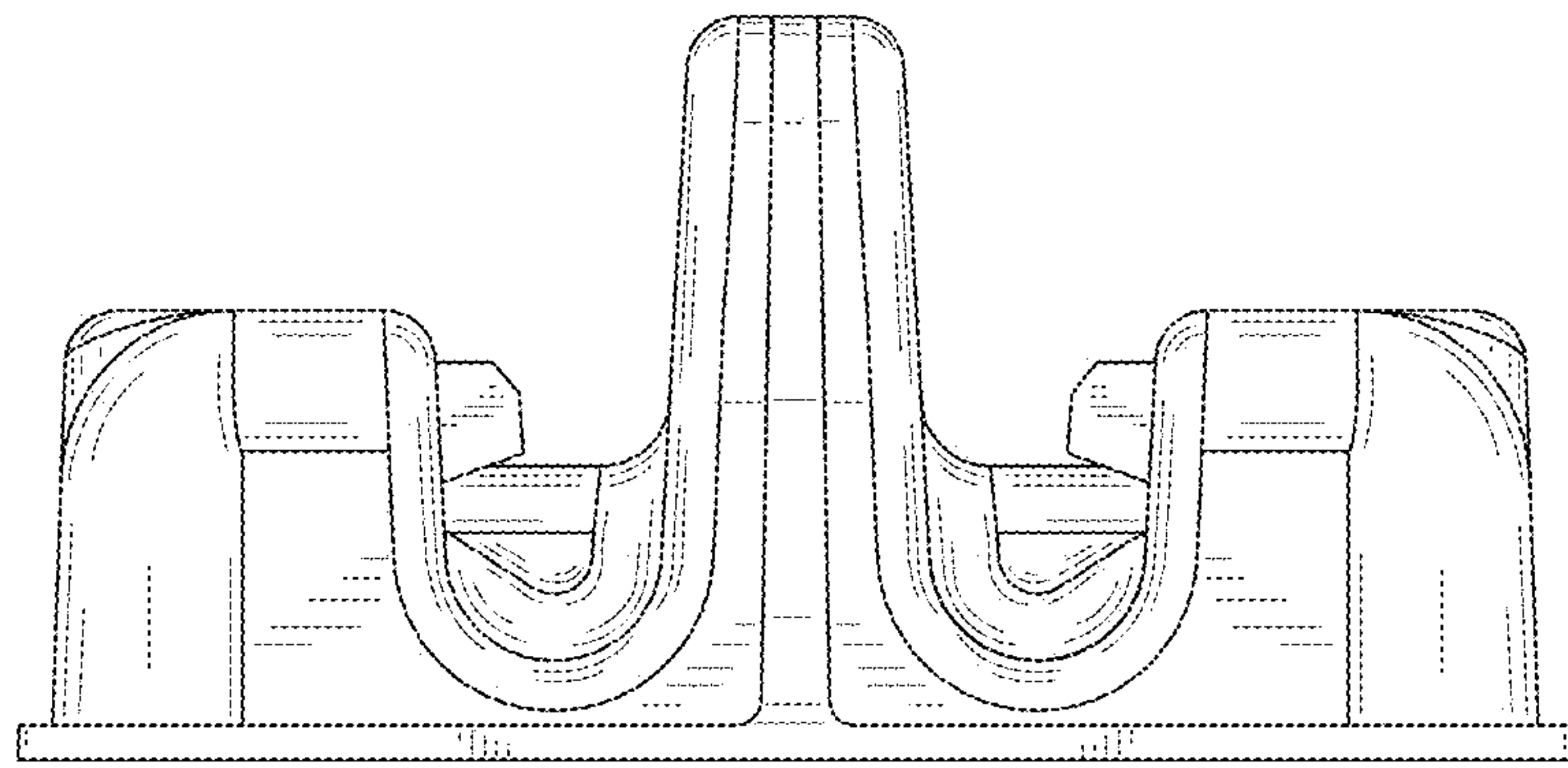


**FIG. 6**

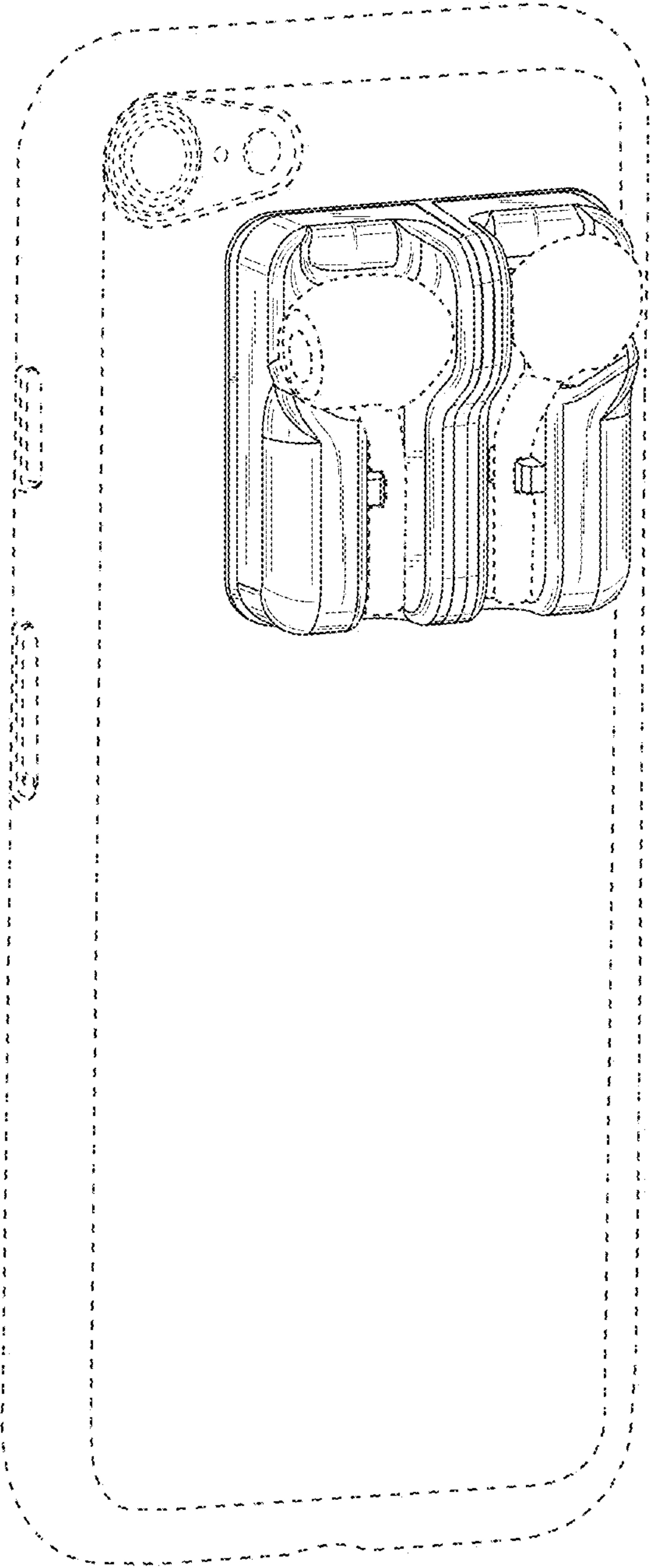




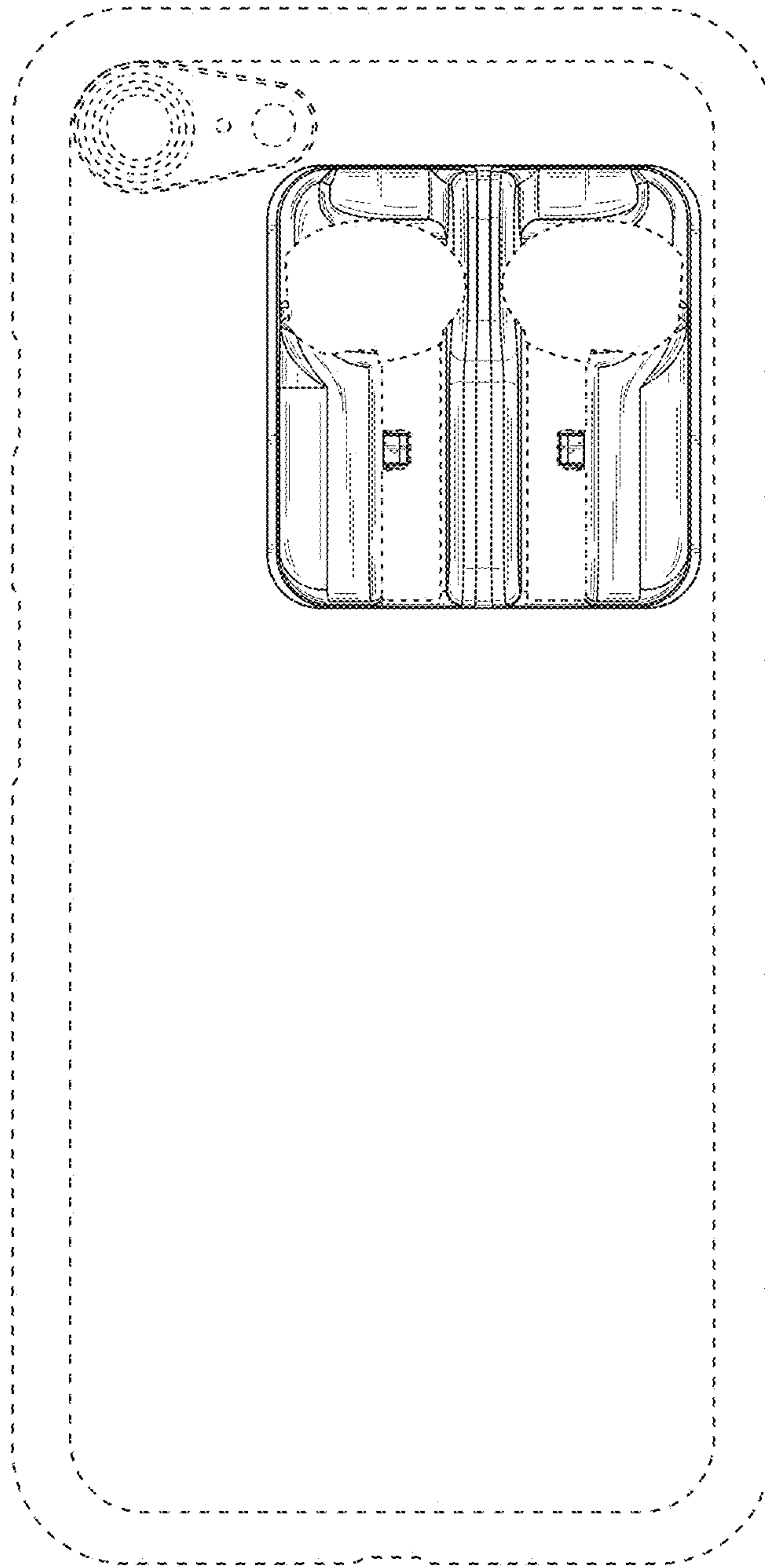
**FIG. 7**



**FIG. 8**

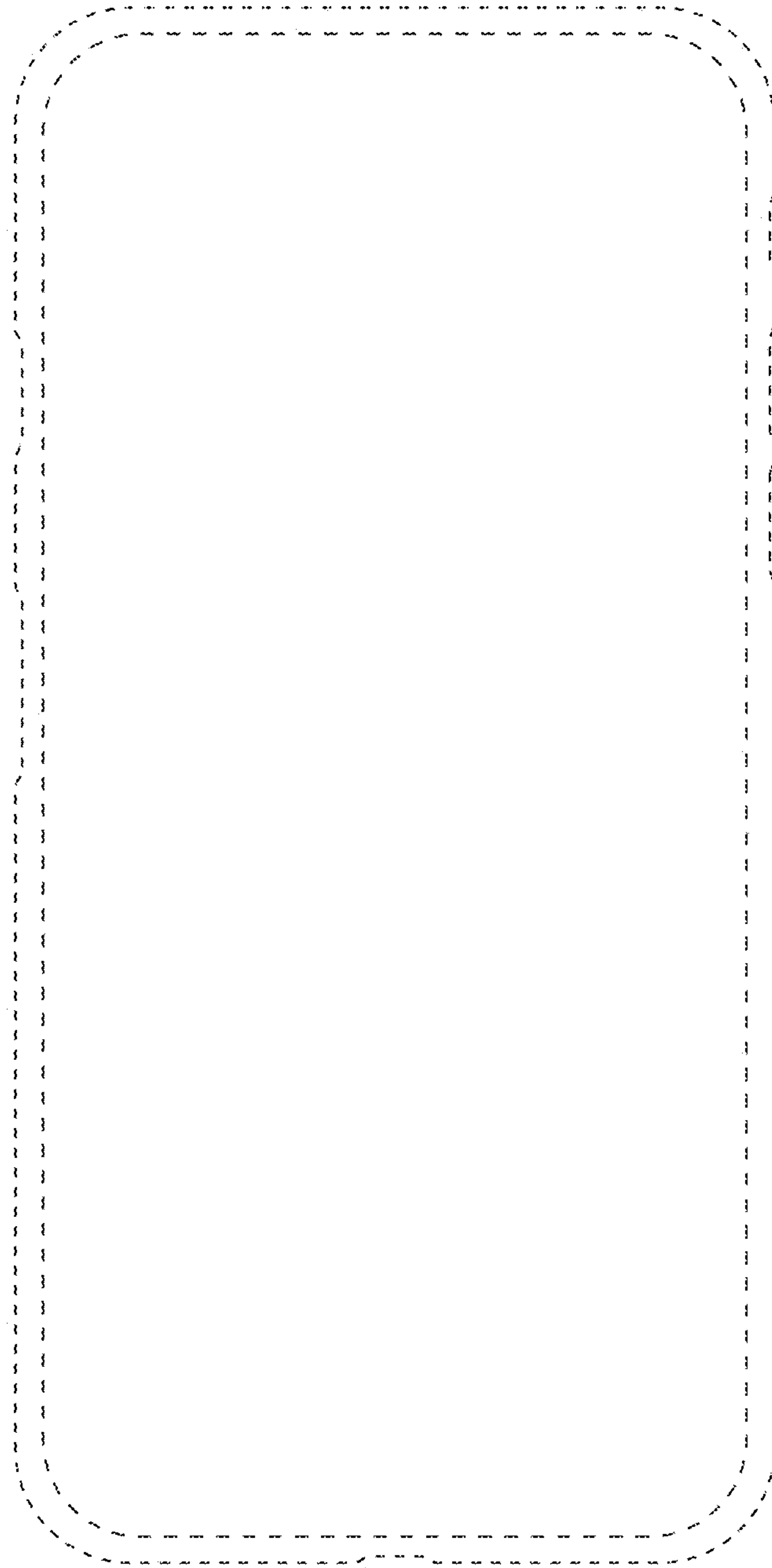


**FIG. 9**



**FIG. 10**





**FIG. 11**

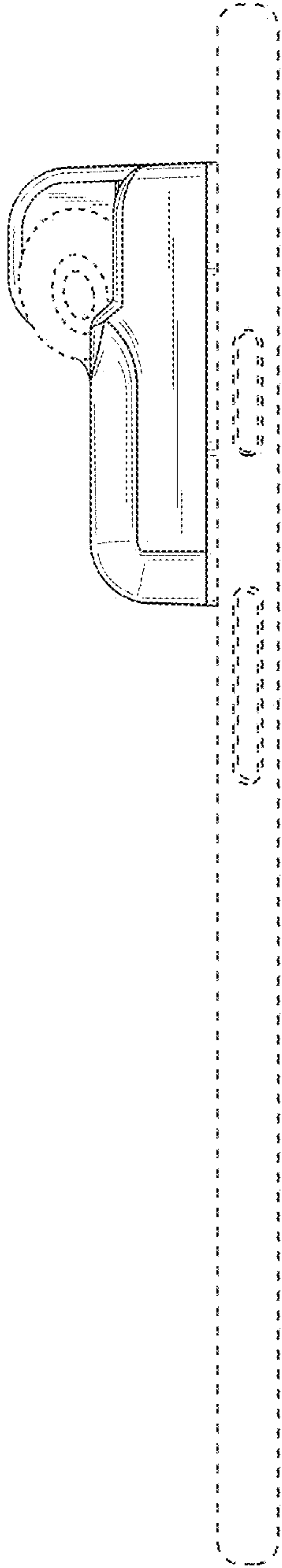


FIG. 12

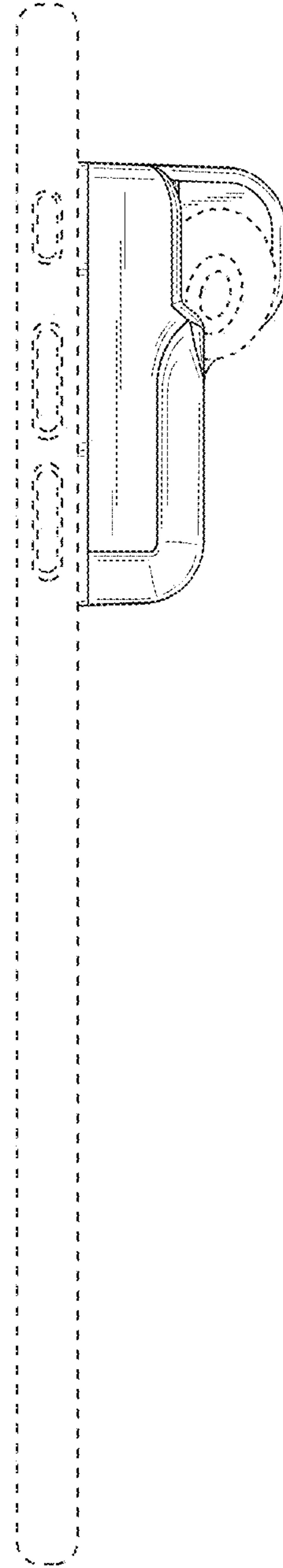
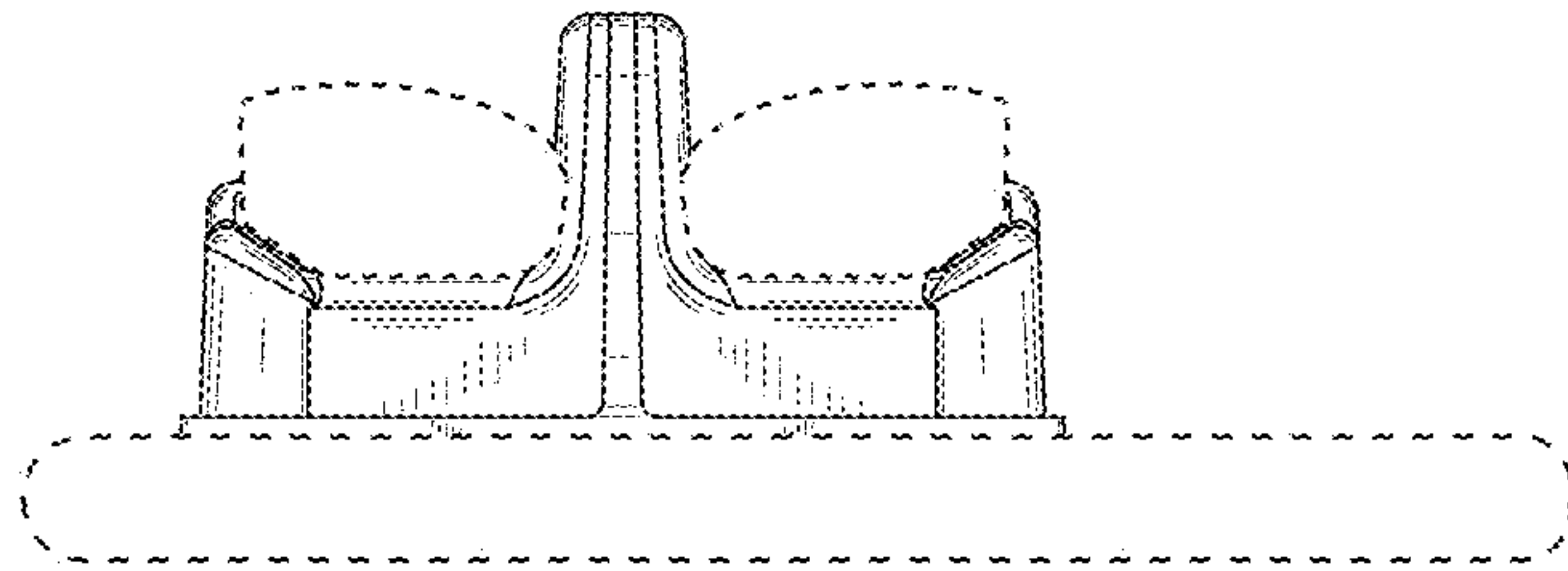
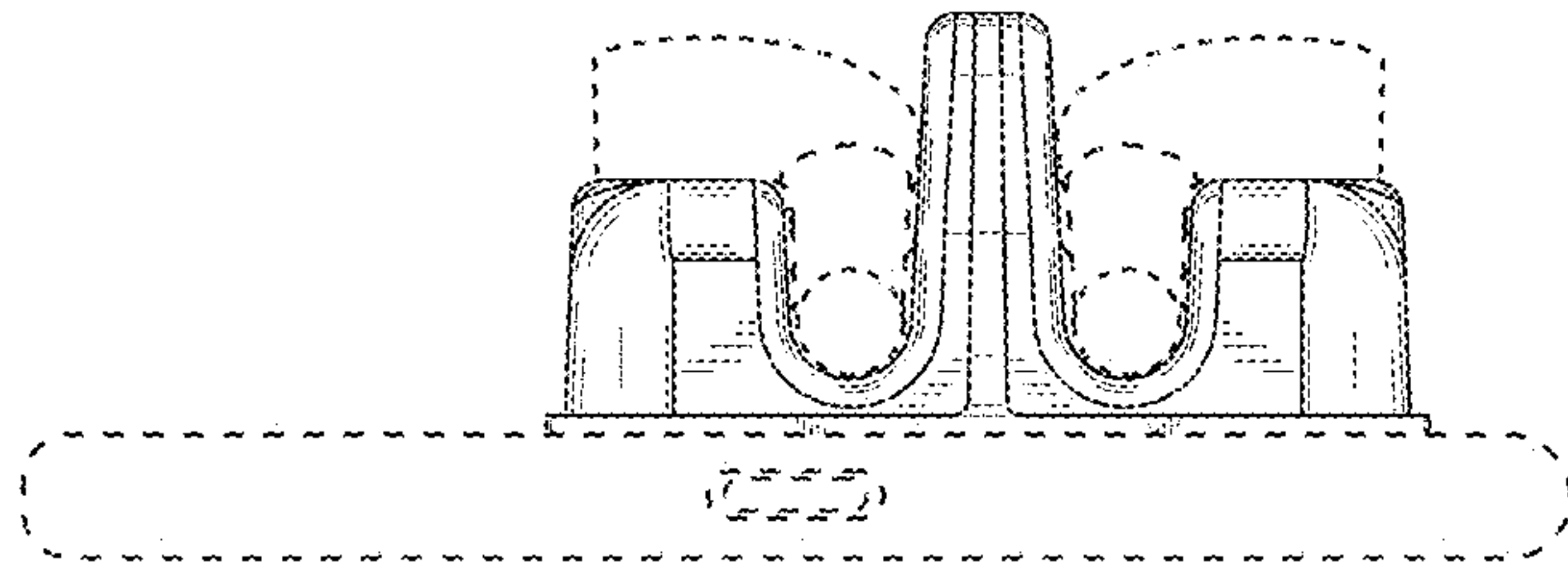


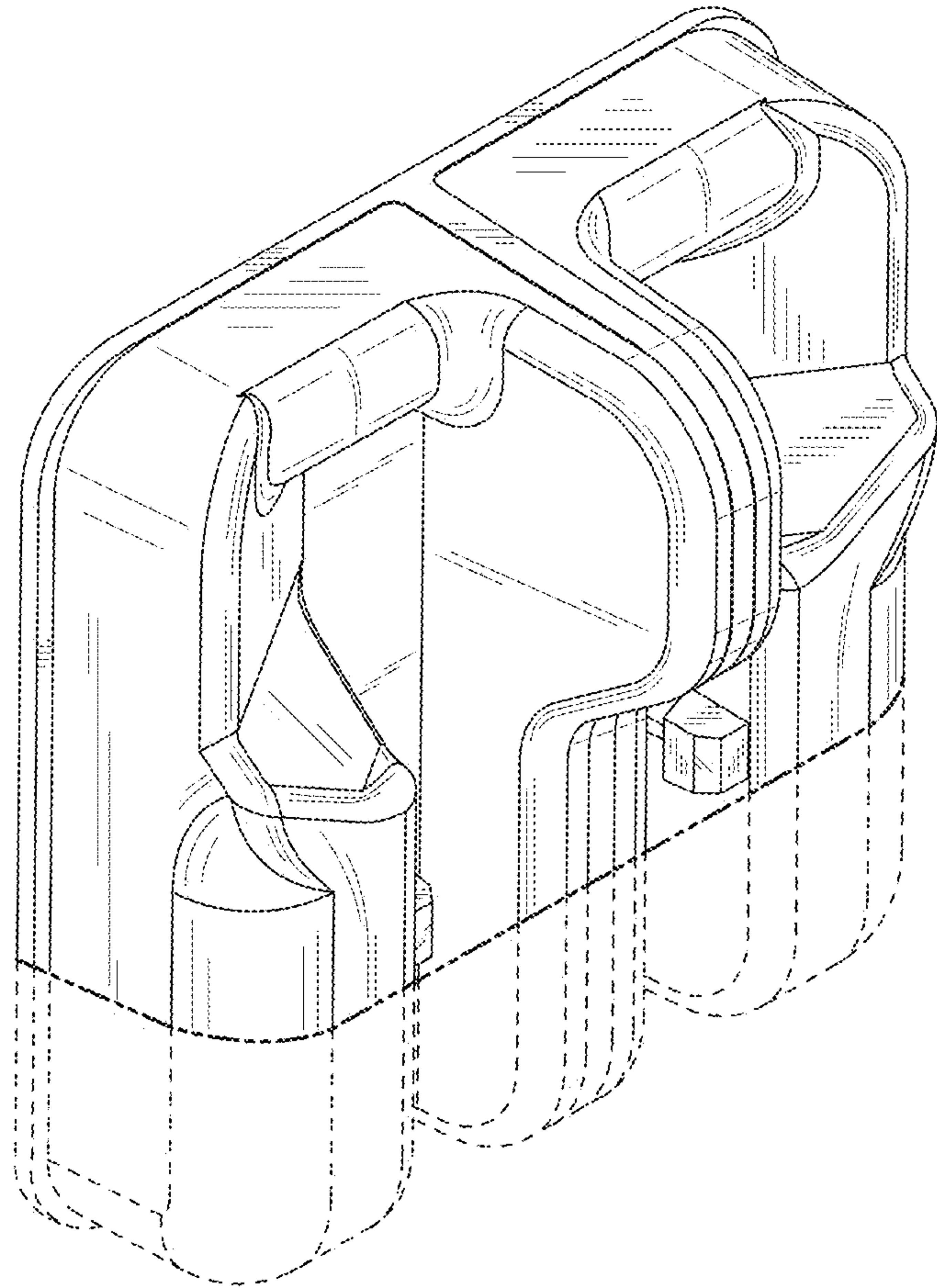
FIG. 13



**FIG. 14**

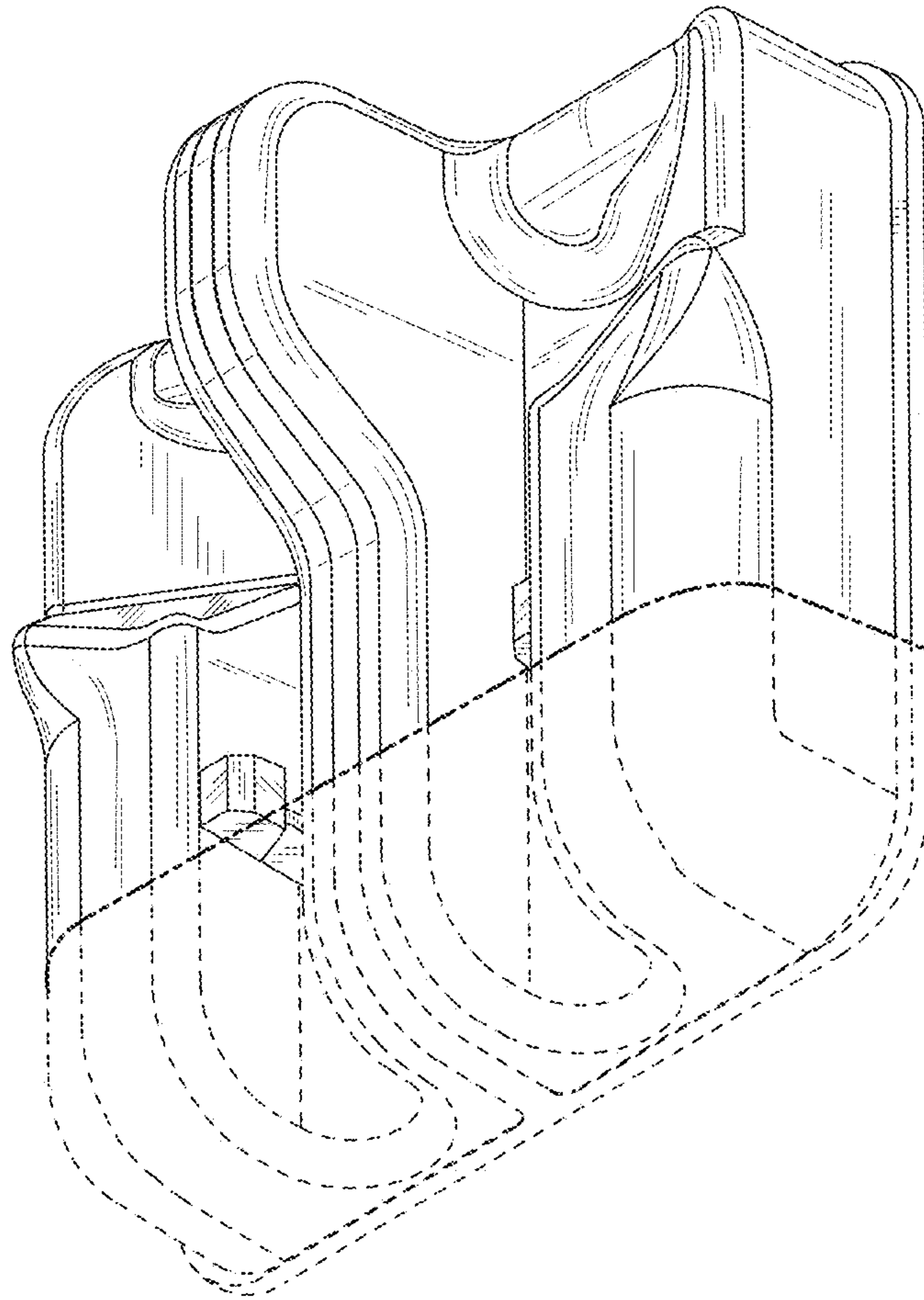


**FIG. 15**

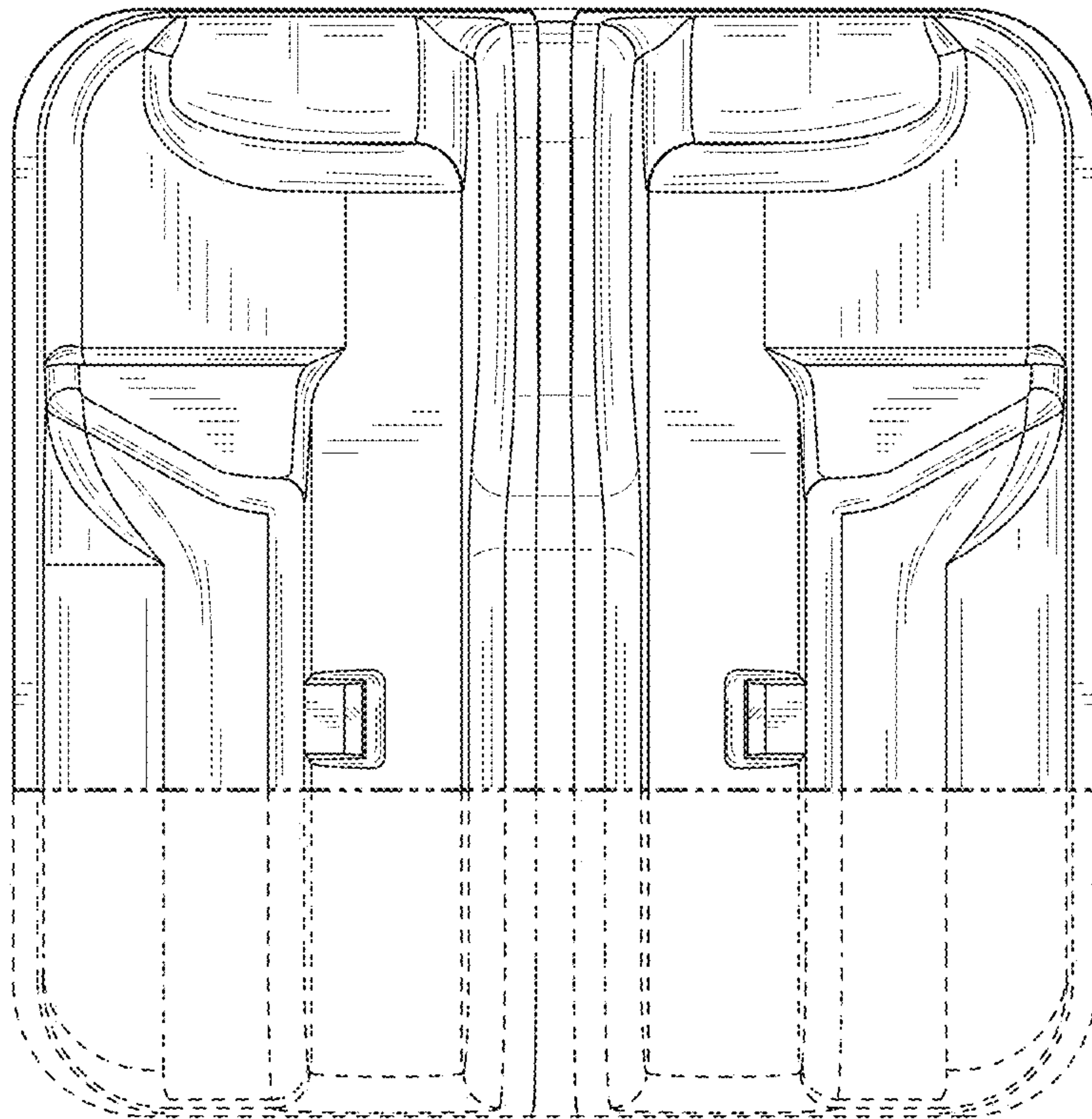


**FIG. 16**

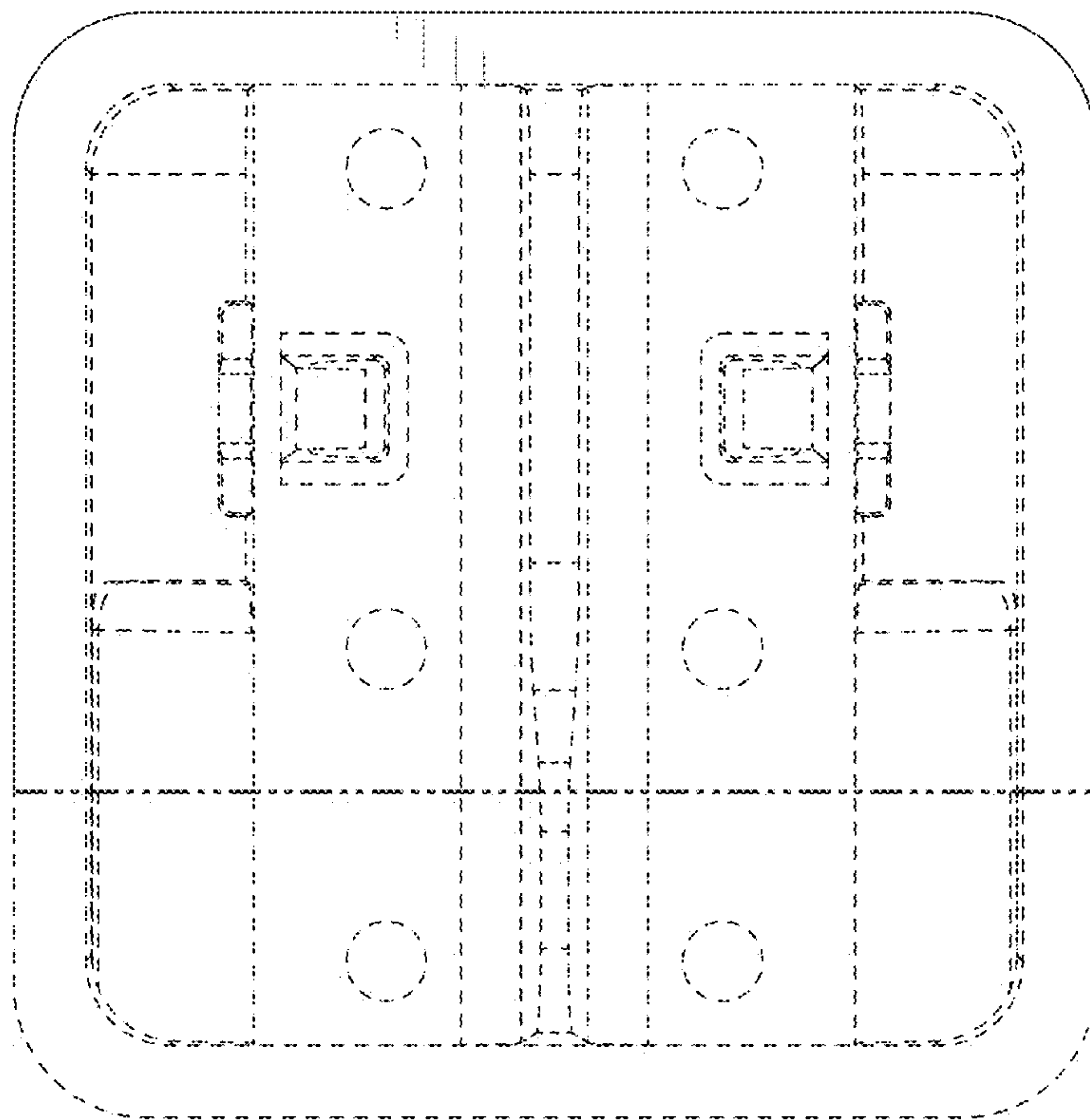




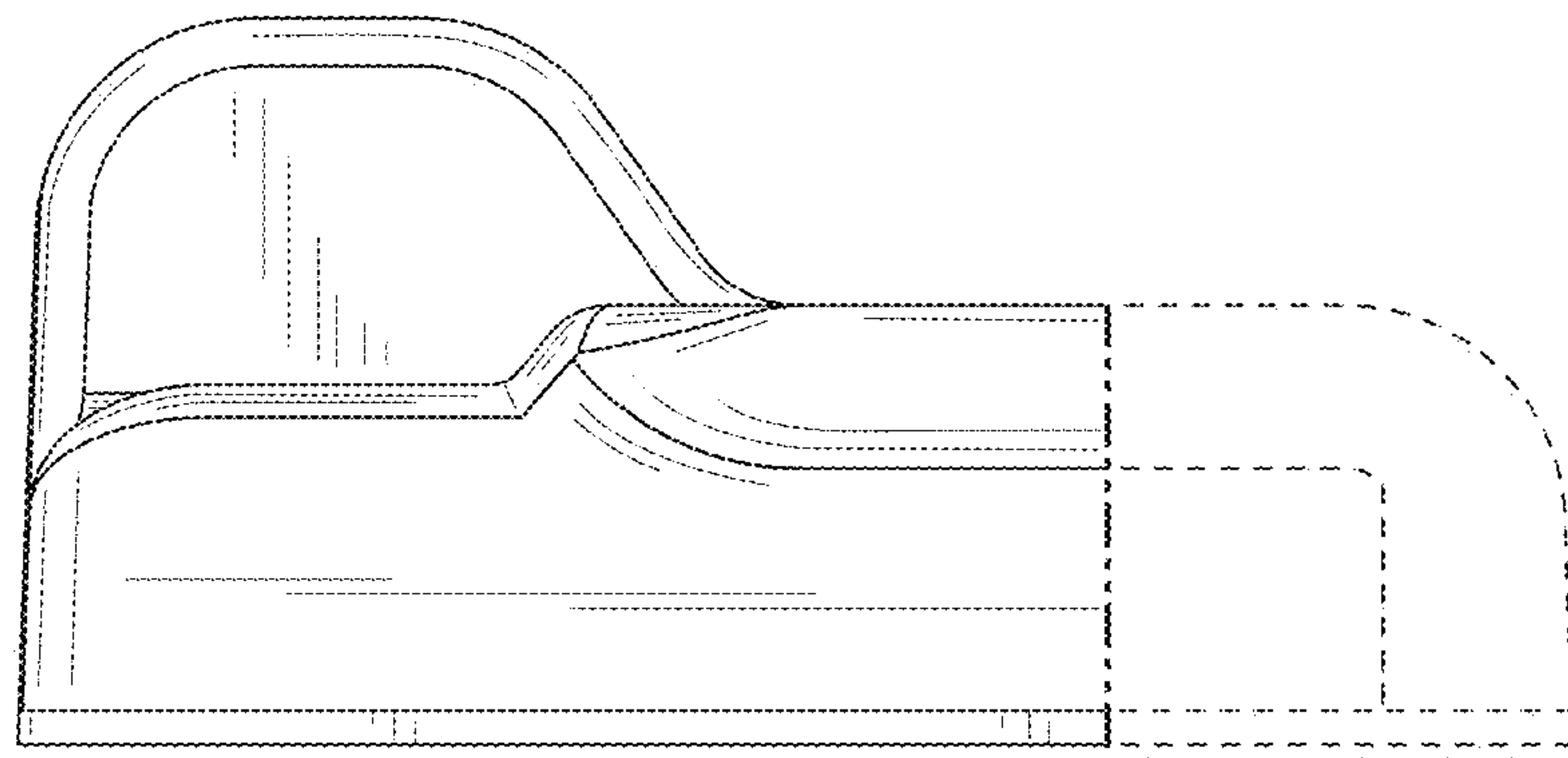
**FIG. 17**



**FIG. 18**

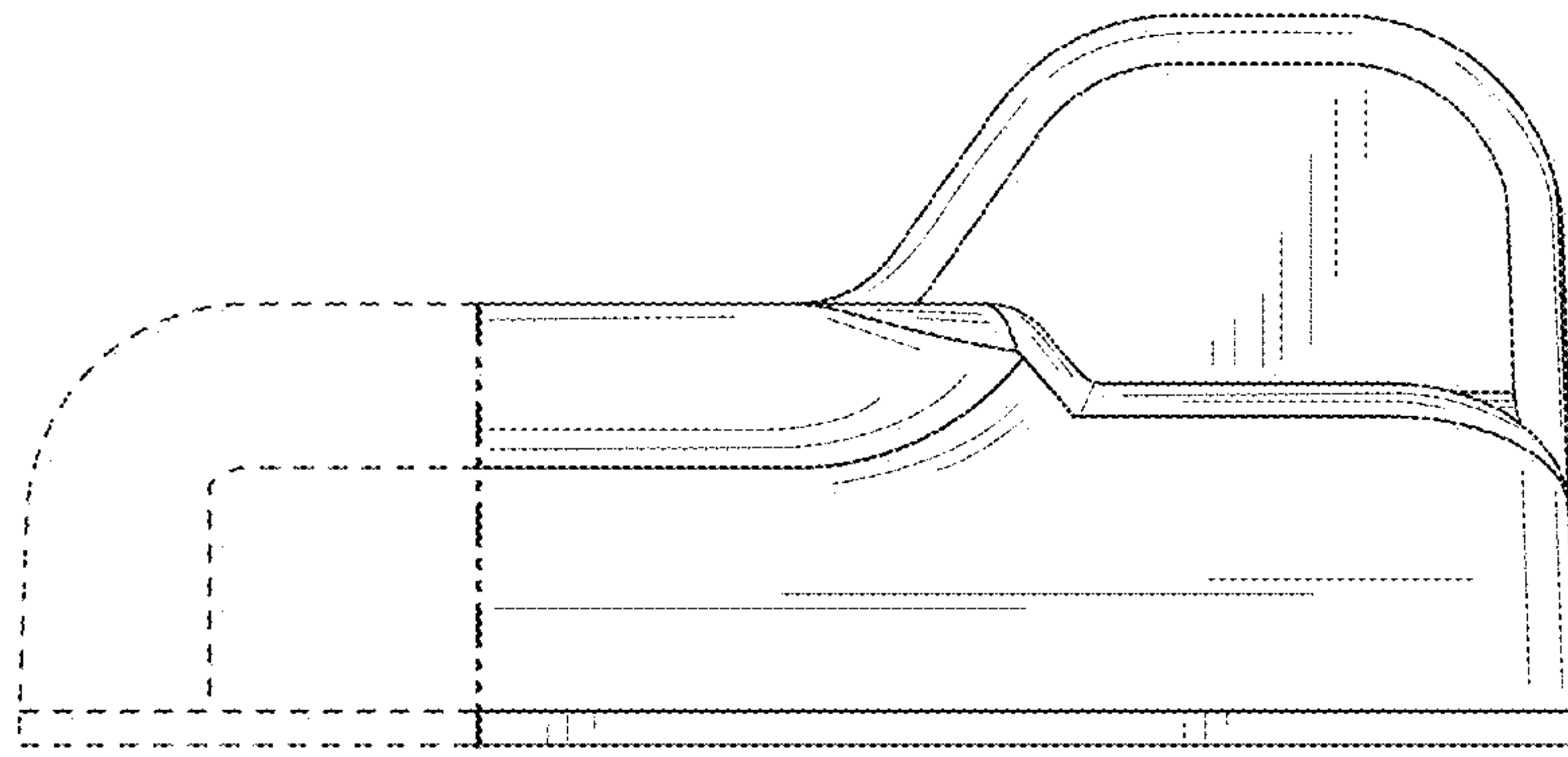


**FIG. 19**

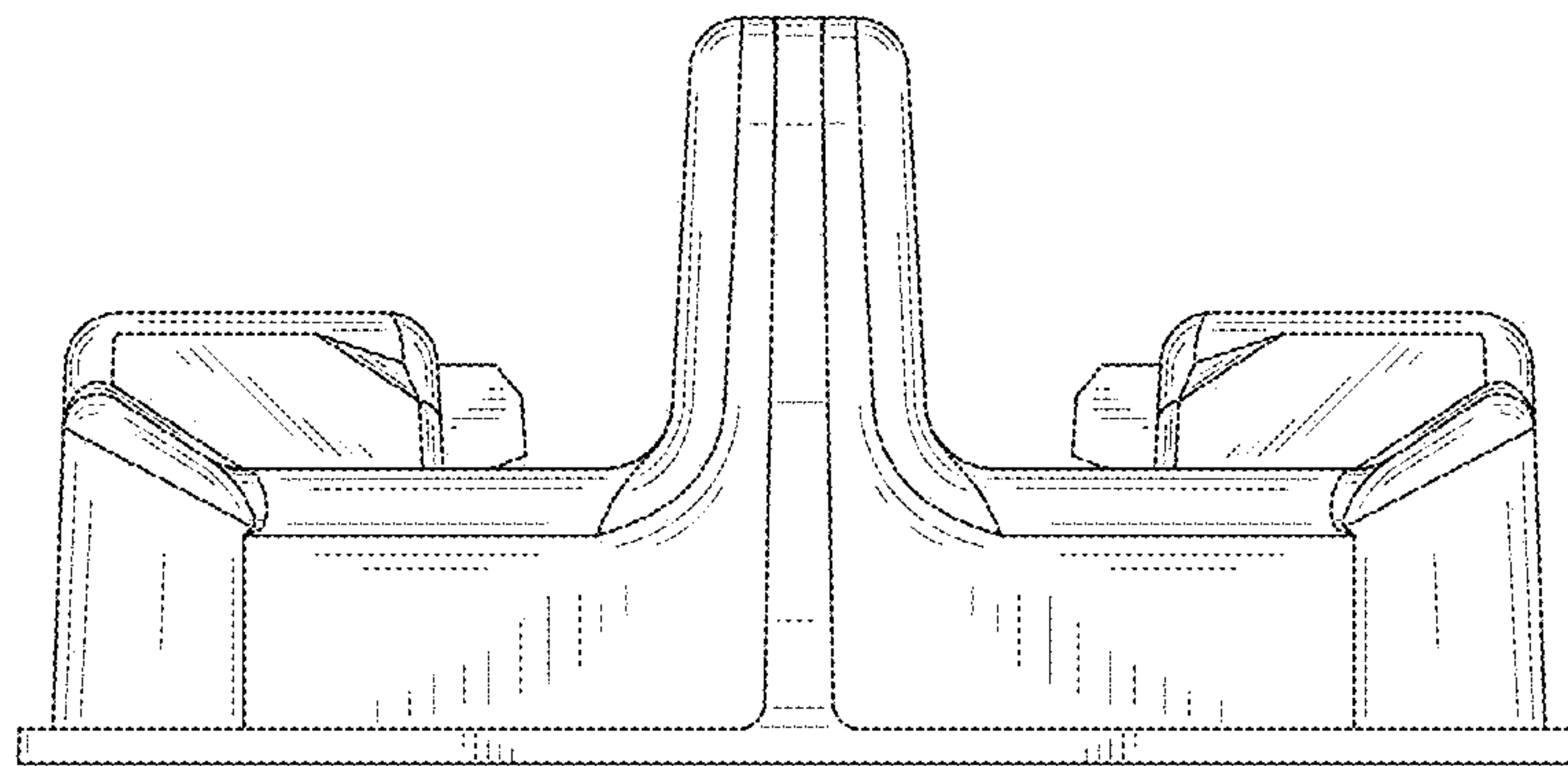


**FIG. 20**

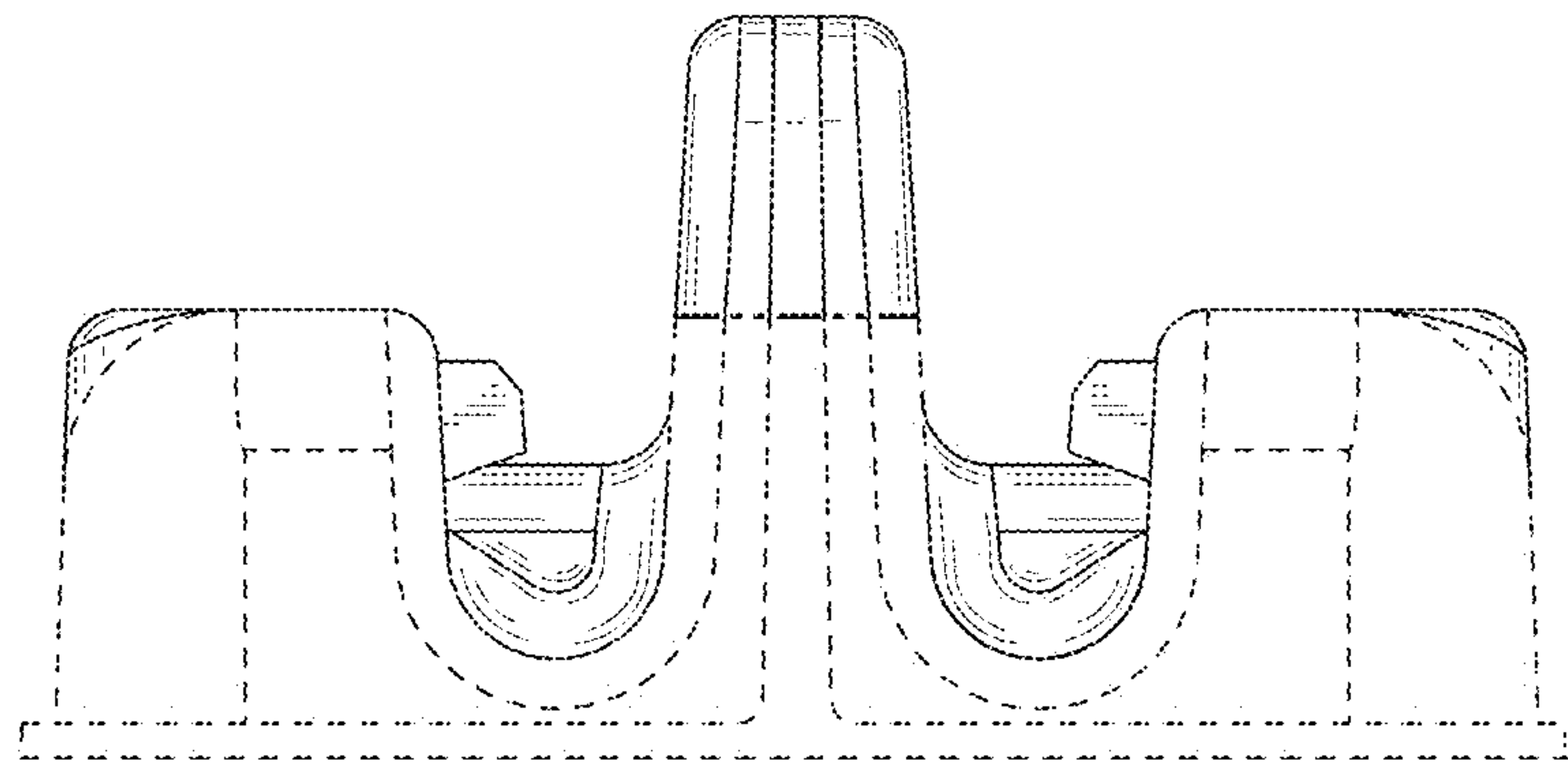




**FIG. 21**



**FIG. 22**



**FIG. 23**