



US00D927475S

(12) **United States Design Patent** (10) **Patent No.:** **US D927,475 S**
Zhang (45) **Date of Patent:** **** Aug. 10, 2021**

- (54) **PHONE CASE**
- (71) Applicant: **Siwei Zhang**, Fuzhou (CN)
- (72) Inventor: **Siwei Zhang**, Fuzhou (CN)
- (**) Term: **15 Years**
- (21) Appl. No.: **29/762,764**
- (22) Filed: **Dec. 18, 2020**
- (51) **LOC (13) Cl.** **14-03**
- (52) **U.S. Cl.**
USPC **D14/250**
- (58) **Field of Classification Search**
USPC D14/203.3–203.7, 439, 251–253, 447,
D14/217, 240, 238.1, 250, 440, 248;
D13/107–108, 103, 119; D3/201, 218,
D3/247, 249, 269, 273, 301, 303
CPC . H04B 1/3888; A45C 13/02; A45C 2011/002;
A45C 1/06; A45C 11/00; A45F 2005/026;
A45F 2200/0525; A45F 2200/0516;
H04M 1/0283; H04M 1/0202
See application file for complete search history.

(56) **References Cited**

U.S. PATENT DOCUMENTS

D528,126 S *	9/2006	Kim	D14/203.3
D589,953 S *	4/2009	Turner	D14/248
D638,006 S *	5/2011	Chang	D14/250
D690,292 S *	9/2013	Bibla	D14/250
D694,742 S *	12/2013	Pan	D14/250
D696,513 S *	12/2013	Louboutin	D3/247
D727,885 S *	4/2015	Requa	D14/250
D737,263 S *	8/2015	Armstrong	D14/250
D762,200 S *	7/2016	Pan	D14/250
D762,202 S *	7/2016	Tseng	D14/250
D763,243 S *	8/2016	Adelman	D14/250
D773,447 S *	12/2016	Taylor	D14/250
D784,311 S *	4/2017	Yoon	D14/248
D812,600 S *	3/2018	Altaras	D14/250

D813,217 S *	3/2018	Kim	D14/250
D816,653 S *	5/2018	Yu	D14/250
D816,654 S *	5/2018	Chen	D14/250
D831,636 S *	10/2018	Zhu	D14/250
D834,808 S *	12/2018	Burton	D3/232
D838,264 S	1/2019	Wright et al.	
D840,991 S *	2/2019	Kim	D14/250
D841,640 S *	2/2019	Huang	D14/250
D842,286 S *	3/2019	Weaver	D14/250
D845,292 S *	4/2019	Fitzgerald	D14/250
D852,178 S *	6/2019	Batta	D14/250
D857,682 S *	8/2019	Wang	D14/250
D863,278 S *	10/2019	Ravid	D14/250
D868,765 S *	12/2019	Batta	D14/250
D875,726 S *	2/2020	Weng	D14/250

(Continued)

Primary Examiner — Carla J Wright

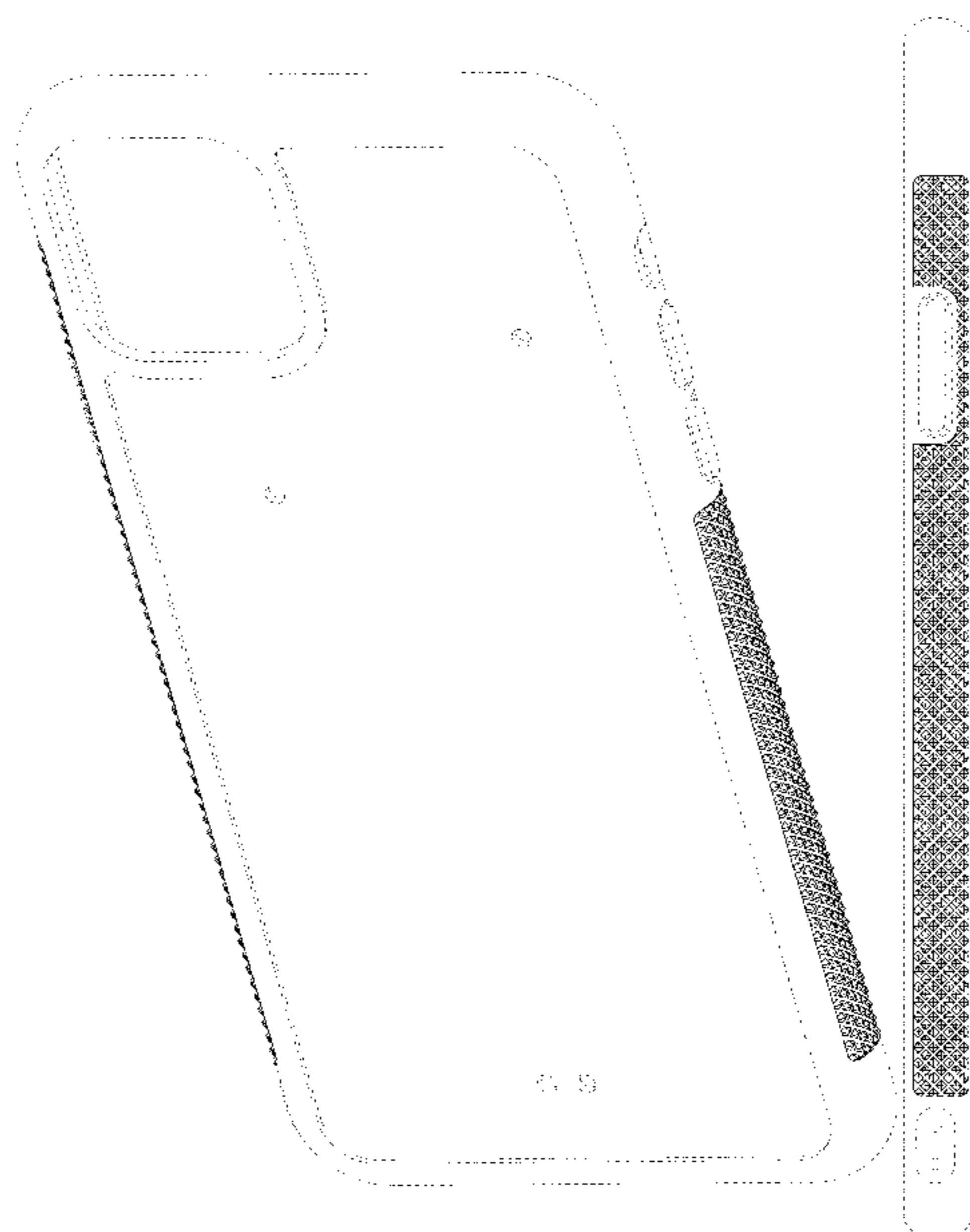
(57) **CLAIM**

The ornamental design for a phone case, as shown and described.

DESCRIPTION

FIG. 1 is a front, right-side, and bottom perspective view of a phone case showing my new design;
 FIG. 2 is a rear, left-side, and top perspective view thereof;
 FIG. 3 is a front elevational view thereof;
 FIG. 4 is a rear elevational view thereof;
 FIG. 5 is a left side elevational view thereof;
 FIG. 6 is a right side elevational view thereof;
 FIG. 7 is a top plan view thereof;
 FIG. 8 is a bottom plan view thereof; and,
 FIG. 9 is an enlarged view of portion 9 shown in FIG. 1.
 The dot-dash broken lines in FIGS. 1 and 9 delineate a portion of the phone case that includes claimed subject matter and that is shown on an enlarged scale in FIG. 9. The dash-dash broken lines in FIGS. 1-8 depict portions of the phone case that form no part of the claimed design. The broken lines form no part of the claimed design.

1 Claim, 9 Drawing Sheets



(56)

References Cited

U.S. PATENT DOCUMENTS

D898,016 S *	10/2020	Liang	D14/250
D903,646 S	12/2020	Huang	
D903,648 S *	12/2020	Kim	D14/250
D903,650 S *	12/2020	Huang	D14/250
2012/0261289 A1 *	10/2012	Wyner	A45C 11/00 206/320

* cited by examiner

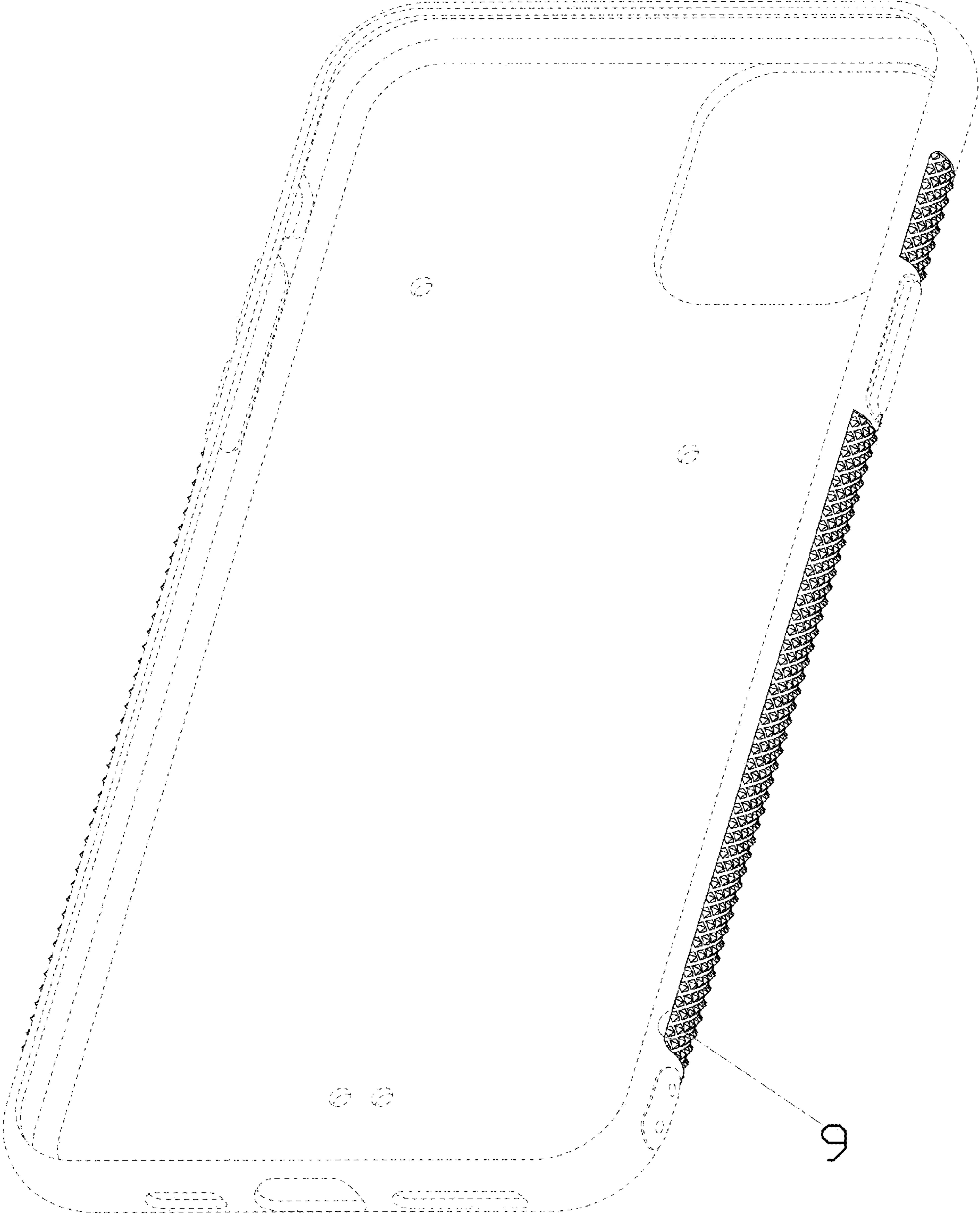


FIG. 1

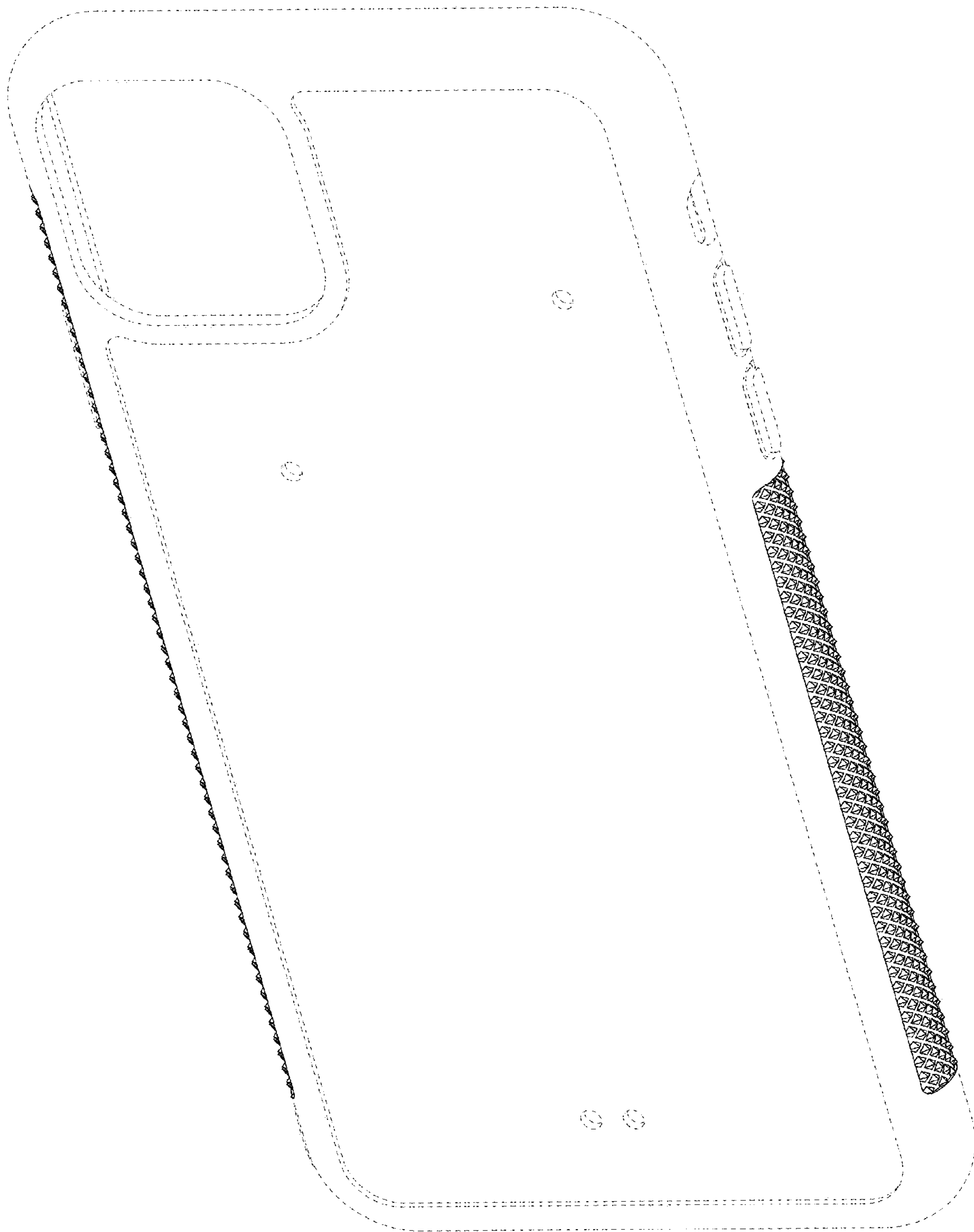


FIG. 2

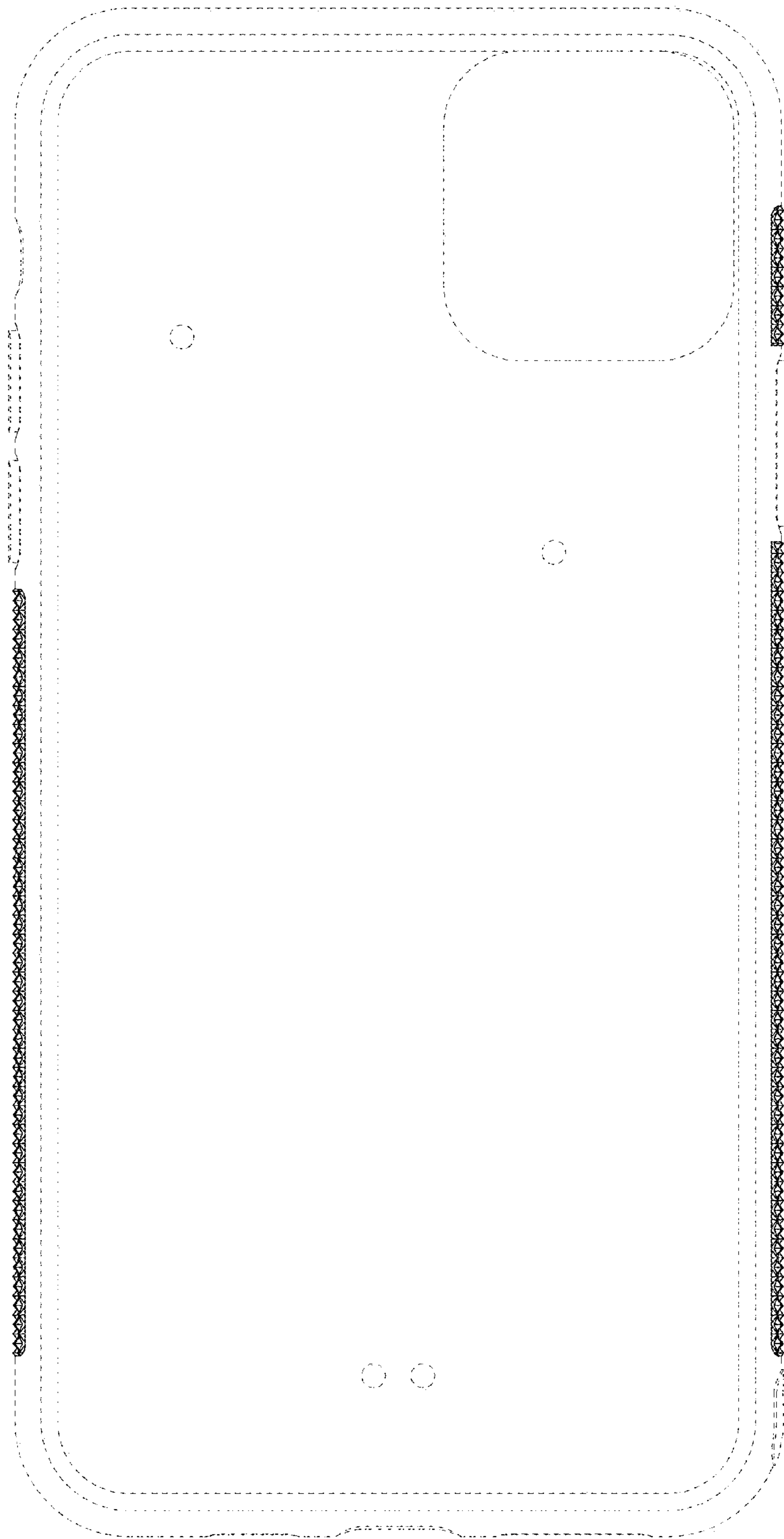


FIG. 3

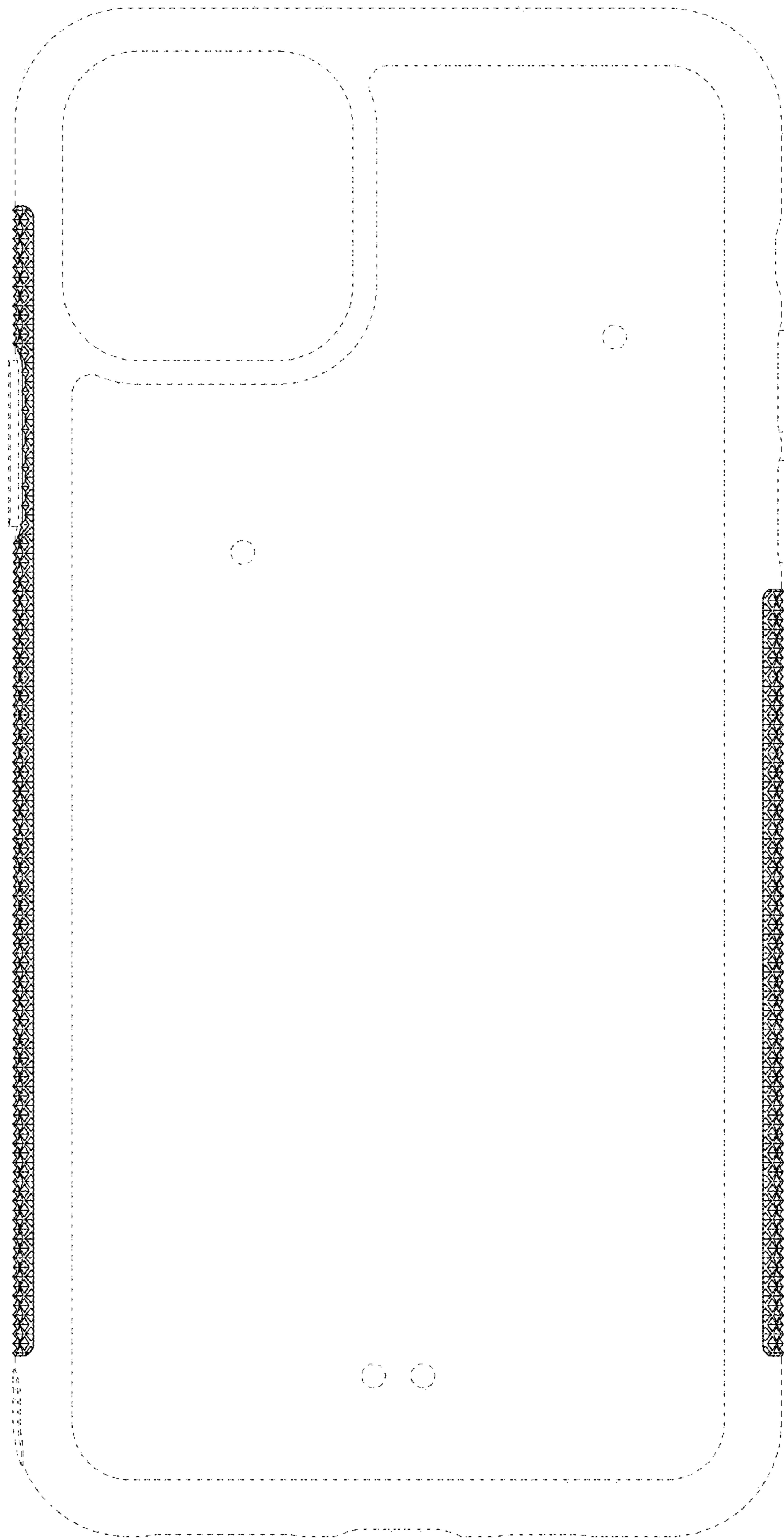


FIG. 4

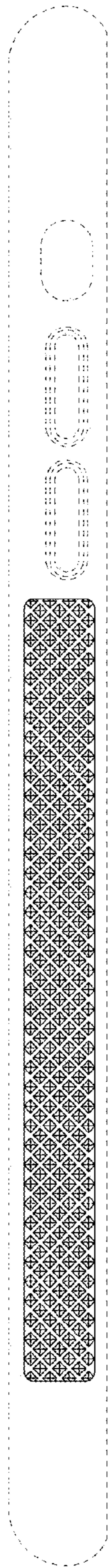


FIG. 5

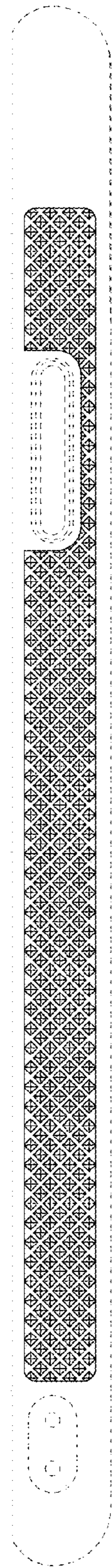


FIG. 6



FIG. 7

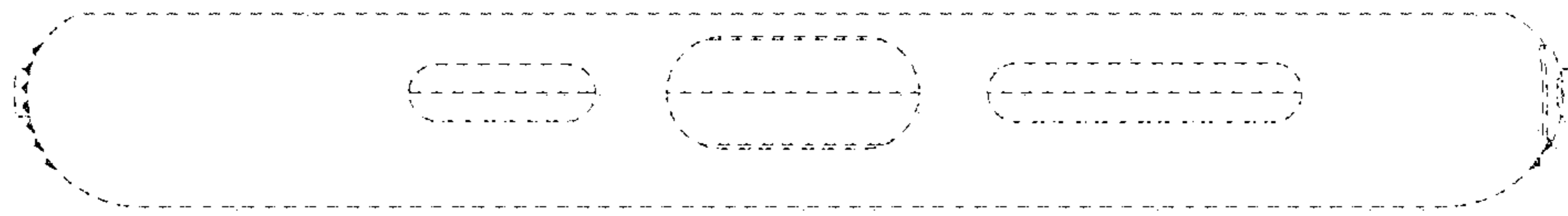


FIG. 8

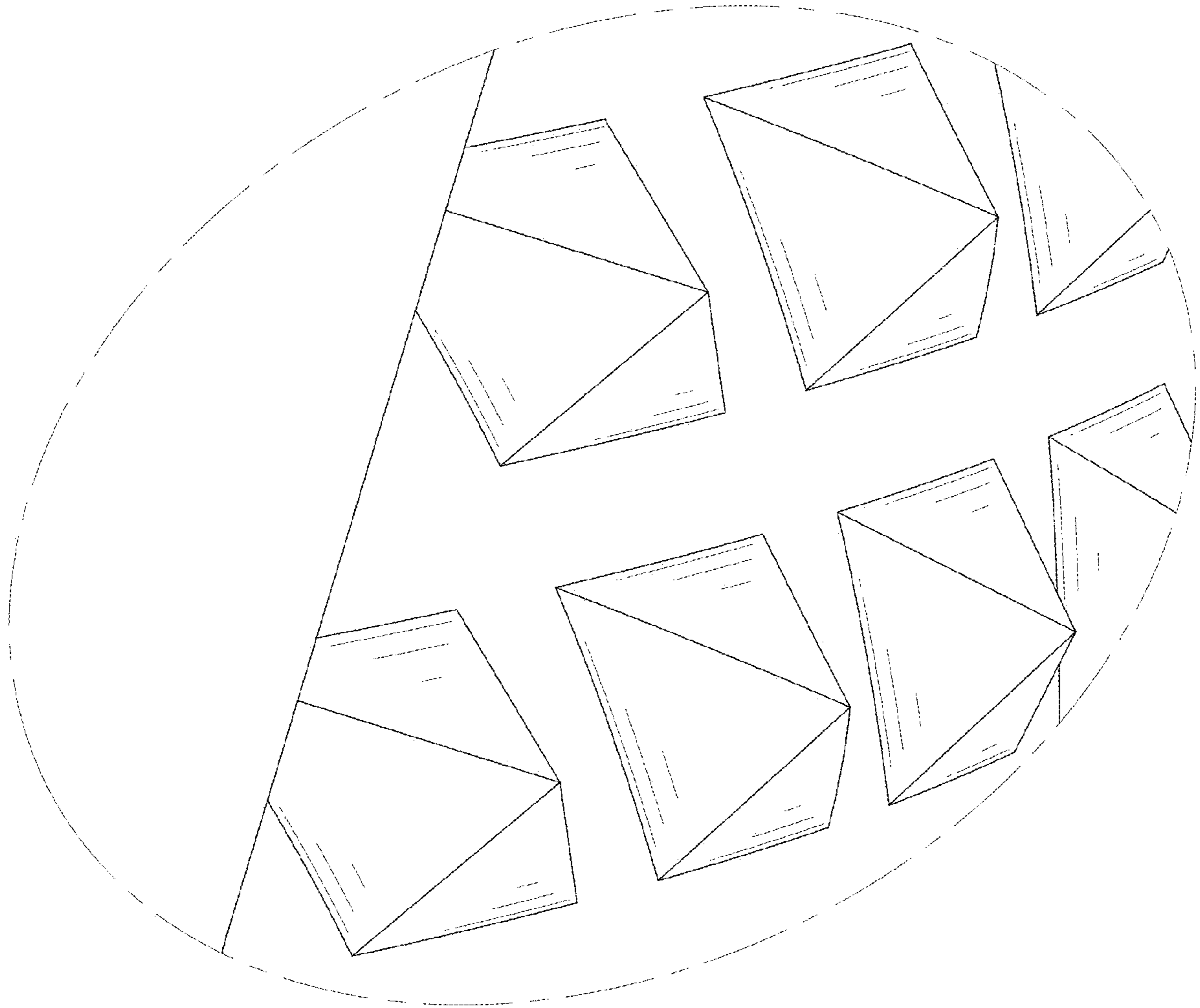


FIG. 9