



US00D927474S

(12) **United States Design Patent** (10) **Patent No.:** **US D927,474 S**
He (45) **Date of Patent:** **** Aug. 10, 2021**

(54) **MOBILE PHONE CASE**
(71) Applicant: **Wenhui He**, Guangdong (CN)
(72) Inventor: **Wenhui He**, Guangdong (CN)
(**) Term: **15 Years**

(21) Appl. No.: **29/724,133**

(22) Filed: **Feb. 12, 2020**

(30) **Foreign Application Priority Data**

Aug. 14, 2019 (CN) 201930442234.5

(51) **LOC (13) Cl.** **14-03**

(52) **U.S. Cl.**
USPC **D14/250**

(58) **Field of Classification Search**
USPC D14/203.3–203.7, 439, 251–253, 447,
D14/217, 240, 238.1, 250, 440, 248;
D13/107–108, 103, 119; D3/201, 218,
D3/247, 249, 269, 273, 301, 303
CPC . H04B 1/3888; A45C 13/02; A45C 2011/002;
A45C 1/06; A45C 11/00; A45F 2005/026;
A45F 2200/0525; A45F 2200/0516;
H04M 1/0283; H04M 1/0202
See application file for complete search history.

(56) **References Cited**

U.S. PATENT DOCUMENTS

D643,433 S * 8/2011 Hsieh D14/440
D656,135 S * 3/2012 Swartz D14/250
D674,393 S * 1/2013 Behar D14/440
D684,150 S * 6/2013 Goradesky D14/250
D684,357 S * 6/2013 Pegg D3/218
D685,361 S * 7/2013 Goradesky D14/250
D687,026 S * 7/2013 Ruvolo D14/250
D688,655 S * 8/2013 Rey-Hipolito D14/250
D691,991 S * 10/2013 Mohan D14/250
D711,866 S * 8/2014 Kawata D14/250

D712,389 S * 9/2014 Namminga D14/250
D724,310 S * 3/2015 Dong D3/218
D726,174 S * 4/2015 Wahlin D14/250
D728,548 S * 5/2015 Keung D14/250
D750,610 S * 3/2016 Chen D14/250
D779,471 S * 2/2017 Tien D14/250
D780,742 S * 3/2017 Guerdrum D14/250
D783,588 S * 4/2017 Chang D14/250

(Continued)

Primary Examiner — Carla J Wright

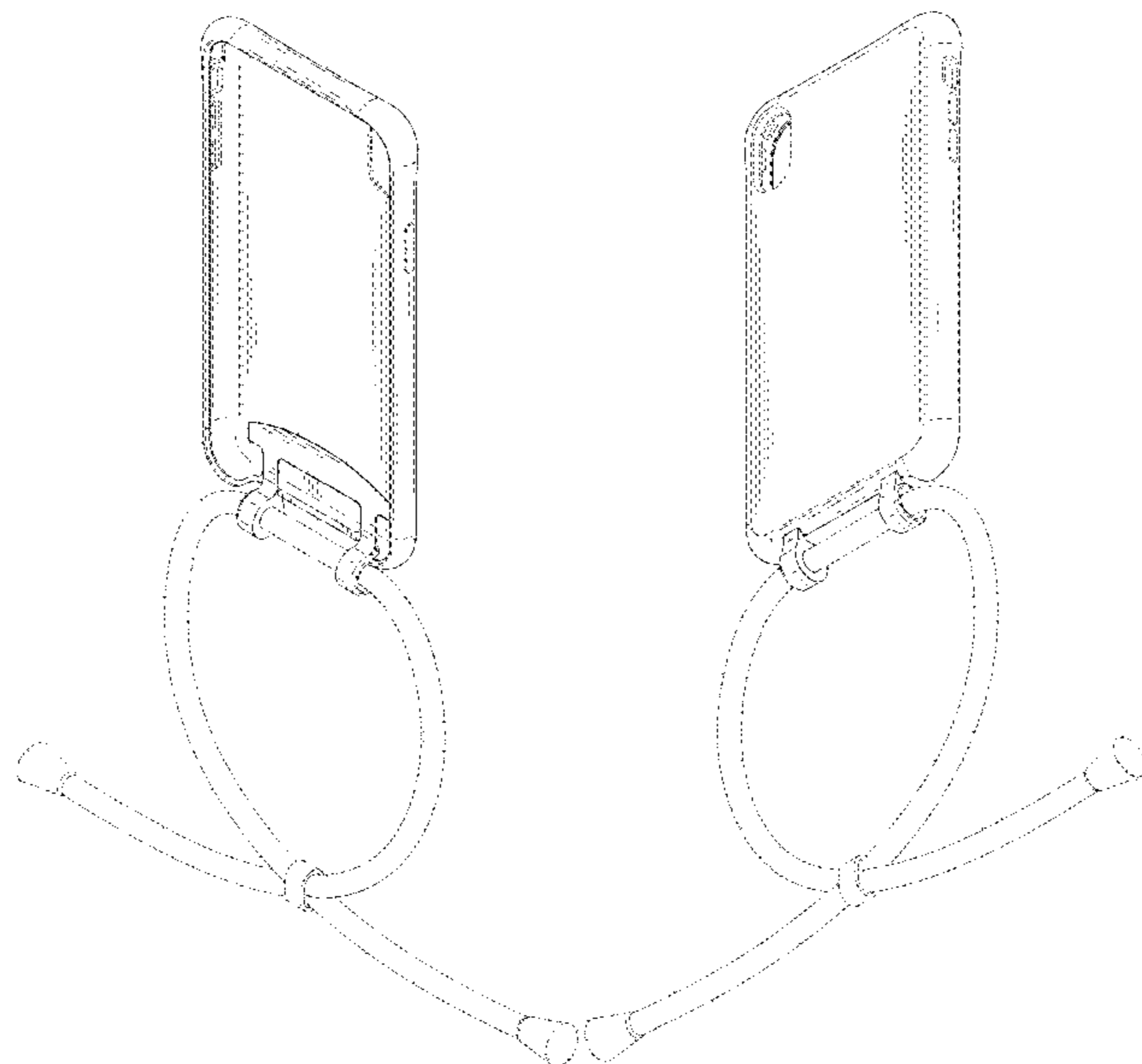
(57) **CLAIM**

The ornamental design for a mobile phone case, as shown and described.

DESCRIPTION

FIG. 1 is a top, front and right side perspective view of a mobile phone case showing my new design;
FIG. 2 is a bottom, rear and left side perspective view thereof;
FIG. 3 is a front elevational view thereof;
FIG. 4 is a rear elevational view thereof;
FIG. 5 is a left side view thereof;
FIG. 6 is a right side view thereof;
FIG. 7 is a top plan view thereof;
FIG. 8 is a bottom plan view thereof; and,
FIG. 9 is an exploded front, top, and right-side perspective view showing the components of the mobile phone case separated for clarity of disclosure.
For clarity of disclosure, the components of the mobile phone case are shown separated in FIG. 9. Although the mobile phone case, in which claimed design is embodied, consists of two separable components, the claim is directed to the overall ornamental appearance of the case in its entirety and does not extend to the ornamental appearance of each of the individual components in isolation.
The broken lines in the drawings illustrate portions of the mobile phone case or environmental subject matters which form no part of the claimed design.

1 Claim, 9 Drawing Sheets



(56)

References Cited

U.S. PATENT DOCUMENTS

D807,869	S *	1/2018	Petersen	D14/250
D810,729	S *	2/2018	Ballou	D14/250
D823,289	S *	7/2018	Akana	D14/250
D823,836	S *	7/2018	Eaton	D14/229
D837,781	S *	1/2019	Ingram	D14/250
D839,254	S *	1/2019	Nazar	D14/250
D839,859	S *	2/2019	Zhang	D14/250
D841,638	S *	2/2019	Jackson	D14/250
D851,080	S *	6/2019	Wei	D14/250
D852,186	S *	6/2019	Yu	D14/250
10,413,028	B2 *	9/2019	Wang	H04B 1/3888
D863,281	S *	10/2019	Liu	D14/250
D881,897	S *	4/2020	Taylor	D14/447
D894,165	S *	8/2020	Jahnz	D14/250
2012/0110868	A1 *	5/2012	Abbondanzio	B29C 63/02 33/645
2013/0148271	A1 *	6/2013	Huang	A45F 5/00 361/679.01
2013/0184033	A1 *	7/2013	Willenborg	F16M 13/04 455/557

* cited by examiner

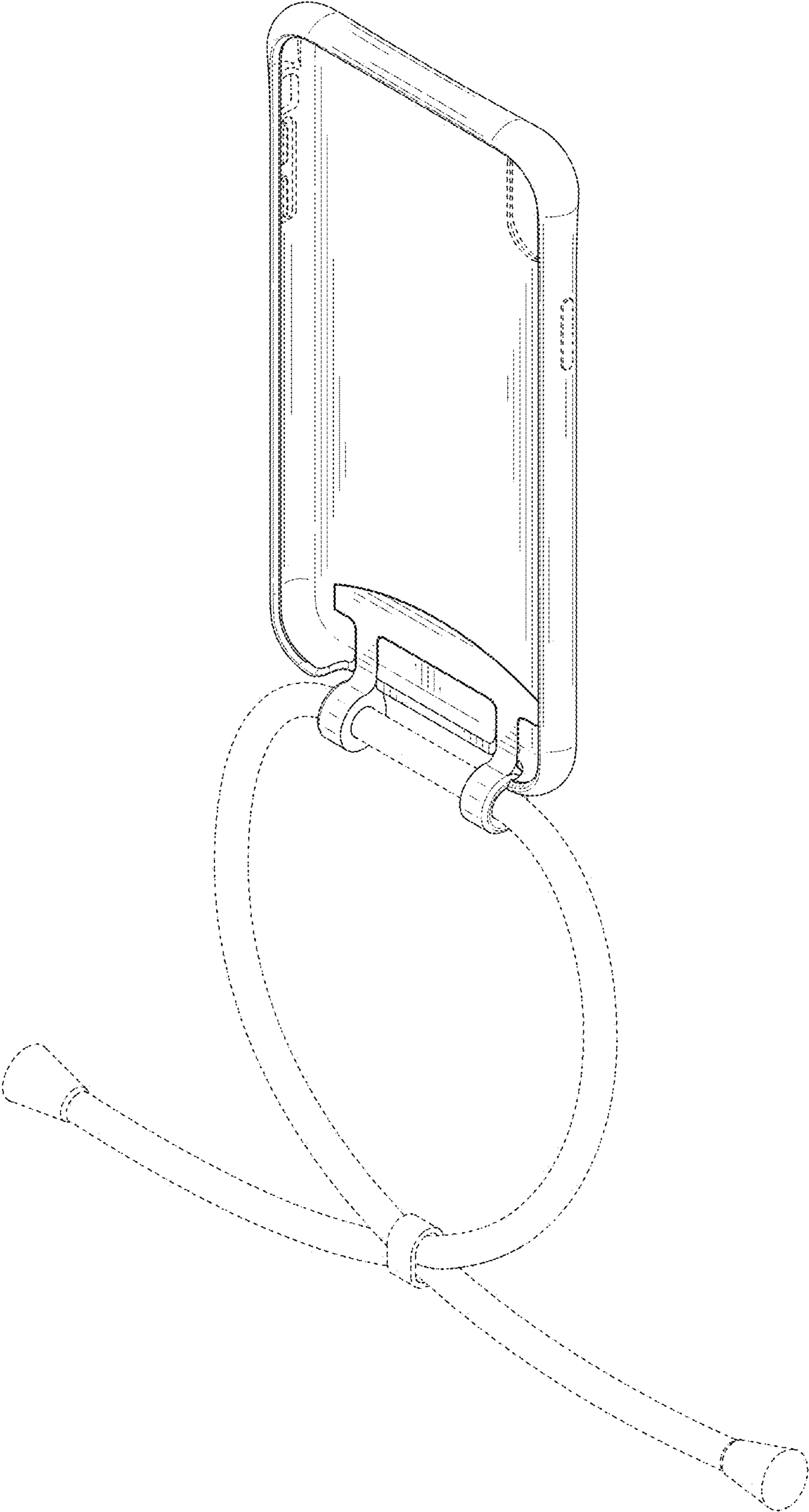


FIG. 1

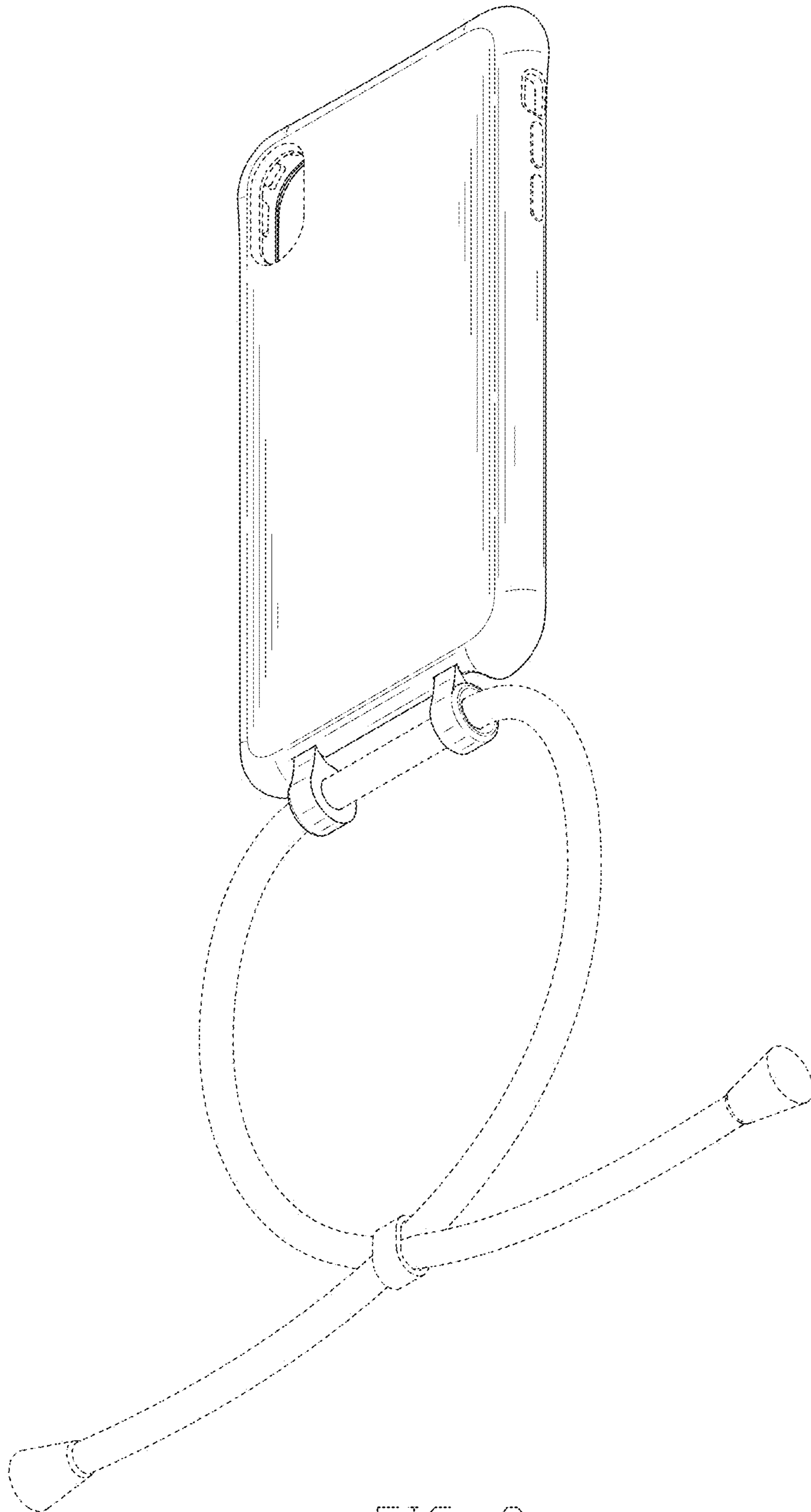


FIG. 2

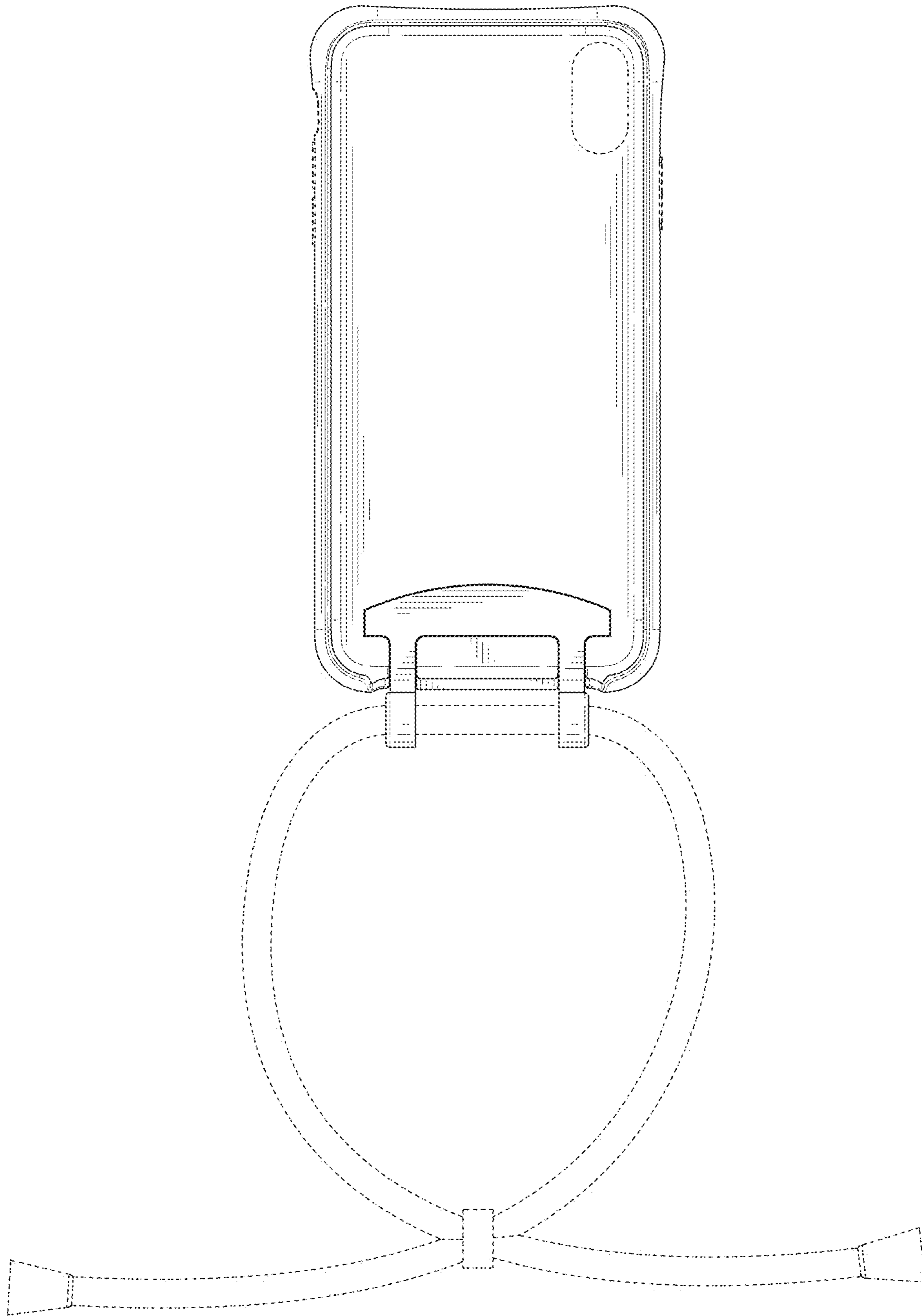


FIG. 3

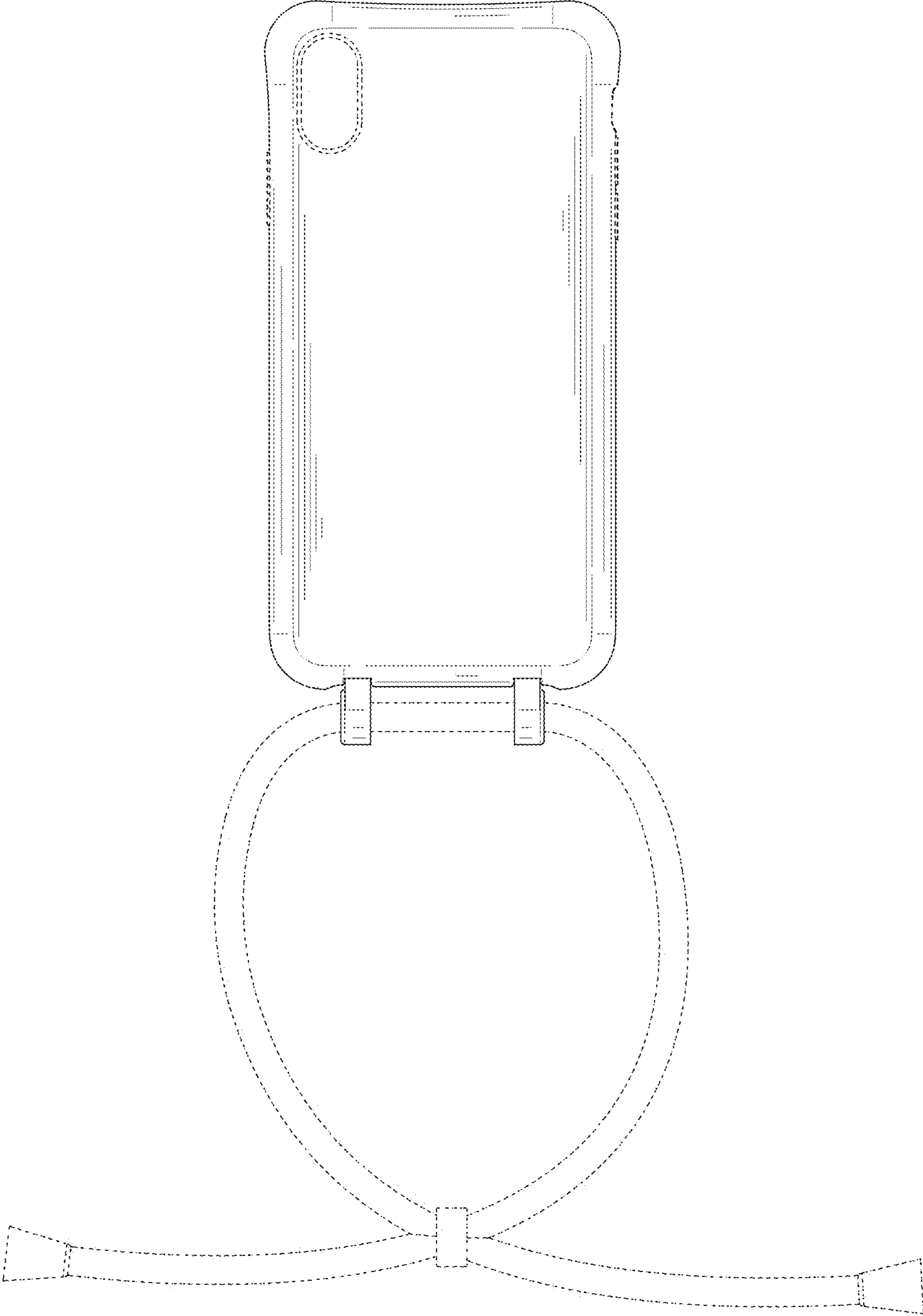


FIG. 4

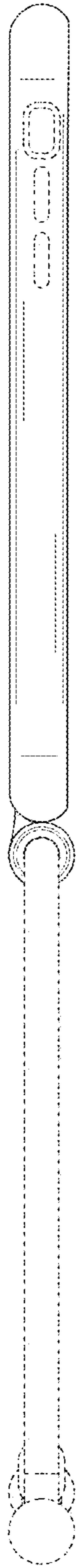


FIG. 5

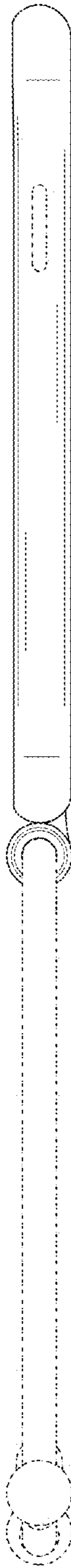


FIG. 6

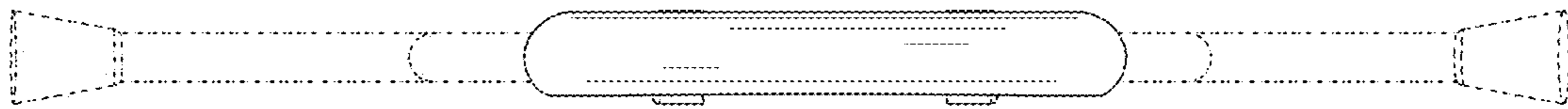


FIG. 7

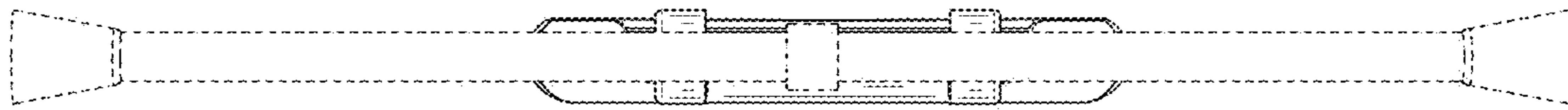


FIG. 8

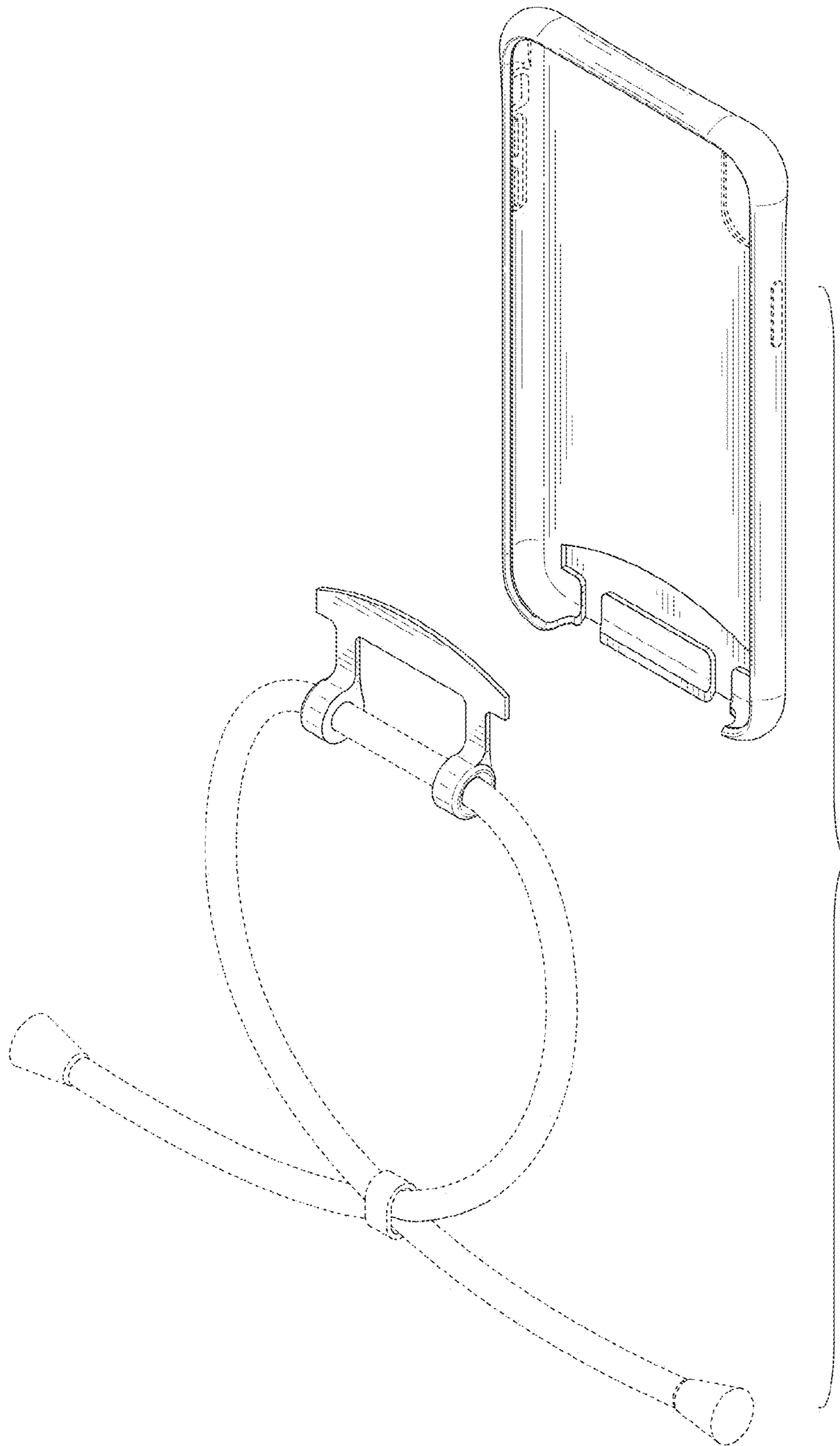


FIG. 9