



US00D927467S

(12) **United States Design Patent** (10) **Patent No.:** **US D927,467 S**
Zhou (45) **Date of Patent:** **** Aug. 10, 2021**

(54) **TV ANTENNA**
(71) Applicant: **Zhicheng Zhou**, Shenzhen (CN)
(72) Inventor: **Zhicheng Zhou**, Shenzhen (CN)
(**) Term: **15 Years**
(21) Appl. No.: **29/701,338**
(22) Filed: **Aug. 9, 2019**
(51) **LOC (13) Cl.** **14-03**
(52) **U.S. Cl.**
USPC **D14/230**
(58) **Field of Classification Search**
USPC D14/138, 230-238, 299, 358; D12/42,
D12/43
CPC H01Q 7/00; H01Q 13/10; H01Q 9/285;
H01Q 19/30; H01Q 19/12; H01Q 1/38;
H01Q 1/36; H04B 1/0475; H04B 1/034;
H05K 11/00
See application file for complete search history.

(56) **References Cited**

U.S. PATENT DOCUMENTS

D318,673 S * 7/1991 Terk D14/230
D332,262 S * 1/1993 Borchardt D14/230
D345,564 S * 3/1994 Kadono D14/230
5,467,477 A * 11/1995 Furuta H01Q 1/1257
16/297
D619,140 S * 7/2010 Sin D14/480.6
D664,126 S * 7/2012 Feit D14/230
D687,484 S * 8/2013 Eun D18/4.6
D716,296 S * 10/2014 Drew D14/353
D733,788 S * 7/2015 Baker D16/237
D746,279 S * 12/2015 Bajwa D14/341

D758,999 S * 6/2016 Matsuoka D14/230
D760,705 S * 7/2016 Matsuoka D14/230
D760,719 S * 7/2016 Zhou D14/420
D773,948 S * 12/2016 Schneid D10/106.2
D788,085 S * 5/2017 Matsuoka D14/230
D798,861 S * 10/2017 Wieser D14/358
D799,479 S * 10/2017 Wieser D14/358
D818,809 S * 5/2018 Hetrick D8/394
D894,180 S * 8/2020 Yang D14/348

* cited by examiner

Primary Examiner — John Windmuller

(74) *Attorney, Agent, or Firm* — Xuan Zhang

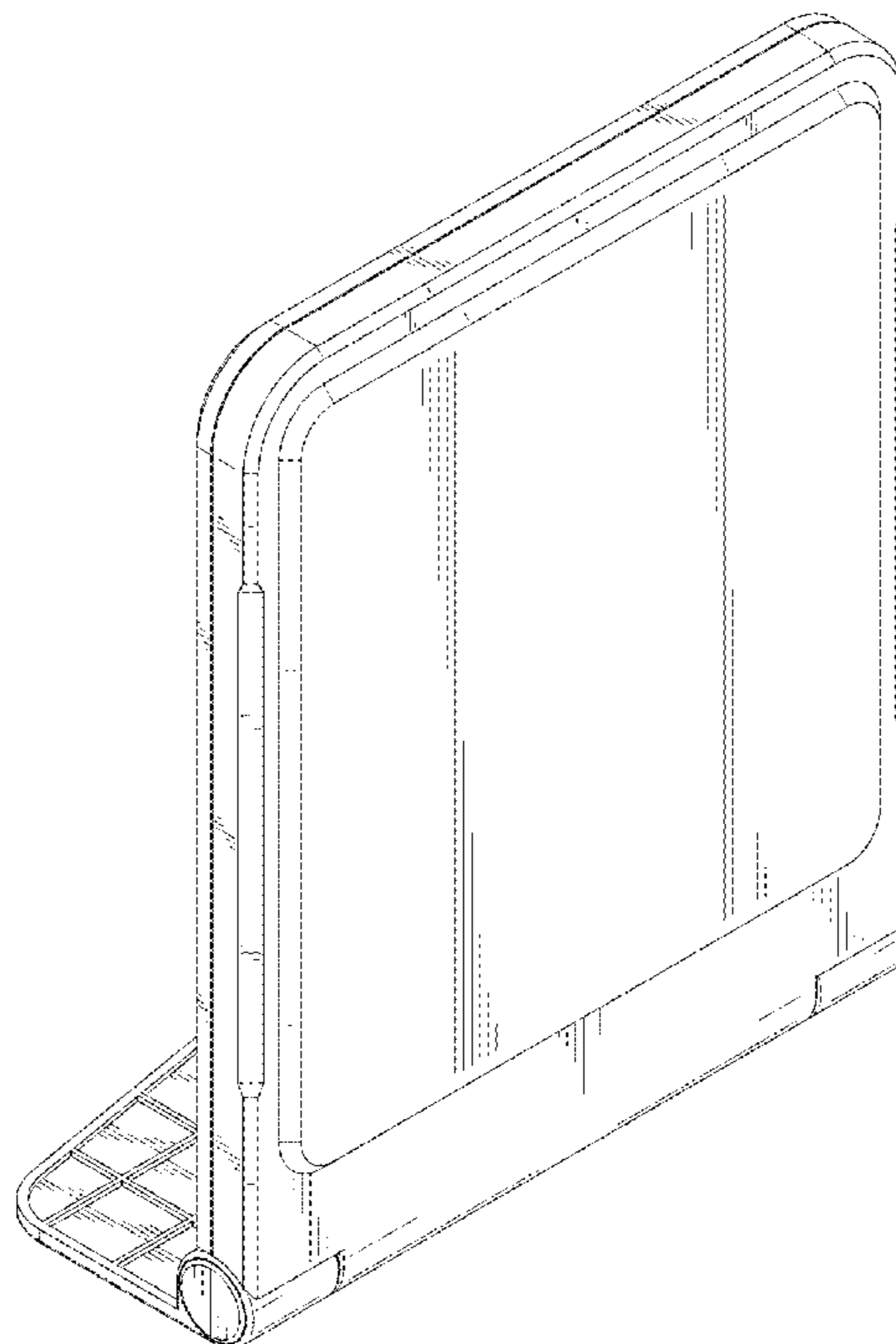
(57) **CLAIM**

The ornamental design for a TV antenna, as shown and described.

DESCRIPTION

FIG. 1 is a front perspective view a TV antenna showing my new design;
FIG. 2 is a front elevation view thereof;
FIG. 3 is a rear elevation view thereof;
FIG. 4 is a left side elevation view thereof;
FIG. 5 is a right side elevation view thereof;
FIG. 6 is a top elevation view thereof;
FIG. 7 is a bottom elevation view thereof;
FIG. 8 is a rear perspective view thereof;
FIG. 9 is a front perspective view thereof with the stand in a close position; and,
FIG. 10 is a rear perspective view thereof with the stand in a close position.
The broken lines in the figure drawings represents unclaimed portion of the design, which forms no part of the claim.

1 Claim, 10 Drawing Sheets



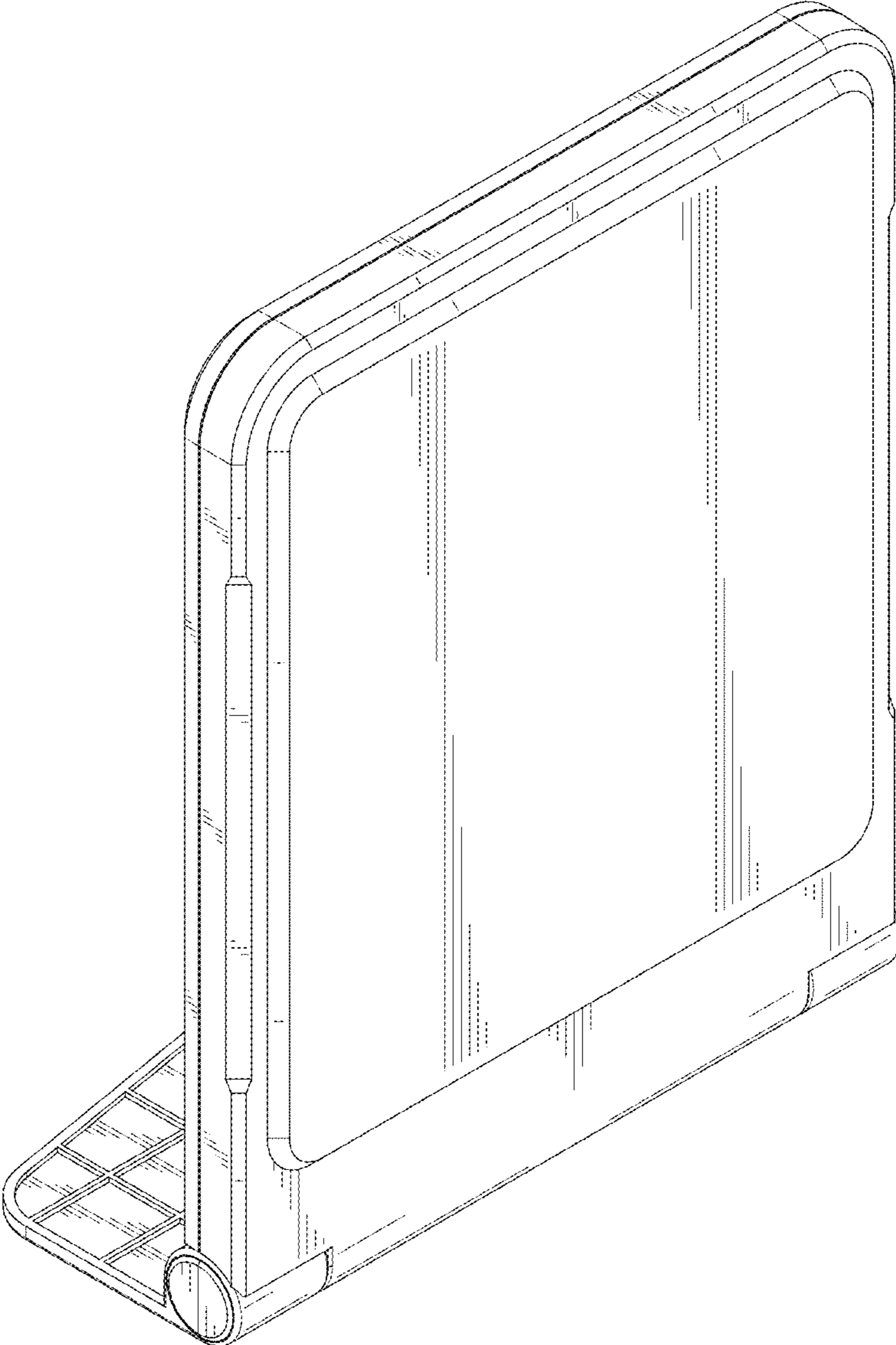


FIG.1

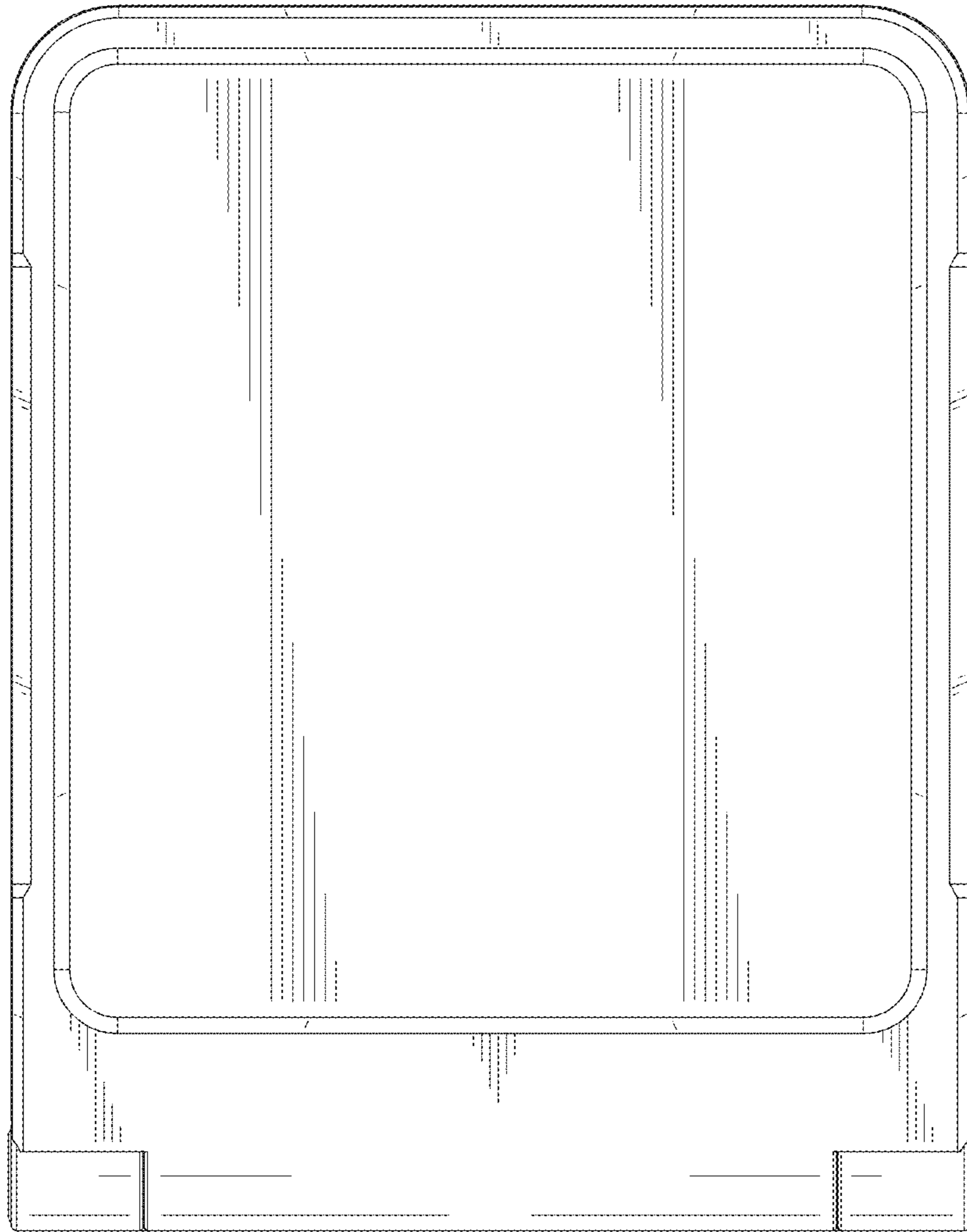


FIG.2

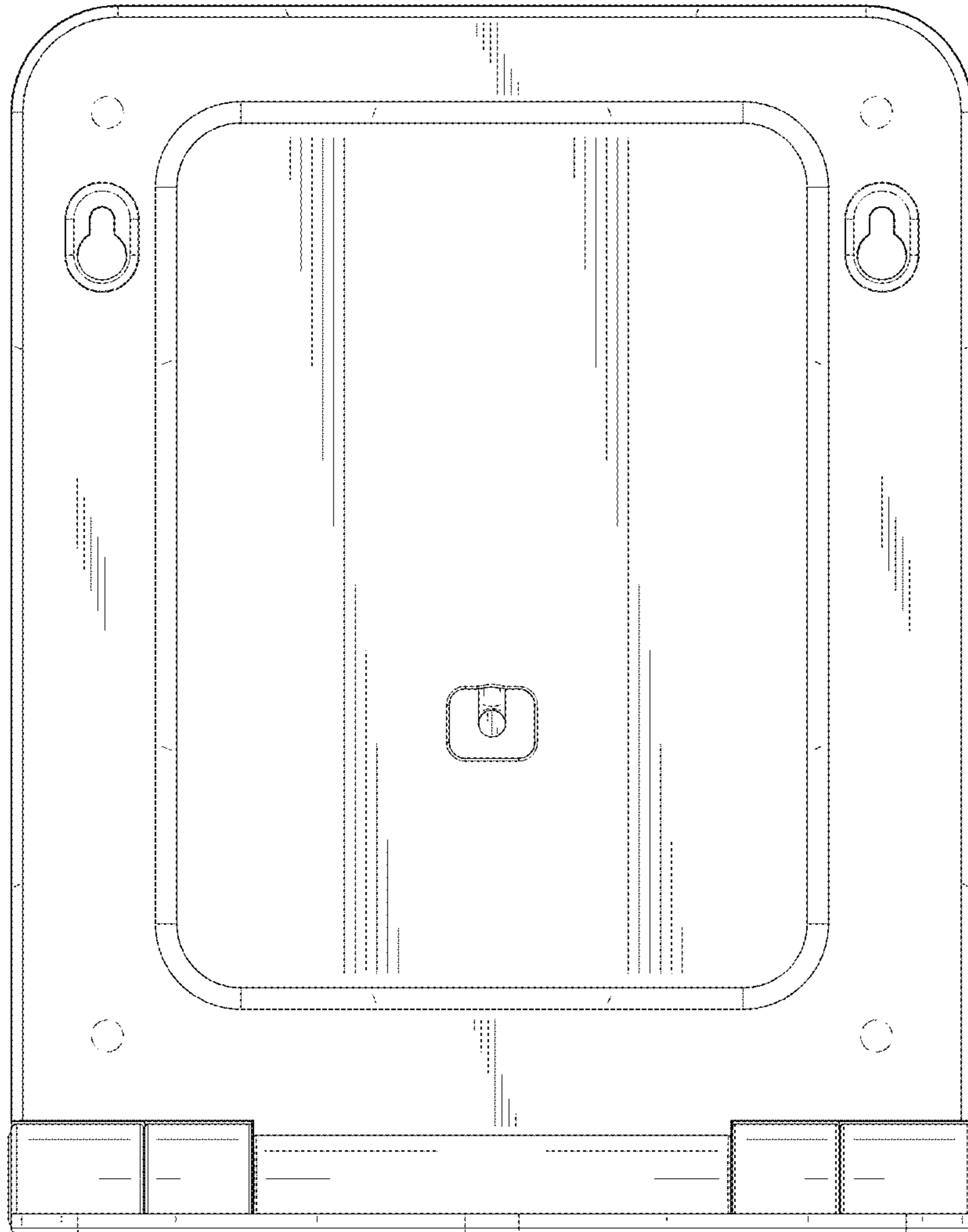


FIG. 3

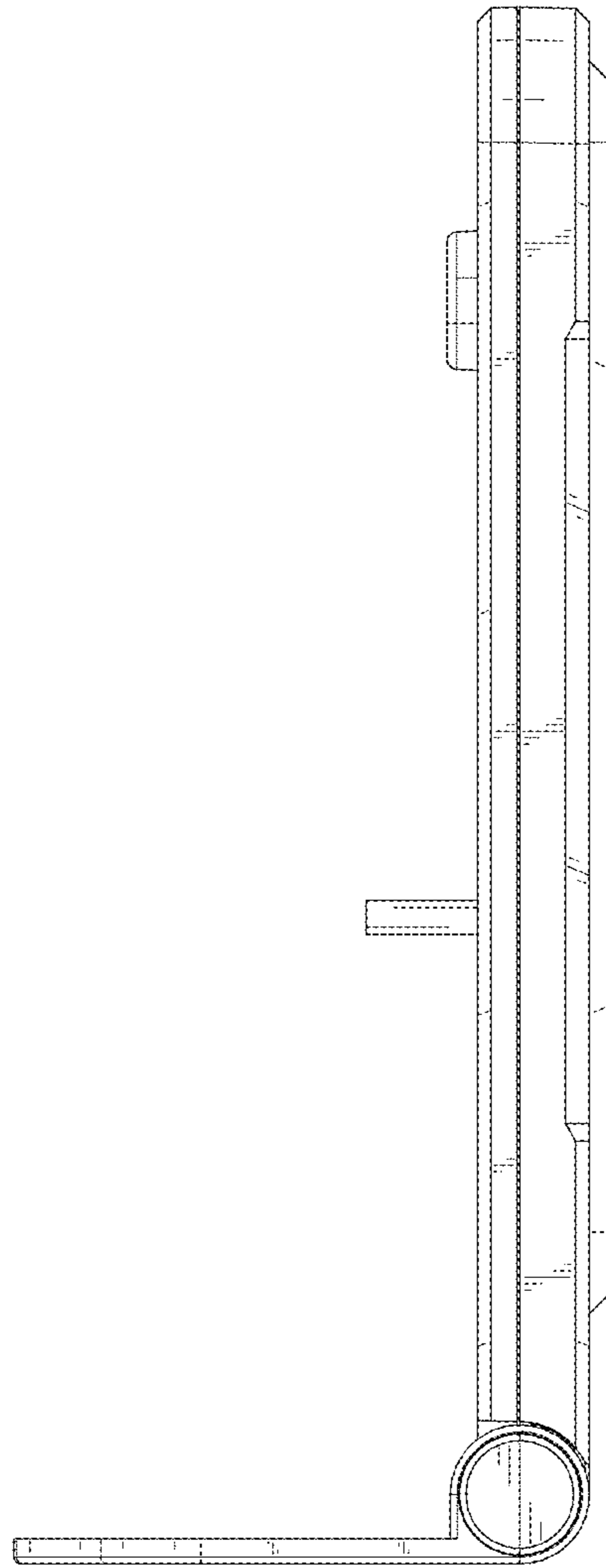


FIG.4

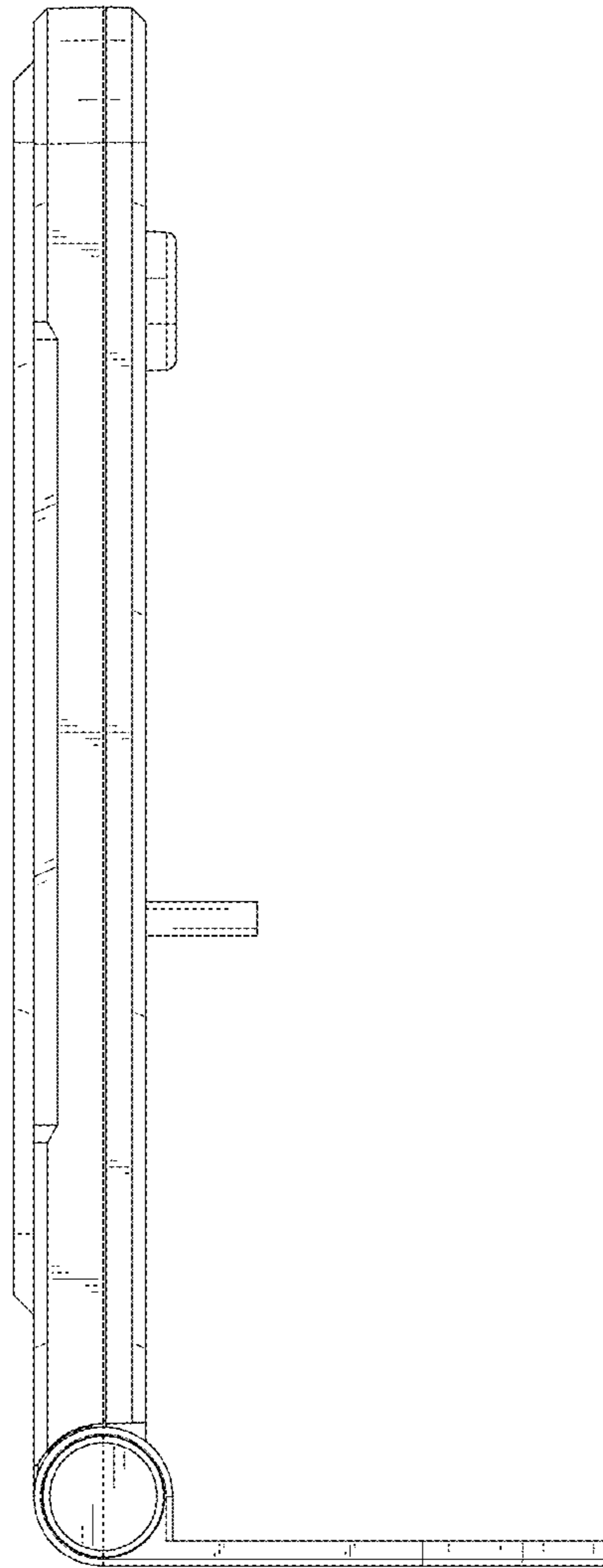


FIG. 5

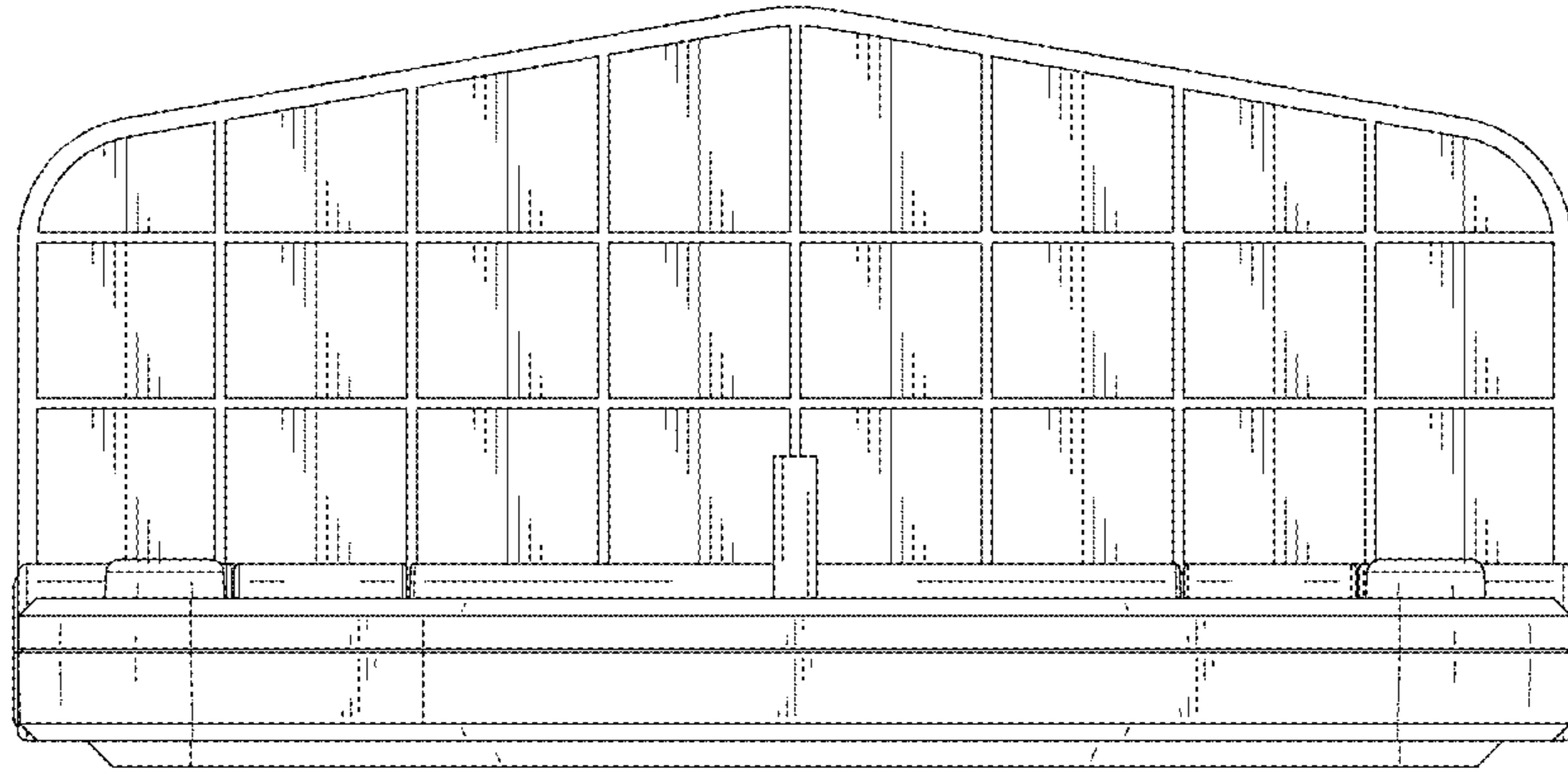


FIG.6

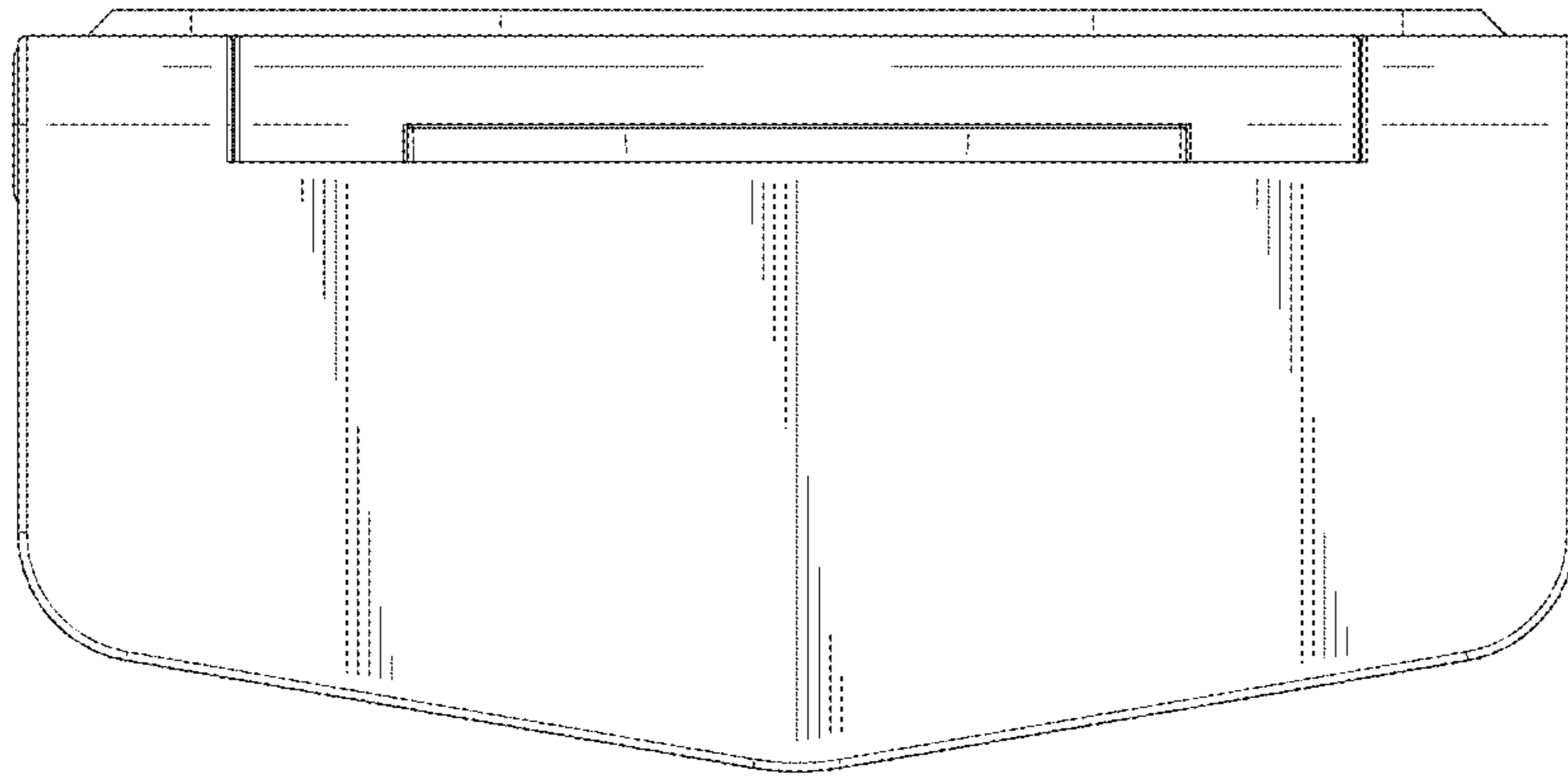


FIG.7

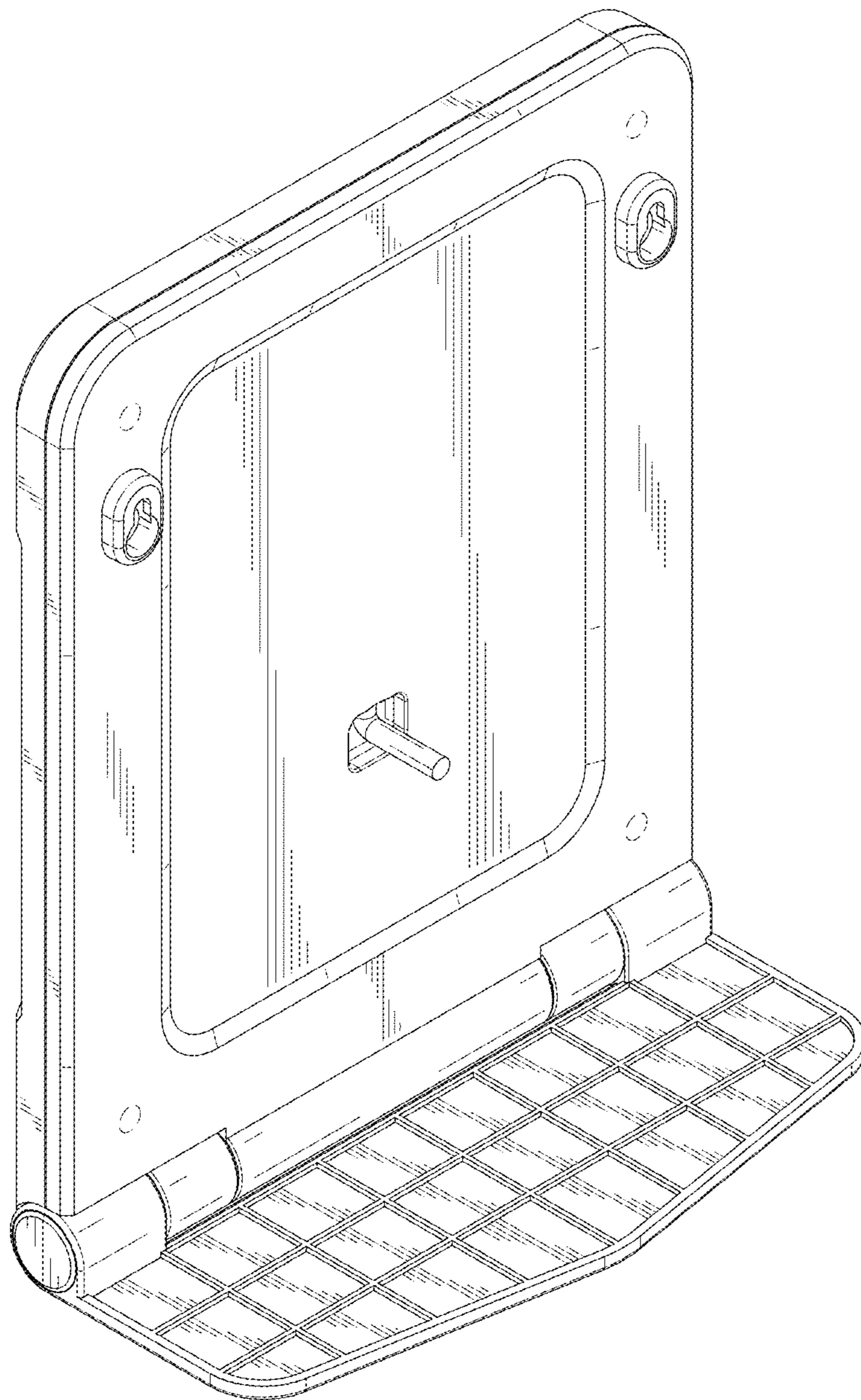


FIG. 8

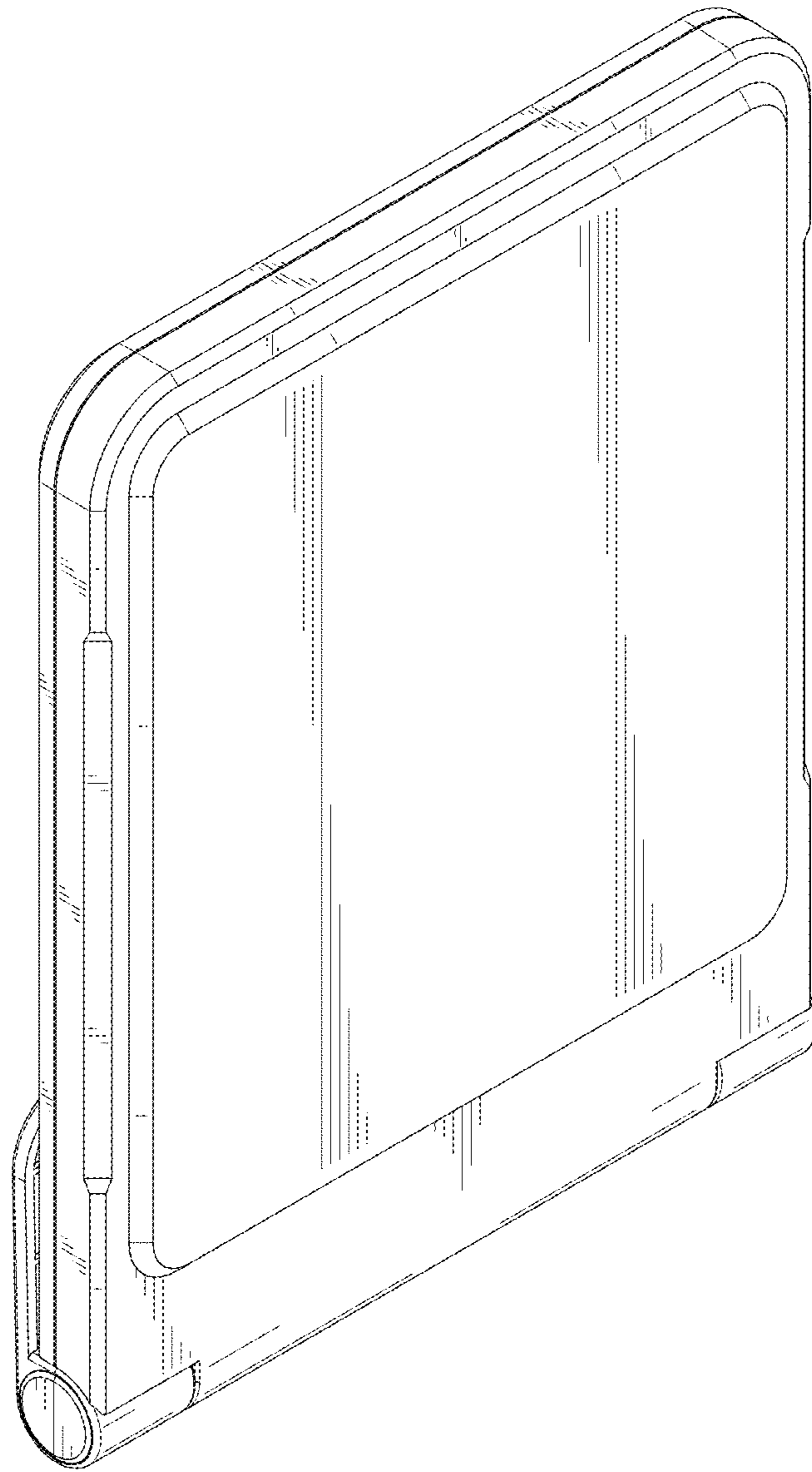


FIG. 9

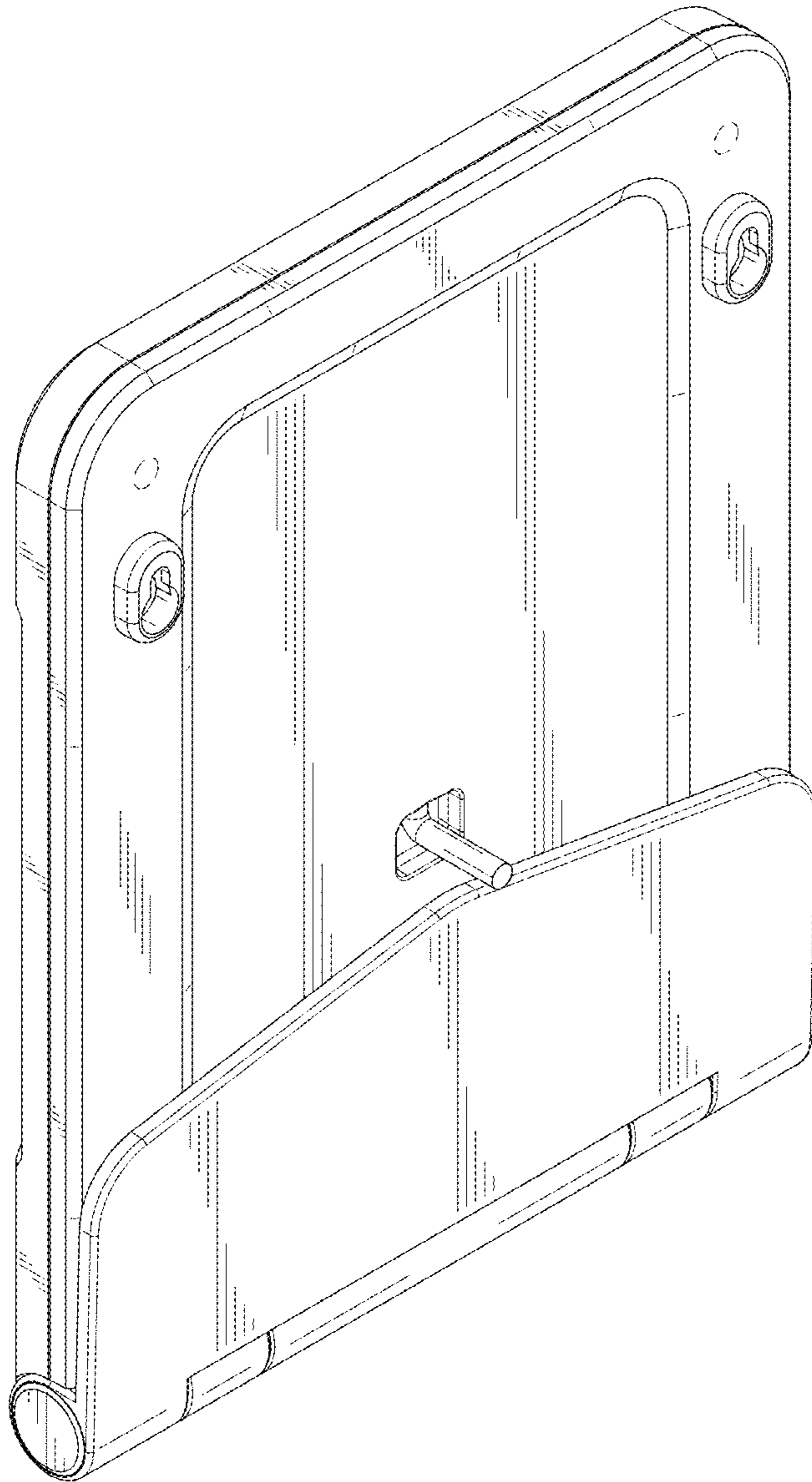


FIG.10