



US00D927465S

(12) **United States Design Patent**
Wang

(10) **Patent No.:** **US D927,465 S**

(45) **Date of Patent:** **** Aug. 10, 2021**

(54) **COMBINED EARPHONES AND CHARGING CASE**

(71) Applicant: **SHENZHEN ZUNTE DIGITAL CO., LTD.**, Shenzhen (CN)

(72) Inventor: **Xiaohuai Wang**, Shenzhen (CN)

(73) Assignee: **SHENZHEN ZUNTE DIGITAL CO., LTD.**, Shenzhen (CN)

(**) Term: **15 Years**

(21) Appl. No.: **29/726,849**

(22) Filed: **Mar. 5, 2020**

(51) **LOC (13) Cl.** **14-01**

(52) **U.S. Cl.**
USPC **D14/223**

(58) **Field of Classification Search**
USPC ... D14/205, 207, 217, 221, 223, 224, 224.1, D14/225, 440; D24/173, 174
CPC H04R 1/10; H04R 1/1016; H04R 1/1066; H04R 1/105; H04R 1/1033; H04R 1/08; H04R 5/033; H04R 5/0335; H04R 25/00
See application file for complete search history.

(56) **References Cited**

U.S. PATENT DOCUMENTS

D826,152 S * 8/2018 Christiansen D13/108
D841,580 S * 2/2019 Bao D13/108
D849,401 S * 5/2019 Akana D3/274

(Continued)

FOREIGN PATENT DOCUMENTS

EM 007490461-0001 * 1/2020
EM 008280168-0001 * 11/2020

(Continued)

OTHER PUBLICATIONS

Soundcore Liberty Air True Wireless Earphones with Charging Case, announced Mar. 11, 2019 [online], retrieved Feb. 23, 2021,

https://www.amazon.com/Soundcore-True-Wireless-Earphones-Noise-Cancelling-Microphones/dp/B07PLGZ4CR.*

(Continued)

Primary Examiner — Dana K Weiland
Assistant Examiner — Messina L Smith

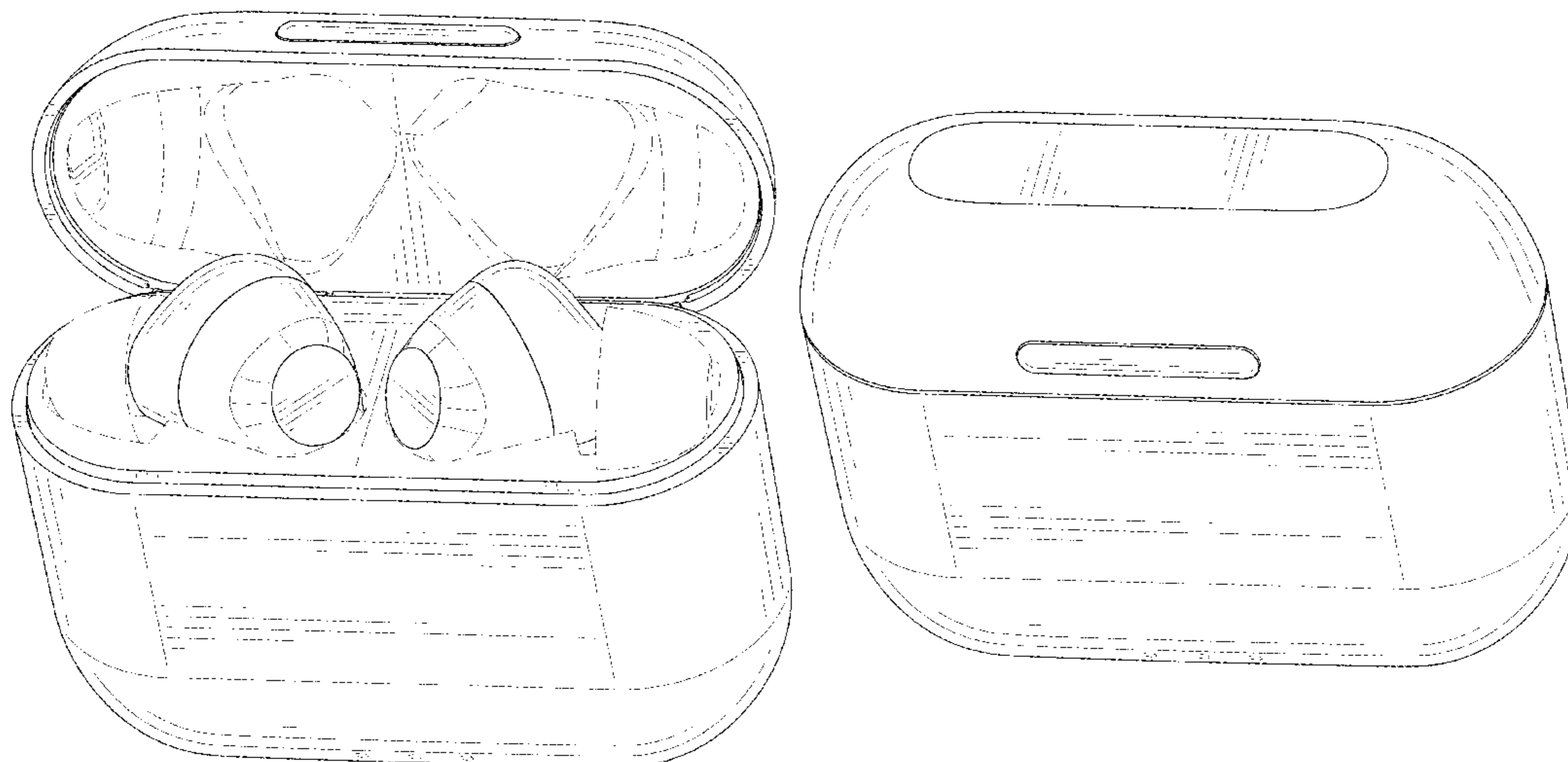
(57) **CLAIM**

The ornamental design for combined earphones and charging case, as shown and described.

DESCRIPTION

FIG. 1 is a perspective view of the charging case of the combined earphones and charging case showing my new design;
FIG. 2 is another perspective view thereof;
FIG. 3 is a front elevational view thereof;
FIG. 4 is a rear elevational view thereof;
FIG. 5 is a left side elevational view thereof;
FIG. 6 is a right side elevational view thereof;
FIG. 7 is a top plan view thereof;
FIG. 8 is a bottom plan view thereof;
FIG. 9 is a perspective view of the earphones of the combined earphones and charging case showing my new design;
FIG. 10 is another perspective view thereof;
FIG. 11 is a front elevational view thereof;
FIG. 12 is a rear elevational view thereof;
FIG. 13 is a left side elevational view thereof;
FIG. 14 is a right side elevational view thereof;
FIG. 15 is a top plan view thereof;
FIG. 16 is a bottom plan view thereof;
FIG. 17 is a perspective view of the combined earphones and charging case, shown in an open configuration; and,
FIG. 18 is a perspective view of the combined earphones and charging case, shown in a closed configuration.
The broken lines in the drawings depict portions of the combined earphones and charging case that form no part of the claimed design.

1 Claim, 18 Drawing Sheets



(56)

References Cited

U.S. PATENT DOCUMENTS

D878,045 S * 3/2020 Akana D3/274
 D882,259 S * 4/2020 Liu D3/269
 D888,408 S * 6/2020 Lee D3/201
 D897,678 S * 10/2020 Koh D3/294
 D897,997 S * 10/2020 Zhang D14/223
 D902,588 S * 11/2020 Zhang D3/294
 D903,639 S * 12/2020 Yang D14/223
 D904,023 S * 12/2020 Wang D3/294
 D904,025 S * 12/2020 Ma D3/295
 D904,351 S * 12/2020 Zhang D14/223
 D905,019 S * 12/2020 Liu D14/223
 D905,430 S * 12/2020 Kwak D3/273
 D906,238 S * 12/2020 Zhang D13/108
 D906,299 S * 12/2020 Luo D14/223
 D907,008 S * 1/2021 Yao D14/223
 D907,009 S * 1/2021 Akana D14/223
 D907,049 S * 1/2021 Yu D14/440
 D908,345 S * 1/2021 He D3/201
 D909,347 S * 2/2021 Akana D14/223
 D910,600 S * 2/2021 Zhang D14/223
 2018/0064224 A1 * 3/2018 Brzezinski H02J 7/025
 2018/0091965 A1 * 3/2018 Watson H04W 4/80
 2020/0084532 A1 * 3/2020 Lo H02J 7/342
 2020/0107098 A1 * 4/2020 DiFonzo C22C 33/0285
 2020/0252715 A1 * 8/2020 Zhou H04R 1/1016
 2020/0304898 A1 * 9/2020 Cohen H04R 1/1016

FOREIGN PATENT DOCUMENTS

EM 008312359-0001 * 12/2020
 KR 301045434.0000 * 2/2020

OTHER PUBLICATIONS

Anker Soundcore Liberty Air 2 Wireless Earbuds, announced May 31, 2019 [online], retrieved Feb. 23, 2021, https://www.amazon.com/Soundcore-Bluetooth-Earphones-Personalized-Cancelling/dp/B07SKJNCXM/ref=pd_lpo_107_t_1/137-1641998-2770366?_encoding=UTF8&pd_rd_i=B07SKJNCXM&pd_rd_r=c5540ae1-ff26-49dc-a3dd-0f0bc00175bc&pd_rd_w=WzcYl&pd_rd_wg=ZhQPz&pf_rd_p=16b28406-aa34-451d-8a2e-b3930ada000c&pf_rd_r=H644T9D8G9ZVP3WPD1DZ&psc=1&refRID=H644T9D8G9ZVP3WPD1DZ.*

Anker SoundCore Liberty Air True Wireless Earphones, no announcement date [online], retrieved Feb. 23, 2021, <https://www.mymemory.com/anker-soundcore-liberty-air-true-wireless-earphones-charging-case-white-new-qc-box-opened.html>.*

Bass sport headset, announced © 2021 [online], retrieved Feb. 23, 2021, <https://www.globalsources.com/Bluetooth-headset/Bass-sports-headphones-1181490637p.htm#1181490637>.*

* cited by examiner

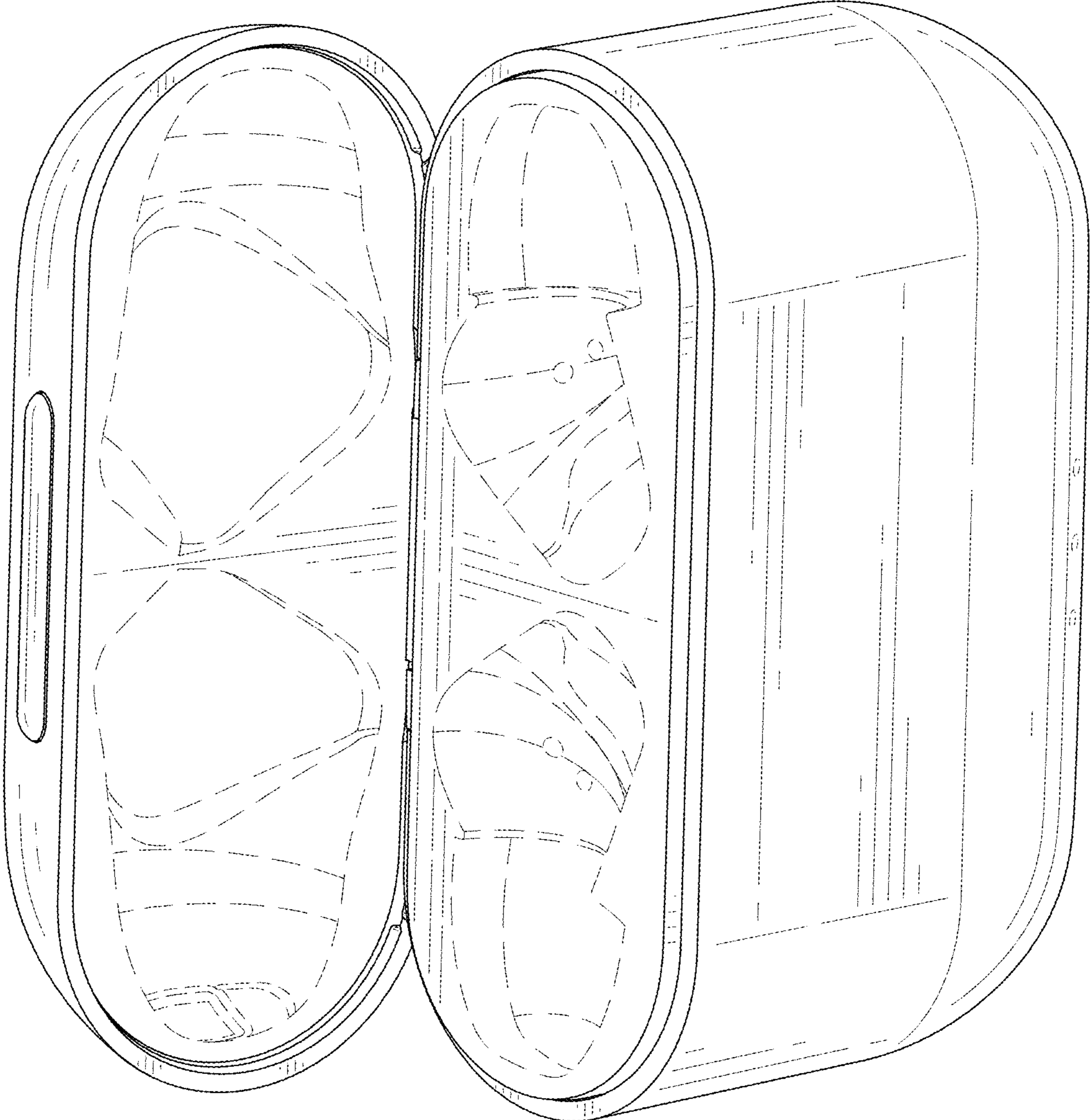


FIG. 1

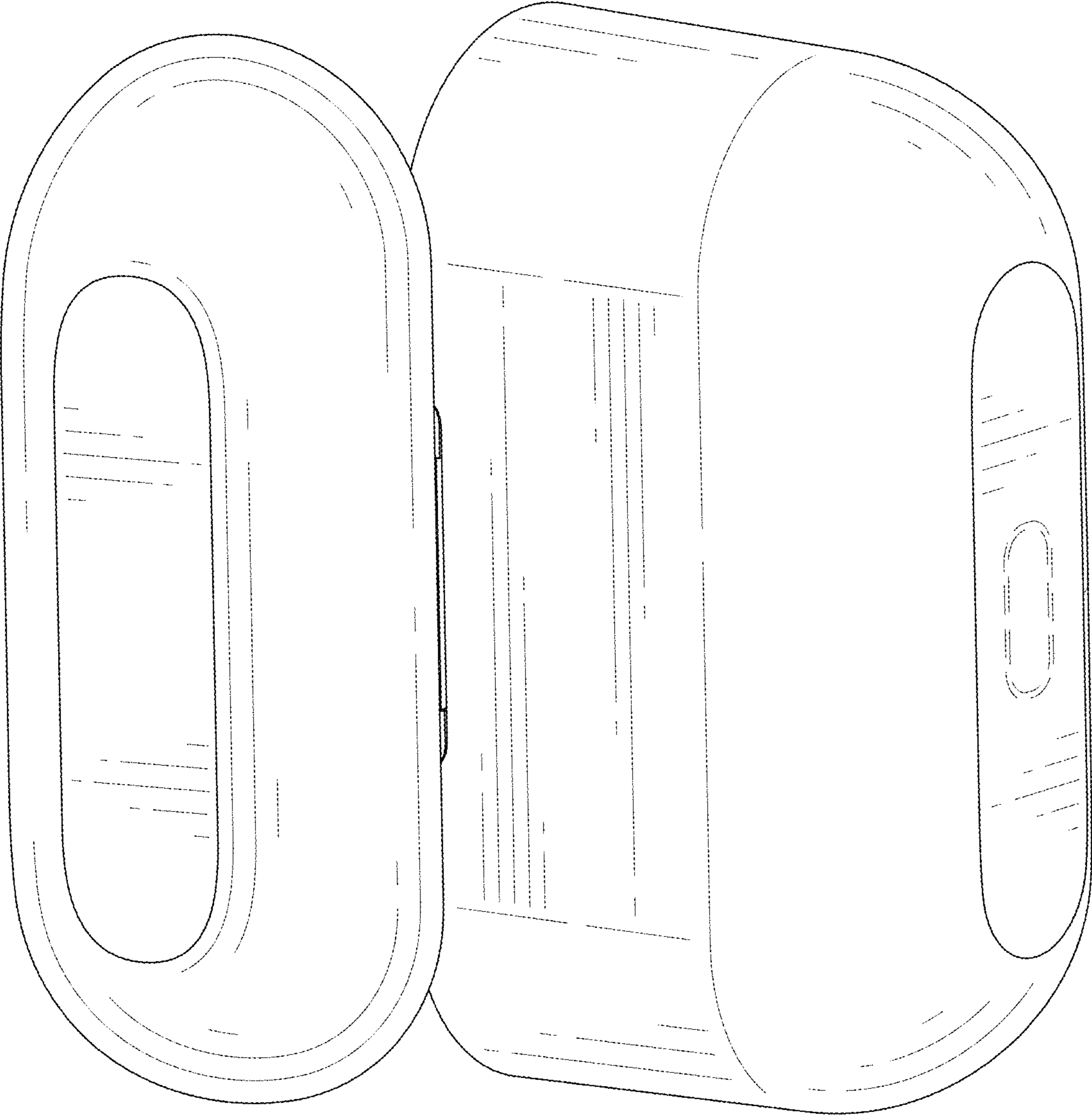


FIG. 2

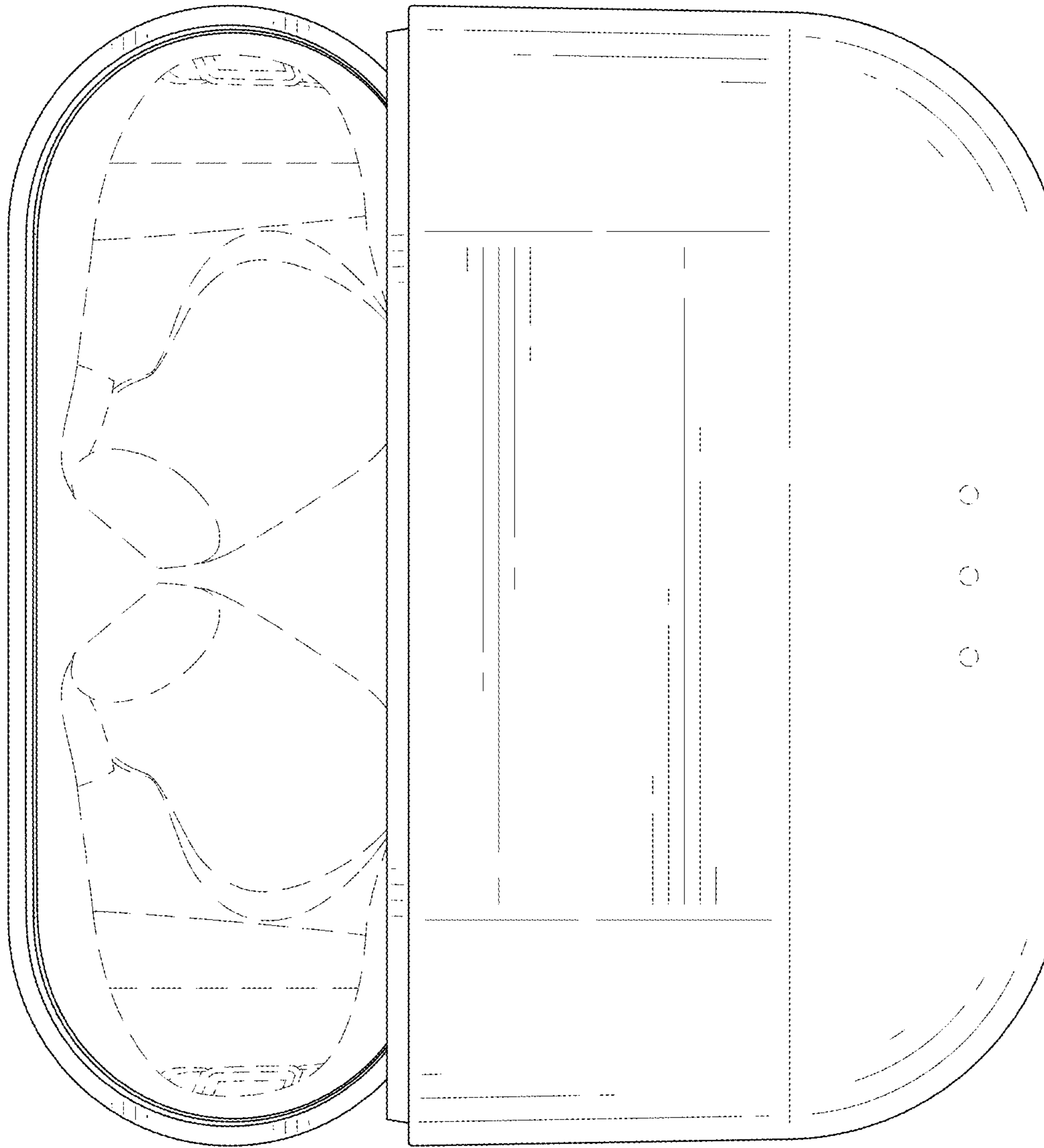


FIG. 3

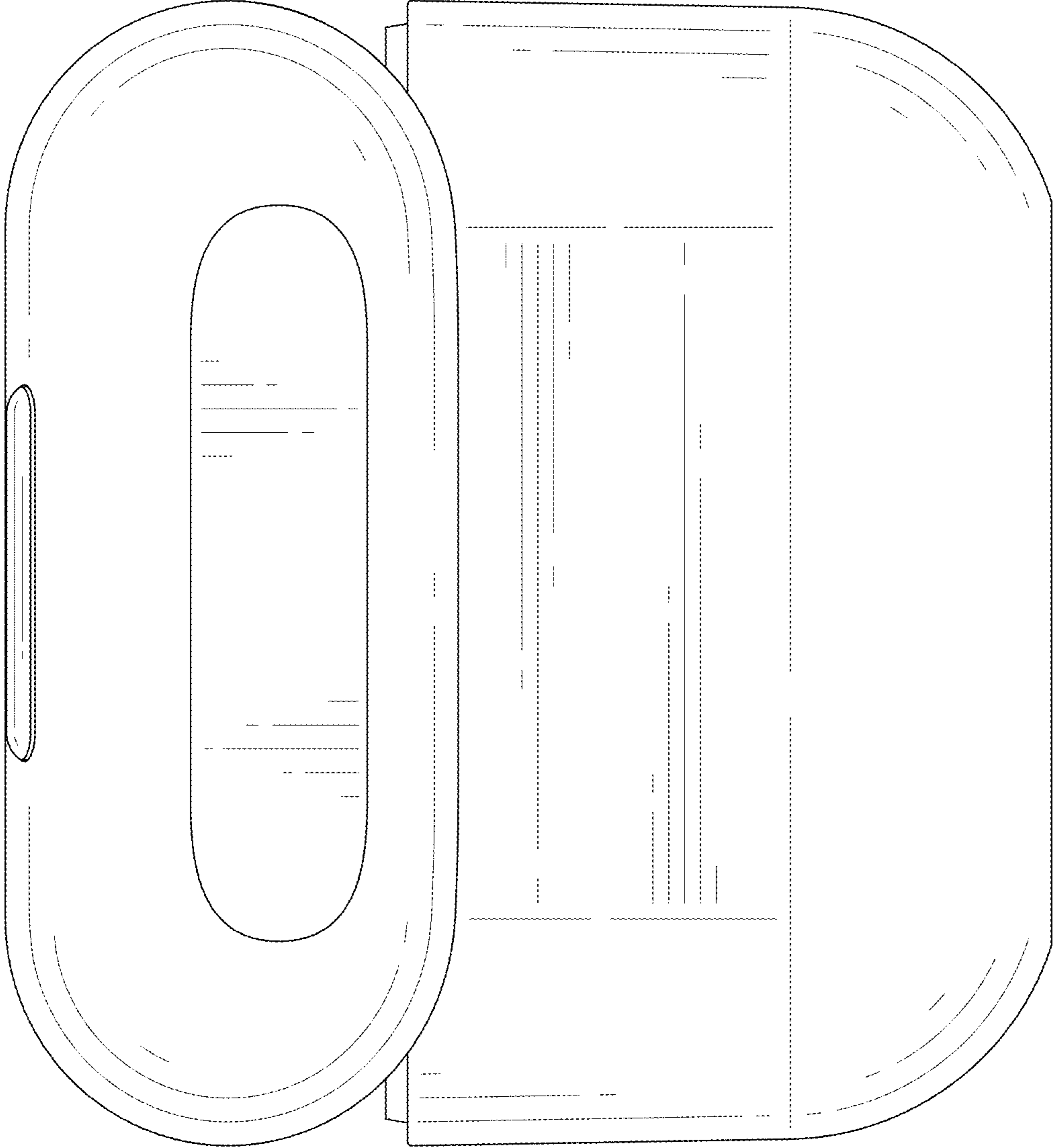


FIG. 4

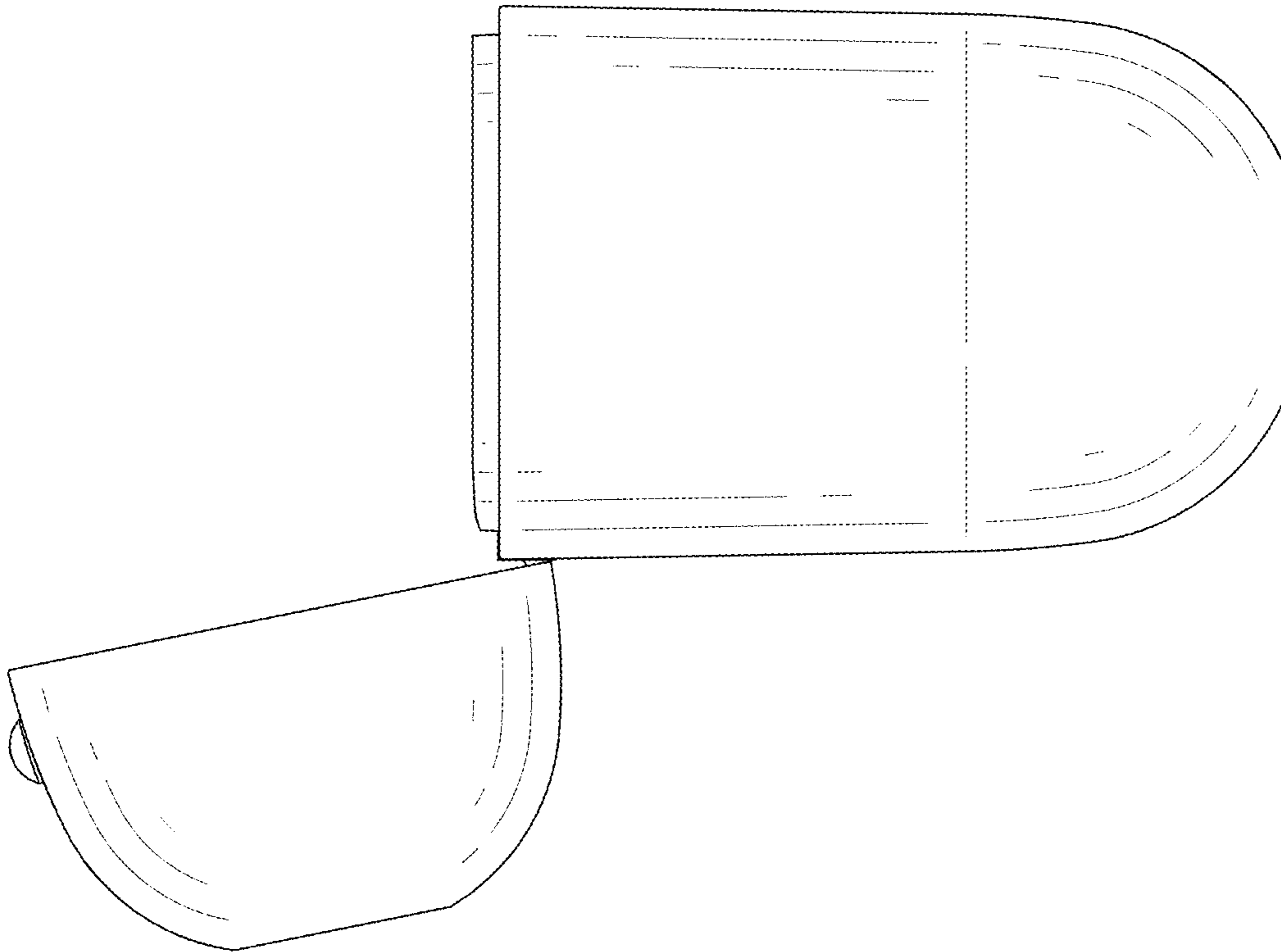


FIG. 5

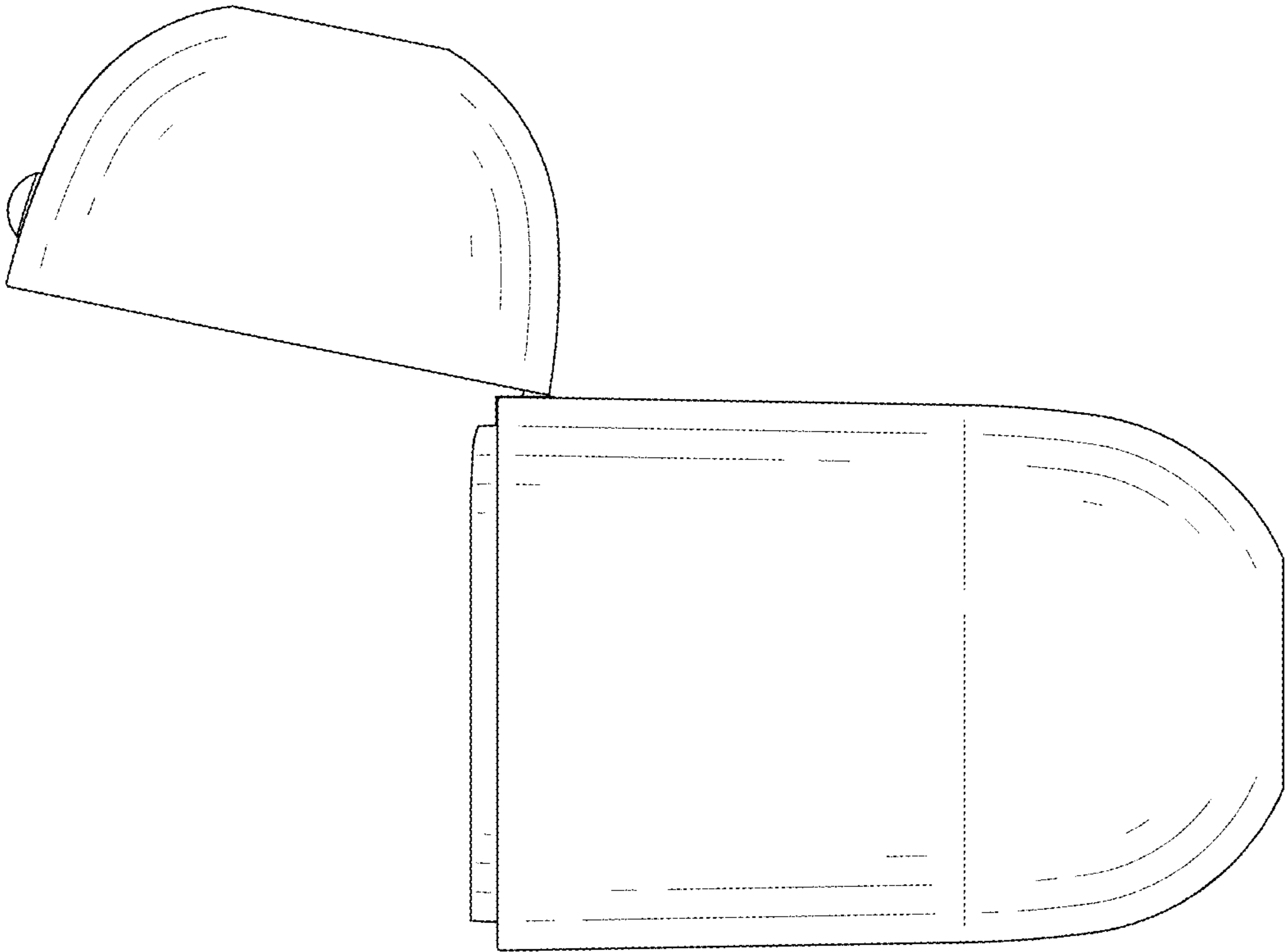


FIG. 6

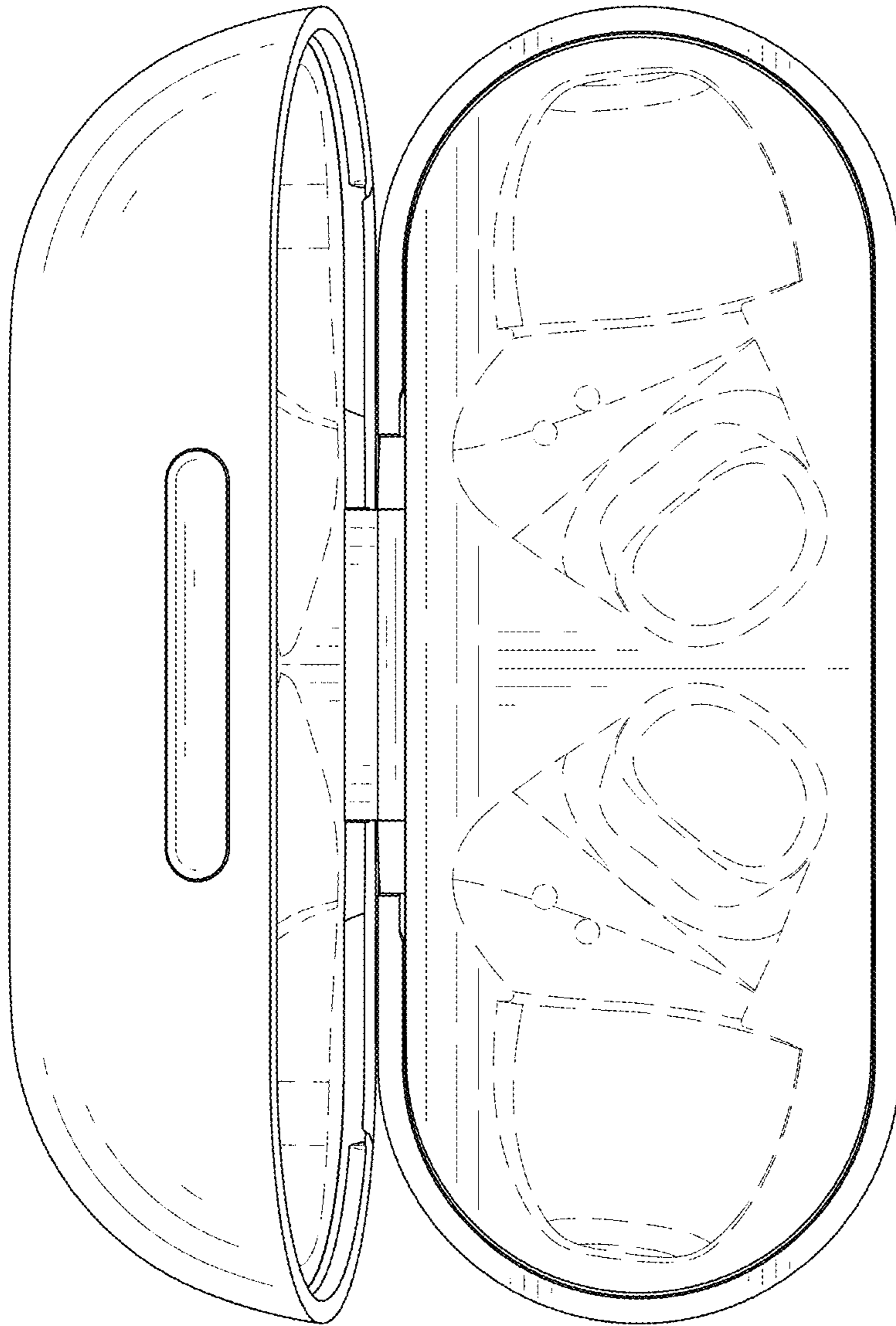


FIG. 7

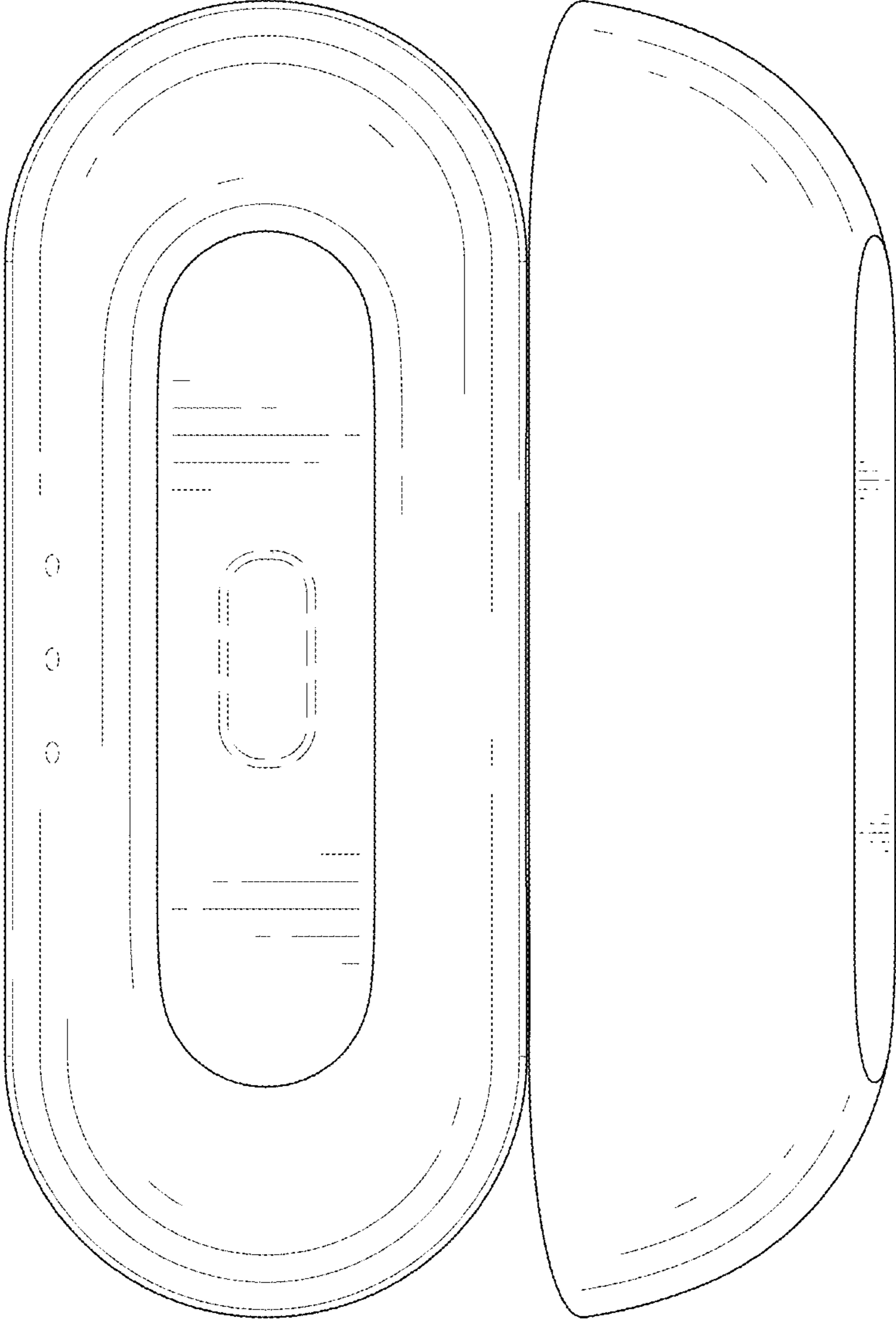


FIG. 8

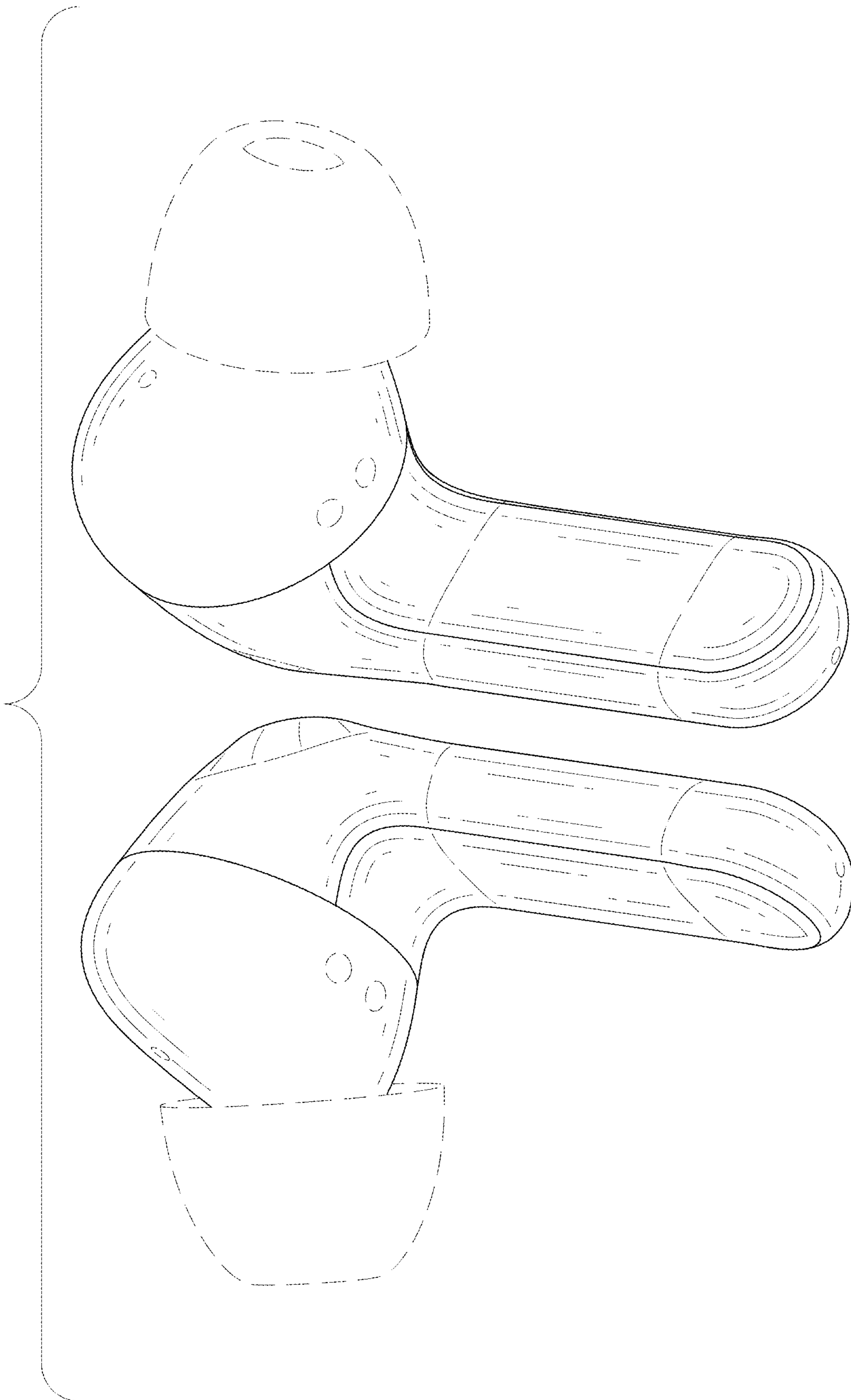


FIG. 9

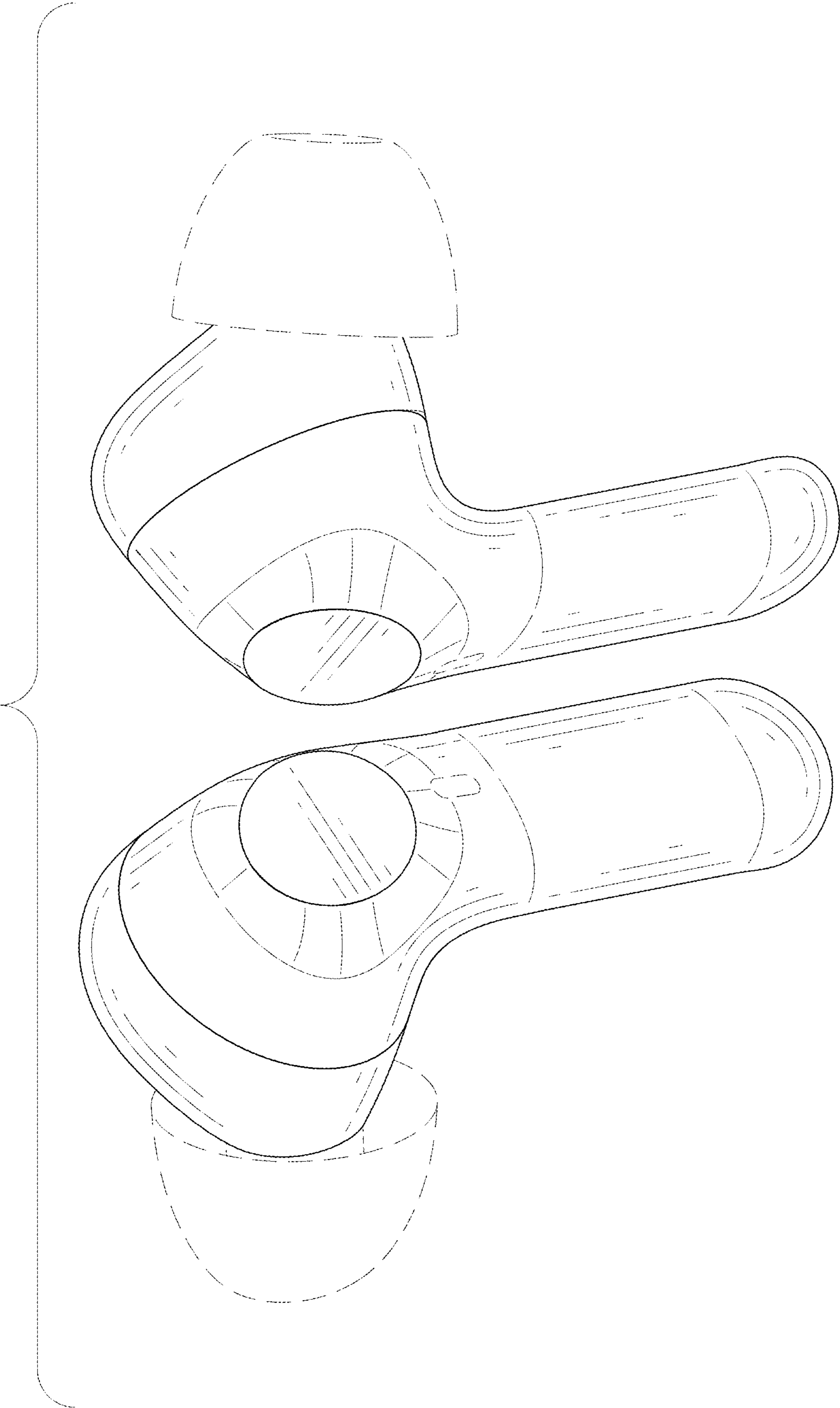


FIG. 10

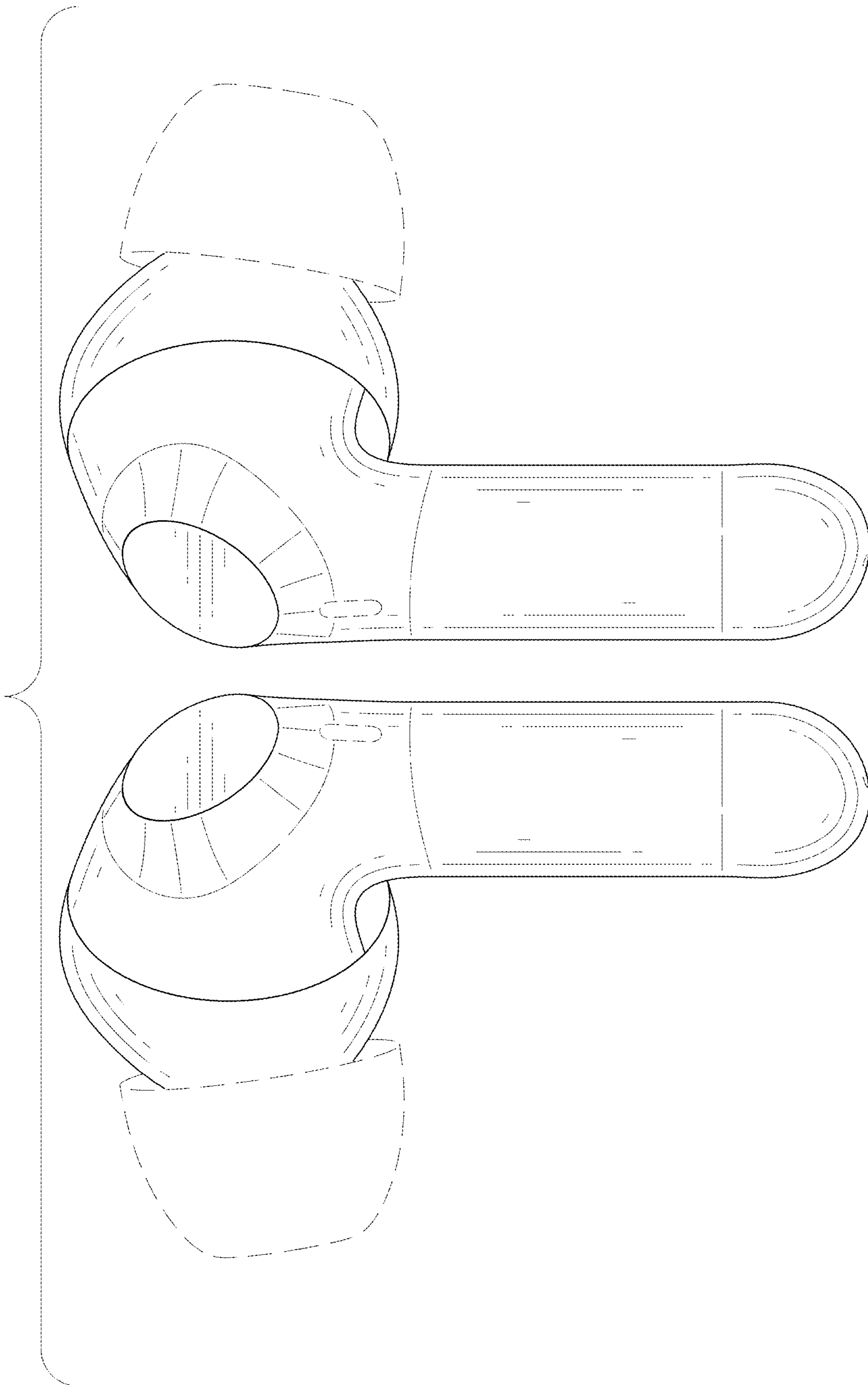


FIG. 11

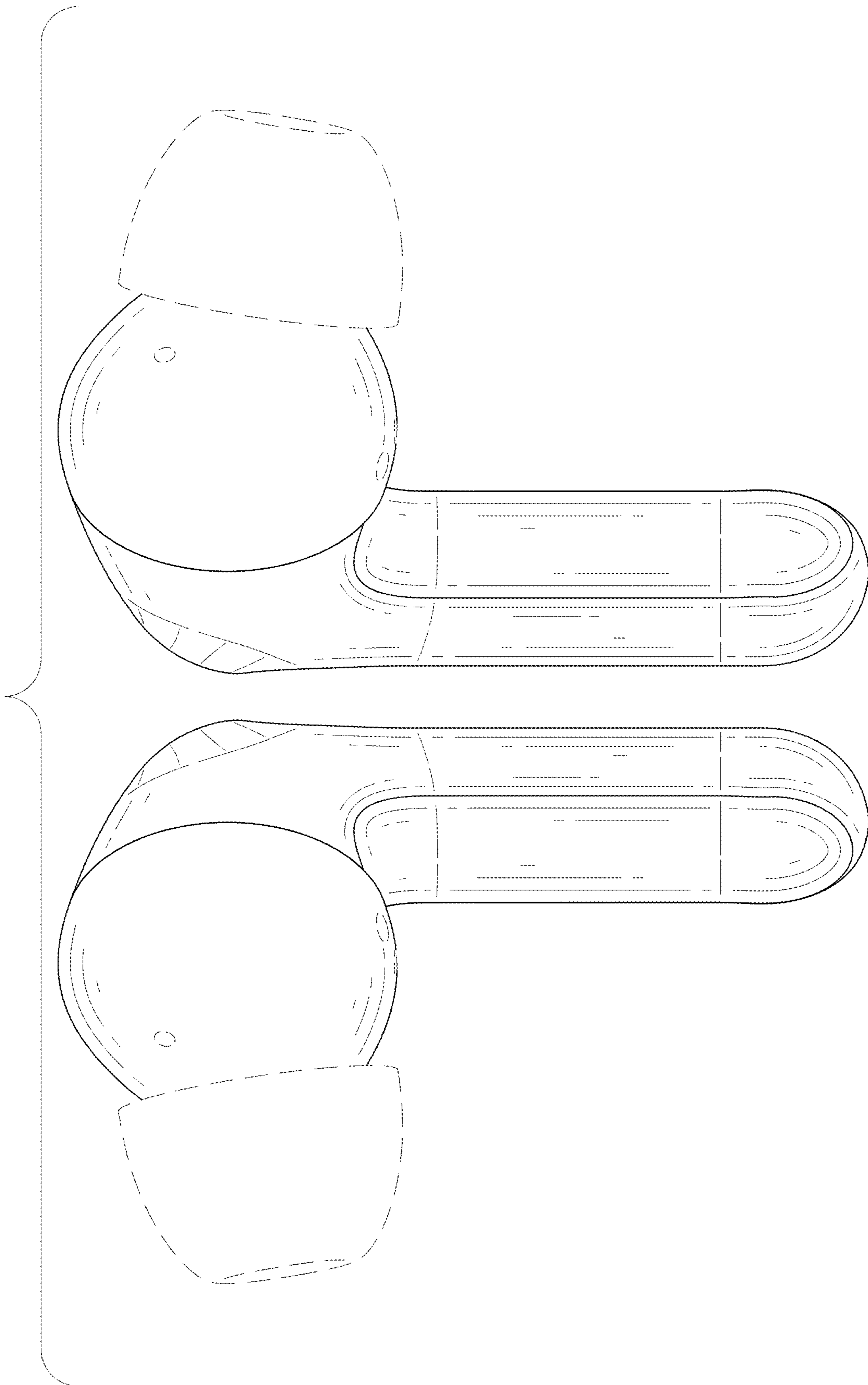


FIG. 12

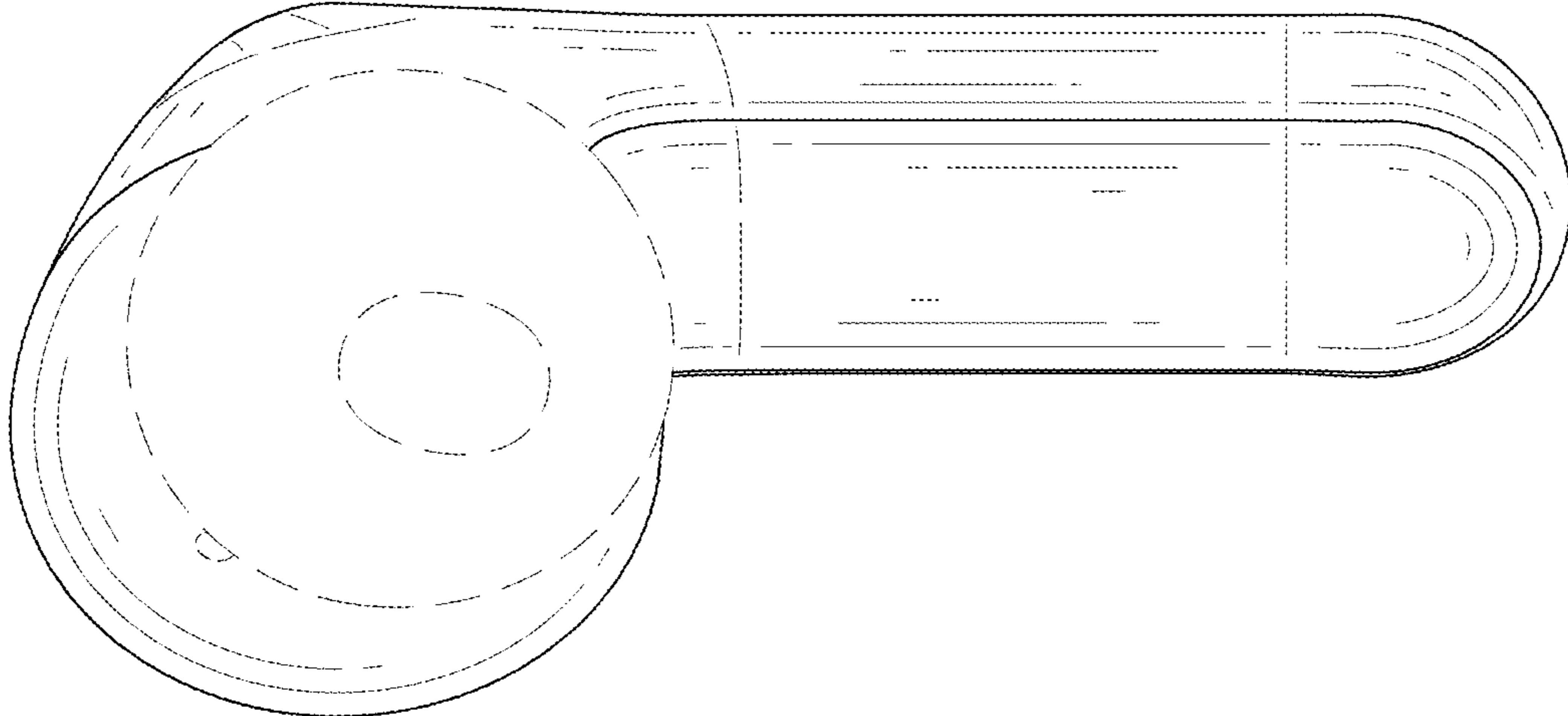


FIG. 13

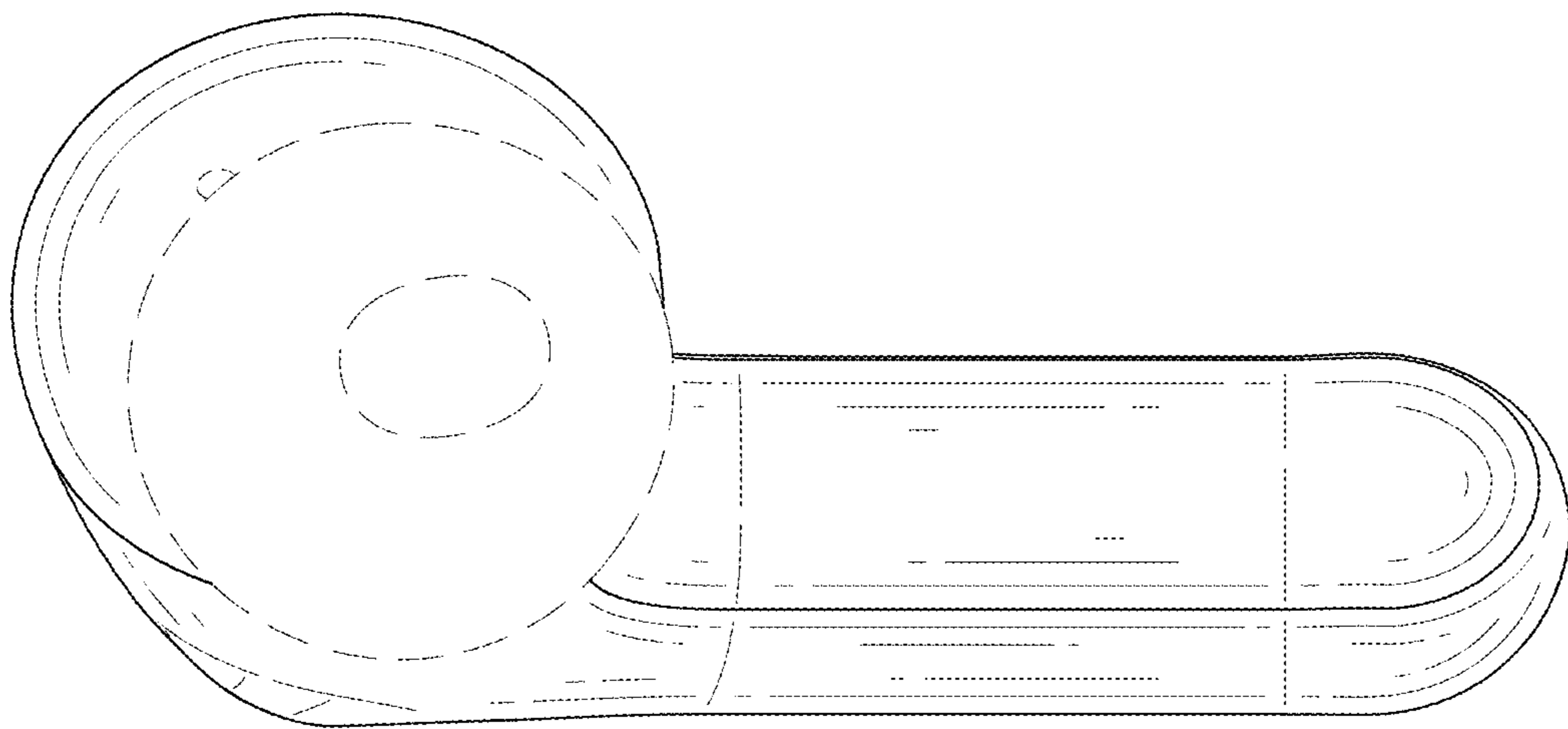


FIG. 14

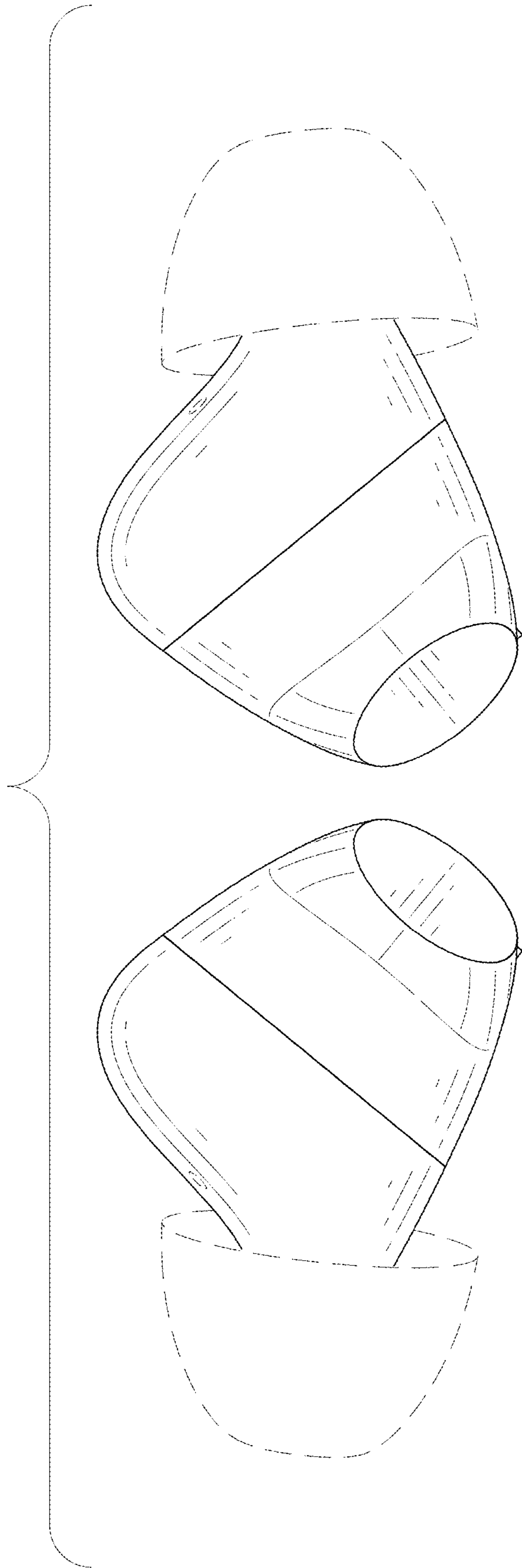


FIG. 15

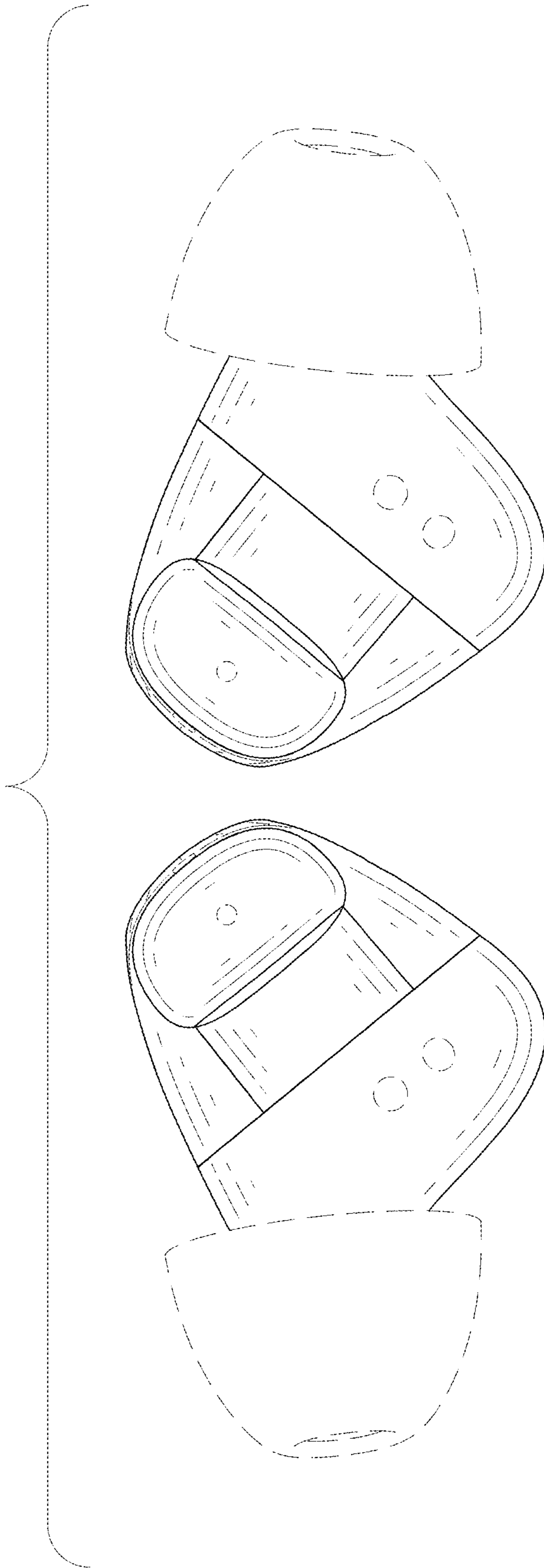


FIG. 16

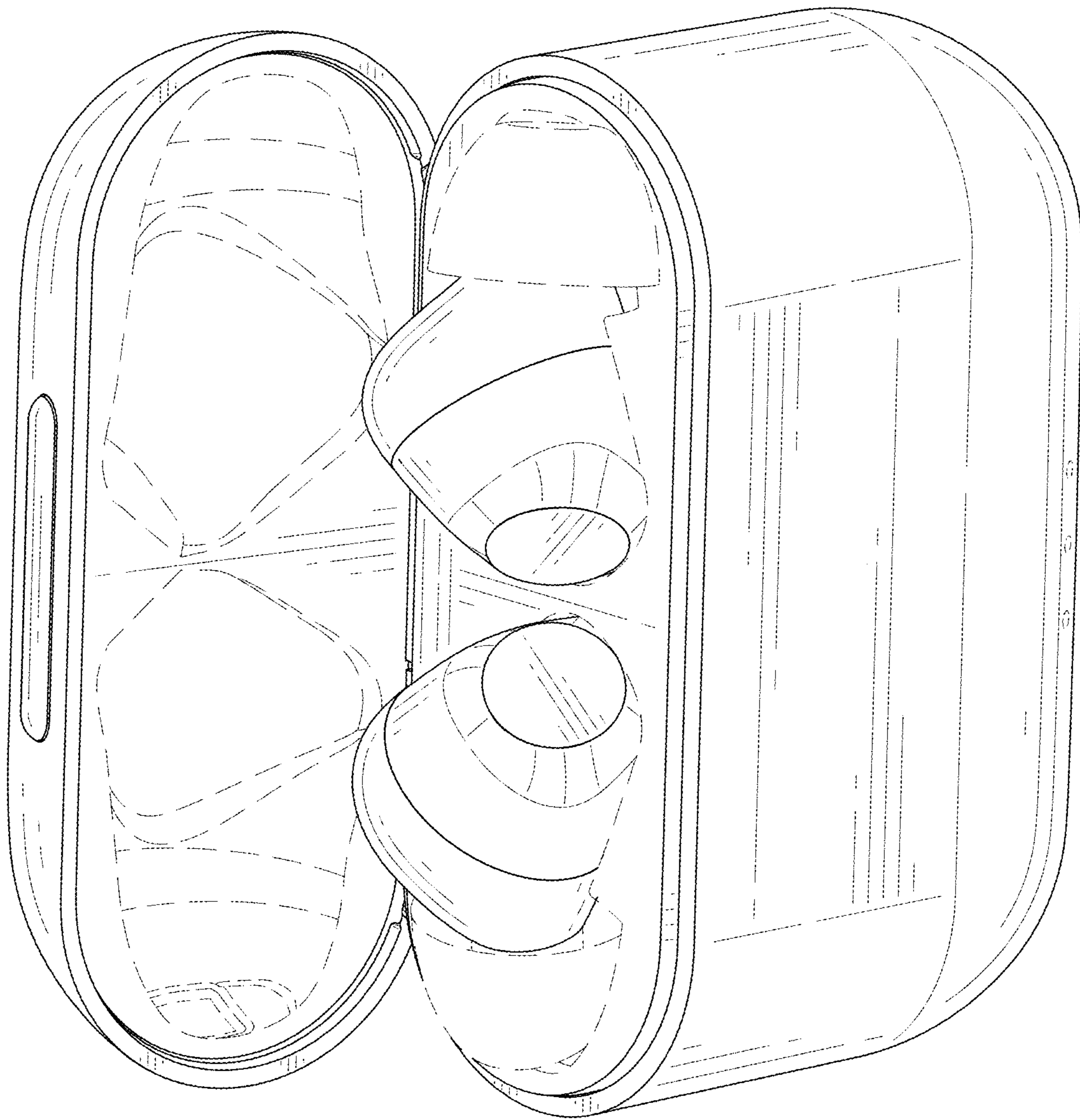


FIG. 17

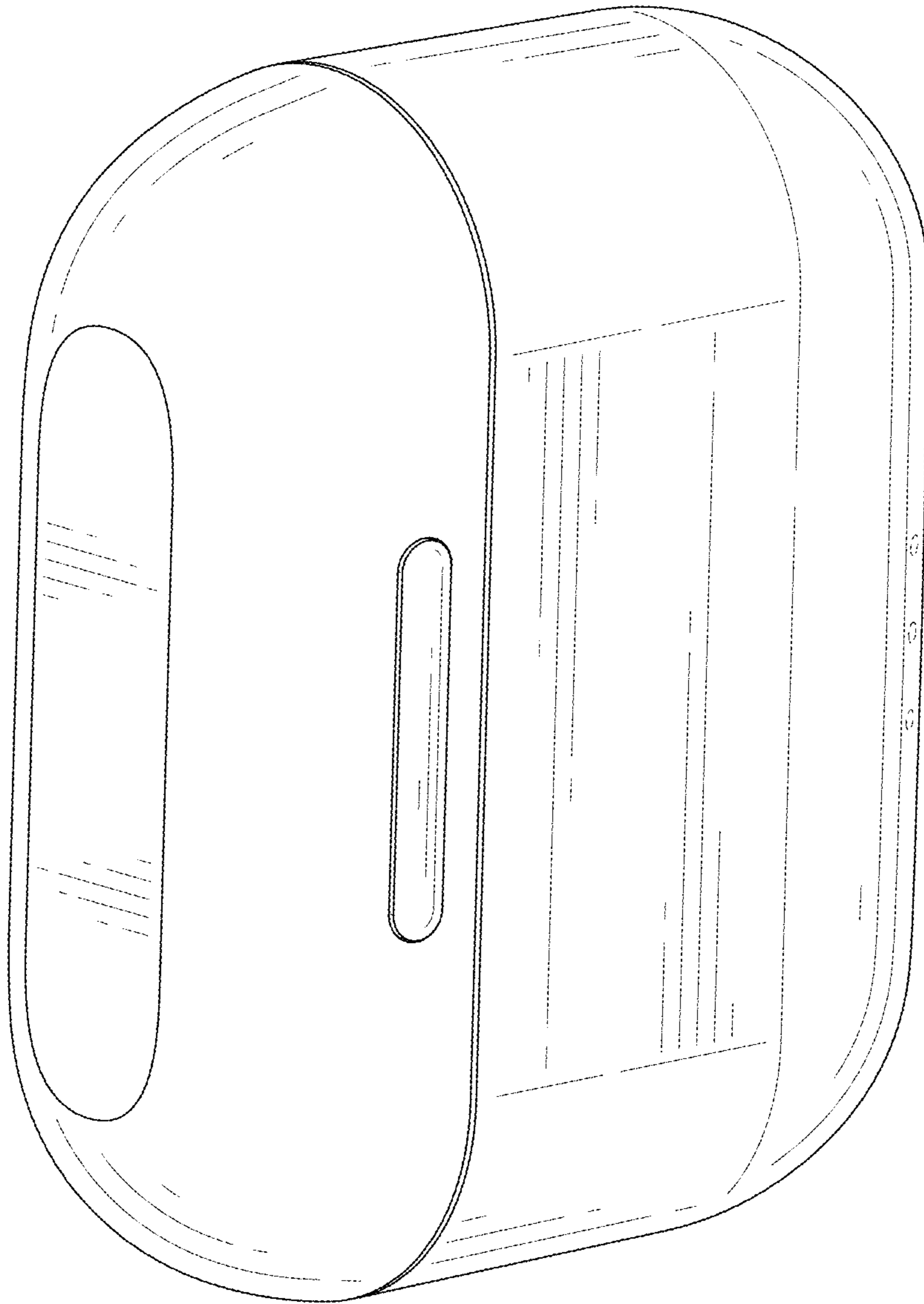


FIG. 18