



US00D927463S

(12) **United States Design Patent**
Johnson

(10) **Patent No.:** **US D927,463 S**

(45) **Date of Patent:** **** Aug. 10, 2021**

(54) **WHITE NOISE SOUND MACHINE**

(71) Applicant: **London Johnson, Inc.**, Dallas, TX
(US)

(72) Inventor: **Brian P. Johnson**, Dallas, TX (US)

(73) Assignee: **London Johnson, Inc.**, Dallas, TX
(US)

(**) Term: **15 Years**

(21) Appl. No.: **29/692,750**

(22) Filed: **May 28, 2019**

(51) **LOC (13) Cl.** **14-01**

(52) **U.S. Cl.**
USPC **D14/216**

(58) **Field of Classification Search**
USPC D14/167, 168, 170–172, 188, 194–196,
D14/204, 209.1, 210–216, 219, 221, 222,
D14/224, 239, 496

CPC B60R 11/0217; G06F 1/1688; G10K 9/22;
G10K 11/004; H03F 1/327; H04M 1/03;
H04M 1/035; H04N 5/642; H04N
21/4852; H04R 1/02; H04R 1/06; H04R
1/021; H04R 1/025; H04R 1/026; H04R
1/028; H04R 1/105; H04R 1/323; H04R
1/403; H04R 1/2803; H04R 1/2834;
H04R 5/02; H04R 7/20; H04R 9/06;
H04R 9/025; H04R 2201/021; H04R
2400/00; H04R 2201/07; H04R 2499/11;
H04R 2499/13; H04R 2499/15; H04S
3/00; H04S 7/30

See application file for complete search history.

(56) **References Cited**

U.S. PATENT DOCUMENTS

D584,289 S *	1/2009	Lee	D14/216
D584,290 S *	1/2009	Lee	D14/216
D643,022 S *	8/2011	Hou	D14/216
D729,772 S *	5/2015	Ferber	D14/216
D870,704 S *	12/2019	Leung	D14/216
D886,774 S *	6/2020	Chang	D14/204
D888,017 S *	6/2020	Yuan	D14/216
D890,120 S *	7/2020	Peng	D14/204
D902,883 S *	11/2020	Simonelli	D14/204

* cited by examiner

Primary Examiner — Keli L Hill

(74) *Attorney, Agent, or Firm* — Perkins Coie LLP

(57) **CLAIM**

The ornamental design for a white noise sound machine, as shown and described.

DESCRIPTION

FIG. 1 is a perspective view of a white noise sound machine showing my design, as viewed from the top and front.

FIG. 2 is a top plan view thereof.

FIG. 3 is a bottom plan view thereof.

FIG. 4 is a front profile view thereof.

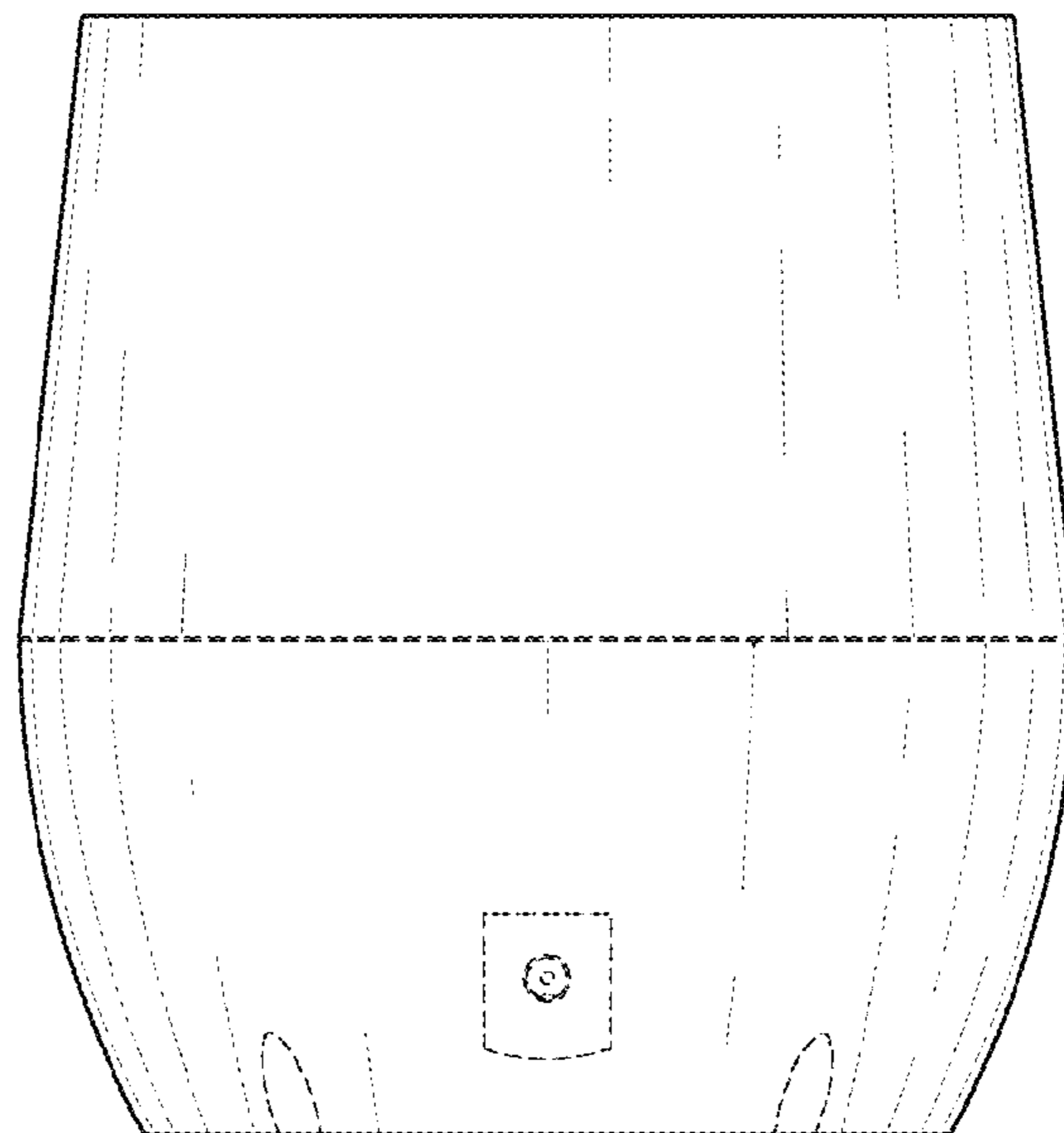
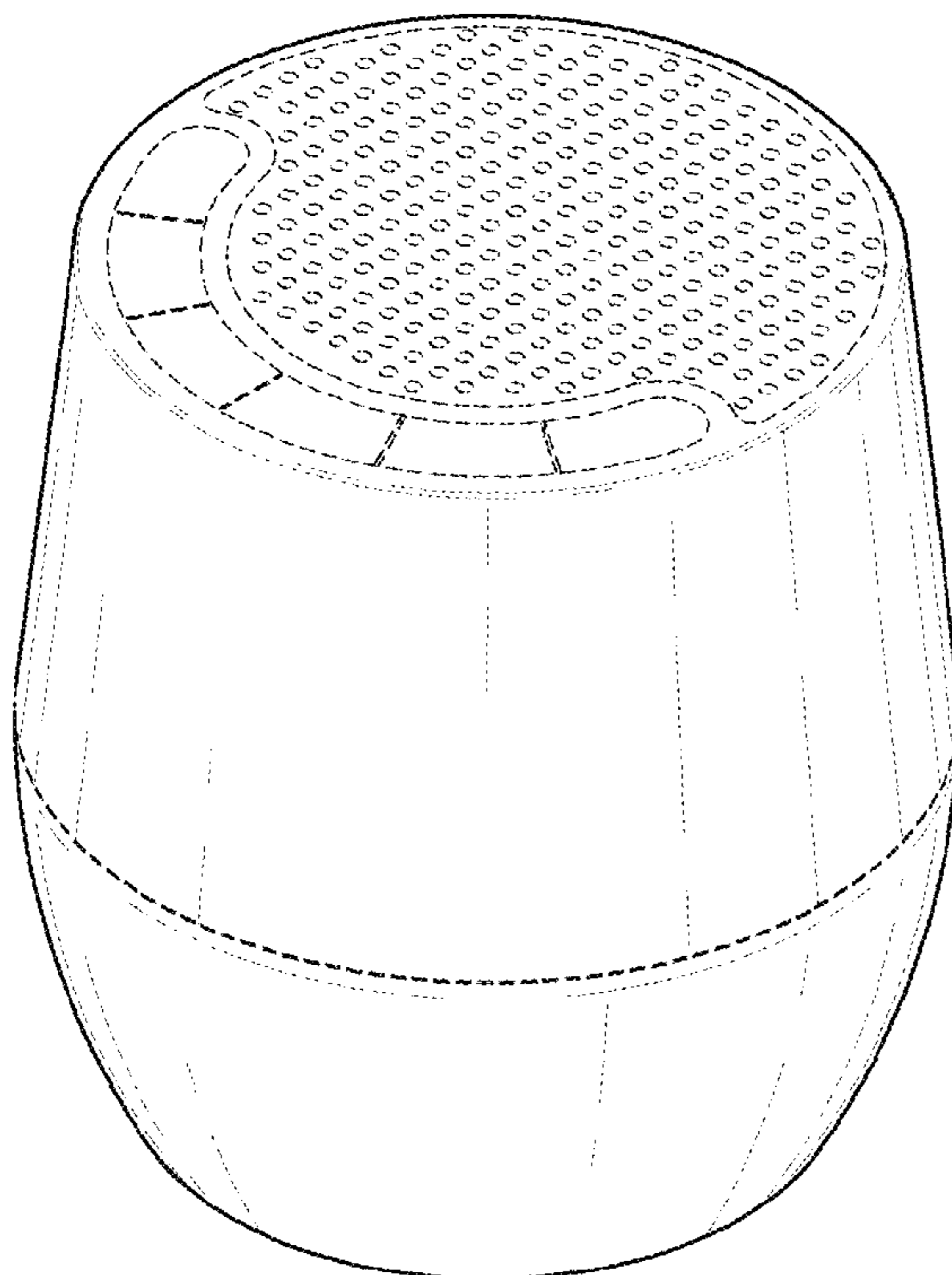
FIG. 5 is a back profile view thereof.

FIG. 6 is a first side profile view thereof; and,

FIG. 7 is a second side profile view thereof.

The details shown in broken lines illustrate features that form no part of the claimed design.

1 Claim, 2 Drawing Sheets



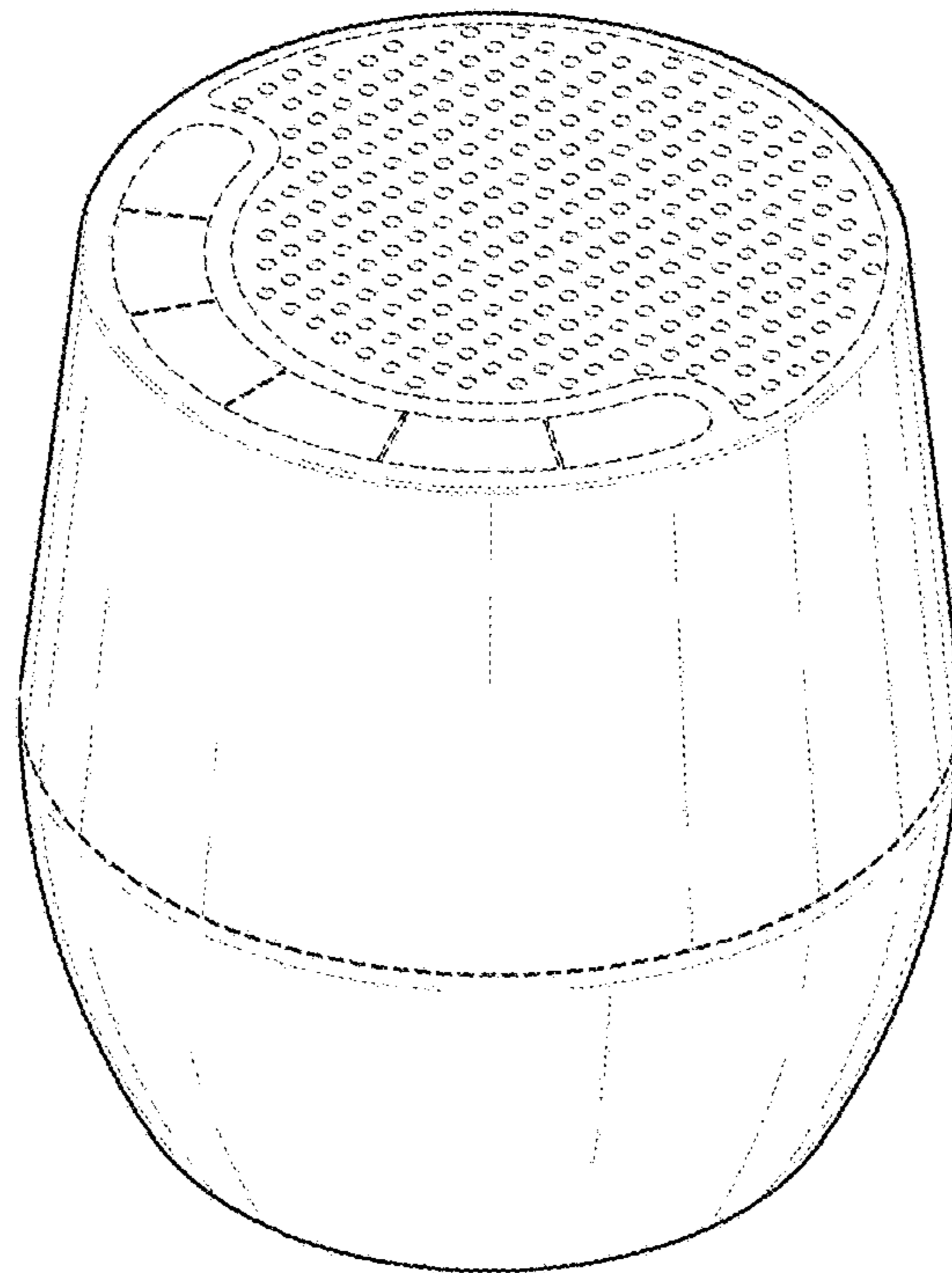


Fig. 1

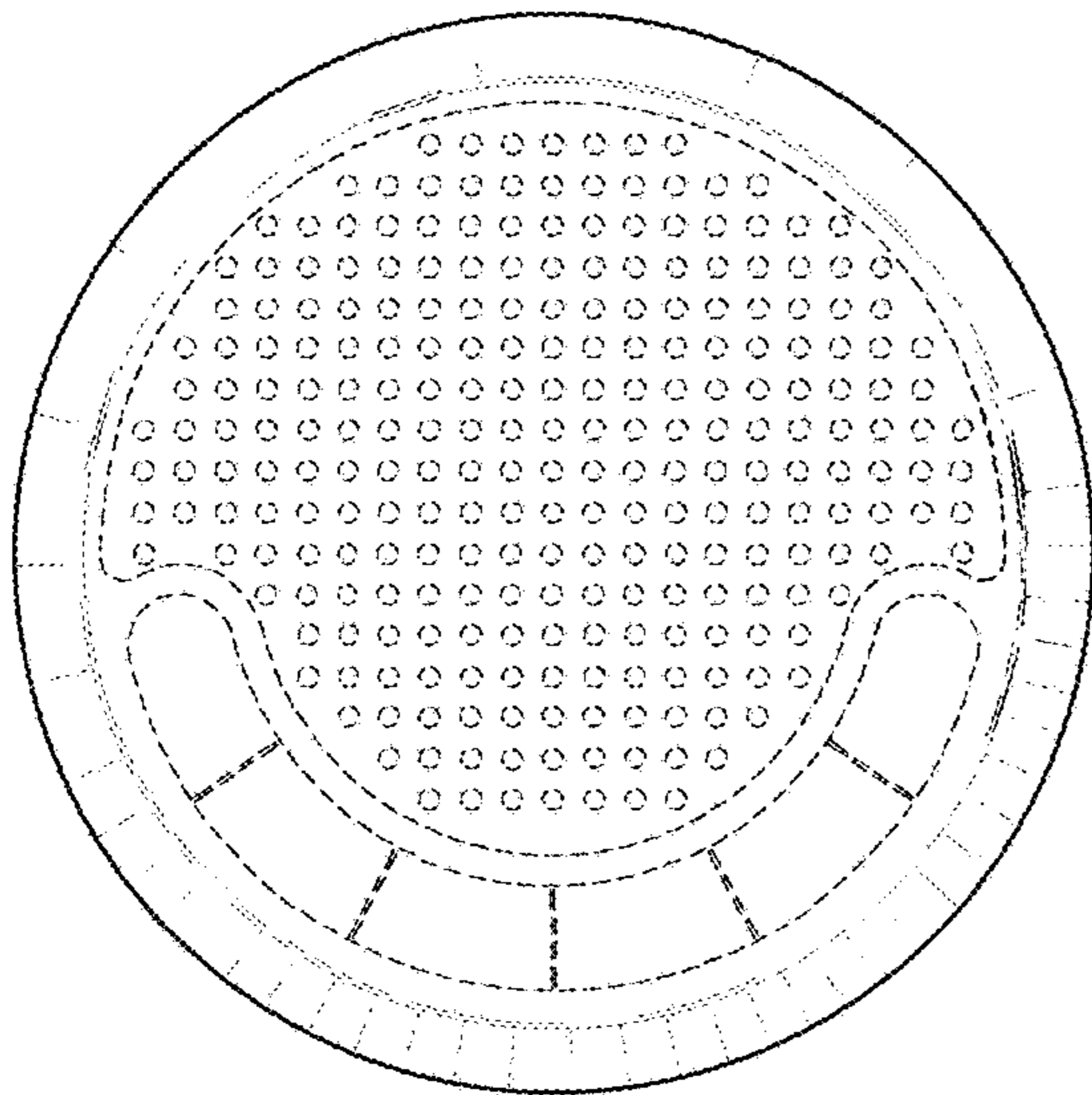


Fig. 2

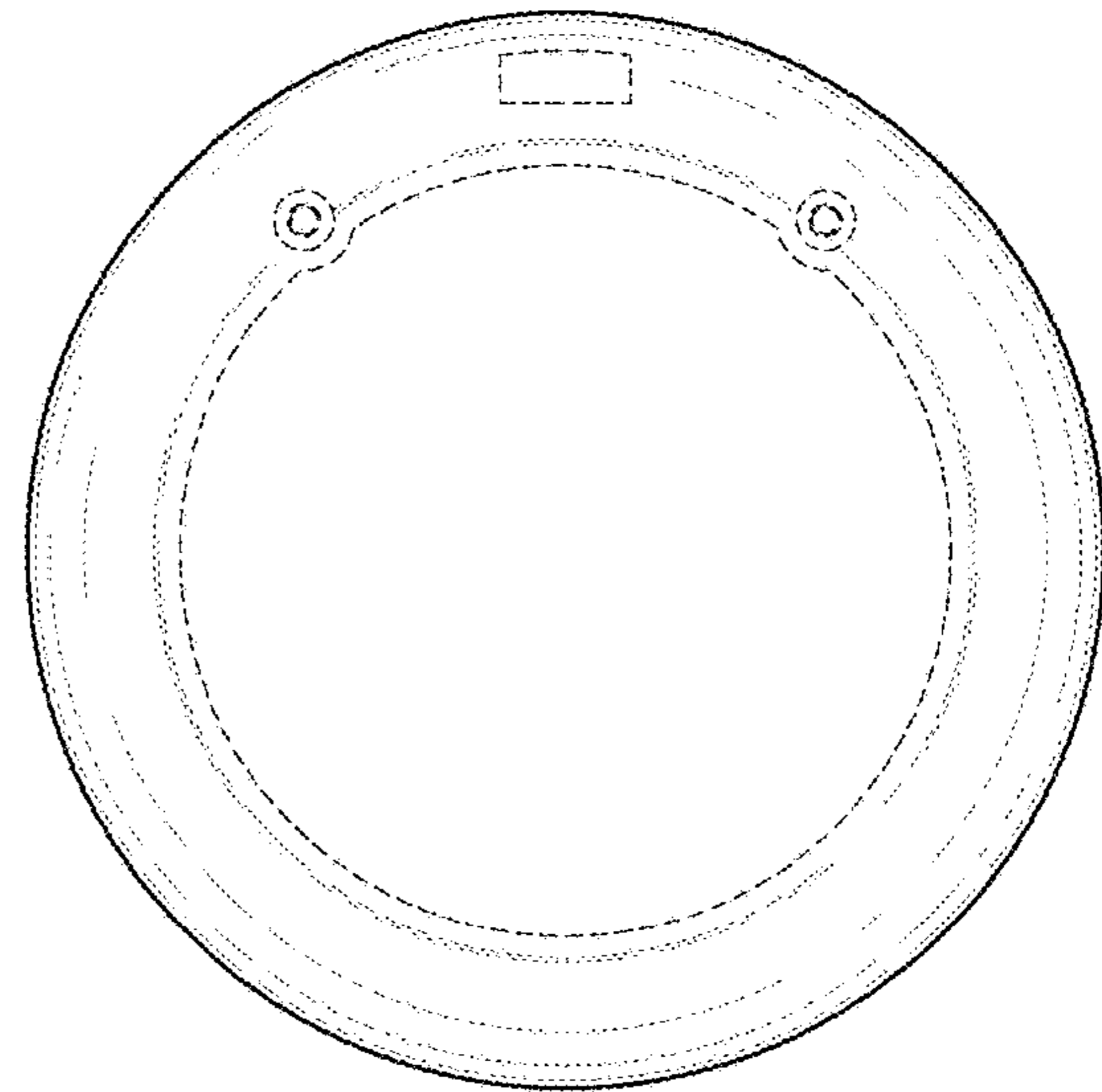


Fig. 3

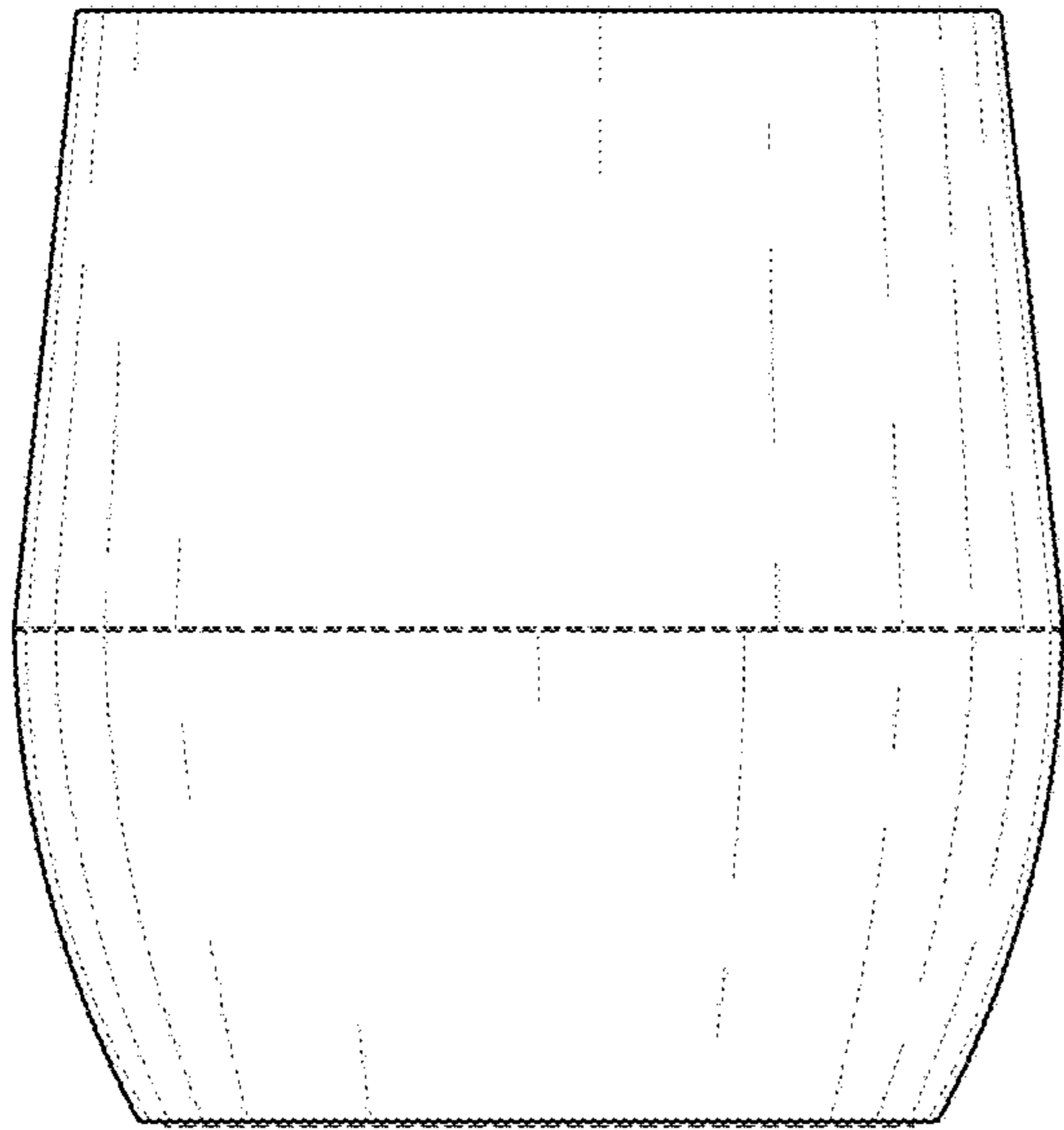


Fig. 4

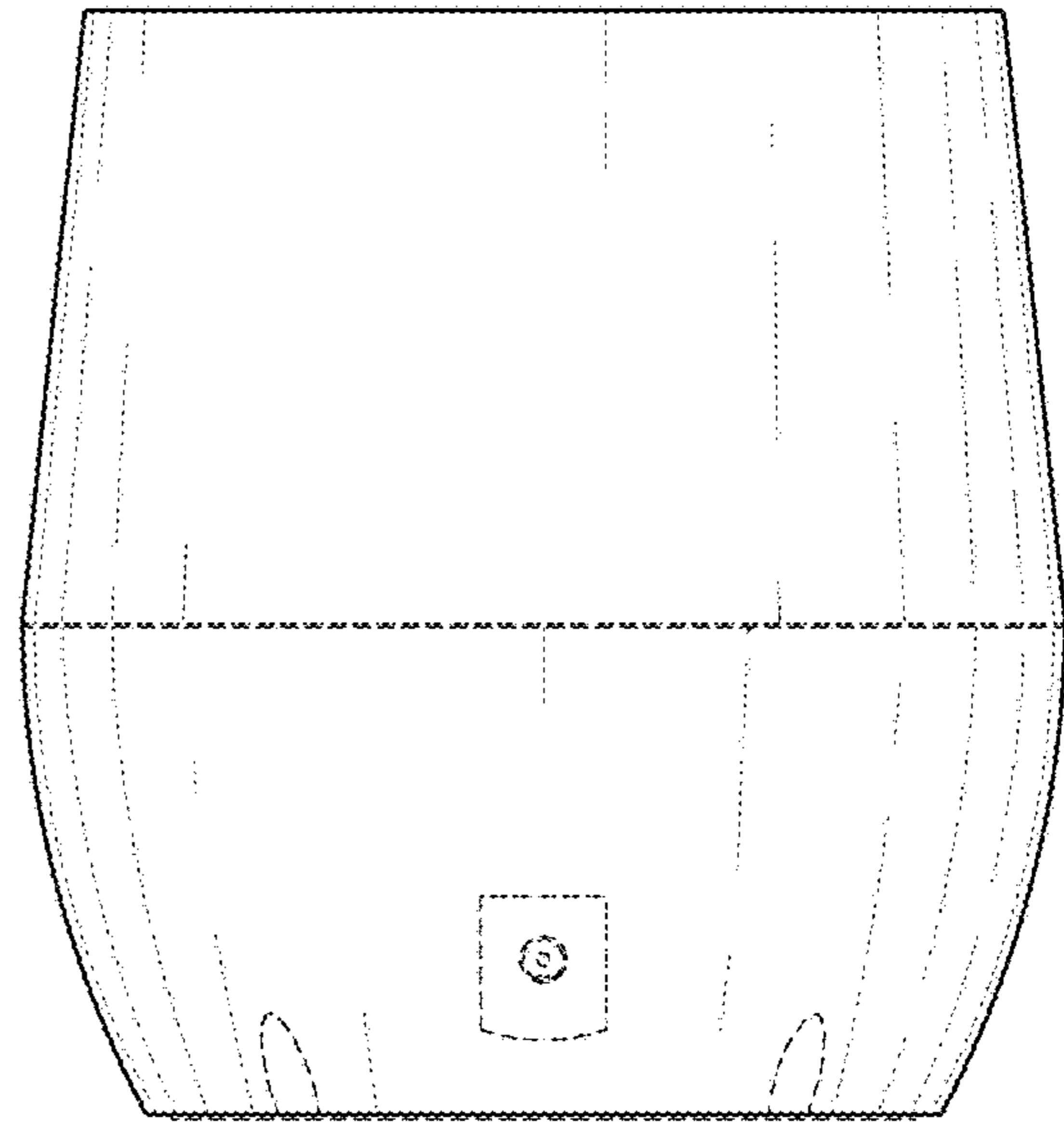


Fig. 5

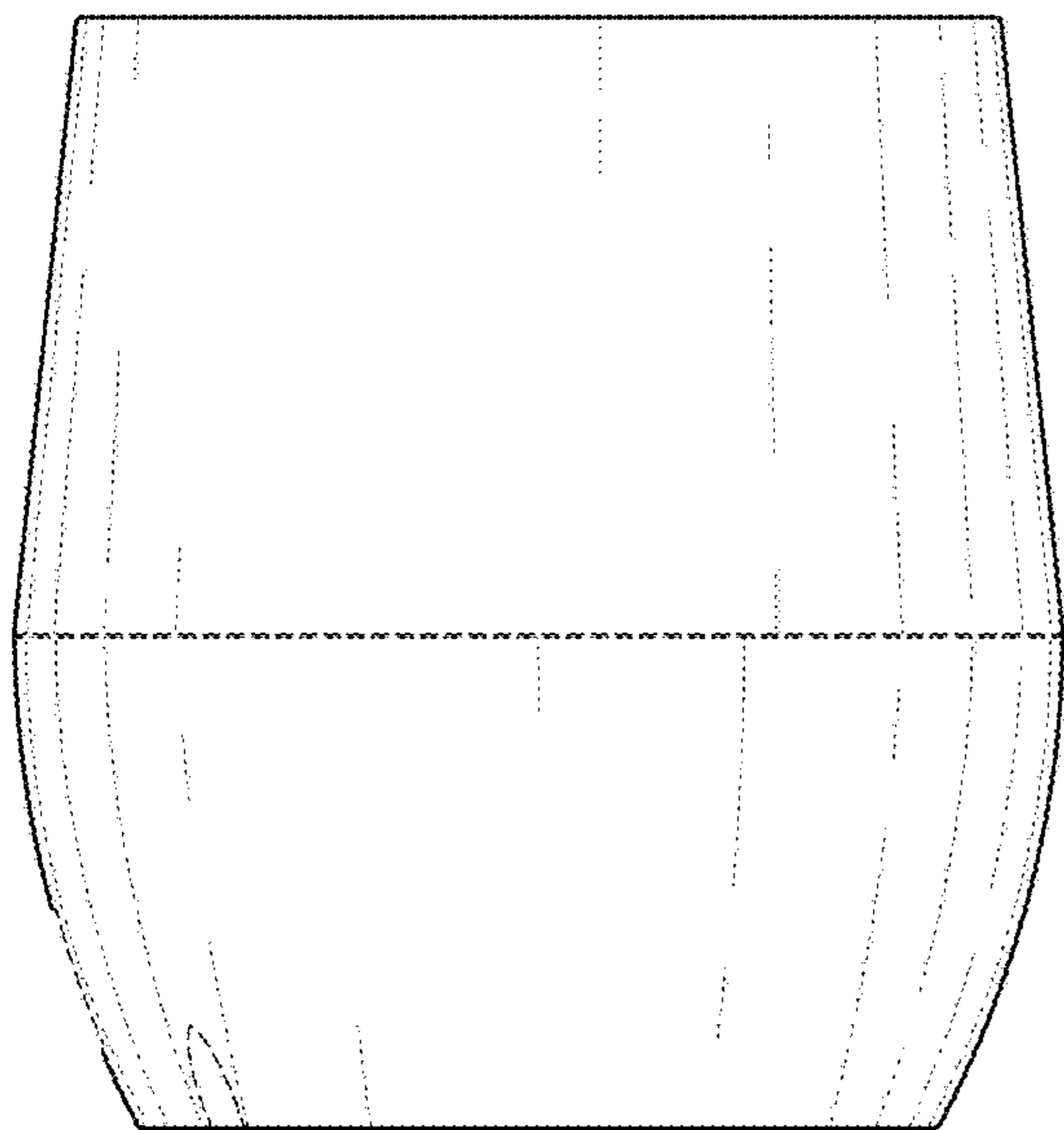


Fig. 6

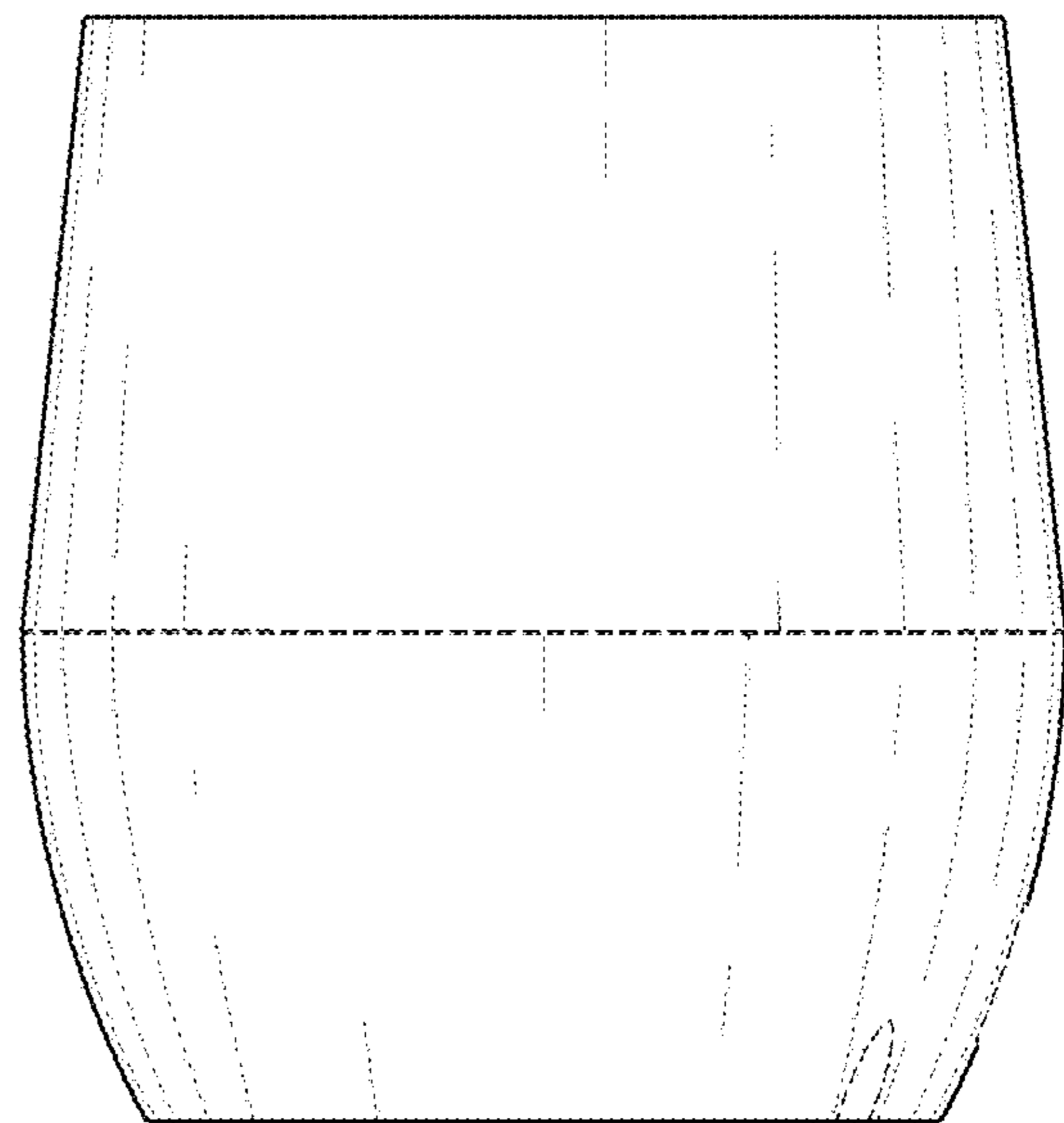


Fig. 7