



US00D927462S

(12) **United States Design Patent** (10) **Patent No.:** **US D927,462 S**  
**Kurihara** (45) **Date of Patent:** **\*\* Aug. 10, 2021**

(54) **AUDIO SYSTEM**

- (71) Applicant: **SONY CORPORATION**, Tokyo (JP)
- (72) Inventor: **Daisuke Kurihara**, Chiba (JP)
- (73) Assignee: **SONY CORPORATION**, Tokyo (JP)
- (\*\*) Term: **15 Years**
- (21) Appl. No.: **29/680,727**
- (22) Filed: **Feb. 19, 2019**

**Related U.S. Application Data**

- (63) Continuation-in-part of application No. 29/669,686, filed on Nov. 9, 2018.
- (51) **LOC (13) Cl.** ..... **14-01**
- (52) **U.S. Cl.**  
USPC ..... **D14/215; D14/204**
- (58) **Field of Classification Search**  
USPC ..... D14/204–216, 155–159, 160–173, 187,  
D14/188, 203.1–203.8, 217–222  
CPC ..... H04R 1/02; H04R 1/021; H04R 1/023;  
H04R 5/00; H04R 9/06; H04R 2420/07  
See application file for complete search history.

(56) **References Cited**

**U.S. PATENT DOCUMENTS**

D328,901 S	8/1992	Haruyama	
D391,260 S *	2/1998	Makinen	D14/214
D421,608 S *	3/2000	Shintani	D14/210
D467,572 S *	12/2002	Narita	D14/214
D516,544 S *	3/2006	Motoishi	D14/214
D517,049 S *	3/2006	Katsumata	D14/214

(Continued)

**FOREIGN PATENT DOCUMENTS**

CN	3244505 A	7/2002
CN	302650465 S	11/2013

(Continued)

**OTHER PUBLICATIONS**

Sony Jet Bass High Power Party Speaker With Karaoke, date not available, [retrieved Oct. 23, 2020], Retrieved from Internet, URL: <[https://greateasternretail.co.in/index.php?route=product/product&product\\_id=522&tag=SONY+MUSIC+SYSTEM](https://greateasternretail.co.in/index.php?route=product/product&product_id=522&tag=SONY+MUSIC+SYSTEM)> (Year: 2020).\*

(Continued)

*Primary Examiner* — Barbara Fox

*Assistant Examiner* — Aram Kwon

(74) *Attorney, Agent, or Firm* — Michael Best and Friedrich LLP

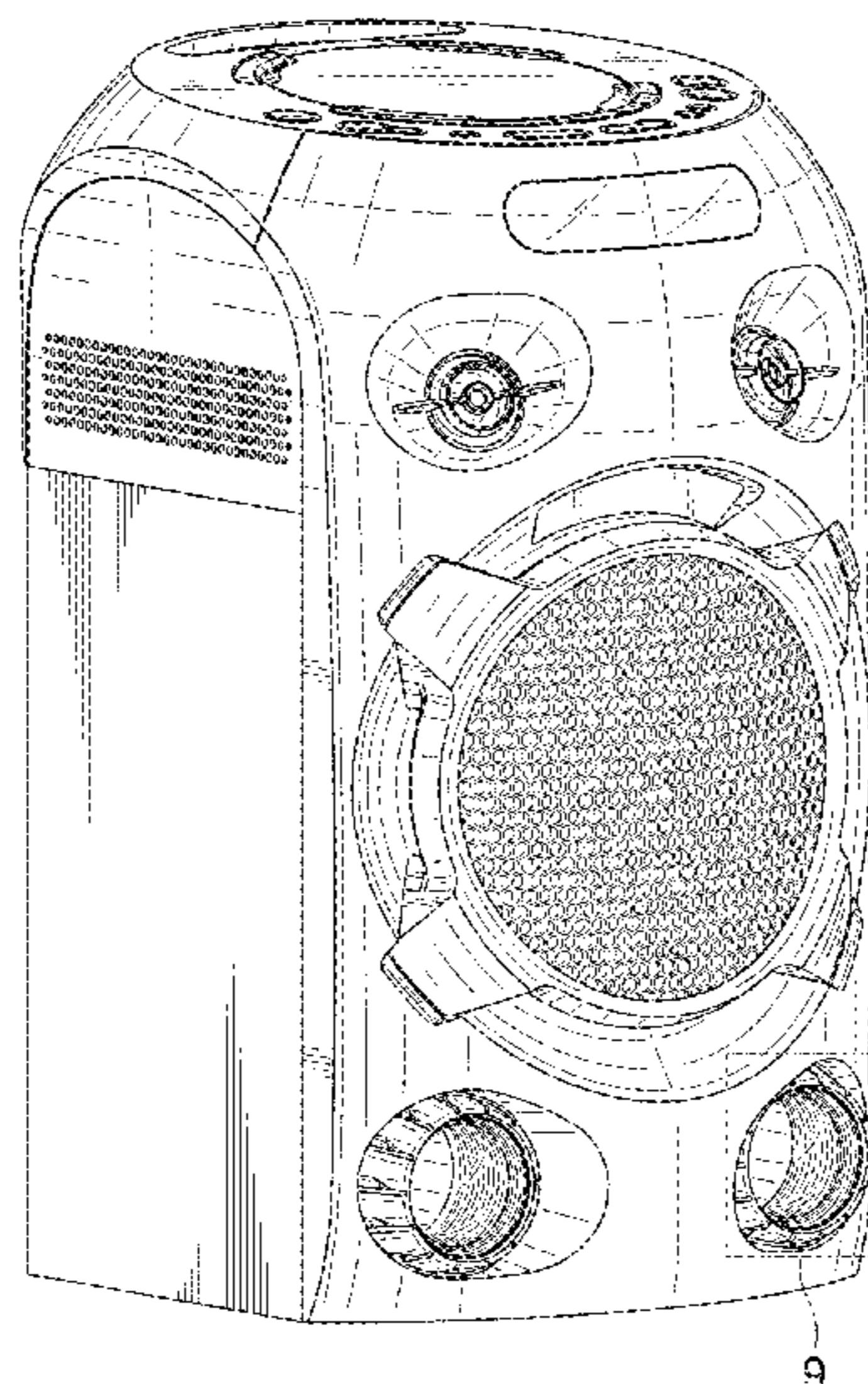
(57) **CLAIM**

The ornamental design for an audio system, as shown and described.

**DESCRIPTION**

FIG. 1 is a front, left perspective view of an audio system showing my new design;  
 FIG. 2 is a front, right perspective view thereof;  
 FIG. 3 is a front elevational view thereof;  
 FIG. 4 is a rear elevational view thereof;  
 FIG. 5 is a left side elevational view thereof;  
 FIG. 6 is a right side elevational view thereof;  
 FIG. 7 is a top plan view thereof; and  
 FIG. 8 is a bottom plan view thereof.  
 FIG. 9 is an enlargement of the portion shown in double dot-dash lines in FIG. 1;  
 FIG. 10 is an enlargement of the portion shown in double dot-dash lines in FIG. 2; and,  
 FIG. 11 is an enlargement of the portion shown in double dot-dash lines in FIG. 3.  
 The even-dash broken lines depict portions of the audio system that form no part of the claimed design. The double dot-dash broken lines in the drawings showing the enlargements form no part of the claimed design.

**1 Claim, 10 Drawing Sheets**



(56)

References Cited

U.S. PATENT DOCUMENTS

D518,818 S \* 4/2006 Motoishi ..... D14/214  
 D542,275 S \* 5/2007 Hibino ..... D14/214  
 D542,276 S \* 5/2007 Hibino ..... D14/214  
 D542,277 S \* 5/2007 Hibino ..... D14/214  
 D544,855 S \* 6/2007 Hibino ..... D14/214  
 D580,408 S 11/2008 Oikawa  
 D580,913 S 11/2008 Omori et al.  
 D581,901 S \* 12/2008 Pincek ..... D14/214  
 D585,437 S 1/2009 Yagihashi  
 D592,645 S \* 5/2009 Motoishi ..... D14/215  
 D646,666 S 10/2011 Maeyama  
 D685,765 S 7/2013 Yagihashi et al.  
 D691,117 S 10/2013 Silvera  
 D729,769 S \* 5/2015 Yoo ..... D14/214  
 D729,770 S \* 5/2015 Yoo ..... D14/214  
 D753,071 S 4/2016 Choi et al.  
 D771,586 S \* 11/2016 Kim ..... D14/204  
 D826,902 S \* 8/2018 Eaton ..... D14/209.1  
 D864,893 S 10/2019 Lee et al.  
 D875,065 S \* 2/2020 Lee ..... D14/204  
 D891,394 S 7/2020 Kim et al.  
 D891,395 S 7/2020 Kim et al.  
 D892,762 S 8/2020 Yang  
 D900,059 S 10/2020 Komiyama  
 D905,008 S 12/2020 Kim et al.  
 D912,010 S 3/2021 Luo  
 2013/0329929 A1 \* 12/2013 Yoshida ..... H04R 1/02  
 381/334

FOREIGN PATENT DOCUMENTS

CN 302650466 S 11/2013  
 CN 303256757 S 6/2015  
 CN 304056090 S 2/2017  
 CN 201930488840.0 \* 3/2020  
 EM 000225602-0002 S 9/2004  
 EM 002109231-0001 S 9/2012  
 EM 002280370-0002 S 7/2013  
 EM 003542679-0002 \* 4/2017  
 EM 005943420-0001 \* 3/2019  
 KR 3020170037424 \* 9/2018

OTHER PUBLICATIONS

Sony—V21 High-Power Audio System with Bluetooth, review date 2019 [online], [retrieved Oct. 23, 2020], Retrieved from internet, URL: <<https://www.bestbuy.com/site/sony-v21-high-power-audio-system-with-bluetooth-black/6292080.p?skuId=6292080>> (Year: 2019).\*

Office Action issued in U.S. Appl. No. 29/669,686, dated Nov. 17, 2020.

Office Action issued in U.S. Appl. No. 29/669,686, dated Apr. 2, 2021.

\* cited by examiner

FIG. 1

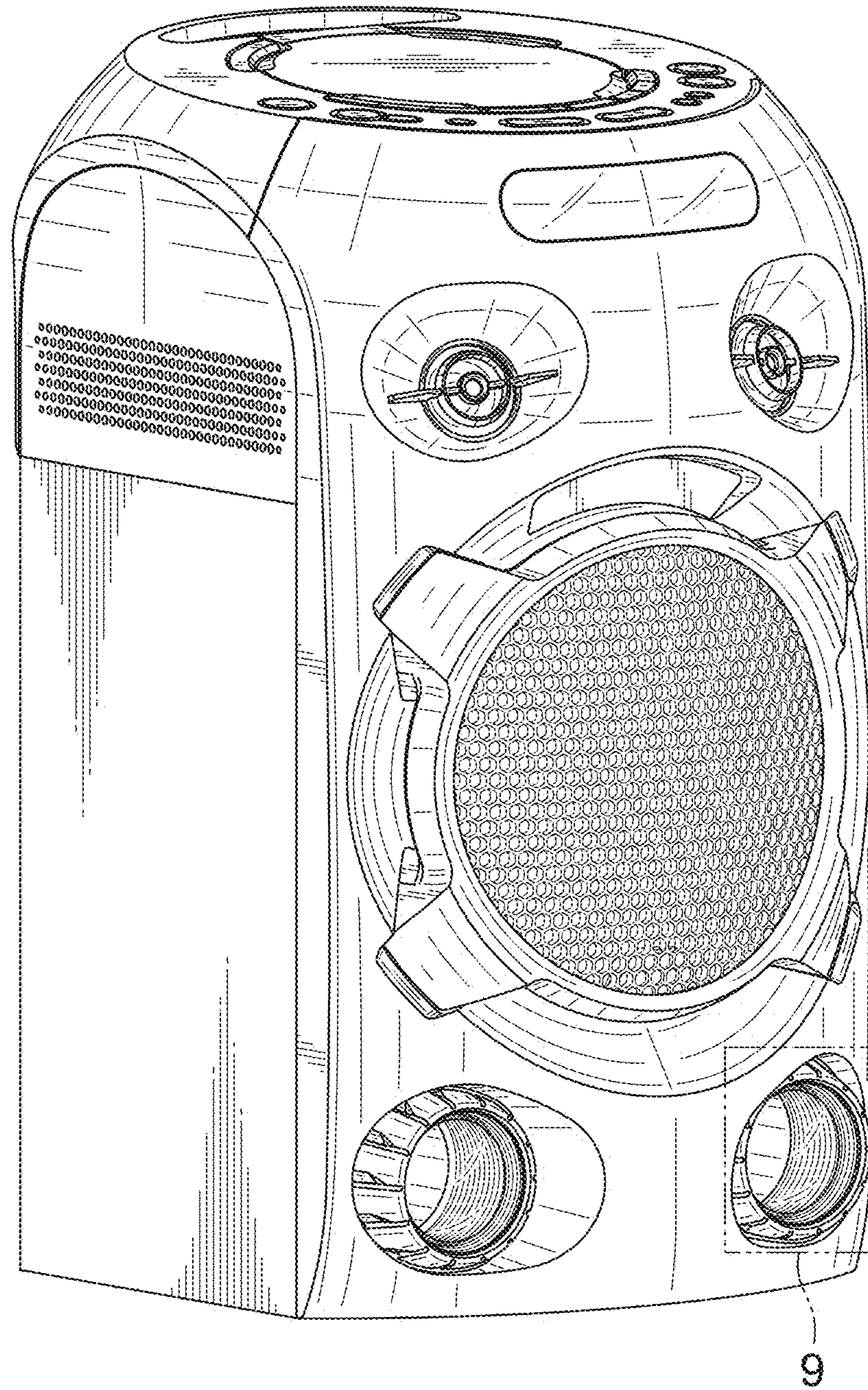
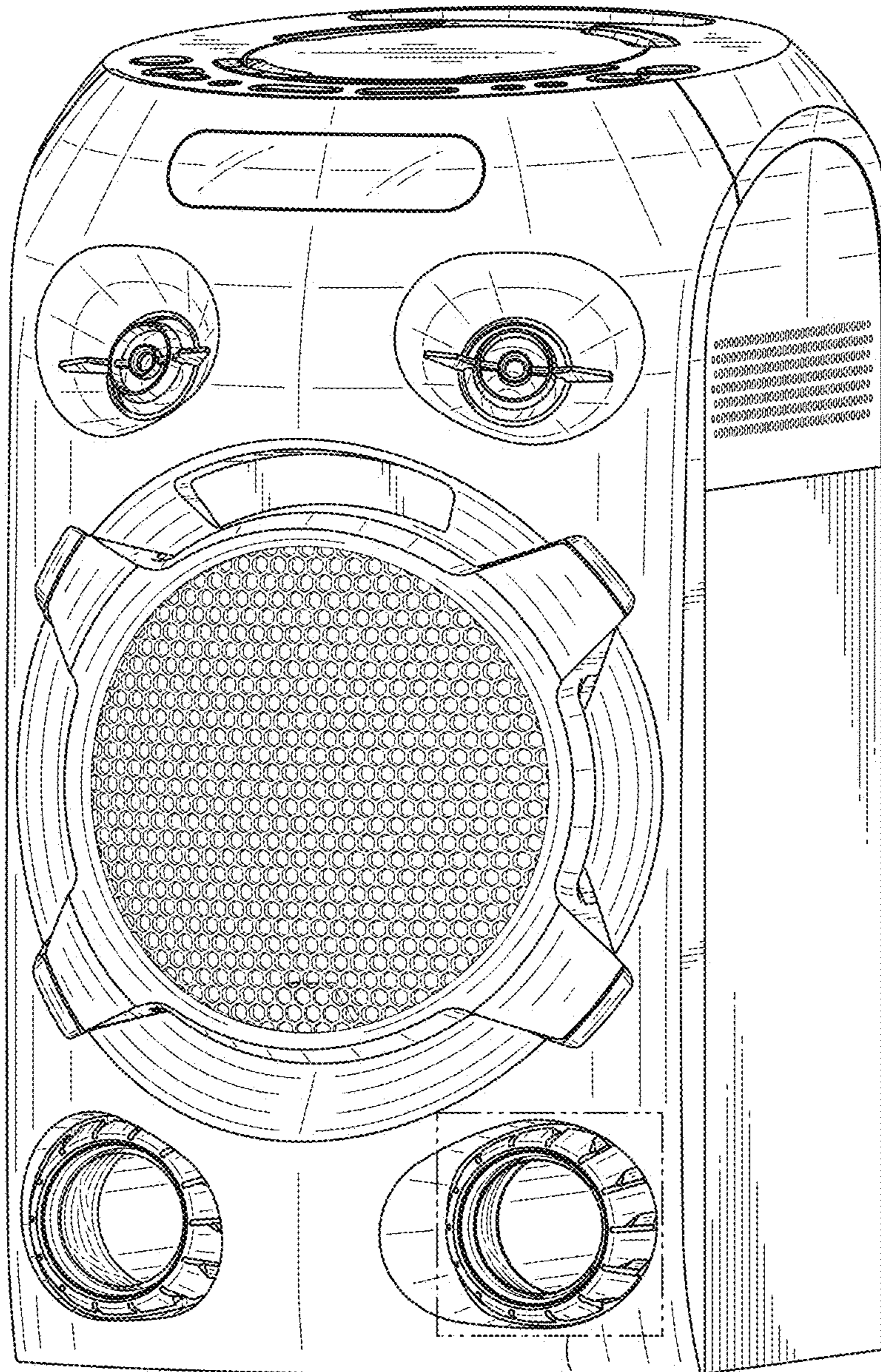
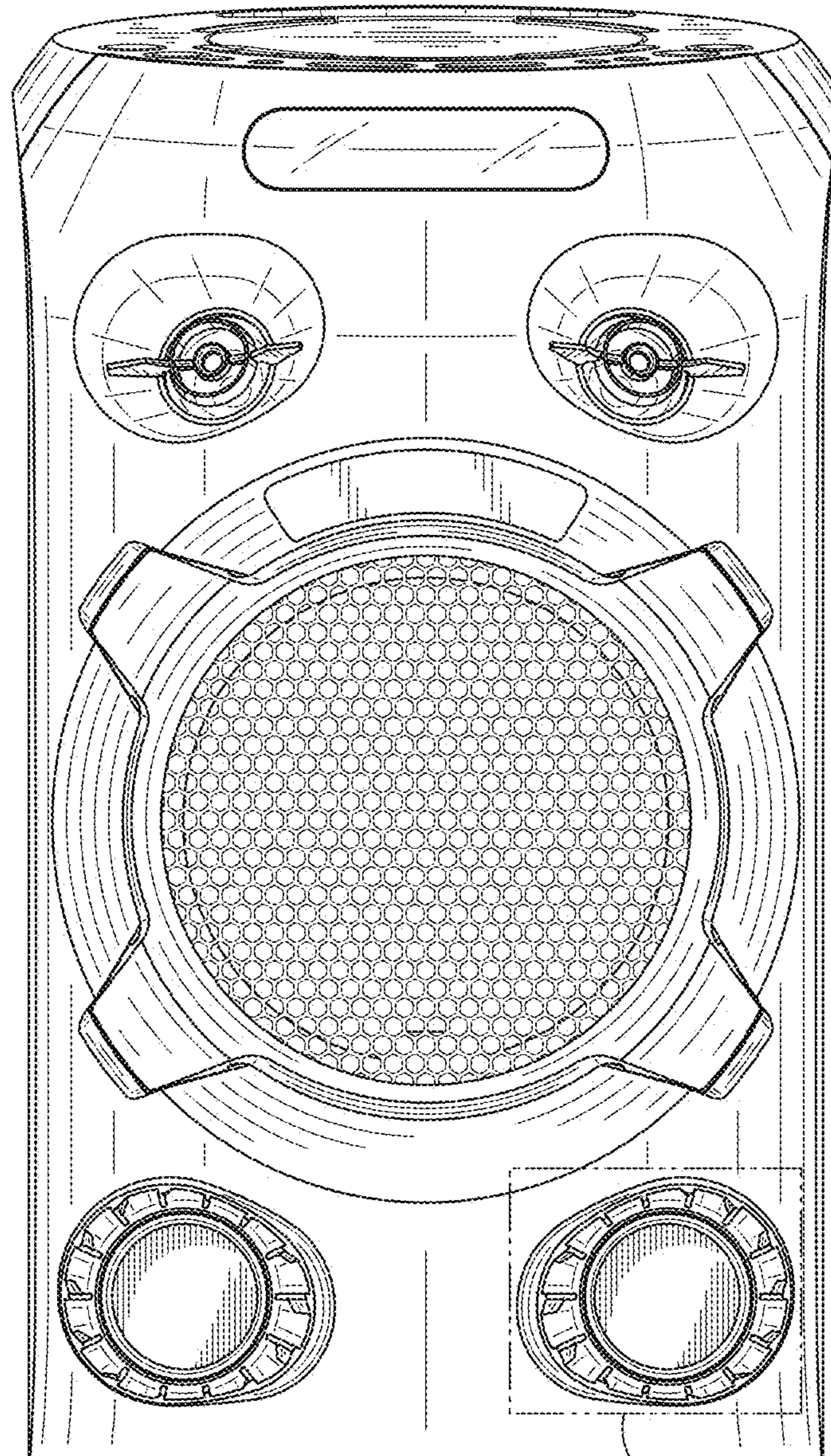


FIG. 2



10

FIG. 3



11

FIG. 4

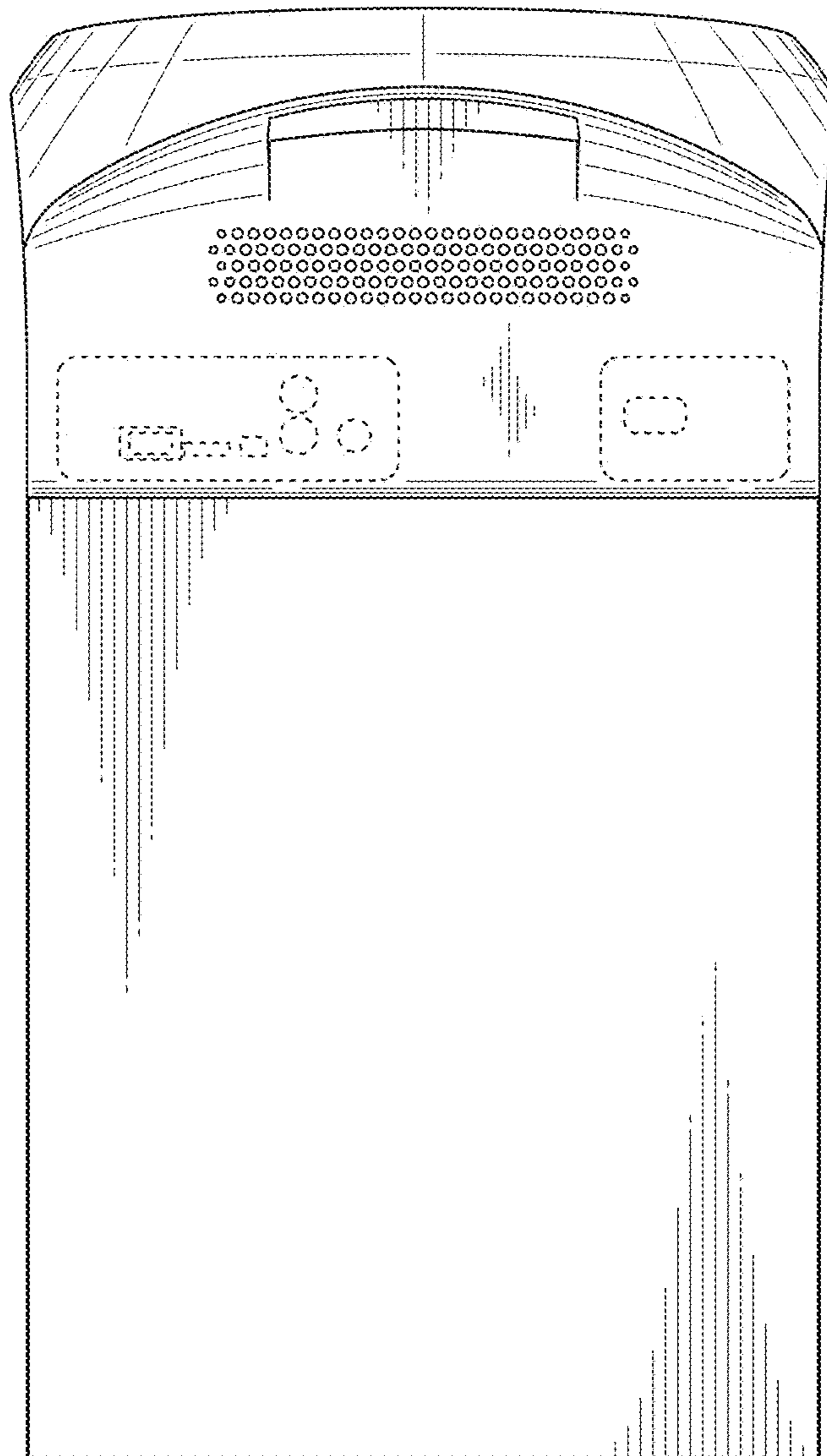


FIG. 5

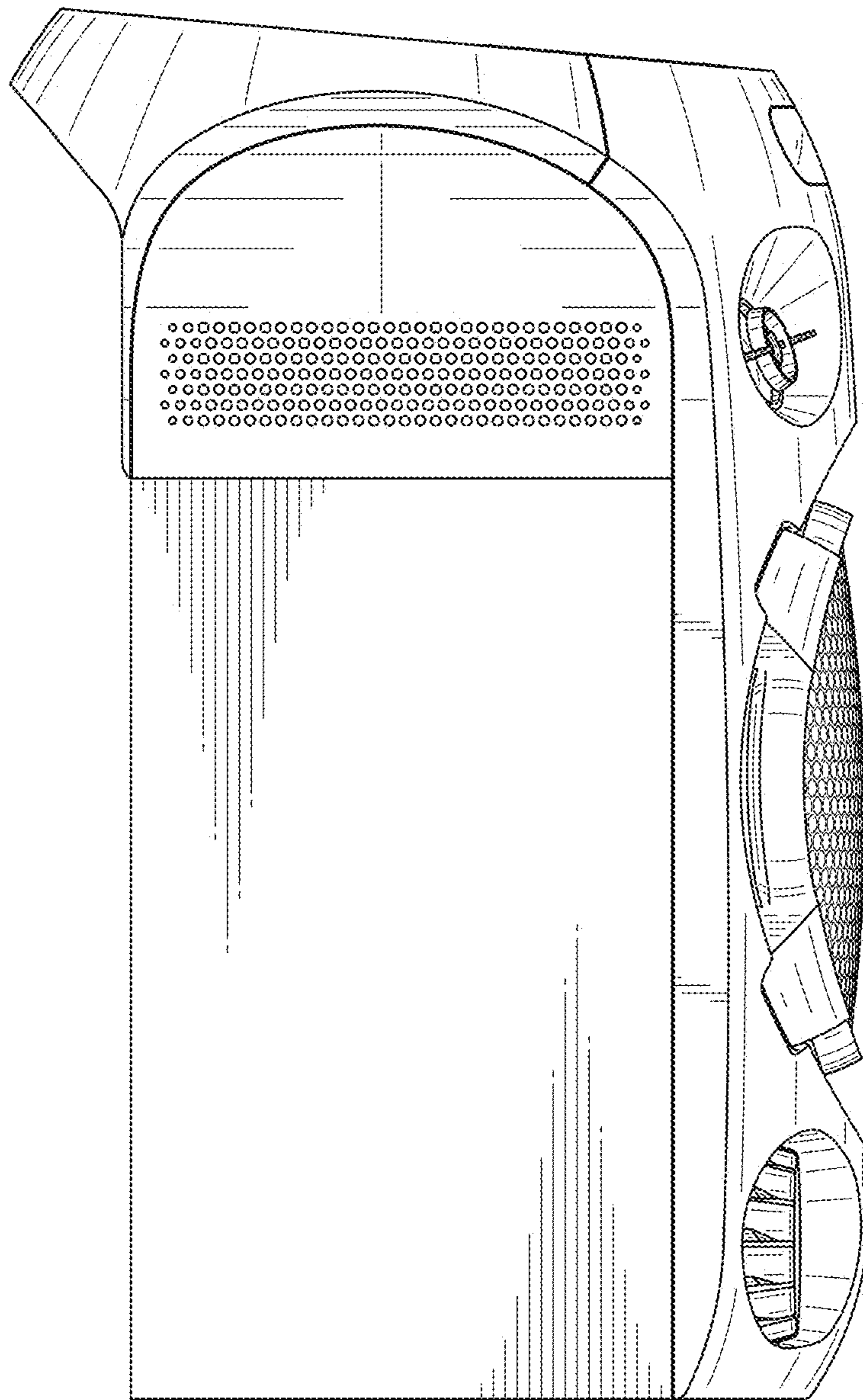
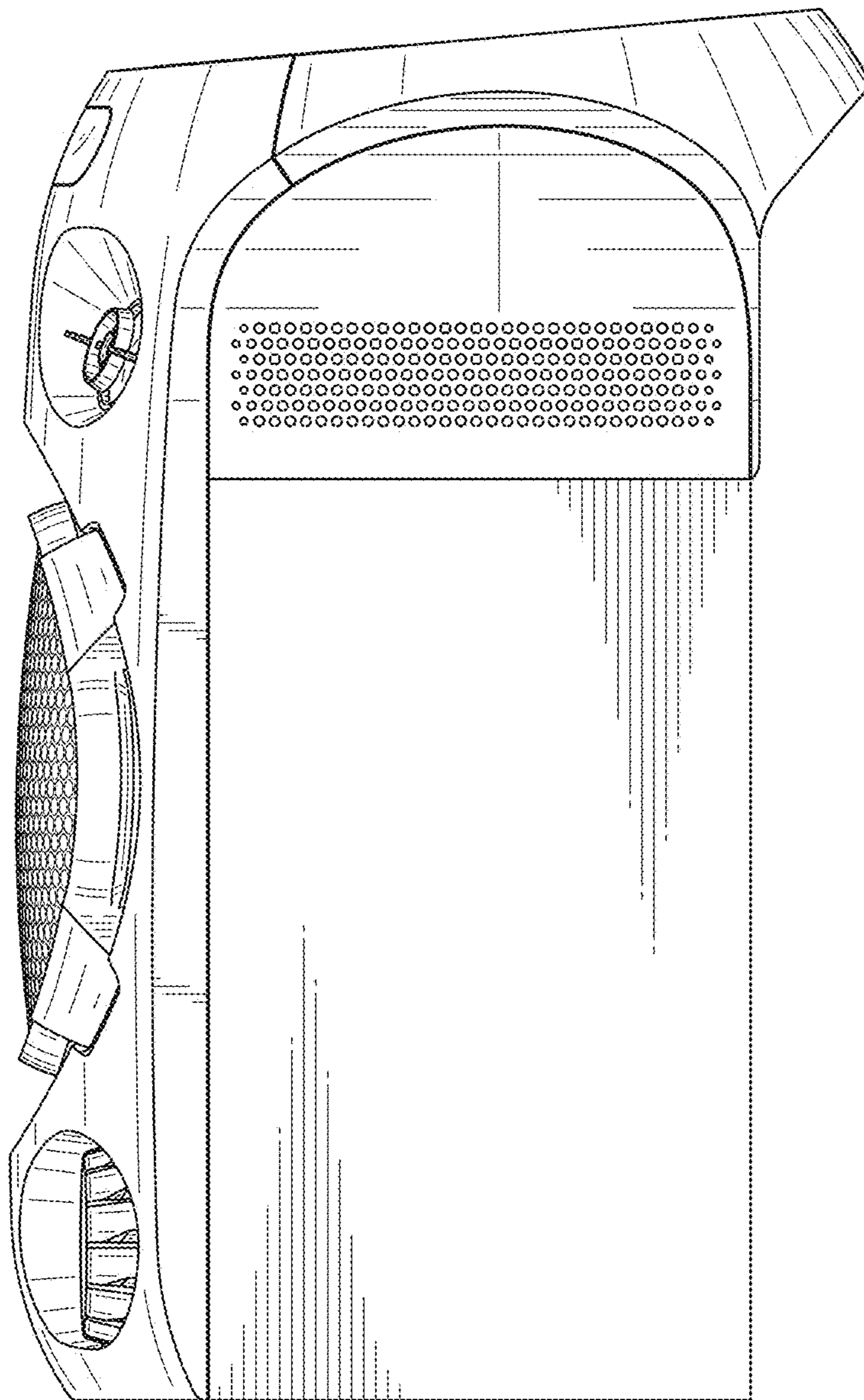
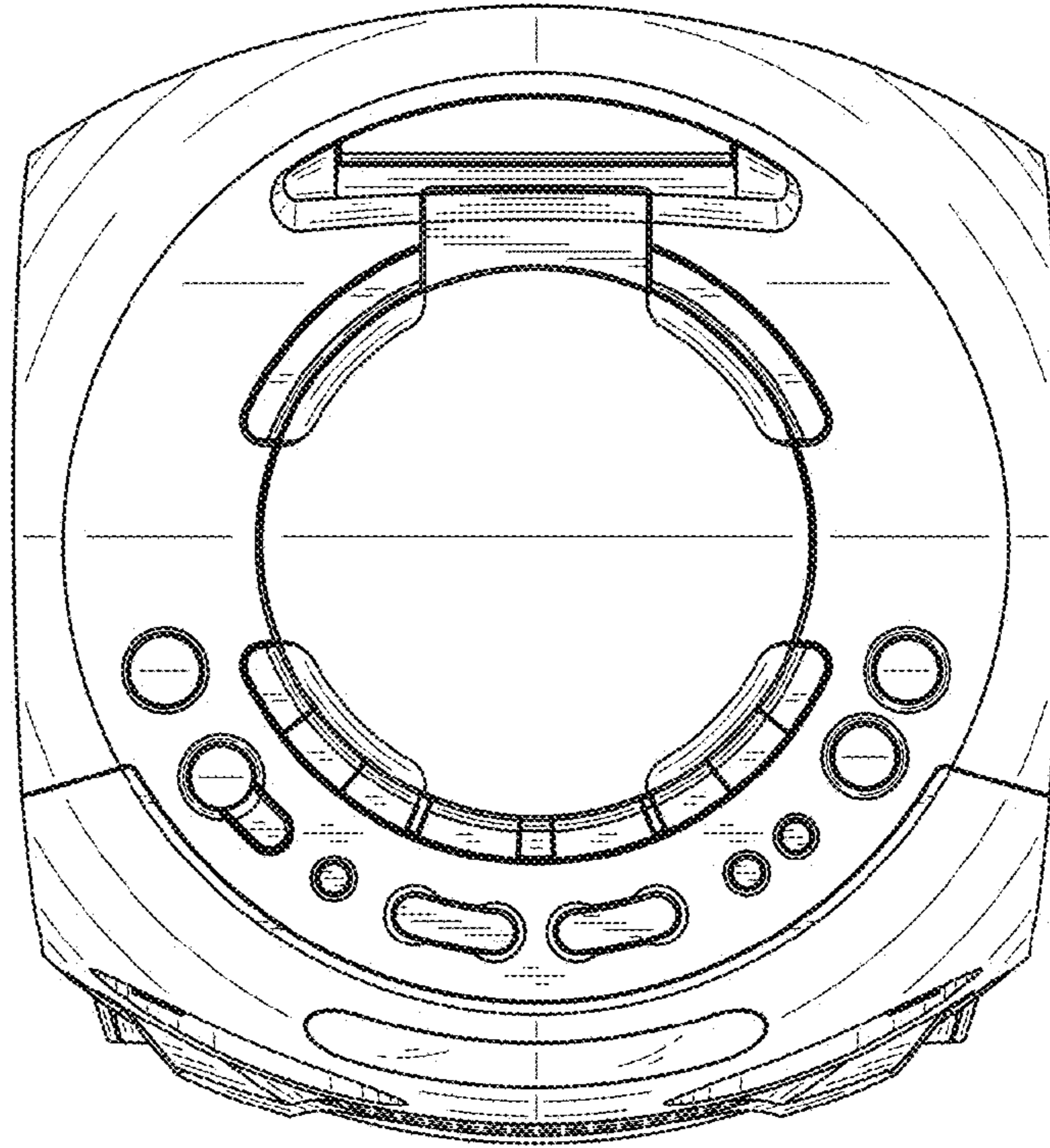


FIG. 6





*FIG. 7*



*FIG. 8*

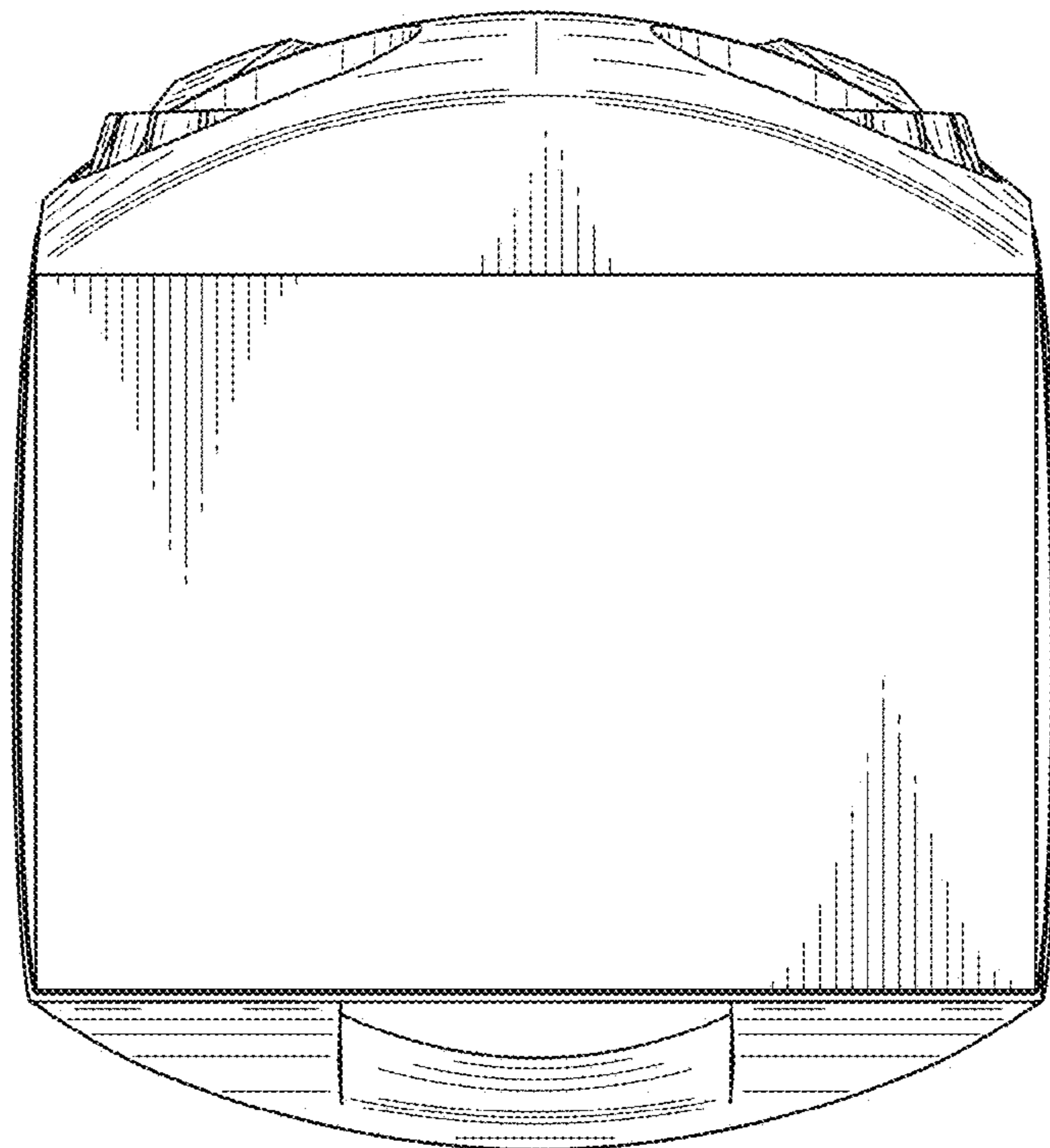


FIG. 9

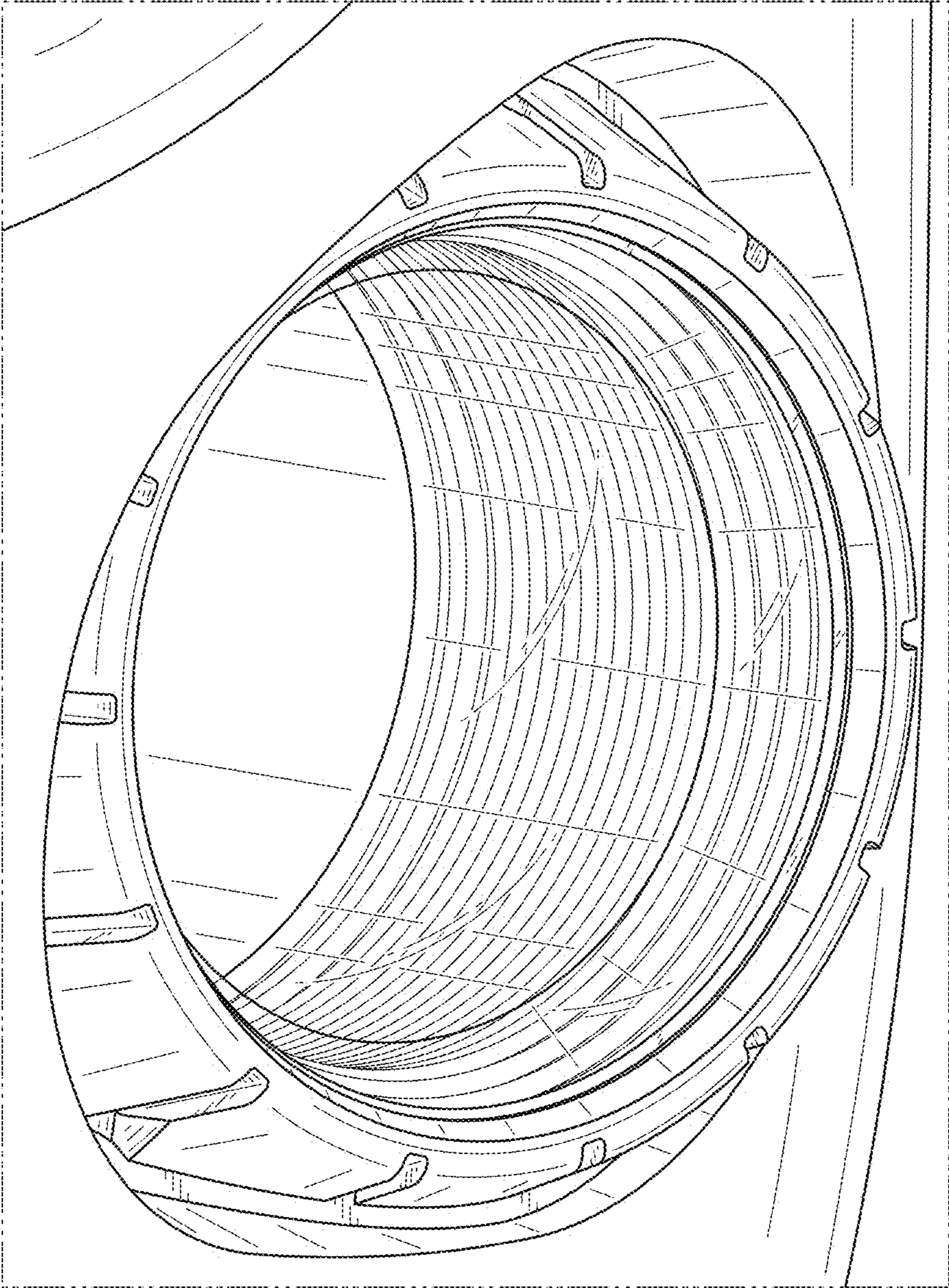


FIG. 10

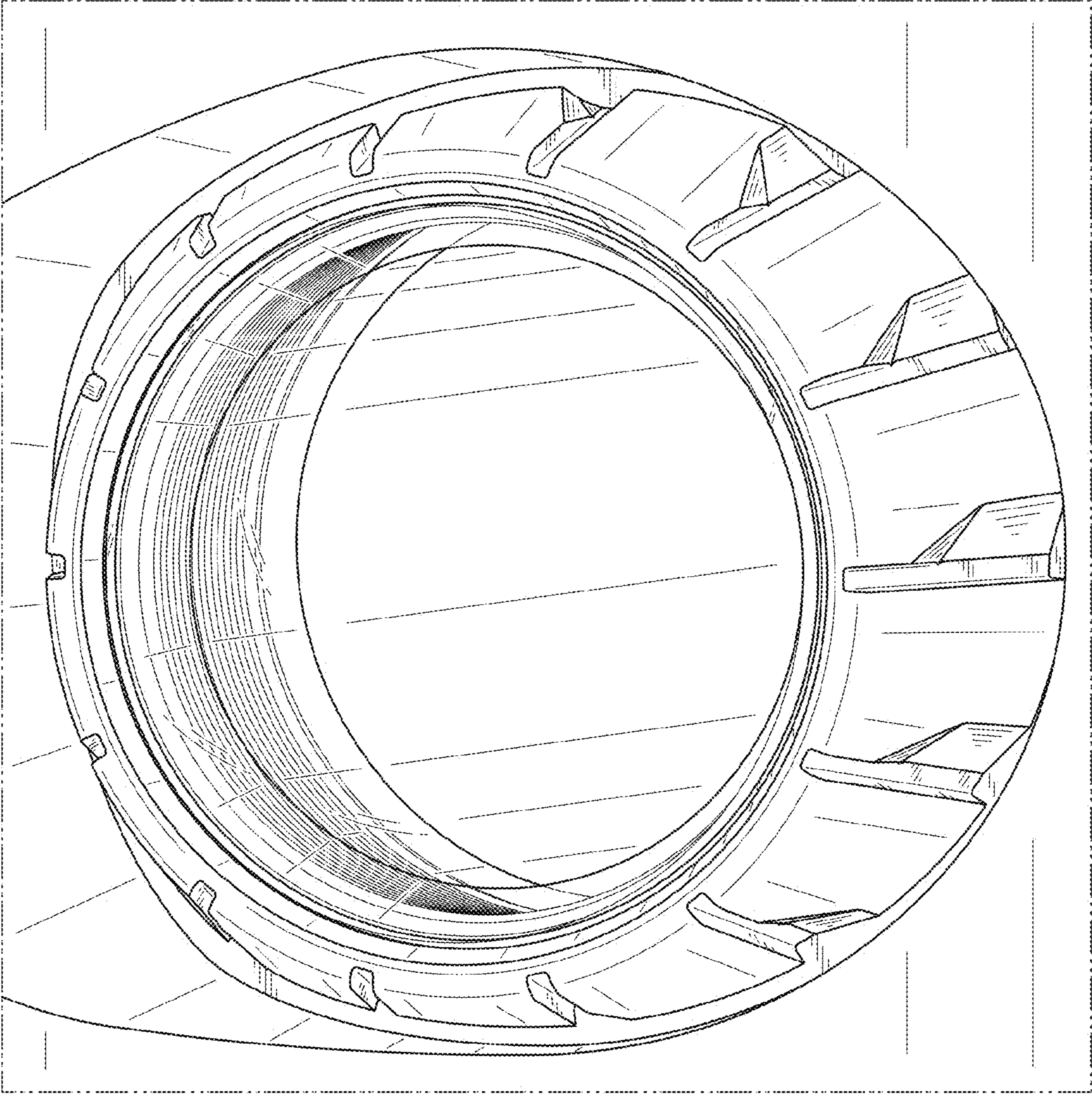


FIG. 11

