



US00D927460S

(12) **United States Design Patent** (10) **Patent No.:** **US D927,460 S**
Combet (45) **Date of Patent:** **** Aug. 10, 2021**

(54) **LOUDSPEAKER**
(71) Applicant: **L-ACOUSTICS**, Marcoussis (FR)
(72) Inventor: **Christophe Combet**, Marcoussis (FR)
(**) Term: **15 Years**

D754,097 S * 4/2016 Pineau D14/204
D754,628 S * 4/2016 Baird D14/204
D818,988 S * 5/2018 Kitazawa D14/204
D826,903 S * 8/2018 Yang D14/210
D836,596 S * 12/2018 Warden D14/204
D851,619 S * 6/2019 McManigal D14/204
D856,964 S * 8/2019 Pineau D14/204

(21) Appl. No.: **35/509,106**

(22) Filed: **Apr. 2, 2020**

(80) **Hague Agreement Data**

Int. Filing Date: **Apr. 2, 2020**
Int. Reg. No.: **DM/207063**
Int. Reg. Date: **Apr. 2, 2020**
Int. Reg. Pub. Date: **Apr. 17, 2020**

(51) **LOC (13) Cl.** **14-01**

(52) **U.S. Cl.**
USPC **D14/209.1**; D14/204

(58) **Field of Classification Search**
USPC D14/172, 188, 194, 203.1, 204, 209.1,
D14/211, 212, 214, 215, 221
CPC H04R 2420/07; H04R 5/02; H04R 1/403;
H04R 2201/028

See application file for complete search history.

(56) **References Cited**

U.S. PATENT DOCUMENTS

D381,335 S * 7/1997 Whitehead D14/204
D517,525 S * 3/2006 Baird D14/204
D571,356 S * 6/2008 Smith D14/168
D591,724 S * 5/2009 Davies D14/214
D609,216 S * 2/2010 Davies D14/214
D637,580 S * 5/2011 Aranda, Jr. D14/214
D673,933 S * 1/2013 McManigal D14/214
D680,097 S * 4/2013 Davies D14/215
D714,259 S * 9/2014 Galler D14/221
D727,874 S * 4/2015 Christner D14/210

OTHER PUBLICATIONS

L-Acoustics Arcs Wide & Arcs Focus, publication date Dec. 14, 2015, [online][site visited Feb. 24, 2021] URL: <https://www.youtube.com/watch?v=IJP8dTpxDT0> (Year: 2015).*
L-Acoustics ARCS [Prolight+Sound 2019] publication date Apr. 15, 2019, [online][site visited Feb. 24, 2021] URL: <https://www.youtube.com/watch?v=9HZn9g18bJs> (Year: 2019).*
Presenting the New A Series by L-Acoustics, publication date Jun. 4, 2019, [online][site visited Feb. 24, 2021] URL: <https://www.youtube.com/watch?v=IWM9K37XkhE> (Year: 2019).*

* cited by examiner

Primary Examiner — L. A. Grabenstetter

(57) **CLAIM**

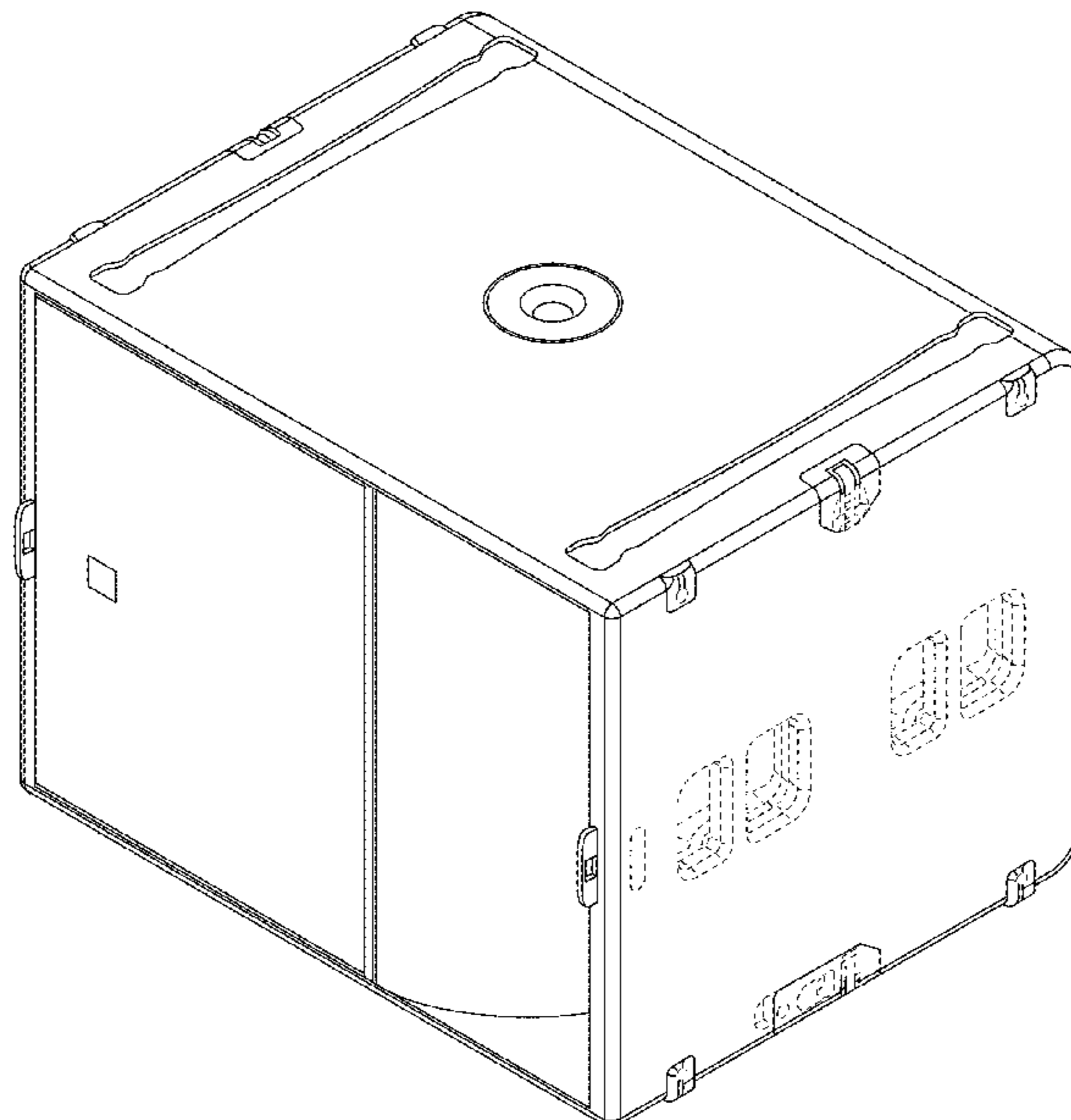
The ornamental design for a loudspeaker, as shown and described.

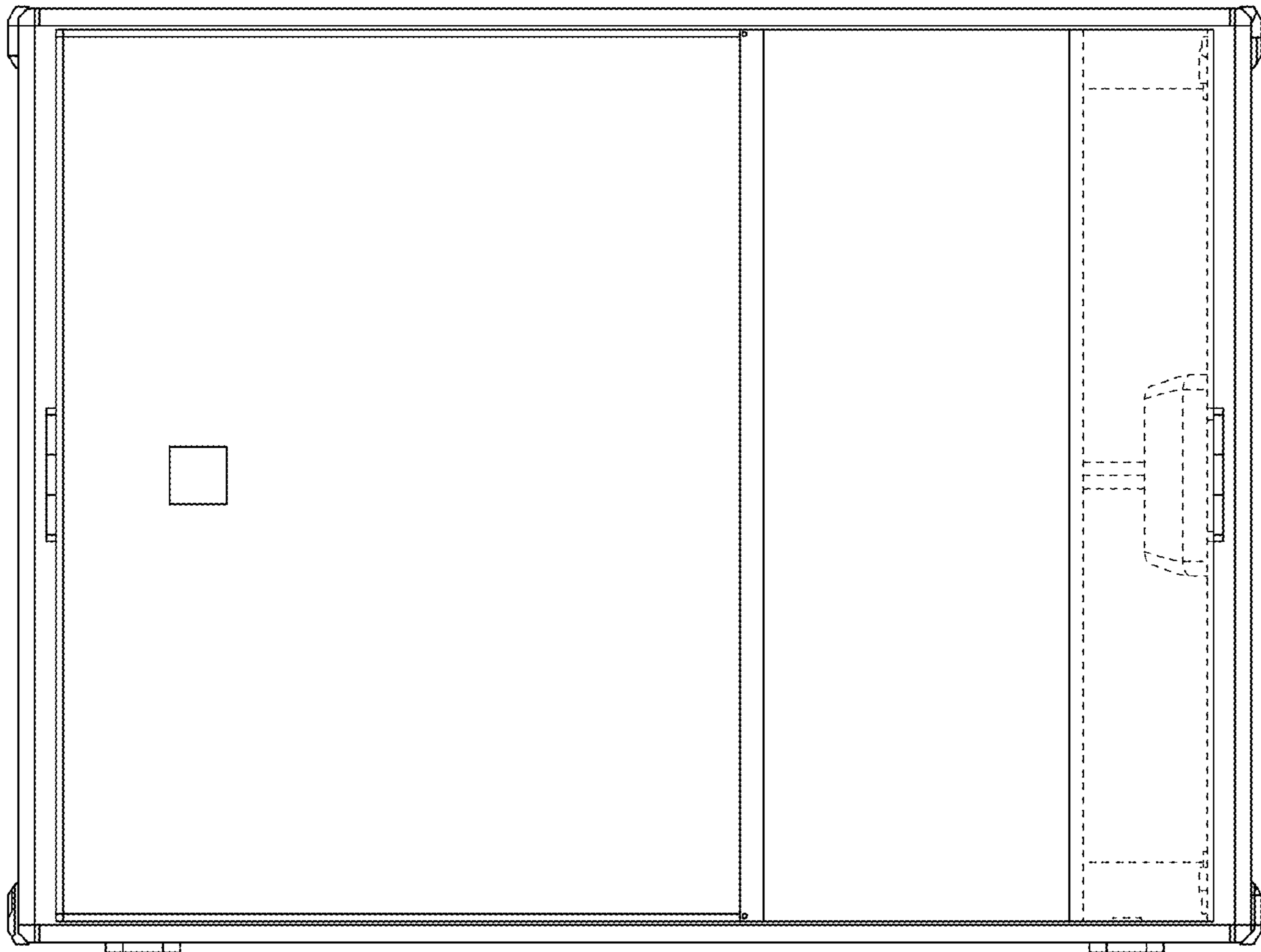
DESCRIPTION

- 1. Loudspeaker
- 1.1 : Front
- 1.2 : Back
- 1.3 : Top
- 1.4 : Bottom
- 1.5 : Right
- 1.6 : Left
- 1.7 : Perspective

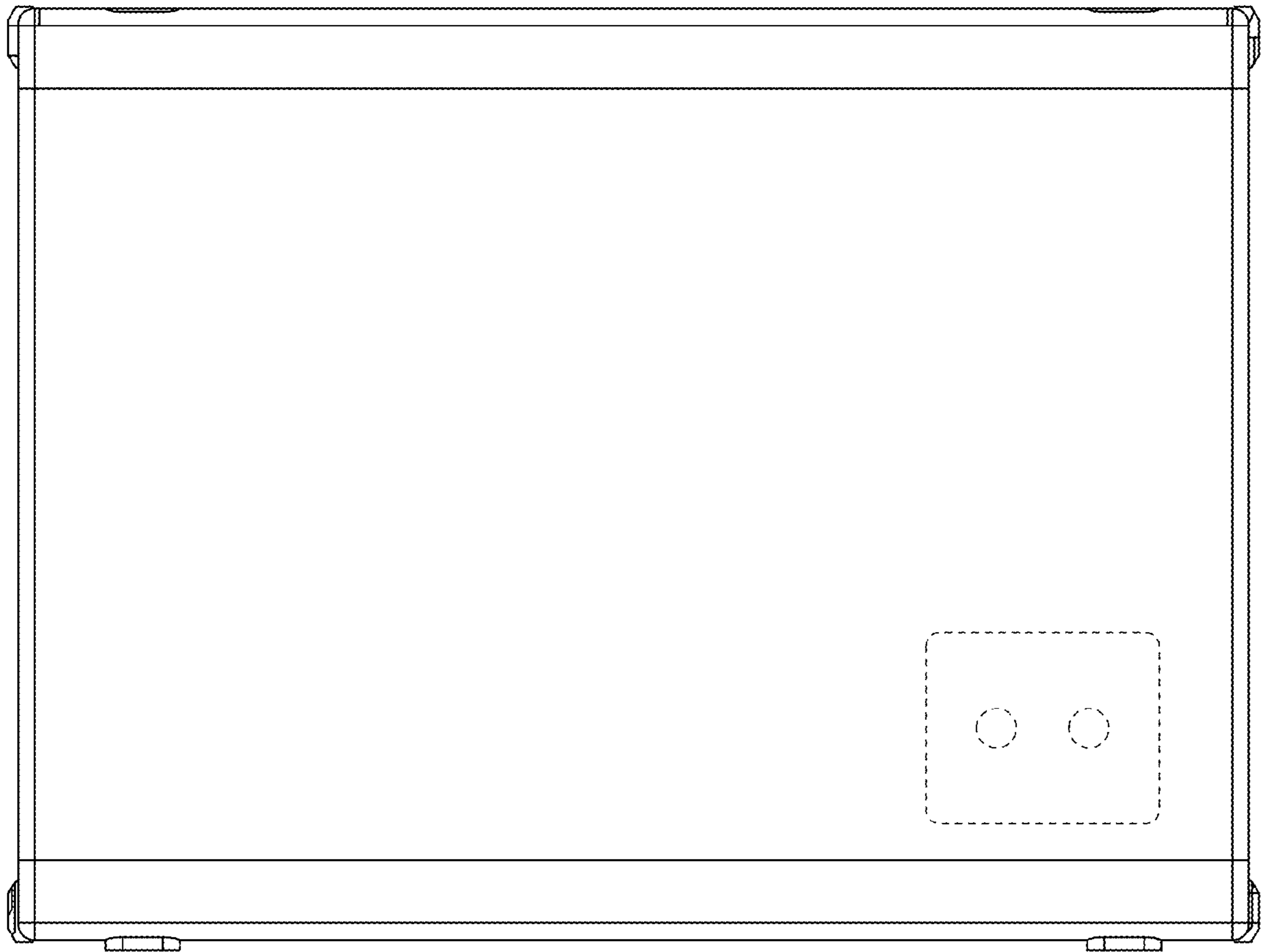
Portions of the loudspeaker shown in broken lines form no part of the claimed design.

1 Claim, 7 Drawing Sheets

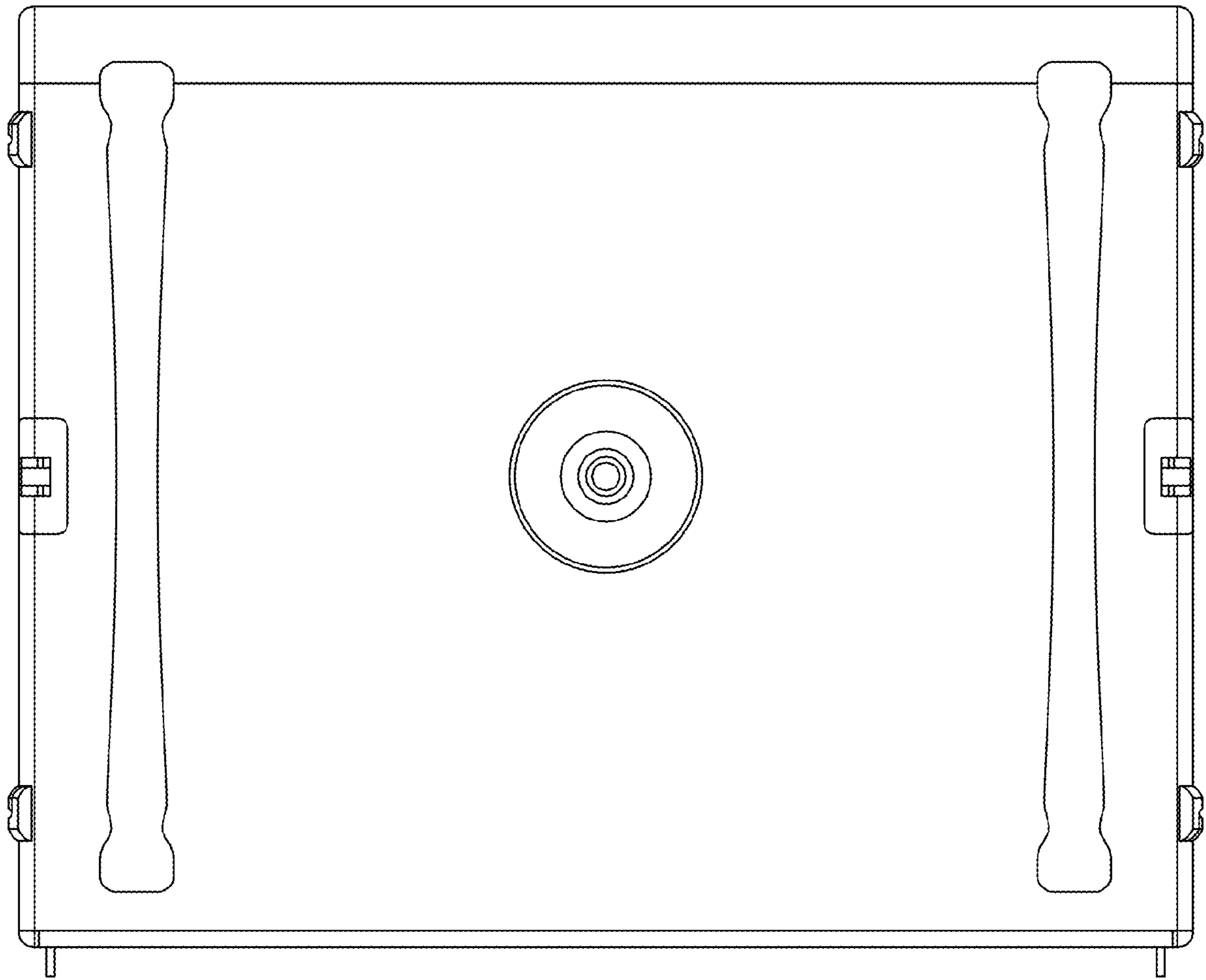




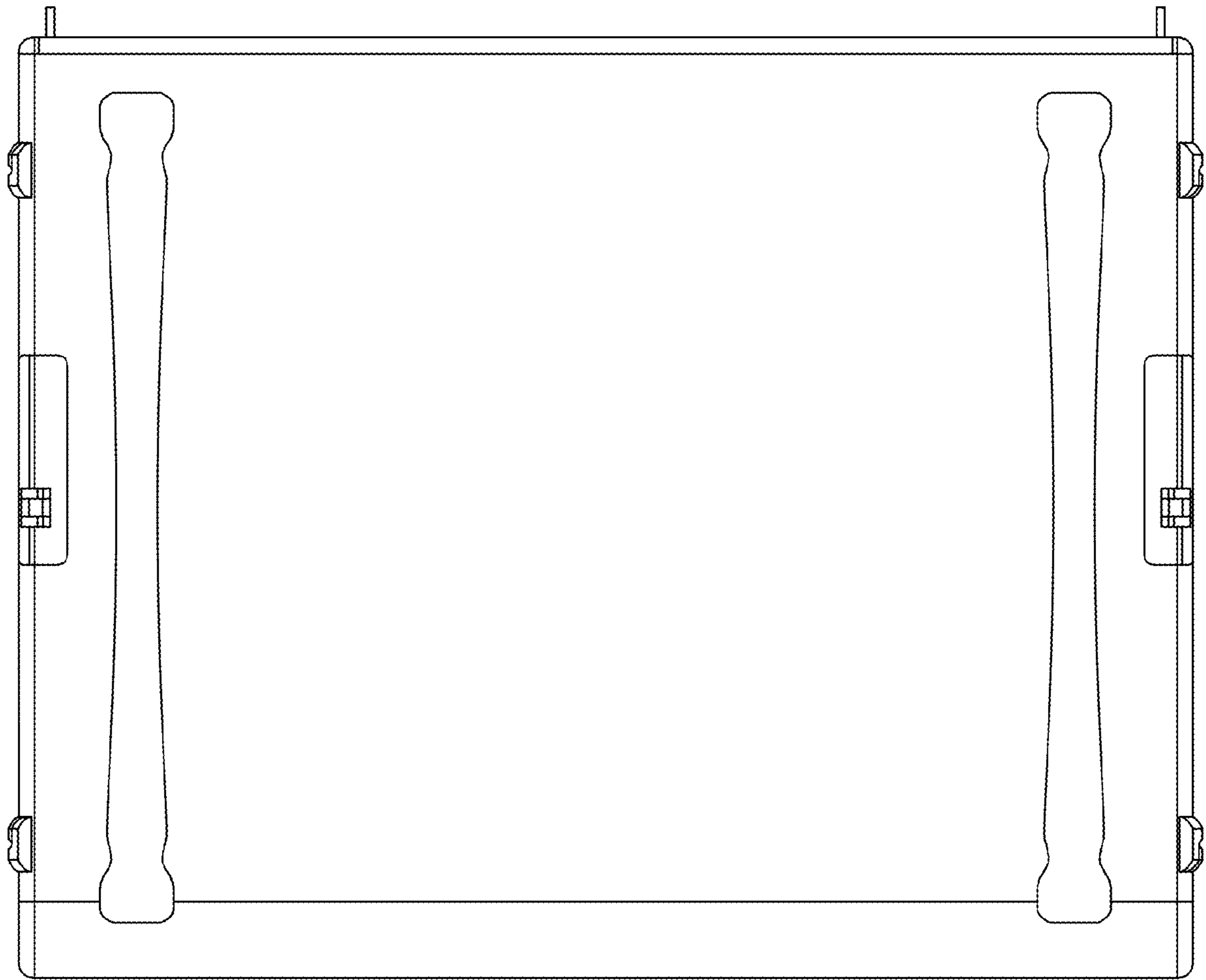
1.1



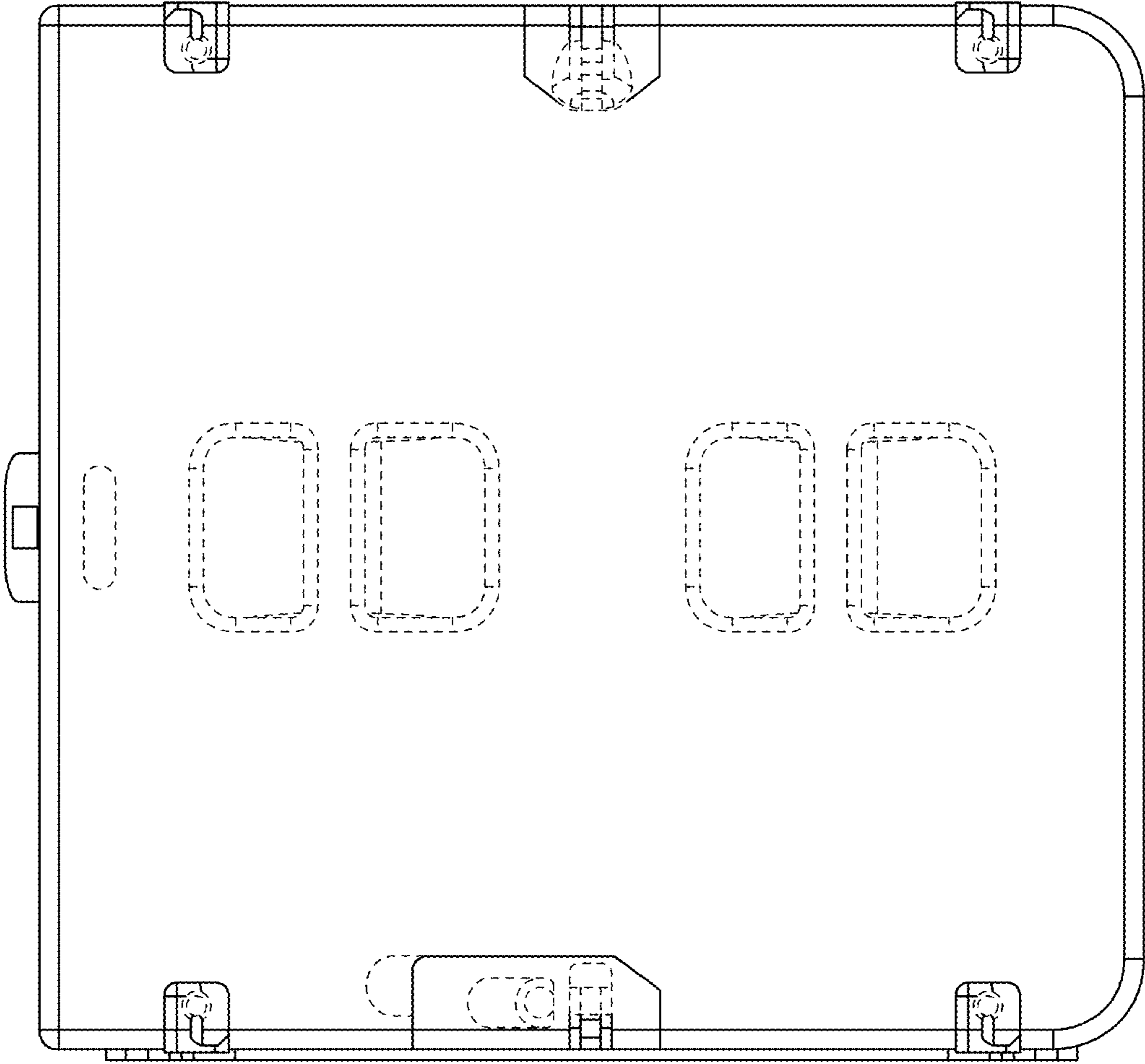
1.2



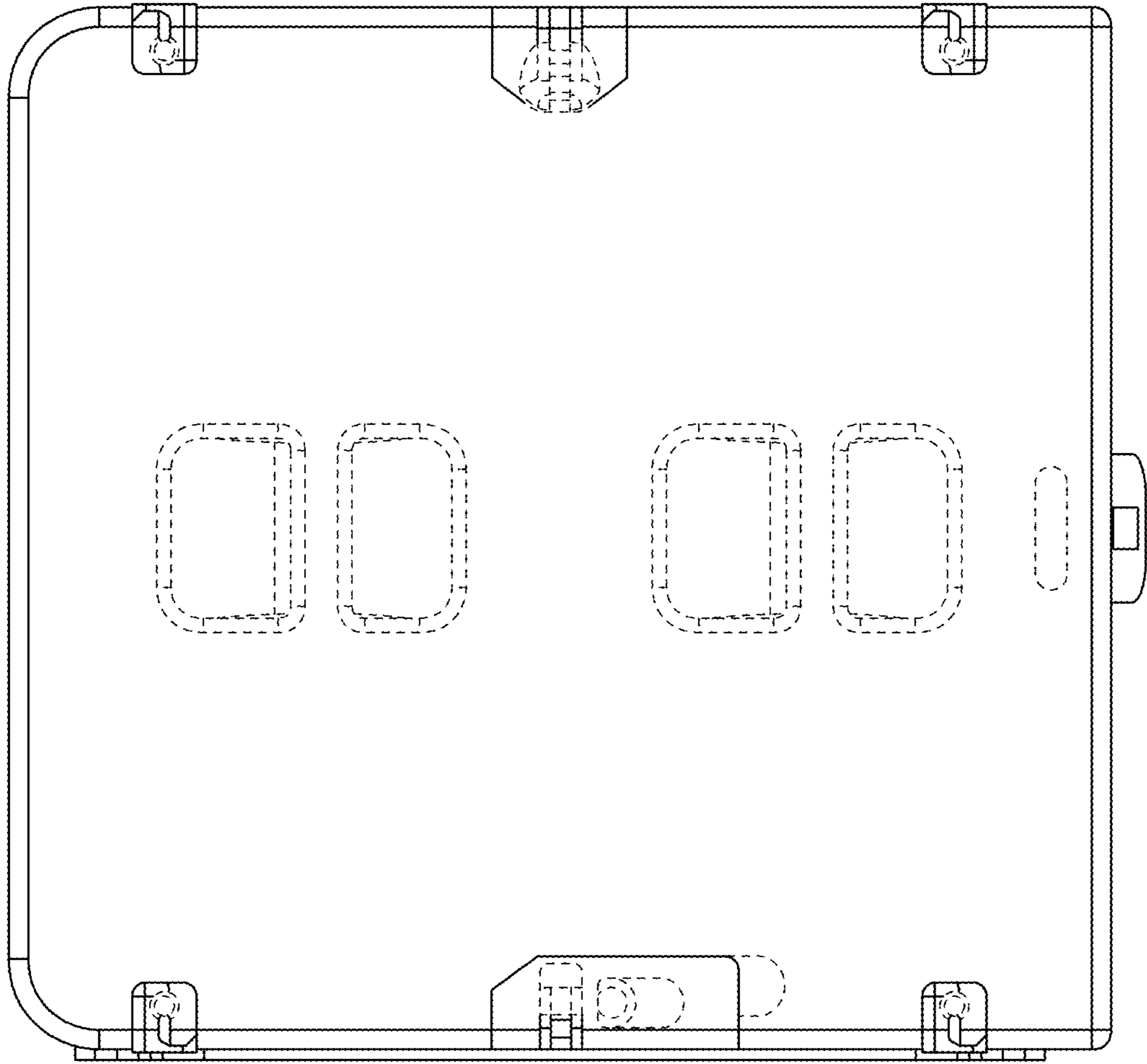
1.3



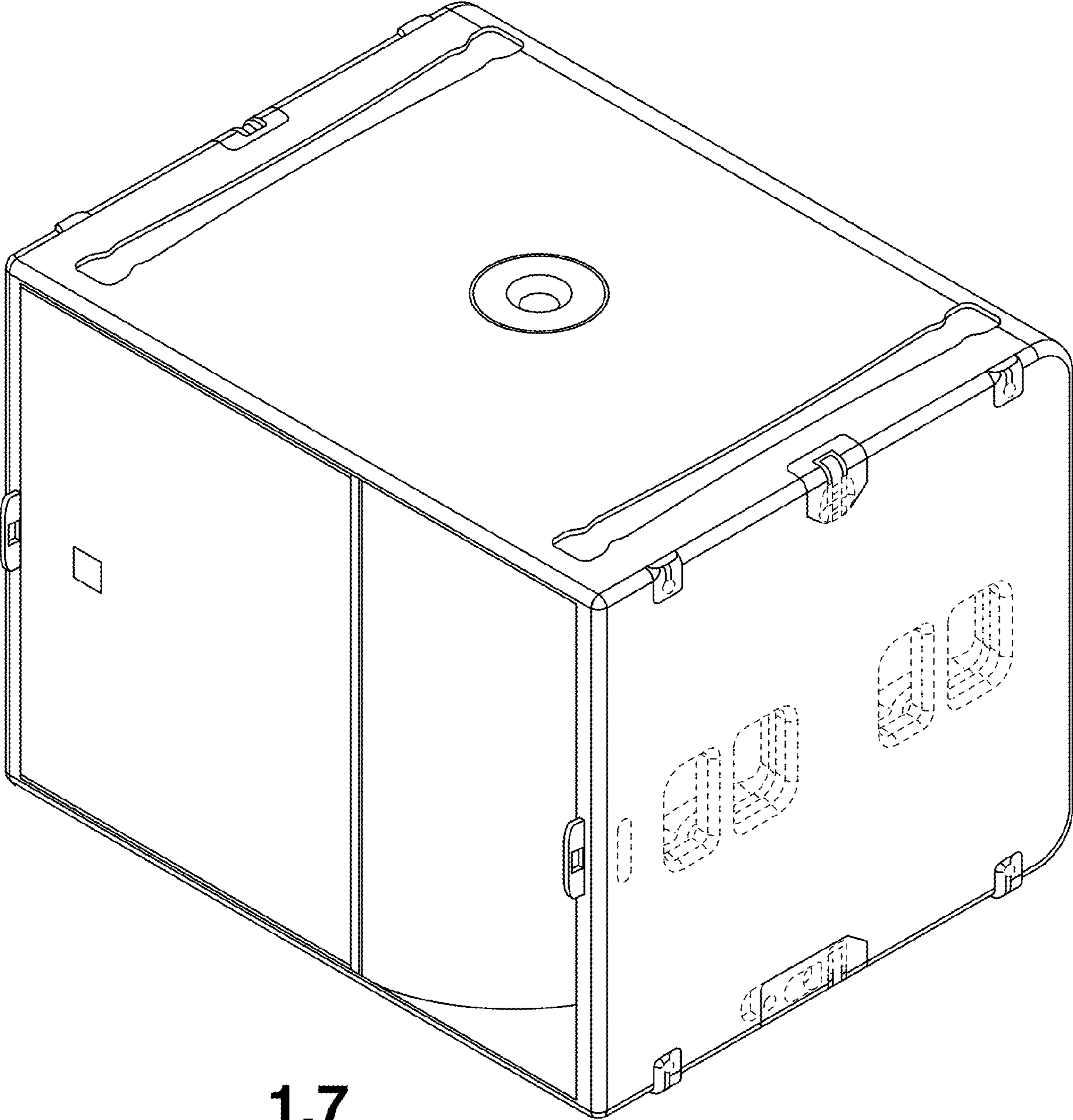
1.4



1.5



1.6



1.7