



US00D927455S

(12) **United States Design Patent**
Yang et al.

(10) **Patent No.: US D927,455 S**

(45) **Date of Patent: ** *Aug. 10, 2021**

(54) **COMMUNICATIONS HEADSET**
(71) Applicant: **Plantronics, Inc.**, Santa Cruz, CA (US)
(72) Inventors: **Joseph W Yang**, San Jose, CA (US);
Gary T Brint, Scotts Valley, CA (US);
John A Kelley, Santa Cruz, CA (US);
Nicholas W Paterson, Santa Cruz, CA (US)

(73) Assignee: **Plantronics, Inc.**, Santa Cruz, CA (US)

(*) Notice: This patent is subject to a terminal disclaimer.

(**) Term: **15 Years**

(21) Appl. No.: **29/705,717**

(22) Filed: **Sep. 13, 2019**

(51) **LOC (13) Cl.** **14-01**

(52) **U.S. Cl.**
USPC **D14/206**; D14/226

(58) **Field of Classification Search**
USPC D14/206, 205, 225, 226, 228, 188, 192;
381/380, 381, 370; 455/90.3, 575.1,
455/569.1

CPC H04R 1/1066; H04R 1/1016; H04R 5/033;
H04R 5/0335; H04R 1/10; H04R 25/00;
H04R 19/04; H04R 1/08; H04R 9/08

See application file for complete search history.

(56) **References Cited**

U.S. PATENT DOCUMENTS

1,648,832 A * 11/1927 Urban H04R 1/1008
181/129
2,910,679 A * 10/1959 Baldwin G08B 21/06
340/575
4,420,657 A * 12/1983 Larkin H04M 1/05
181/129
4,634,816 A * 1/1987 O'Malley H04M 1/05
379/430

4,875,233 A * 10/1989 Derhaag H04M 1/05
379/430
5,369,857 A * 12/1994 Sacherman H04R 5/0335
29/594
5,787,166 A * 7/1998 Ullman H04M 1/05
379/430
D406,140 S * 2/1999 Hall D14/205
(Continued)

FOREIGN PATENT DOCUMENTS

EM 006307104-0001 * 3/2019
EM 006307104-0002 * 3/2019

(Continued)

OTHER PUBLICATIONS

Taiwan IPO Search Report issued in Taiwan Design Patent Application No. 109301211, dated Aug. 24, 2020 and English translation thereof (2 pages).

Primary Examiner — Paula Allen Greene

(74) *Attorney, Agent, or Firm* — Ferguson Braswell
Fraser Kubasta PC

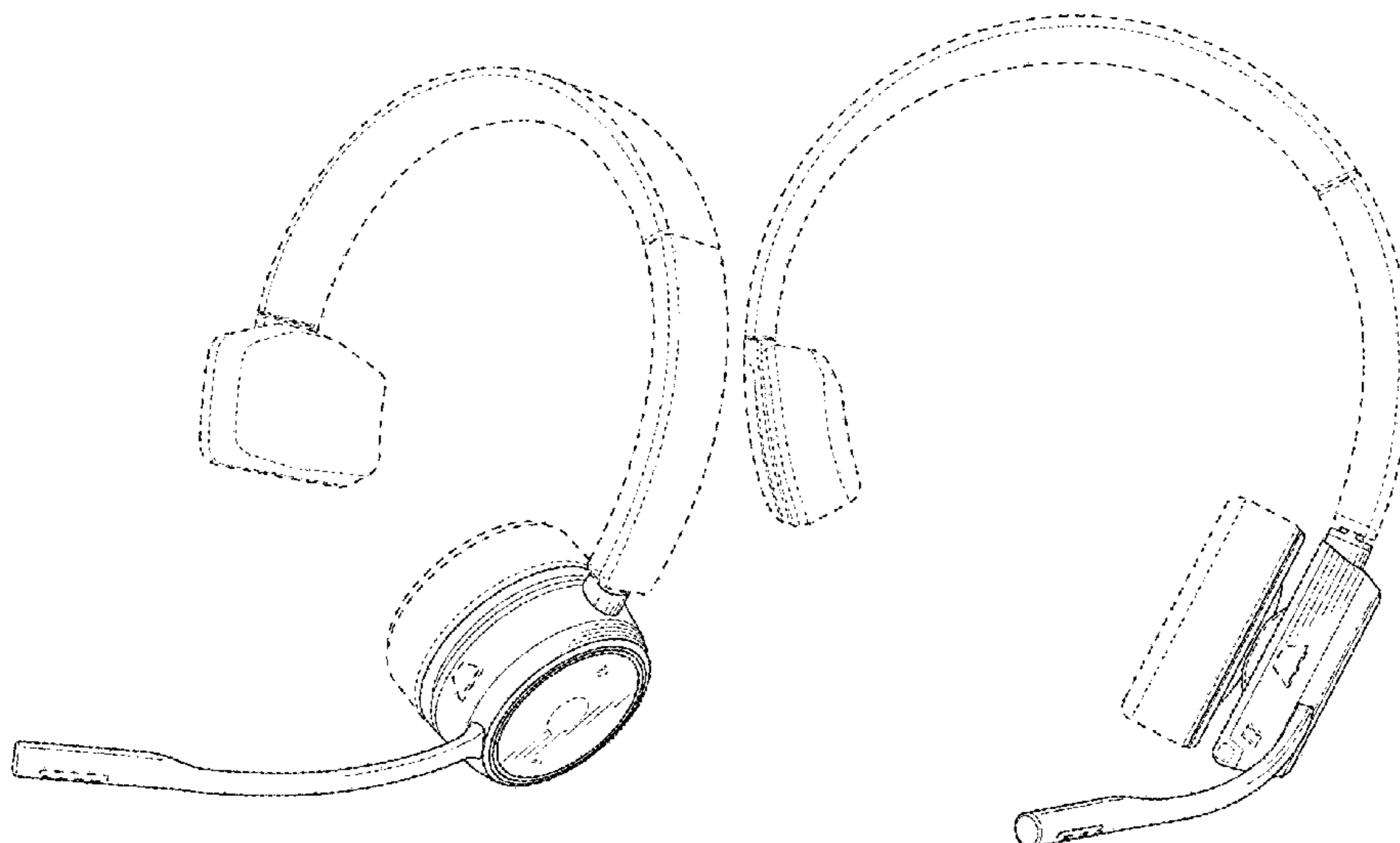
(57) **CLAIM**

The ornamental design for a communications headset, as shown and described.

DESCRIPTION

FIG. 1 is a back-right perspective view of a communications headset showing my new design;
FIG. 2 is a front-left perspective view thereof;
FIG. 3 is a right-side view thereof;
FIG. 4 is a left-side view thereof;
FIG. 5 is a back view thereof;
FIG. 6 is a front view thereof;
FIG. 7 is a top view thereof; and,
FIG. 8 is a bottom view thereof.
The broken lines are for the purpose of illustrating portions of the article and form no part of the claimed design.

1 Claim, 8 Drawing Sheets



(56)

References Cited

U.S. PATENT DOCUMENTS

D410,466 S * 6/1999 Mouri D14/205
 D449,034 S * 10/2001 Weikel D14/205
 D449,039 S * 10/2001 Weikel D14/227
 D451,907 S * 12/2001 Amae D14/206
 D463,784 S * 10/2002 Taylor D14/206
 6,560,346 B2 * 5/2003 Ohta H04R 1/083
 381/370
 D484,485 S * 12/2003 Matsuoka D14/205
 D498,227 S * 11/2004 Dyer D14/205
 6,819,762 B2 * 11/2004 Jones H04M 1/05
 379/430
 D504,419 S * 4/2005 Bey D14/223
 D505,413 S * 5/2005 Skulley D14/223
 D506,258 S * 6/2005 Nielsen D24/174
 D510,082 S * 9/2005 Olson D14/206
 D510,335 S * 10/2005 Suzuki D14/205
 6,980,666 B1 * 12/2005 Owen H04R 5/033
 381/371
 D517,528 S * 3/2006 Skulley D14/206
 D520,496 S * 5/2006 Gwee D14/205
 D521,492 S * 5/2006 Ham D14/205
 7,106,877 B1 * 9/2006 Linville H04R 1/105
 381/370
 D531,165 S * 10/2006 Rath D14/206
 D537,815 S * 3/2007 Bentley D14/206
 D539,267 S * 3/2007 Komiyama D14/205
 D540,313 S * 4/2007 Rausch D14/225
 D540,778 S * 4/2007 Thompson D14/206
 D541,787 S * 5/2007 Ma D14/205
 D549,688 S * 8/2007 Suzuki D14/205
 D567,220 S * 4/2008 Wang D14/206
 D588,098 S * 3/2009 Kurihara D14/205
 D589,492 S * 3/2009 Mistry D14/205
 D593,993 S * 6/2009 Kim D14/203.7
 D597,072 S * 7/2009 Asai D14/206
 D602,001 S * 10/2009 Bentley D14/206
 D602,906 S * 10/2009 Groves D14/205
 D603,372 S * 11/2009 Bentley D14/206
 D616,418 S * 5/2010 Morisawa D14/205
 D617,771 S * 6/2010 Groves D14/206
 D635,548 S * 4/2011 Kelley D14/206
 D635,959 S * 4/2011 Hutchieson D14/205
 D638,000 S * 5/2011 Hoggarth D14/206
 D642,554 S * 8/2011 Schaal D14/205
 D643,405 S * 8/2011 Rath D14/206
 D647,877 S * 11/2011 Son D14/206
 D652,017 S * 1/2012 Groves D14/206
 D654,471 S * 2/2012 Fischer D14/206
 D654,472 S * 2/2012 Fischer D14/206
 D662,080 S * 6/2012 Carr D14/205
 D670,267 S * 11/2012 Maddern D14/206
 D671,914 S * 12/2012 Lee D14/205
 D671,915 S * 12/2012 Birger D14/206
 D674,767 S * 1/2013 Brunner D14/205
 D677,647 S * 3/2013 Lee D14/205
 D681,014 S * 4/2013 Ham D14/223
 D691,112 S * 10/2013 Brunner D14/206
 D691,579 S * 10/2013 Lee D14/205
 D692,410 S * 10/2013 Brunner H04R 1/1008
 D14/206

D695,263 S * 12/2013 Mogili D14/205
 8,605,934 B2 * 12/2013 Hagberg H04R 1/1066
 381/375
 D713,817 S * 9/2014 Paterson D14/205
 D716,258 S * 10/2014 Awiszus D14/206
 D716,259 S * 10/2014 Awiszus D14/206
 D716,760 S * 11/2014 Brunner D14/206
 D717,767 S * 11/2014 Mistry D14/206
 D725,628 S * 3/2015 Tompkin D14/205
 D725,630 S * 3/2015 Nakagawa D14/205
 D730,868 S * 6/2015 Birger D14/206
 D732,503 S * 6/2015 Brunner H04R 1/1008
 D14/205
 D734,296 S * 7/2015 Paterson D14/205
 D741,842 S * 10/2015 Levine D14/226
 D750,043 S * 2/2016 Birger D14/206
 D794,601 S * 8/2017 Riggs D14/205
 D794,602 S * 8/2017 Riggs D14/205
 D794,603 S * 8/2017 Riggs D14/205
 D806,676 S * 1/2018 Fuglsang D14/206
 D809,478 S * 2/2018 Arimoto D14/205
 D820,812 S * 6/2018 Bidwell D14/206
 D822,638 S * 7/2018 Liu D14/206
 D830,339 S * 10/2018 Yan D14/206
 D836,085 S * 12/2018 Sun D14/206
 D843,967 S * 3/2019 Paterson D14/205
 D847,778 S * 5/2019 Hardi D14/205
 D848,395 S * 5/2019 Kelley D14/205
 D851,628 S * 6/2019 Wernblad D14/206
 D855,036 S * 7/2019 Yan D14/206
 D856,303 S * 8/2019 Ando D14/205
 D864,155 S * 10/2019 Liu D14/206
 D864,156 S * 10/2019 Liu D14/206
 D866,509 S * 11/2019 Lindof D14/206
 D866,510 S * 11/2019 Lindof D14/206
 D866,513 S * 11/2019 Lindof D14/206
 D866,514 S * 11/2019 Lindof D14/206
 D867,330 S * 11/2019 Lindof D14/206
 D867,331 S * 11/2019 Lindof D14/206
 D869,430 S * 12/2019 Rama D14/205
 D870,069 S * 12/2019 Hu D14/206
 D874,736 S * 2/2020 Bui D29/112
 D875,073 S * 2/2020 Pedersen D14/206
 D885,364 S * 5/2020 Paterson D14/206
 D895,570 S * 9/2020 Choi D14/205
 D898,711 S * 10/2020 Pedersen D14/225
 2005/0286717 A1 * 12/2005 Viduya H04M 1/18
 379/430
 2012/0328119 A1 * 12/2012 Heise H04R 1/1066
 381/74
 2017/0041695 A1 * 2/2017 Hernandez Vazquez
 H04R 1/1075

FOREIGN PATENT DOCUMENTS

JP D1568163 S 1/2017
 JP D1603450 S 5/2018
 JP D1621749 S 1/2019
 TW D168778 S 7/2015
 TW D173671 S 2/2016
 TW D191632 S 7/2018

* cited by examiner

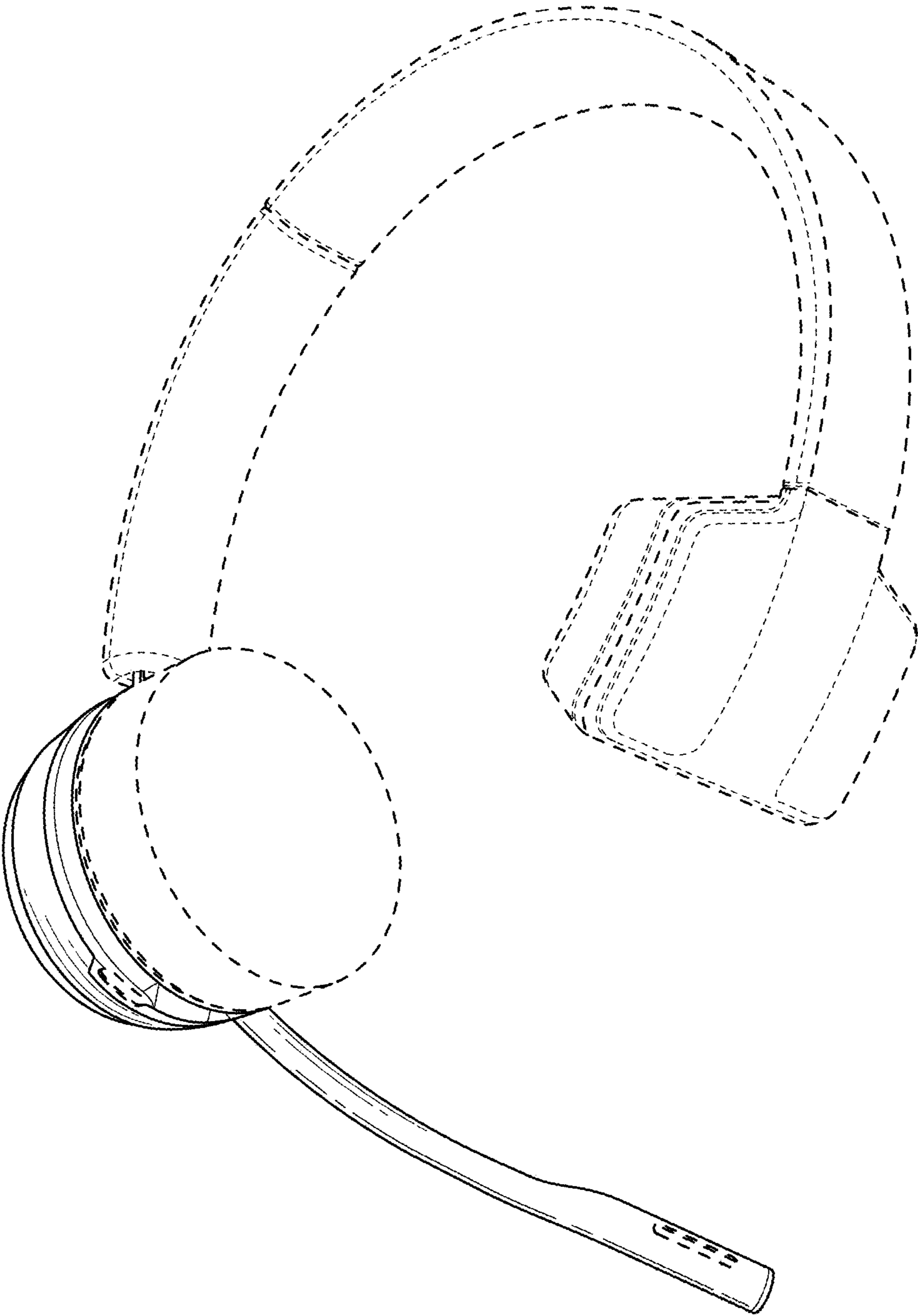


FIG. 1

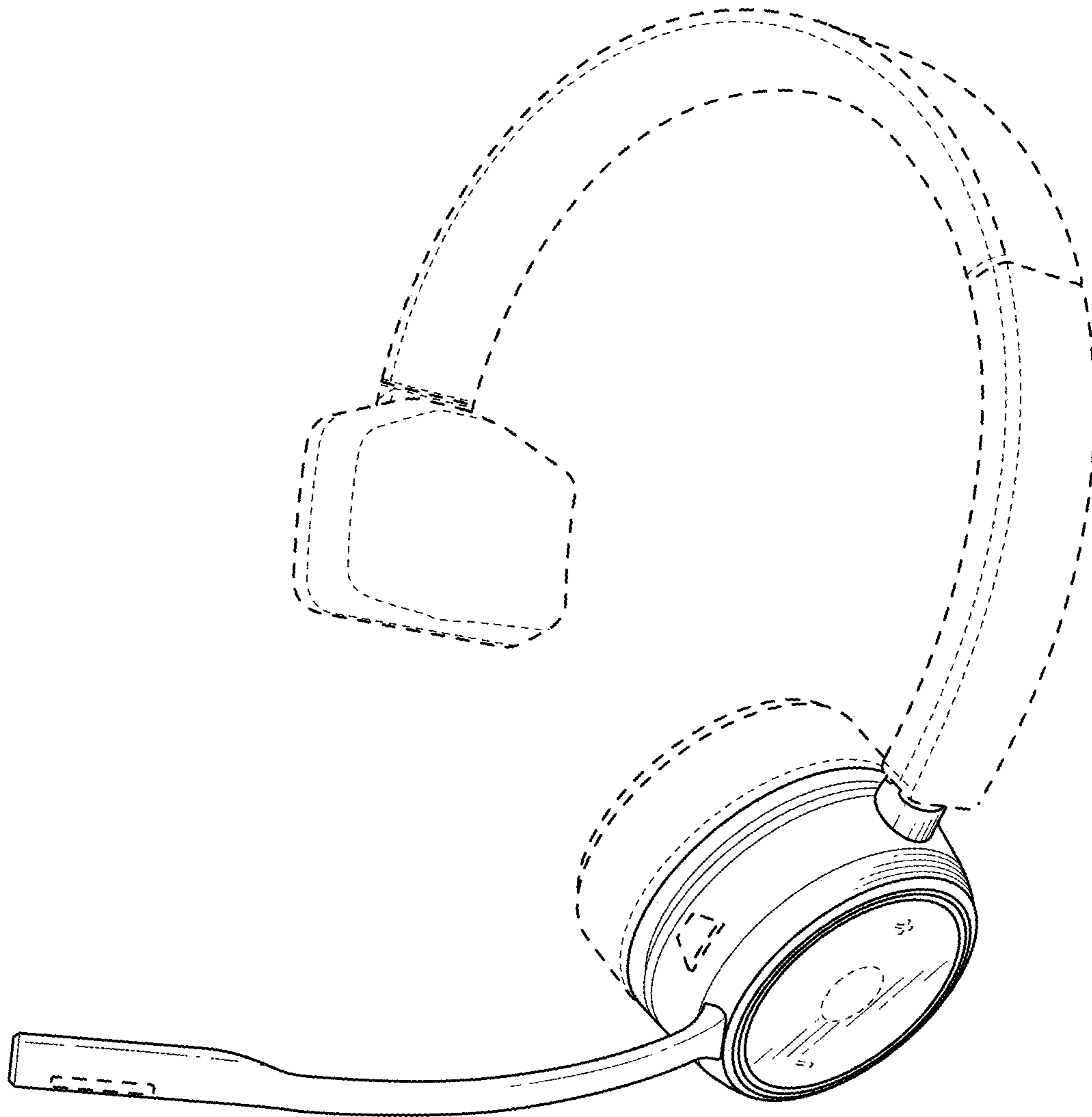


FIG. 2

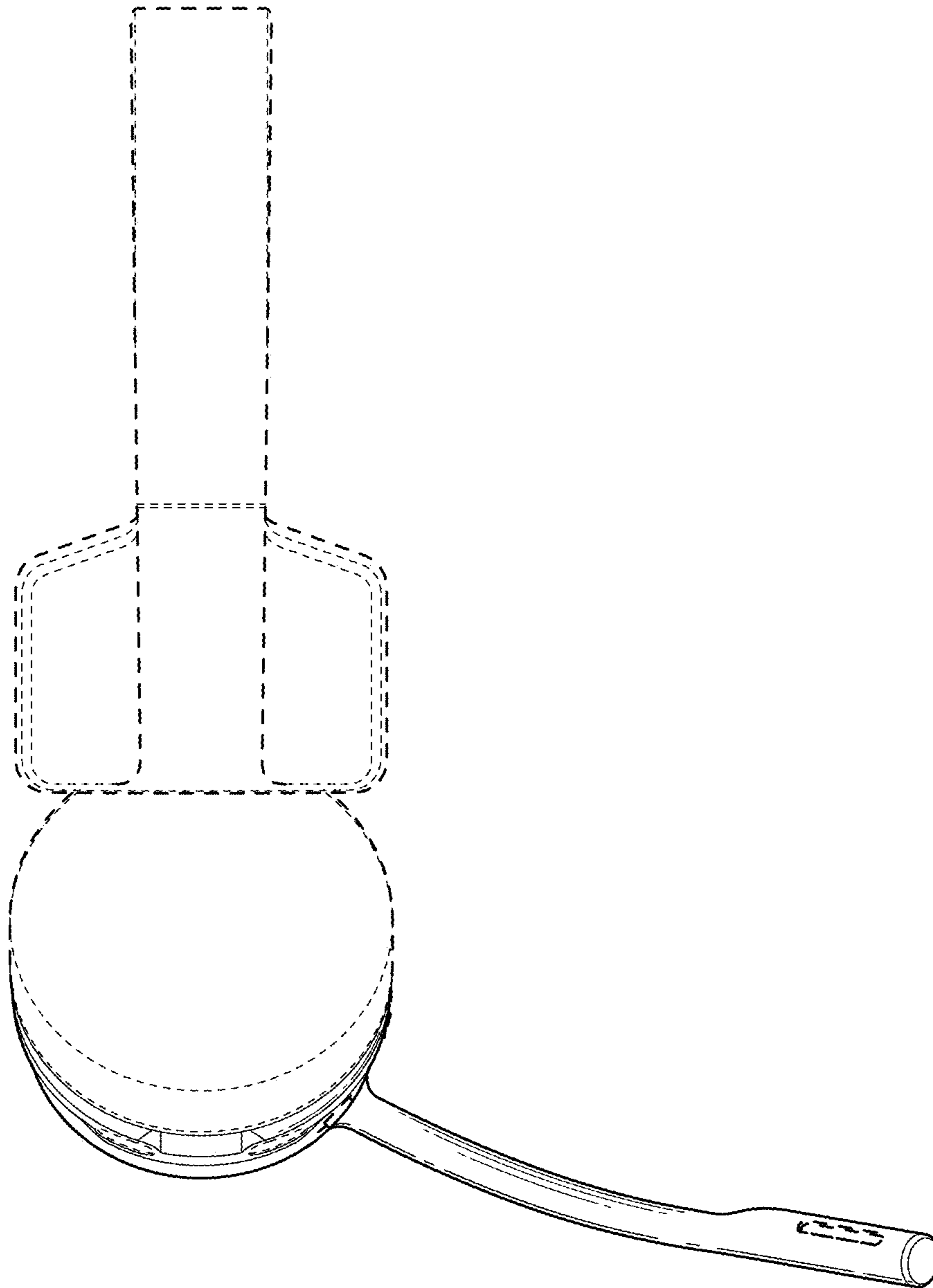


FIG. 3

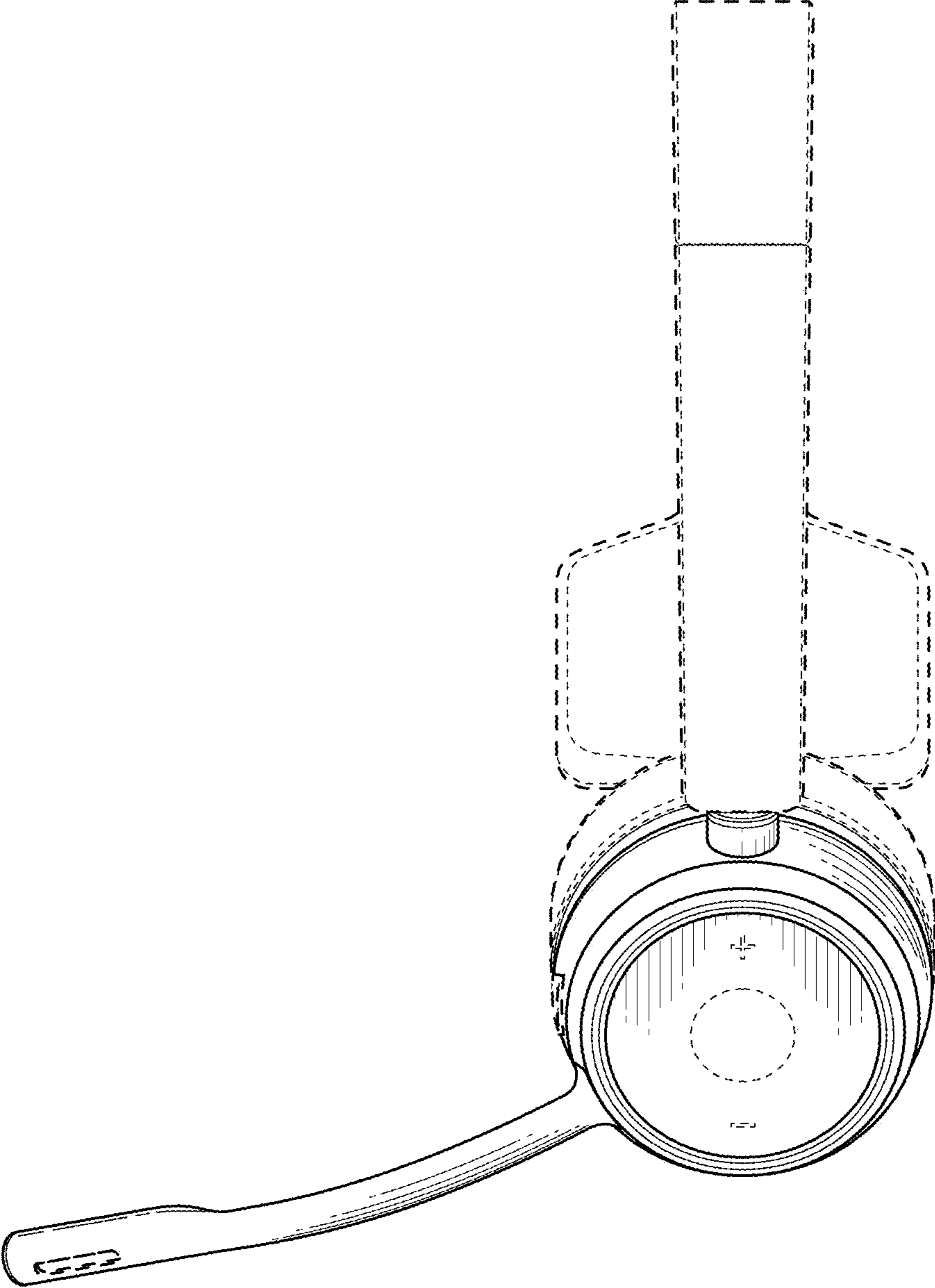


FIG. 4

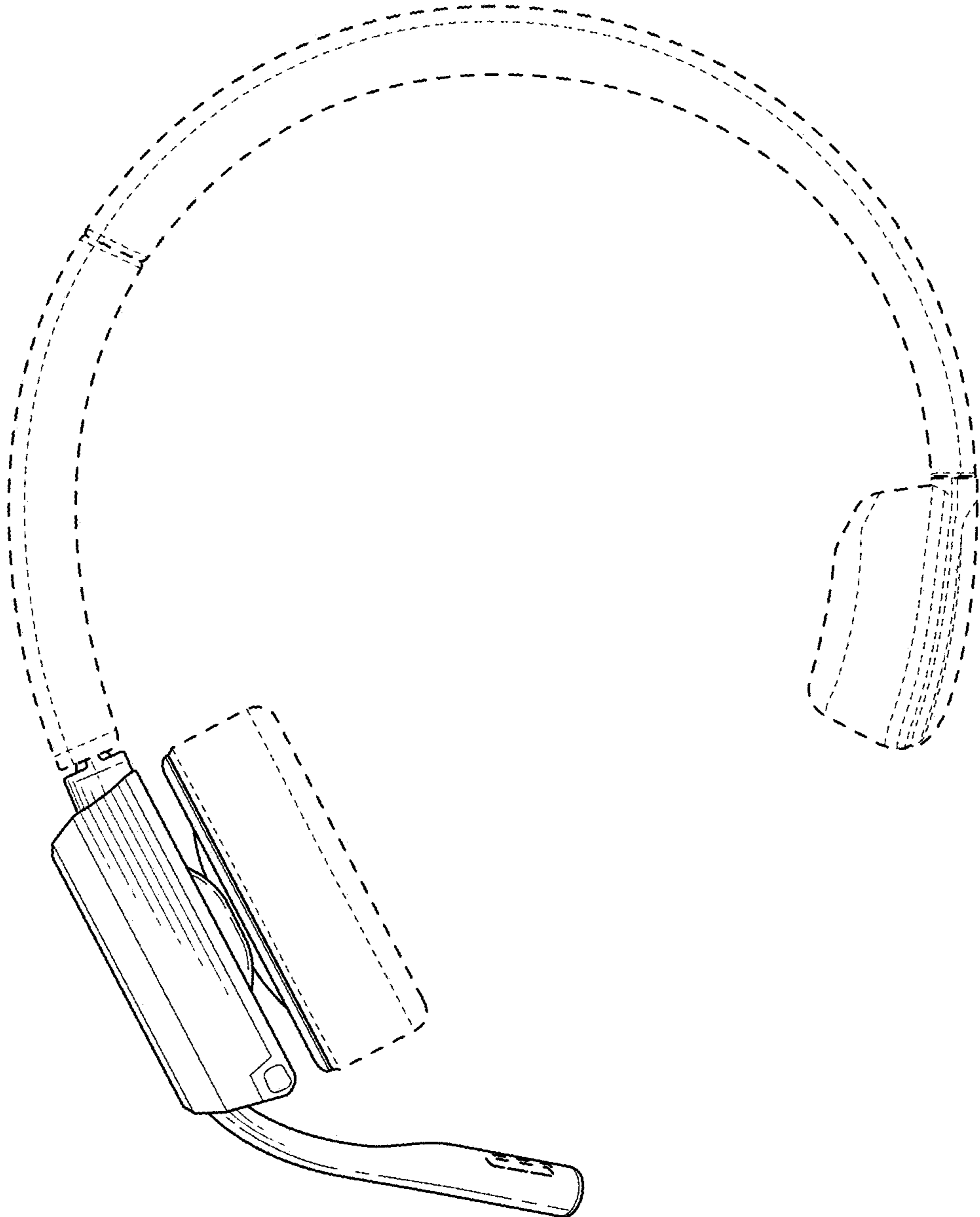


FIG. 5

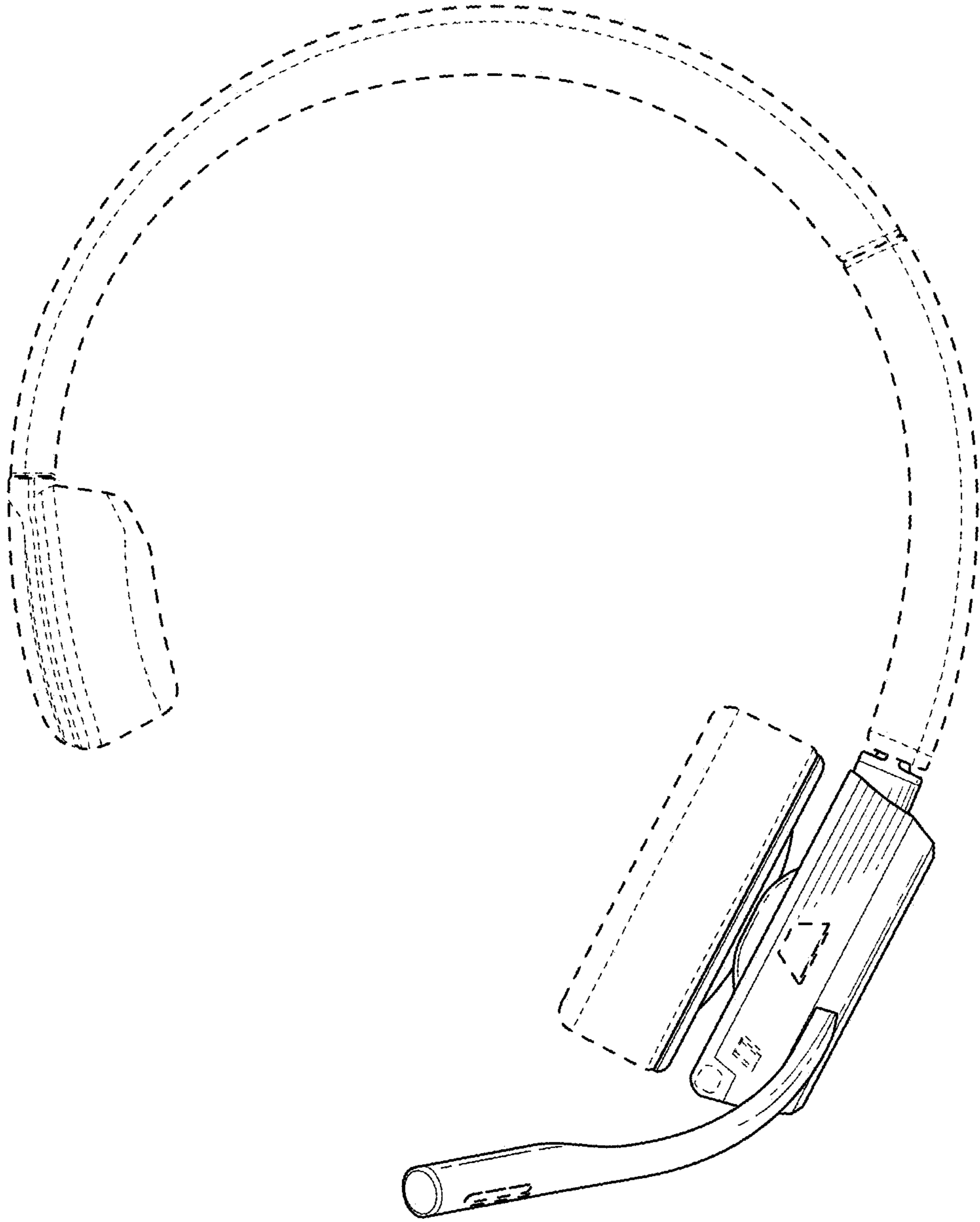


FIG. 6

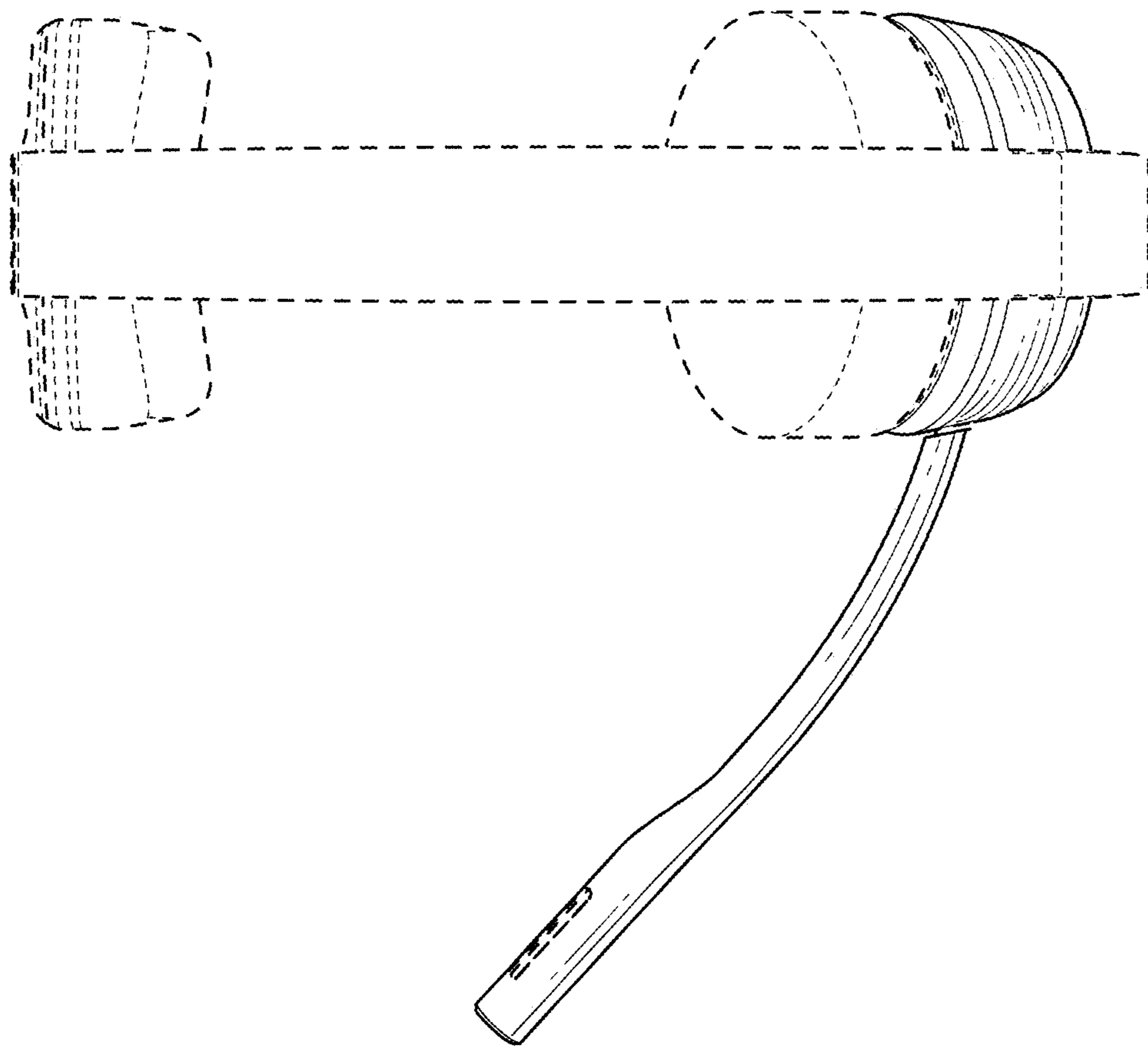


FIG. 7

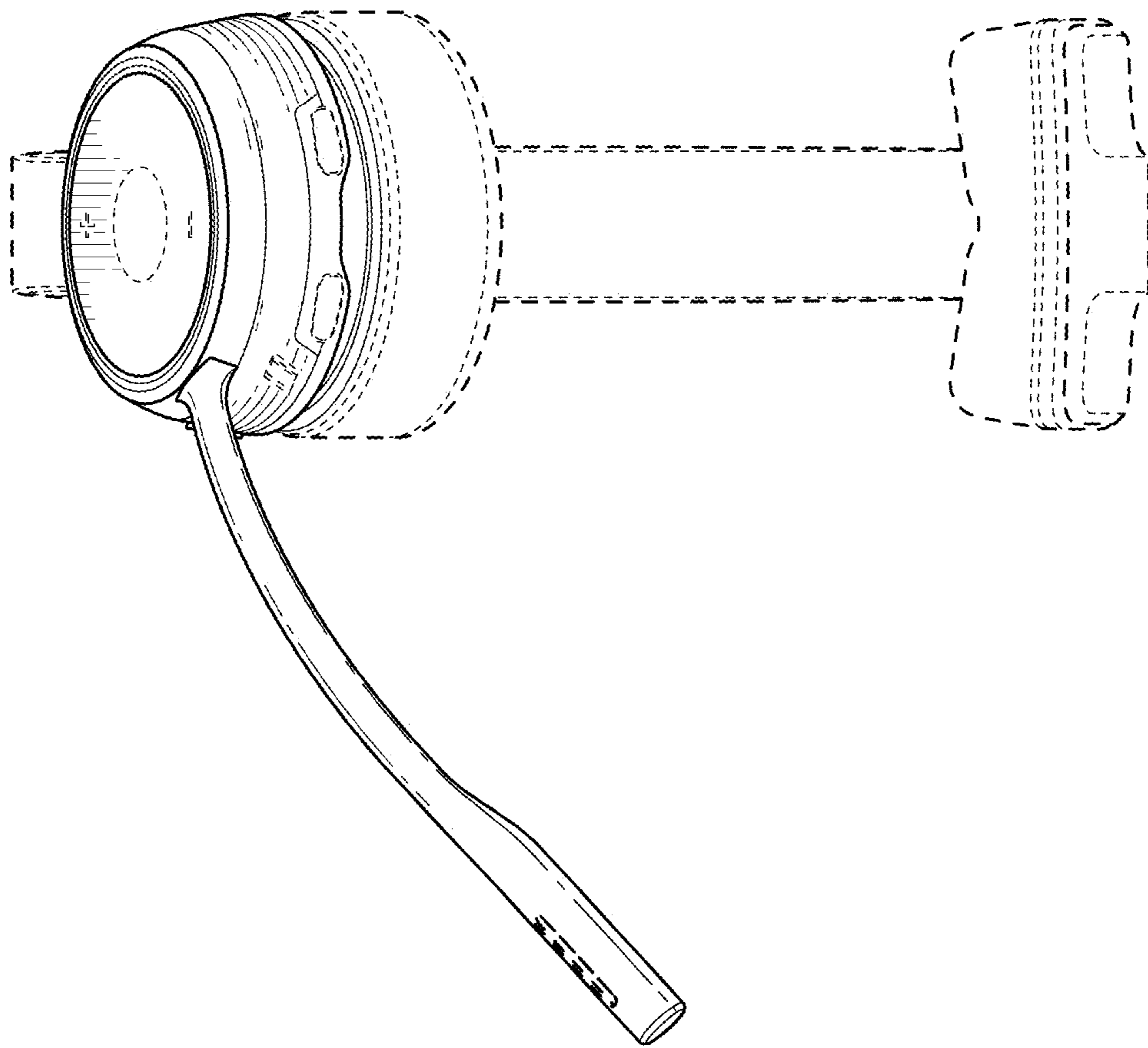


FIG. 8