



US00D927452S

(12) **United States Design Patent** (10) **Patent No.:** **US D927,452 S**
Paterson et al. (45) **Date of Patent:** **** Aug. 10, 2021**

(54) **COMMUNICATIONS HEADSET OR HEADPHONE**

(71) Applicant: **Plantronics, Inc.**, Santa Cruz, CA (US)

(72) Inventors: **Nicholas W. Paterson**, Aptos, CA (US);
John A. Kelley, Santa Cruz, CA (US)

(73) Assignee: **Plantronics, Inc.**, Santa Cruz, CA (US)

(**) Term: **15 Years**

(21) Appl. No.: **29/735,701**

(22) Filed: **May 22, 2020**

Related U.S. Application Data

(62) Division of application No. 29/663,896, filed on Sep. 19, 2018, now Pat. No. Des. 885,364.

(51) **LOC (13) Cl.** **14-01**

(52) **U.S. Cl.**
USPC **D14/205**

(58) **Field of Classification Search**

USPC D14/205, 206, 188, 192; D29/112;
2/209; 181/129, 130, 135; 381/380, 381;
455/90.3, 575.1, 569.1
CPC H04R 1/10; H04R 25/00; H04R 1/1066;
H04R 1/1016; H04R 5/033; H04R
5/0335; H04R 1/1091

See application file for complete search history.

(56) **References Cited**

U.S. PATENT DOCUMENTS

2,584,402 A * 2/1952 Volkman H04R 1/1083
181/129
2,621,751 A * 12/1952 Kettler H04R 1/1016
181/129
4,875,233 A 10/1989 Derhaag et al.

(Continued)

FOREIGN PATENT DOCUMENTS

JP 1567288 S 1/2017
JP 1567353 S 1/2017

(Continued)

OTHER PUBLICATIONS

Taiwan IPO Search Report issued in Taiwanese Design Patent Application No. 108301430, completed Sep. 7, 2019 and English translation thereof (2 pages).

(Continued)

Primary Examiner — Paula Allen Greene

(74) *Attorney, Agent, or Firm* — Ferguson Braswell
Fraser Kubasta PC

(57) **CLAIM**

The ornamental design for a communications headset or headphone, as shown and described.

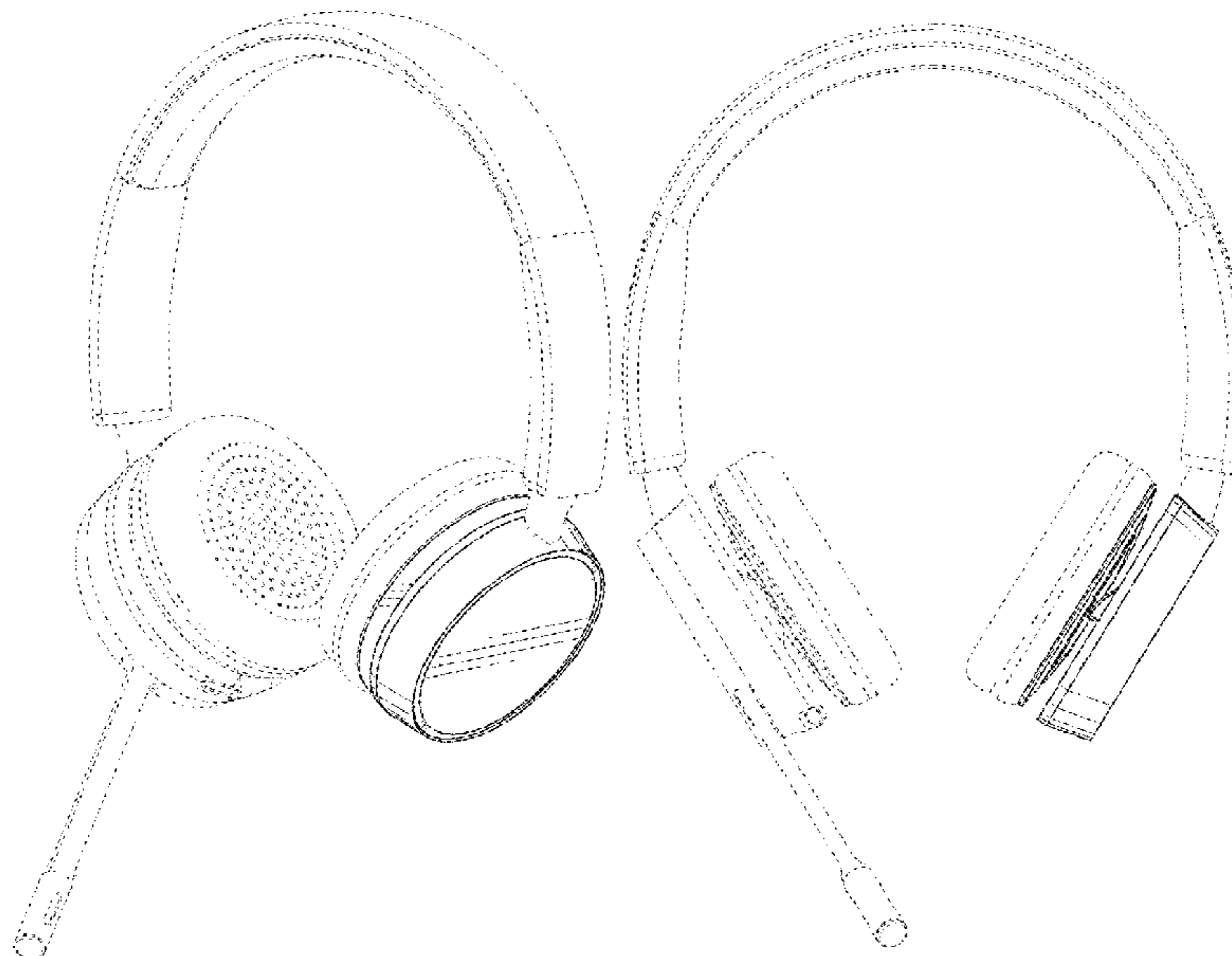
DESCRIPTION

FIG. 1 is a front-left perspective view of a communications headset or headphone showing my new design; FIG. 2 is a back-right perspective view thereof; FIG. 3 is a front view thereof; FIG. 4 is a back view thereof; FIG. 5 is a right side view thereof; FIG. 6 is a left side view thereof; FIG. 7 is a top view thereof; and, FIG. 8 is a bottom view thereof.

The broken lines showing the unclaimed features form no part of the claimed design.

The broken lines immediately adjacent the shaded areas represent the bounds of the claimed design while all other broken lines are directed to environment that is for purposes of illustration only; the broken lines form no part of the claimed design.

1 Claim, 8 Drawing Sheets



(56)

References Cited

U.S. PATENT DOCUMENTS

D381,987 S * 8/1997 Tsuge D14/205
 D406,140 S * 2/1999 Hall D14/205
 D410,466 S * 6/1999 Mouri D14/205
 D449,034 S * 10/2001 Weikel D14/205
 D449,039 S 10/2001 Weikel et al.
 D451,907 S 12/2001 Amae et al.
 D463,784 S 10/2002 Taylor et al.
 6,560,346 B2 5/2003 Ohta et al.
 D484,485 S * 12/2003 Matsuoka D14/205
 D498,227 S * 11/2004 Dyer D14/205
 D504,419 S 4/2005 Bey et al.
 D505,413 S 5/2005 Skulley et al.
 D506,258 S 6/2005 Nielsen
 D510,082 S 9/2005 Olson et al.
 D510,335 S * 10/2005 Suzuki D14/205
 6,980,666 B1 12/2005 Owen
 D517,528 S 3/2006 Skulley
 D520,496 S * 5/2006 Gwee D14/205
 D521,492 S * 5/2006 Ham D14/205
 D531,165 S 10/2006 Rath
 D537,815 S 3/2007 Bentley et al.
 D539,267 S * 3/2007 Komiyama D14/205
 D540,313 S 4/2007 Rausch et al.
 D540,778 S 4/2007 Thompson et al.
 D541,787 S * 5/2007 Ma D14/205
 D549,688 S * 8/2007 Suzuki D14/205
 D567,220 S 4/2008 Wang
 D588,098 S * 3/2009 Kurihara D14/205
 D589,492 S * 3/2009 Mistry D14/205
 D593,993 S 6/2009 Kim et al.
 D597,072 S 7/2009 Asai
 D602,001 S 10/2009 Bentley
 D602,906 S * 10/2009 Groves D14/205
 D603,372 S 11/2009 Bentley
 D616,418 S * 5/2010 Morisawa D14/205
 7,717,226 B2 * 5/2010 Purcell A61F 11/14
 181/129
 D617,771 S * 6/2010 Groves D14/206
 D635,959 S * 4/2011 Hutchieson D14/205
 D638,000 S 5/2011 Hoggarth
 D642,554 S * 8/2011 Schaal D14/205
 D643,405 S 8/2011 Rath
 D647,877 S 11/2011 Son
 8,061,473 B1 11/2011 Kerr
 D652,017 S 1/2012 Groves et al.
 D654,471 S 2/2012 Fischer
 D654,472 S 2/2012 Fischer
 D662,080 S * 6/2012 Carr D14/205
 D670,267 S 11/2012 Maddern
 D671,914 S * 12/2012 Lee D14/205
 D671,915 S 12/2012 Birger
 D674,767 S * 1/2013 Brunner D14/205
 D677,647 S * 3/2013 Lee D14/205
 D681,014 S 4/2013 Ham et al.
 D691,579 S * 10/2013 Lee D14/205

D692,410 S 10/2013 Brunner et al.
 D695,263 S * 12/2013 Mogili D14/205
 D713,817 S * 9/2014 Paterson D14/205
 D716,258 S 10/2014 Awiszus et al.
 D716,259 S 10/2014 Awiszus et al.
 D716,760 S 11/2014 Brunner et al.
 D717,767 S 11/2014 Mistry et al.
 D725,628 S * 3/2015 Tompkin D14/205
 D725,630 S * 3/2015 Nakagawa D14/205
 D732,503 S * 6/2015 Brunner H04R 1/1008
 D14/205
 D734,296 S * 7/2015 Paterson D14/205
 D741,842 S 10/2015 Levine
 9,426,554 B2 8/2016 Dai et al.
 D794,601 S * 8/2017 Riggs D14/205
 D794,602 S * 8/2017 Riggs D14/205
 D806,676 S * 1/2018 Fuglsang D14/206
 D809,478 S * 2/2018 Arimoto D14/205
 D820,812 S 6/2018 Bidwell et al.
 D822,638 S 7/2018 Liu
 D830,339 S 10/2018 Yan
 D836,085 S 12/2018 Sun et al.
 D843,967 S * 3/2019 Paterson D14/205
 D847,778 S * 5/2019 Hardi D14/205
 D848,395 S * 5/2019 Kelley D14/205
 D851,628 S 6/2019 Wernblad et al.
 D855,036 S 7/2019 Yan
 D856,303 S * 8/2019 Ando D14/205
 D864,155 S 10/2019 Liu
 D864,156 S 10/2019 Liu
 D867,331 S * 11/2019 Lindof D14/206
 D870,069 S * 12/2019 Hu D14/206
 D885,364 S * 5/2020 Paterson D14/206
 D886,078 S * 6/2020 He D14/206
 2005/0286717 A1 12/2005 Viduya et al.
 2010/0177907 A1 * 7/2010 Morisawa H04R 5/0335
 381/74
 2012/0328119 A1 12/2012 Heise
 2013/0202126 A1 * 8/2013 Chen H04R 1/1041
 381/74
 2017/0208387 A1 * 7/2017 Bearden H04R 5/033

FOREIGN PATENT DOCUMENTS

JP 1603453 S 5/2018
 JP 1527479 S 6/2018
 KR 30-08522810000 S 5/2016
 KR 30-08993070000 S 3/2017
 KR 30-08993080000 S 3/2017
 TW 191632 S 7/2018

OTHER PUBLICATIONS

Taiwan IPO Search Report issued in Taiwanese Design Patent Application No. 108301431, completed Sep. 7, 2019 and English translation thereof (2 pages).

* cited by examiner

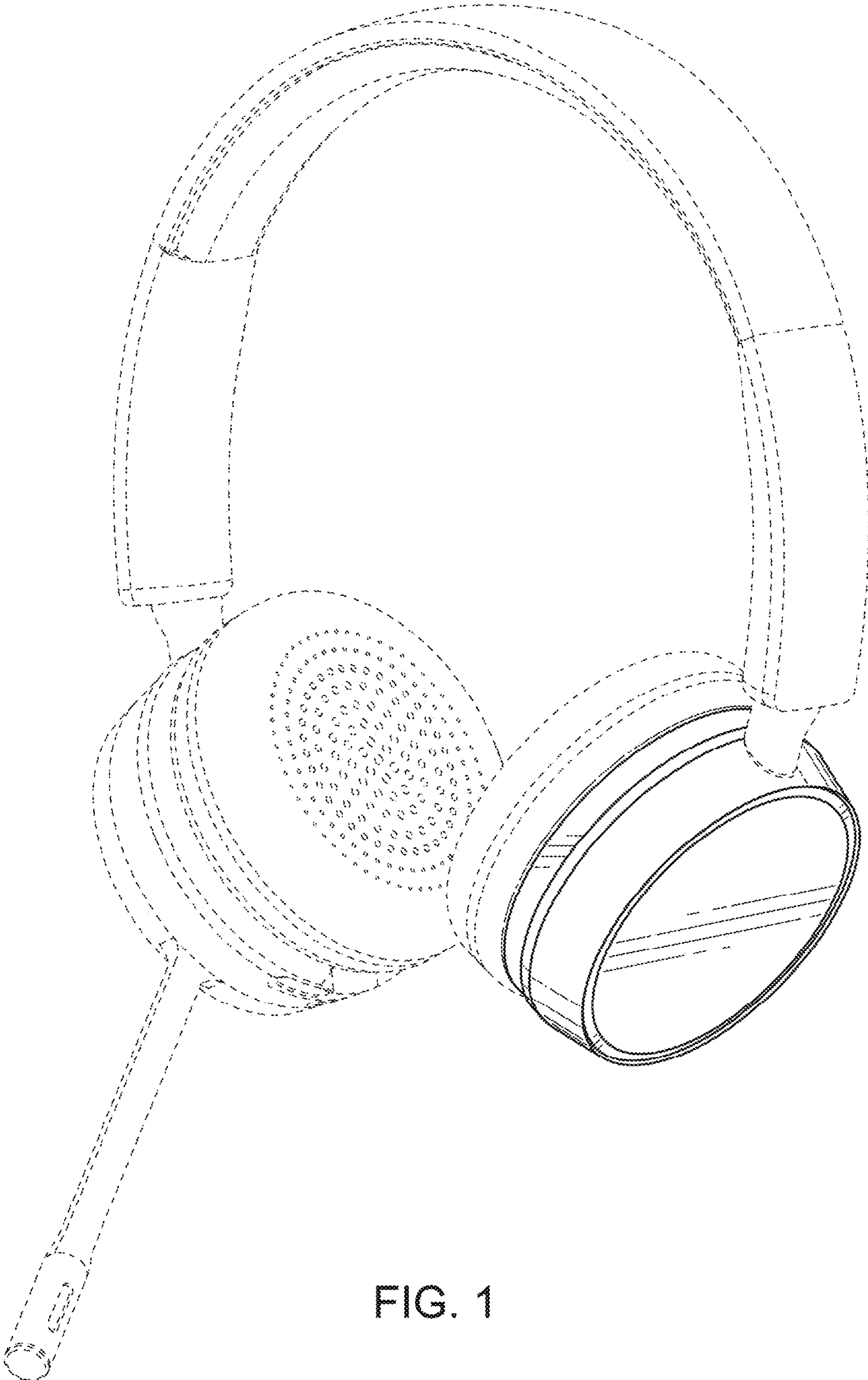


FIG. 1

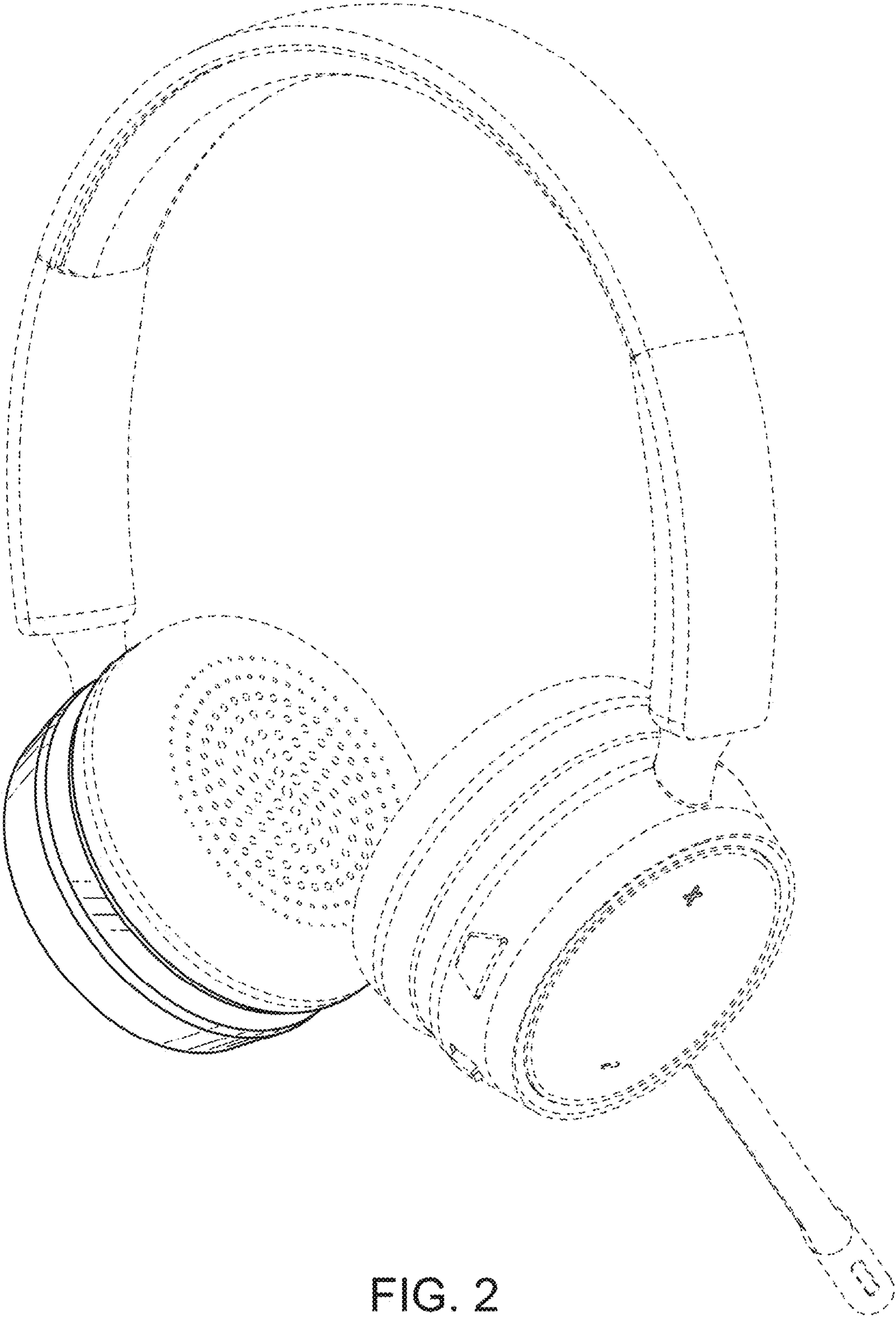


FIG. 2

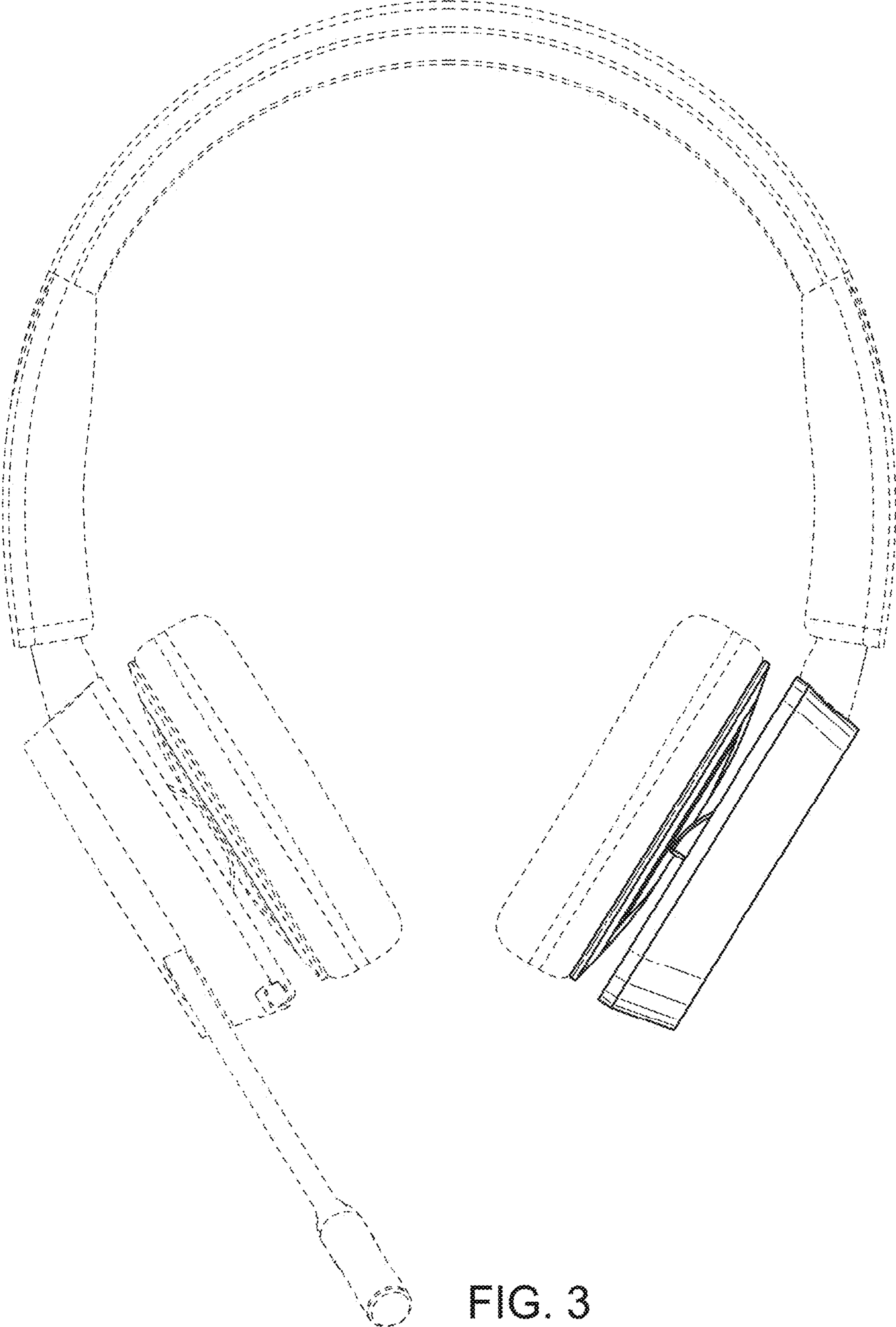


FIG. 3

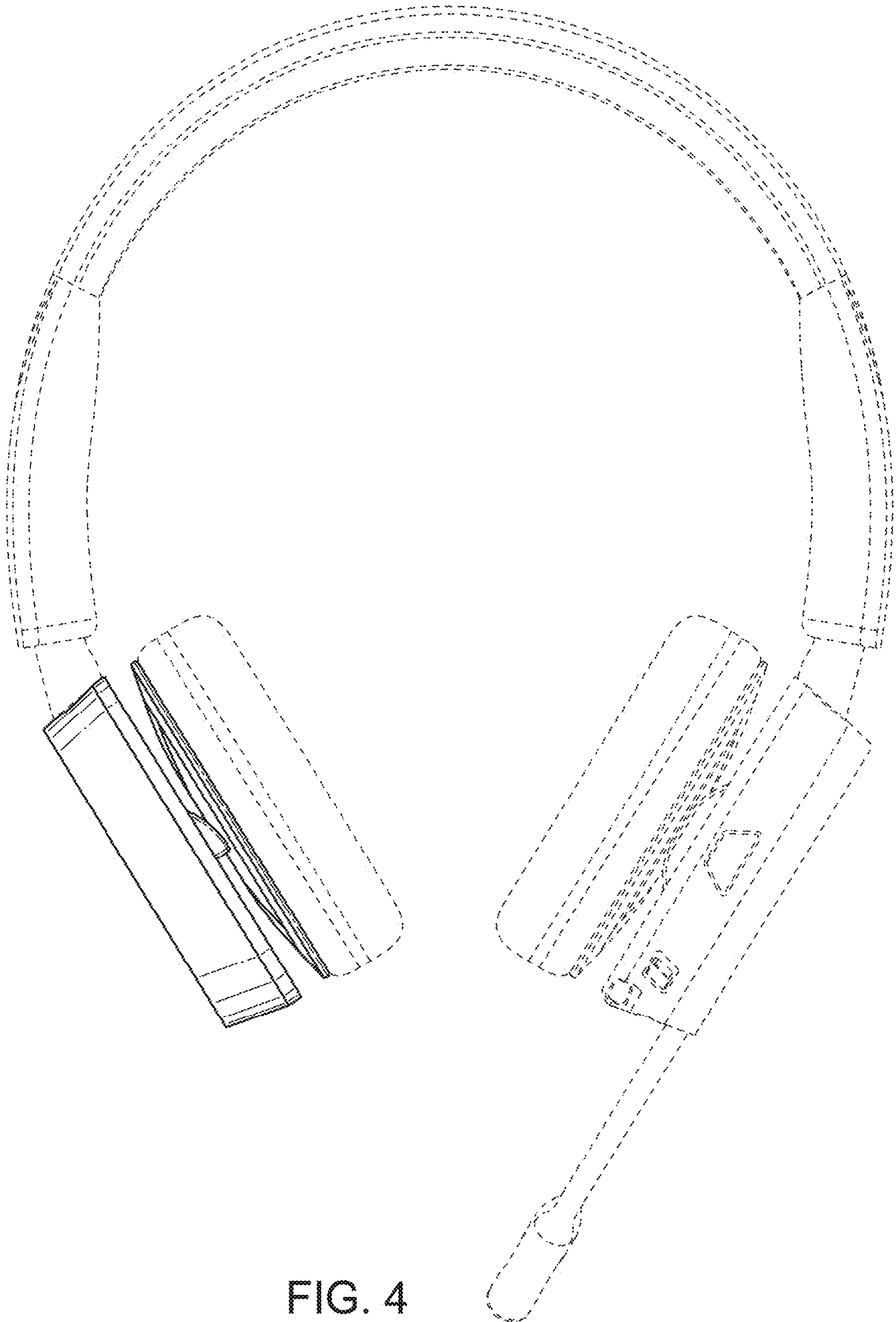


FIG. 4

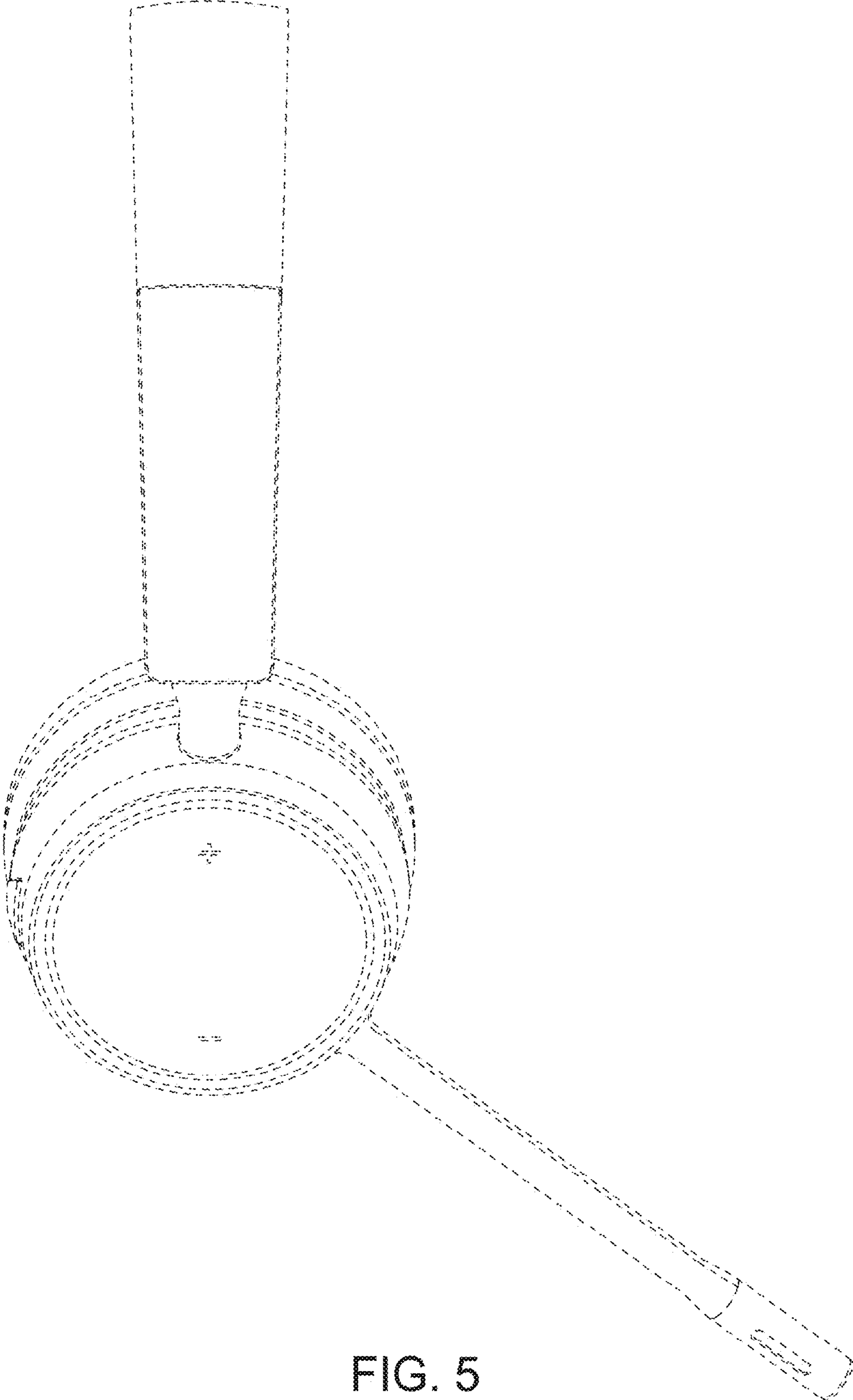


FIG. 5

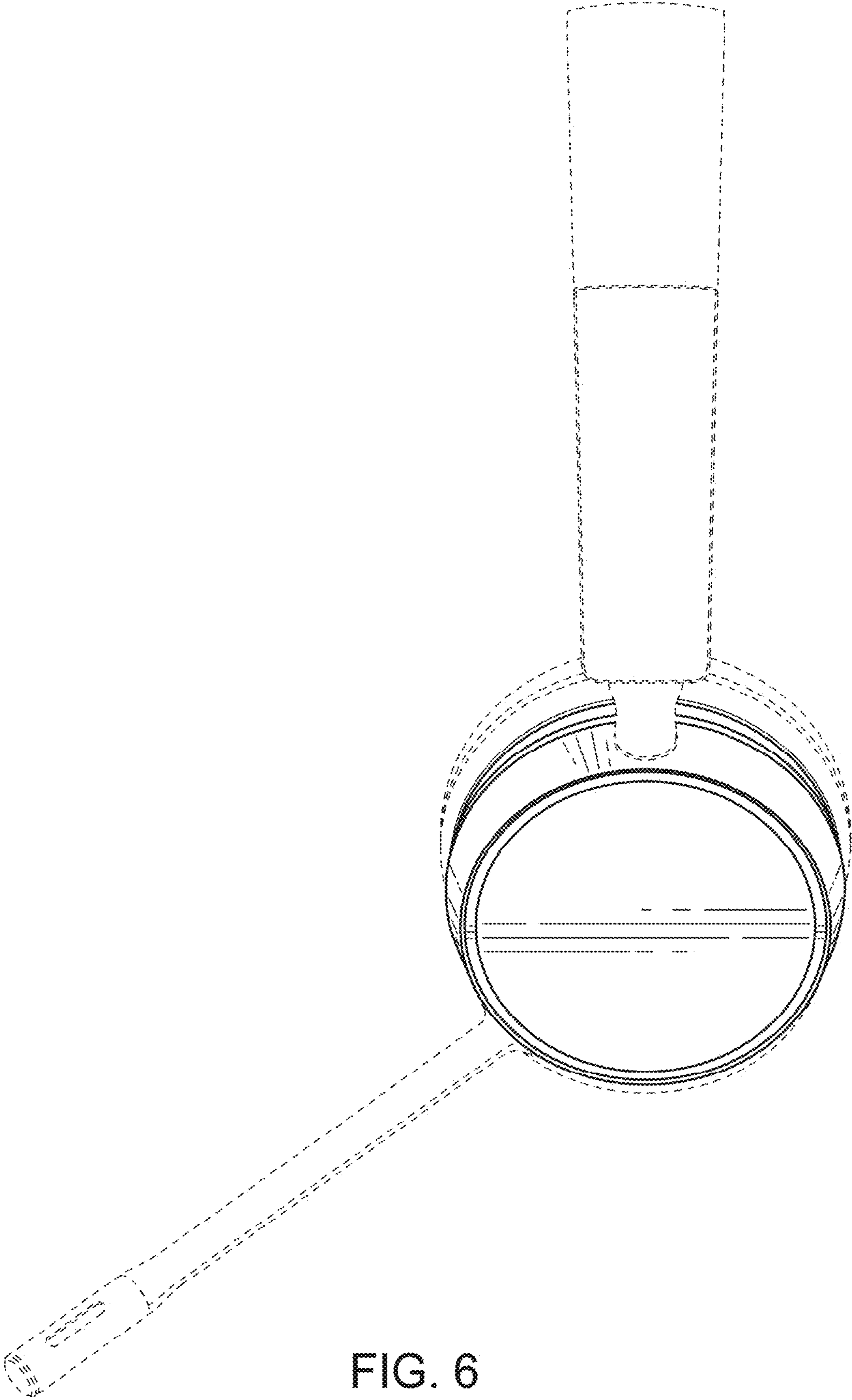


FIG. 6

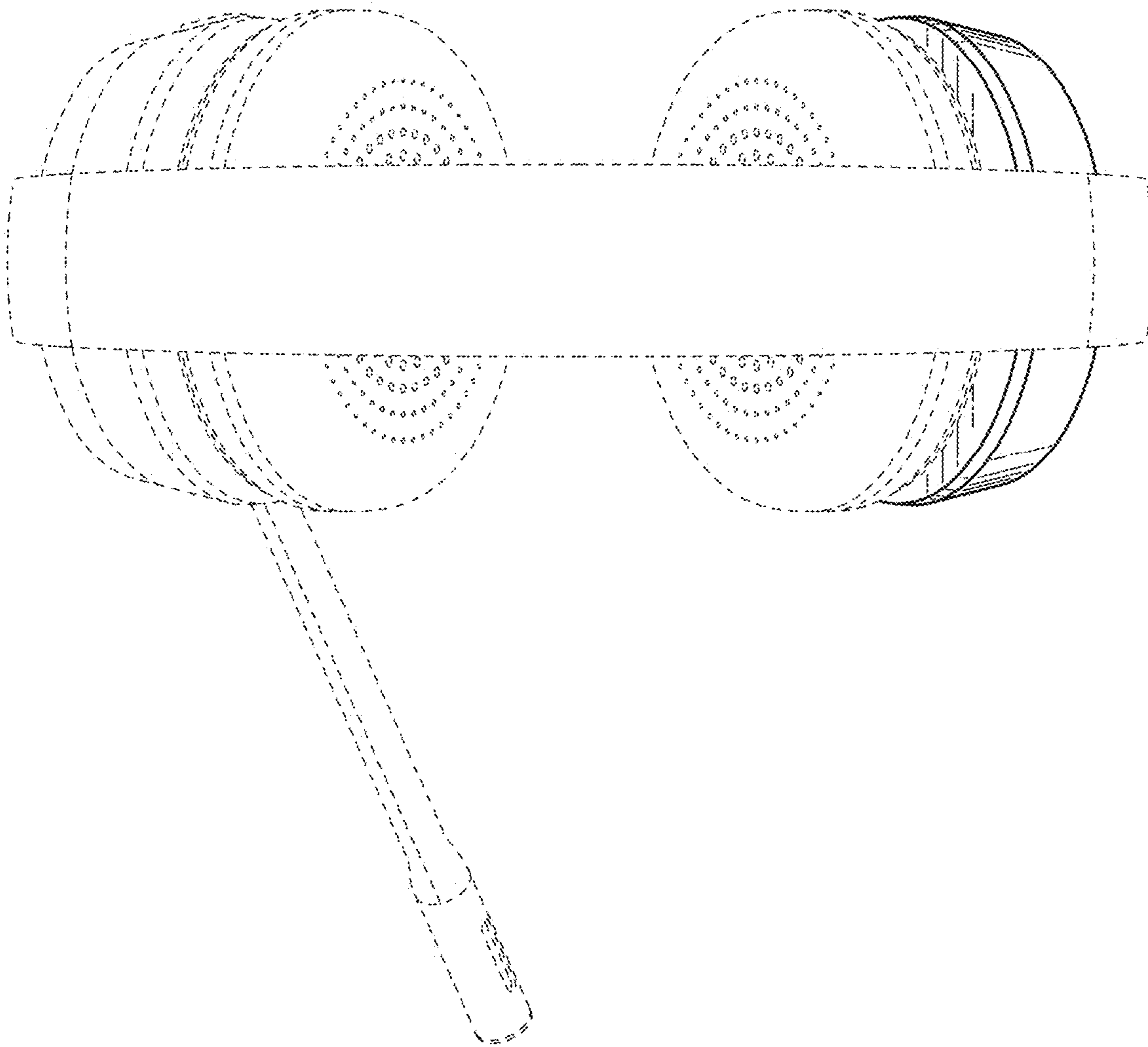


FIG. 7

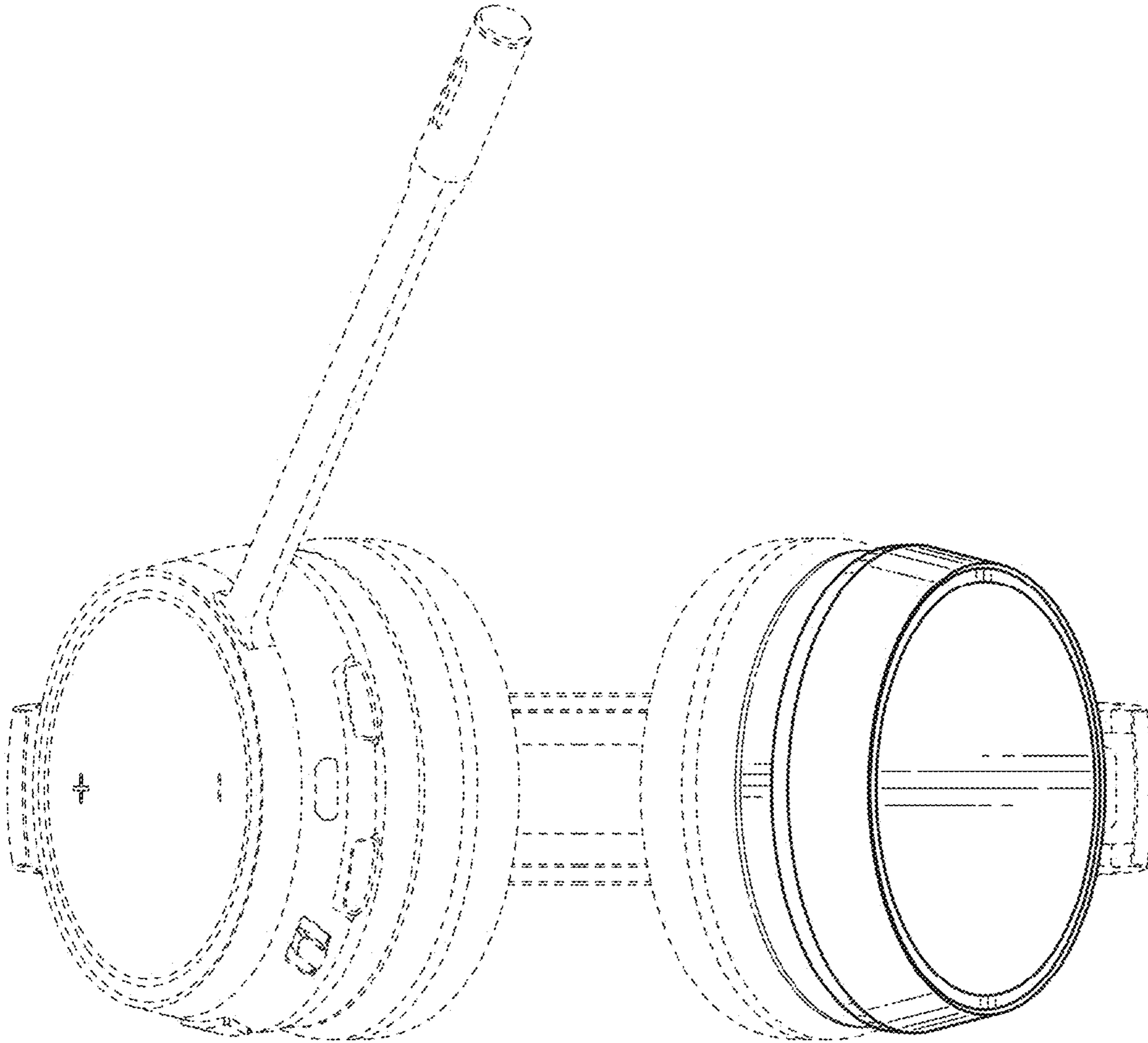


FIG. 8