



US00D927450S

(12) **United States Design Patent** (10) **Patent No.:** **US D927,450 S**  
**Carbone et al.** (45) **Date of Patent:** **\*\* \*Aug. 10, 2021**

(54) **LOUDSPEAKER**  
(71) Applicant: **Bose Corporation**, Framingham, MA (US)

D638,400 S \* 5/2011 Hawkins ..... D14/214  
D736,742 S \* 8/2015 Warden ..... D14/214  
D739,376 S \* 9/2015 Asao ..... D14/204  
D800,695 S \* 10/2017 Sugiura ..... D14/214

(72) Inventors: **Richard J. Carbone**, Sterling, MA (US); **Timothy J. Meredith**, Boston, MA (US); **Scott Puckett**, West Warwick, RI (US)

FOREIGN PATENT DOCUMENTS

JP D1573983 \* 4/2017  
JP D1673845 \* 11/2020  
JP D1673878 \* 11/2020

(73) Assignee: **Bose Corporation**, Framingham, MA (US)

OTHER PUBLICATIONS

(\* ) Notice: This patent is subject to a terminal disclaimer.

Bose S1 Pro Portable Bluetooth Speaker, date first available: May 10, 2018, [retrieved Jan. 12, 2021], Retrieved from Internet, URL: <[https://www.amazon.com/Bose-Bluetooth-Speaker-System-Battery/dp/B07BLZX73S/ref=asc\\_df\\_B07BLZX73S/?tag=hyprod-20&linkCode=df0&hvad=E2%80%A6](https://www.amazon.com/Bose-Bluetooth-Speaker-System-Battery/dp/B07BLZX73S/ref=asc_df_B07BLZX73S/?tag=hyprod-20&linkCode=df0&hvad=E2%80%A6)> (Year: 2018).\*

(\*\*) Term: **15 Years**

(Continued)

(21) Appl. No.: **29/716,332**

*Primary Examiner* — Barbara Fox

(22) Filed: **Dec. 9, 2019**

*Assistant Examiner* — Aram Kwon

(51) **LOC (13) Cl.** ..... **14-01**

(74) *Attorney, Agent, or Firm* — Bose Corporation

(52) **U.S. Cl.**  
USPC ..... **D14/204**

(57) **CLAIM**

(58) **Field of Classification Search**  
USPC ..... D14/155–159, 160–173, 187–188,  
D14/203.1–203.8, 204–216, 217–222,  
D14/225–229, 496  
CPC ..... H04R 1/02; H04R 1/021; H04R 1/023;  
H04R 5/00; H04R 9/06; H04R 2420/07

The ornamental design for a loudspeaker, as shown and described.

**DESCRIPTION**

See application file for complete search history.

FIG. 1 is a perspective view of a loudspeaker as seen from the front, top and left side;  
FIG. 2 is a front view thereof;  
FIG. 3 is a left side view thereof;  
FIG. 4 is a rear view thereof;  
FIG. 5 is a right side view thereof;  
FIG. 6 is a top view thereof; and,  
FIG. 7 is a bottom view thereof.

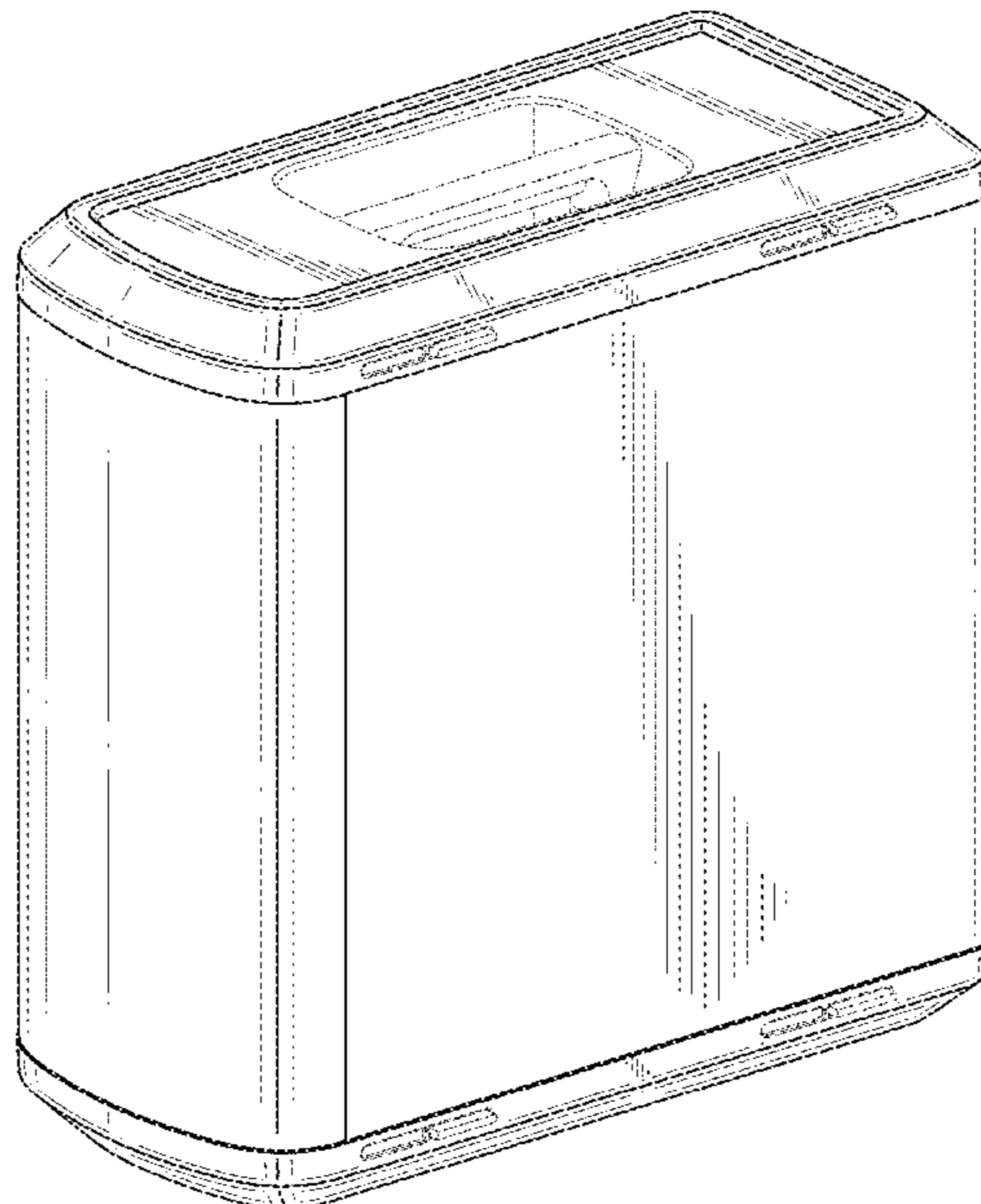
The dotted lines shown in the drawings depict portions of the loudspeaker that form no part of the claimed design.

(56) **References Cited**

U.S. PATENT DOCUMENTS

D343,230 S \* 1/1994 Lim ..... D14/214  
D353,142 S \* 12/1994 Yamamoto ..... D14/210  
D482,675 S \* 11/2003 Carbone ..... D14/214  
D547,302 S \* 7/2007 Schmieta ..... D14/214  
D609,216 S \* 2/2010 Davies ..... D14/214

**1 Claim, 7 Drawing Sheets**



(56)

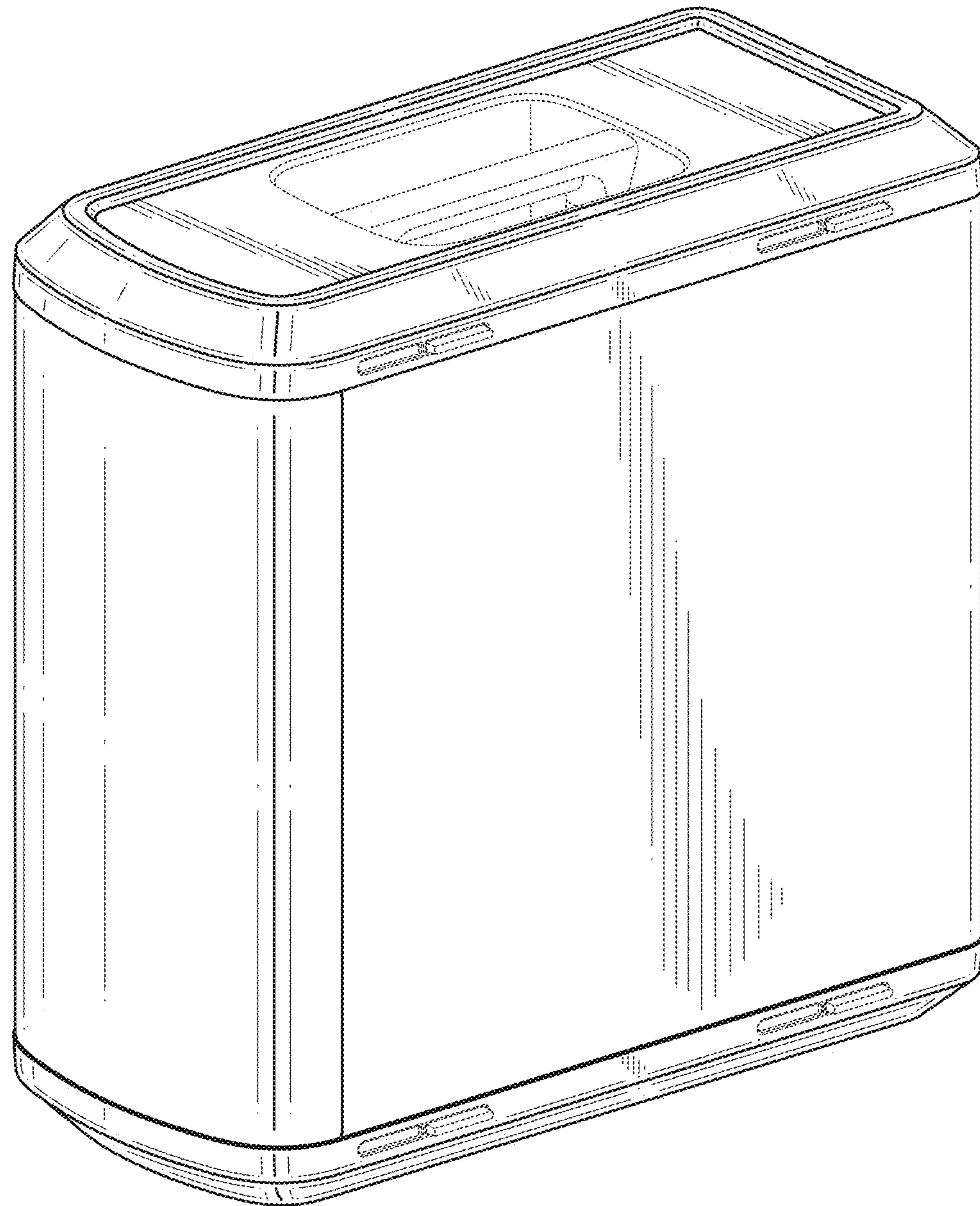
**References Cited**

OTHER PUBLICATIONS

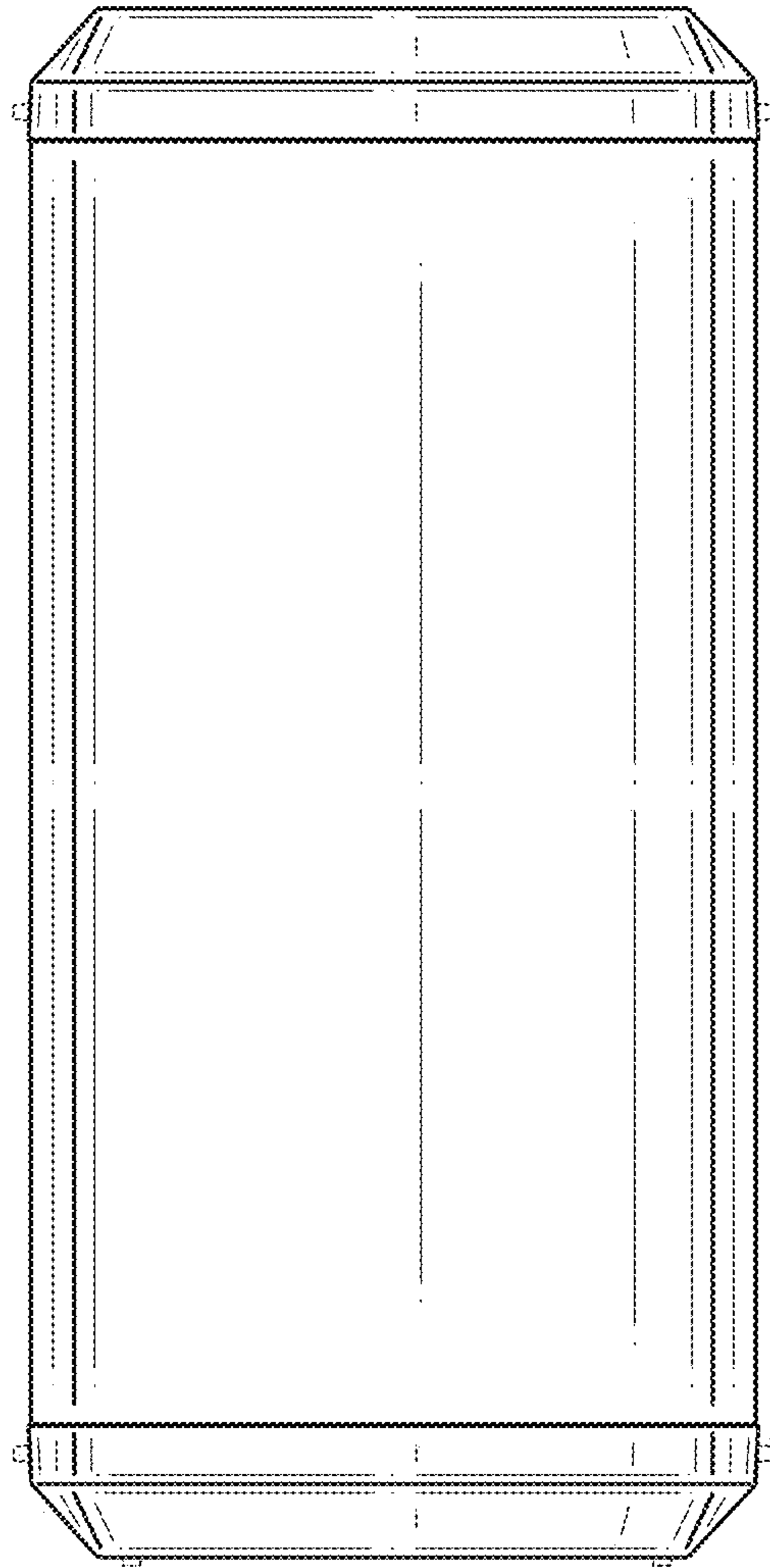
Bose L1 Pro Series Sub2 Portable Bass Module, date not available, [retrieved Jan. 12, 2021], Retrieved from Internet, URL: <[https://www.bhphotovideo.com/c/product/1592643-REG/bose\\_840917\\_1100\\_sub2\\_powered\\_bass\\_module.html](https://www.bhphotovideo.com/c/product/1592643-REG/bose_840917_1100_sub2_powered_bass_module.html)> (Year: 2020).\*

Bose Sub2 Powered Bass Module Pair, date not available, [retrieved Jan. 12, 2021], Retrieved from Internet, URL: <<https://www.guitarcenter.com/Bose/Sub2-Powered-Bass-Module-Pair-1500000335662.gc?cny=us&source=4WWRWXGP&gclid=EAIaIQobChMI0MO%E2%80%A6>> (Year: 2020).\*

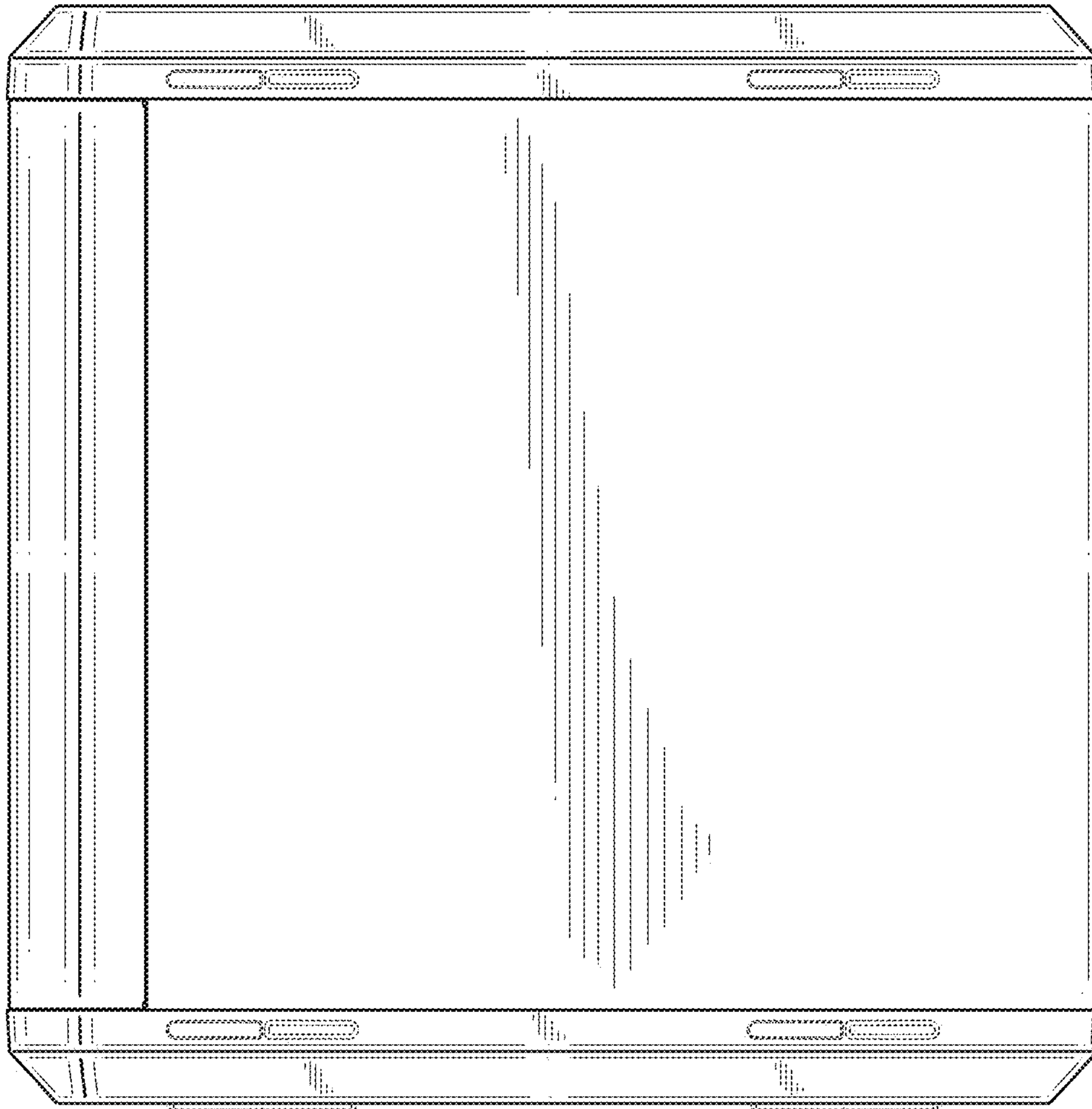
\* cited by examiner



**FIG. 1**

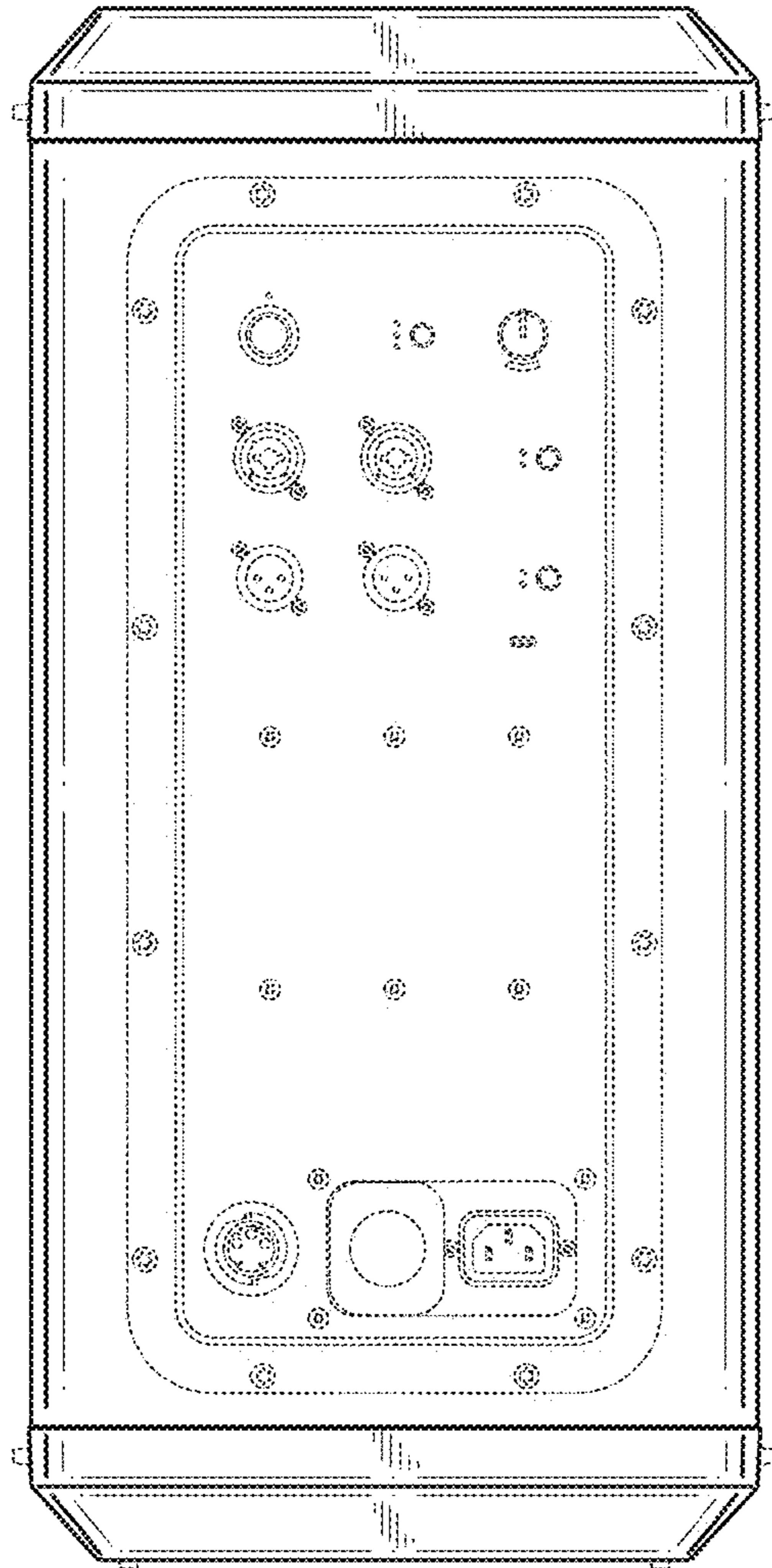


**FIG. 2**

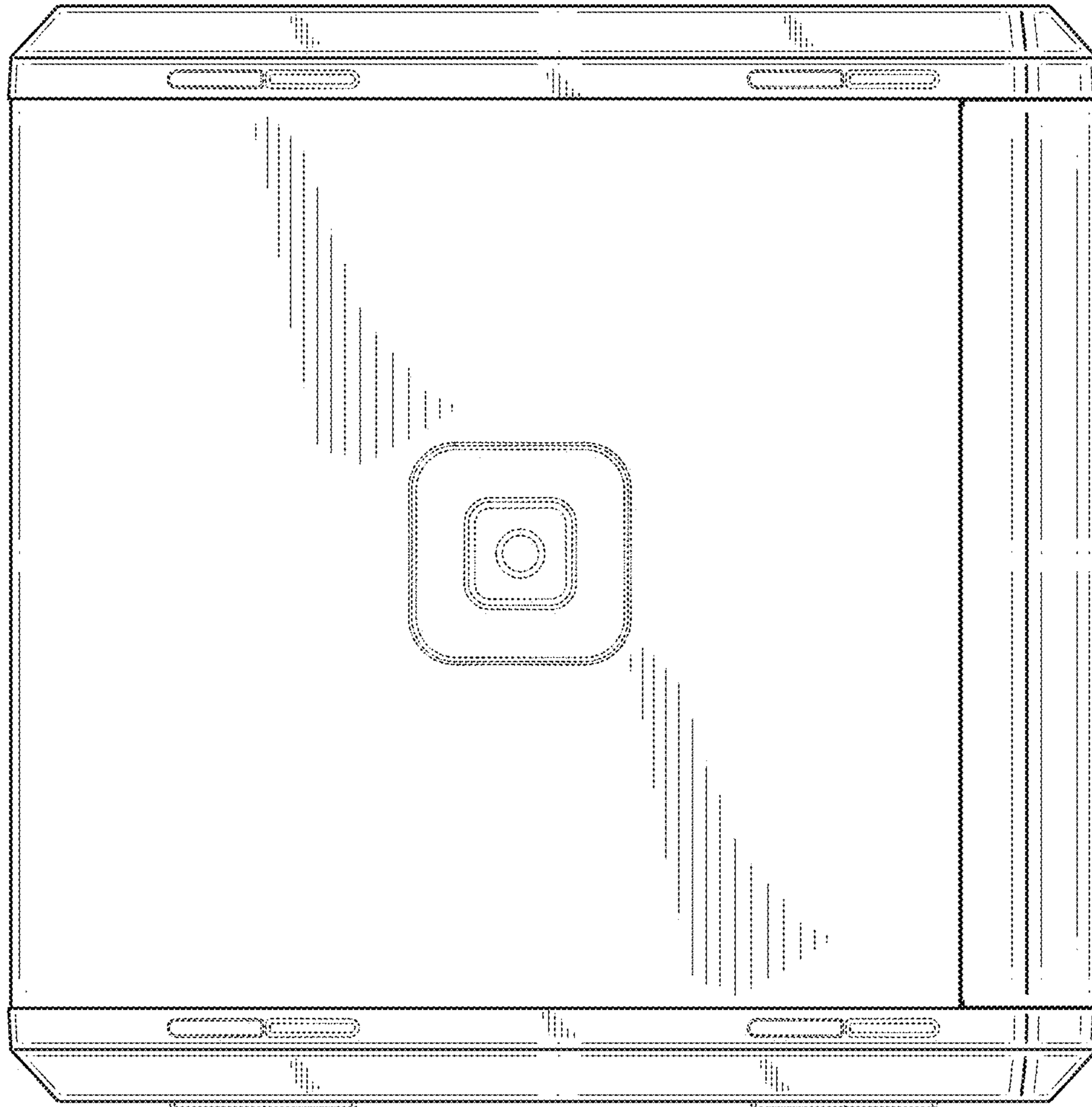


**FIG. 3**

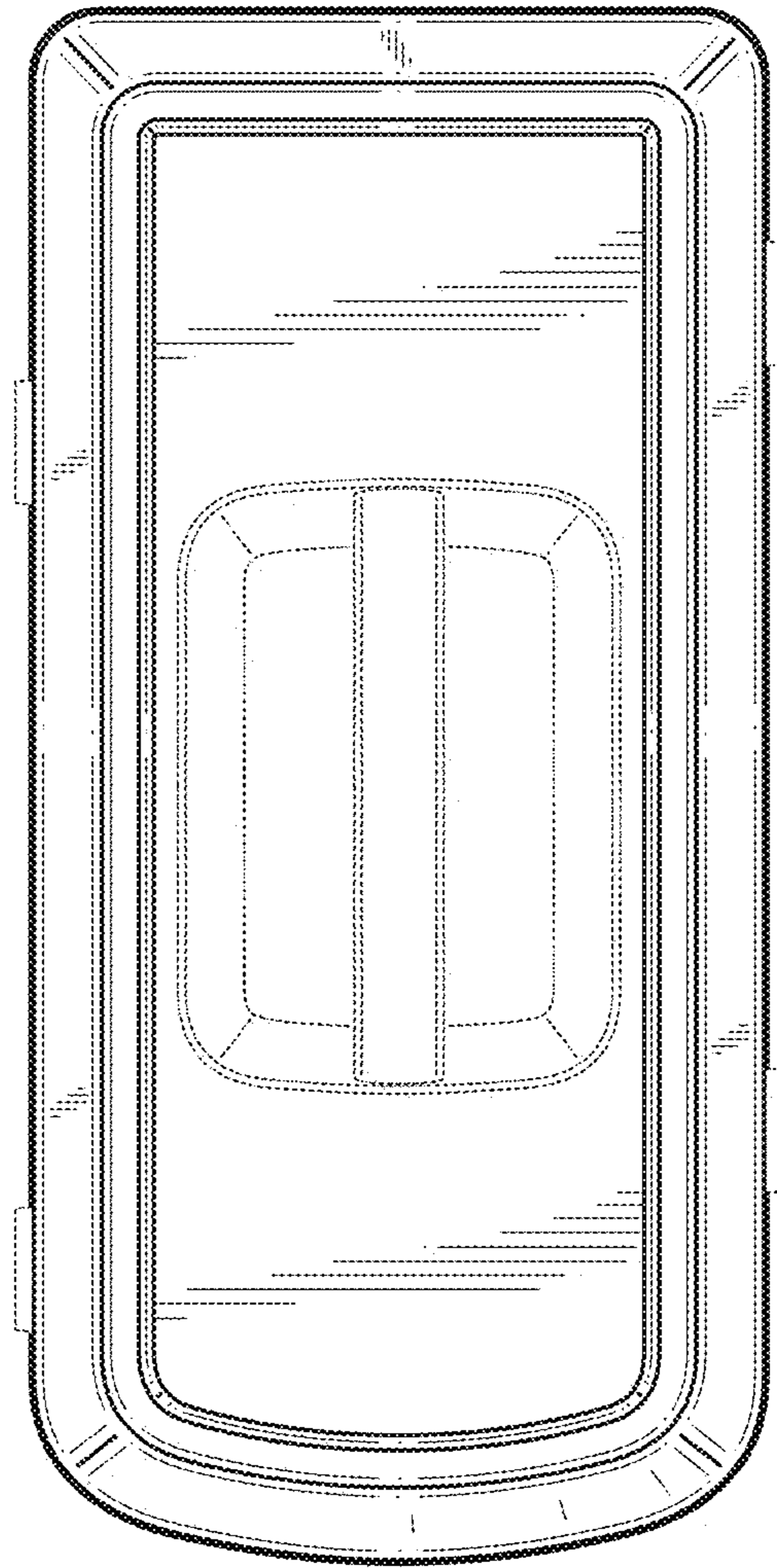




**FIG. 4**

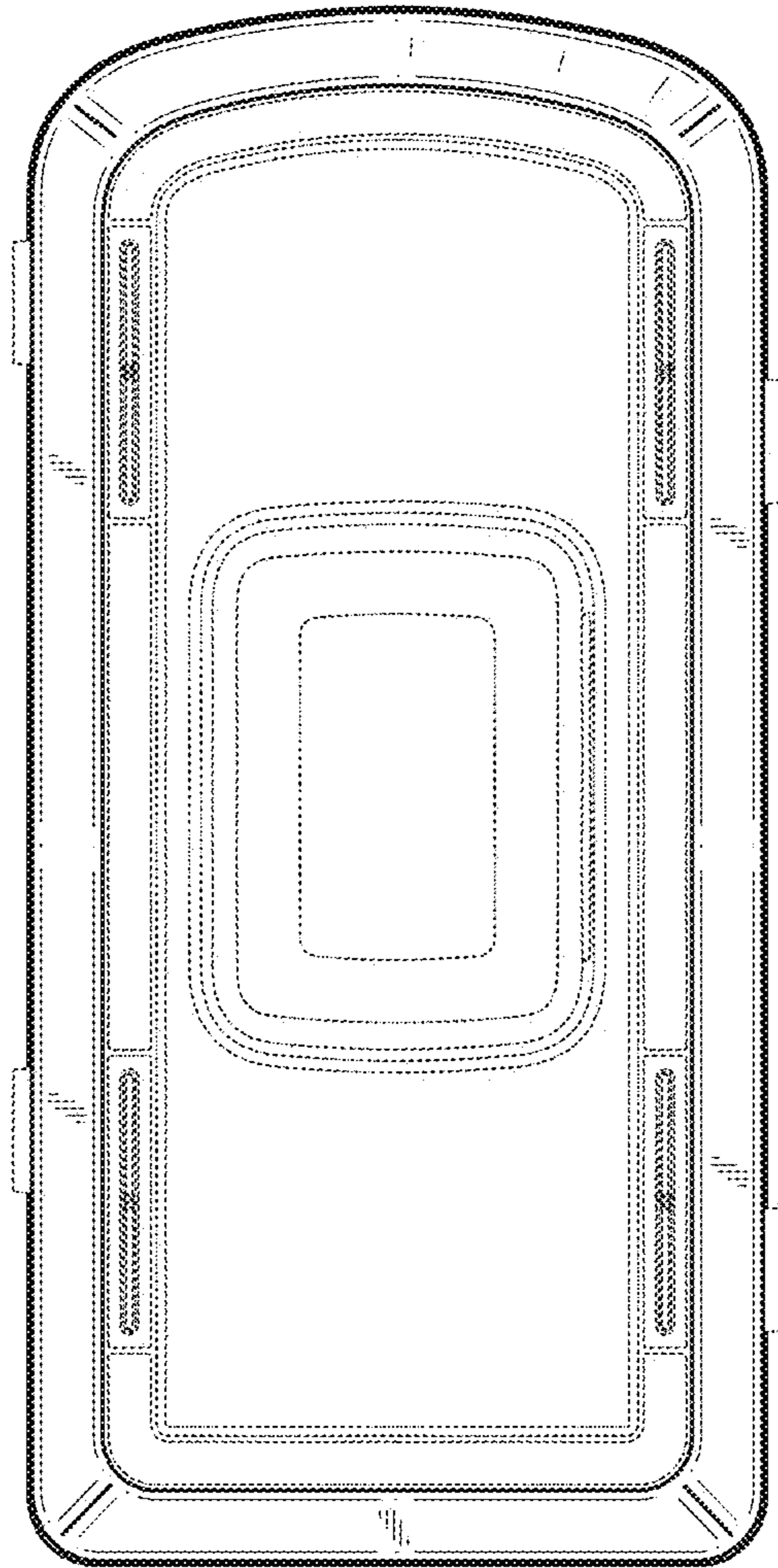


**FIG. 5**



**FIG. 6**





**FIG. 7**