



US00D927449S

(12) **United States Design Patent** (10) **Patent No.:** **US D927,449 S**
Puckett et al. (45) **Date of Patent:** **** *Aug. 10, 2021**

(54) **LOUDSPEAKER**

OTHER PUBLICATIONS

- (71) Applicant: **Bose Corporation**, Framingham, MA (US)
- (72) Inventors: **Scott Puckett**, West Warwick, RI (US); **Richard J. Carbone**, Sterling, MA (US)
- (73) Assignee: **Bose Corporation**, Framingham, MA (US)
- (*) Notice: This patent is subject to a terminal disclaimer.
- (**) Term: **15 Years**

Bose Professional L1 Pro8 Portable Line Array Systems, (c) 2020 [online], [retrieved Dec. 18, 2020], Retrieved from Internet, URL: <https://www.amazon.com/Bose-Professional-Portable-Array-Systems/dp/B08M8966K2/ref=asc_df_B08M8966K2/?tag=hyprod-20&linkCode=df0&hvad%E2%80%A6> (Year: 2020).*

(Continued)

Primary Examiner — Barbara Fox
Assistant Examiner — Aram Kwon
(74) *Attorney, Agent, or Firm* — Bose Corporation

- (21) Appl. No.: **29/716,322**
- (22) Filed: **Dec. 9, 2019**
- (51) **LOC (13) Cl.** **14-01**
- (52) **U.S. Cl.**
USPC **D14/204**
- (58) **Field of Classification Search**
USPC D14/155–159, 160–173, 187–188,
D14/203.1–203.8, 204–216, 217–222,
D14/225–229, 496
CPC H04R 1/02; H04R 1/021; H04R 1/023;
H04R 5/00; H04R 9/06; H04R 2420/07
See application file for complete search history.

(57) **CLAIM**

The ornamental design for a loudspeaker, as shown and described.

DESCRIPTION

FIG. 1 is a perspective view of a first configuration of a loudspeaker as seen from the front, top and left side; FIG. 2 is a front view thereof; FIG. 3 is a right side view thereof; FIG. 4 is a rear view thereof; FIG. 5 is a left side view thereof; FIG. 6 is a top view thereof; FIG. 7 is a bottom view thereof; FIG. 8 is a perspective view of a second configuration of the loudspeaker as seen from the front, top and left side; FIG. 9 is a front view thereof; FIG. 10 is a right side view thereof; FIG. 11 is a rear view thereof; FIG. 12 is a left side view thereof; FIG. 13 is a top view thereof; and, FIG. 14 is a bottom view thereof. The broken lines shown in the drawings depict portions of the loudspeaker that form no part of the claimed design.

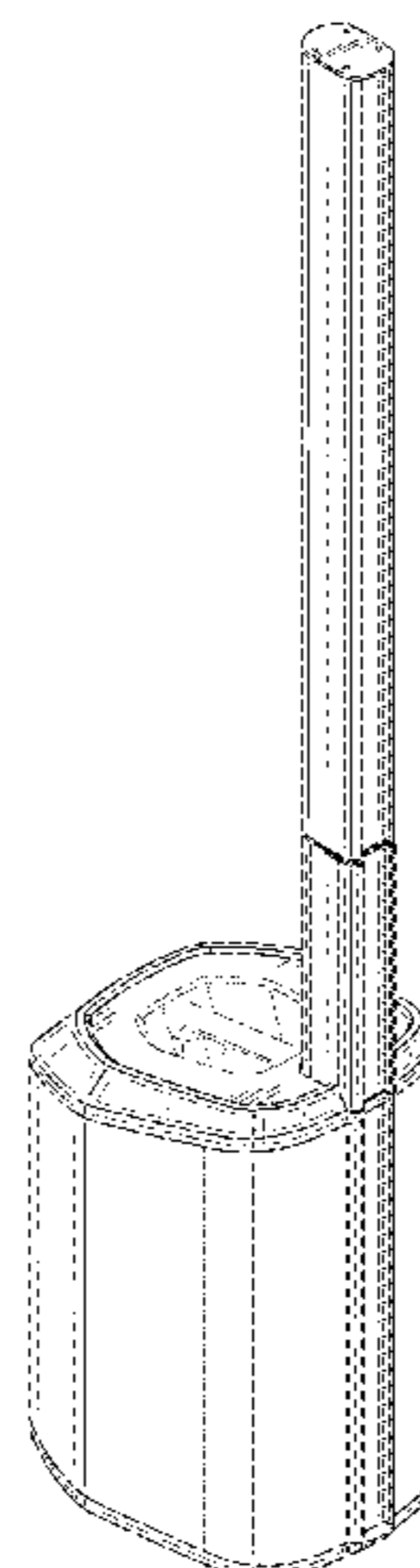
(56) **References Cited**

U.S. PATENT DOCUMENTS

5,734,728	A *	3/1998	Meissner	H04R 1/347 181/148
5,802,190	A *	9/1998	Ferren	H04R 1/26 181/144
D480,069	S *	9/2003	Carbone	D14/216
D522,492	S *	6/2006	Carbone	D14/211
D525,615	S *	7/2006	Tanaka	D14/211
7,319,767	B2 *	1/2008	Fidlin	H04R 1/06 381/182
D562,307	S	2/2008	Warden		
D596,157	S *	7/2009	Warden	D14/211
D611,452	S	3/2010	Warden et al.		

(Continued)

1 Claim, 8 Drawing Sheets



(56)

References Cited

U.S. PATENT DOCUMENTS

8,126,180	B2 *	2/2012	Jacob	H04R 1/26 381/332
D658,159	S *	4/2012	Janky	D14/214
D658,160	S *	4/2012	Janky	D14/214
D813,838	S *	3/2018	Pietschmann	D14/214
D841,614	S *	2/2019	Krapfl	D14/204
D857,647	S *	8/2019	Pietschmann	D14/204
D886,771	S *	6/2020	Naddei	D14/204
2010/0111342	A1 *	5/2010	Jacob	H04R 1/26 381/332

OTHER PUBLICATIONS

L1 Pro8 Portable Line Array System, date not available, [retrieved Dec. 18, 2020], Retrieved from Internet, URL: <https://www.bose.com/en_us/products/speakers/portable_pa_speakers/11-pro8-portable-line-array-system.html#v=11_pro8_black_us> (Year: 2020).*

L1 Pro16 Portable Line Array System, date not available, [retrieved Dec. 18, 2020], Retrieved from Internet, URL: <https://www.bose.com/en_us/products/speakers/portable_pa_speakers/11-pro16-portable-line-array-system.html#v=11_pro16_black_us> (Year: 2020).*

* cited by examiner

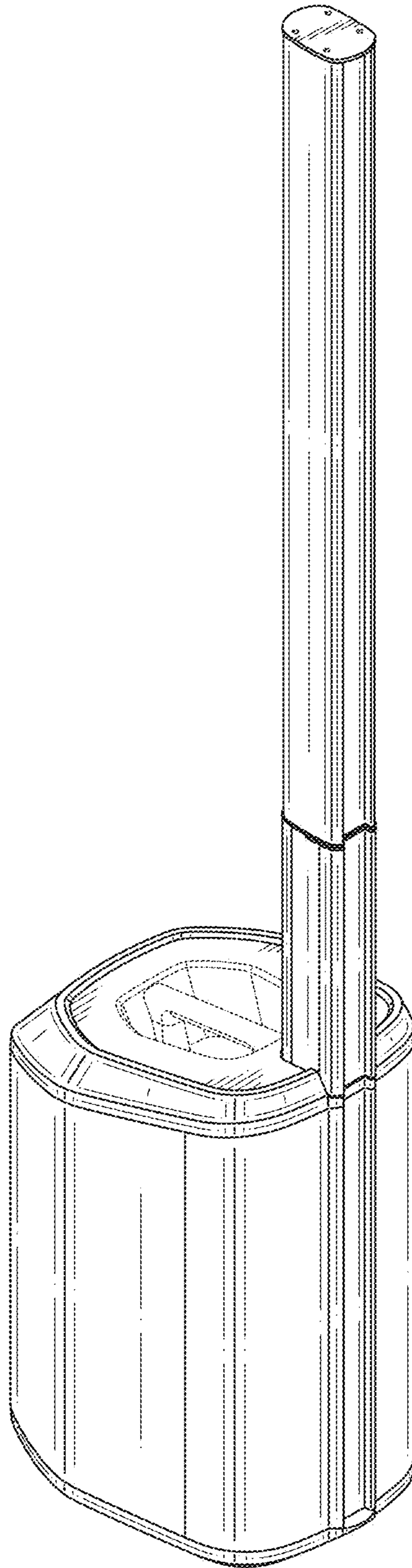


FIG. 1

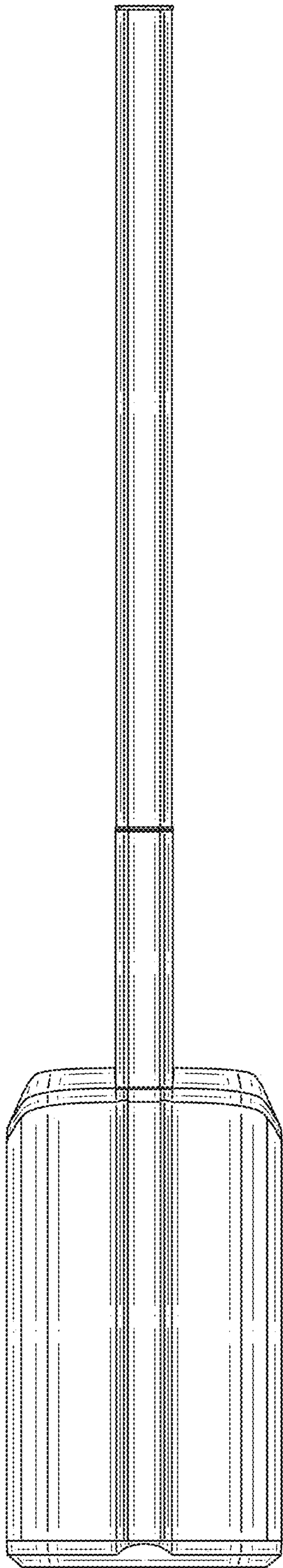


FIG. 2

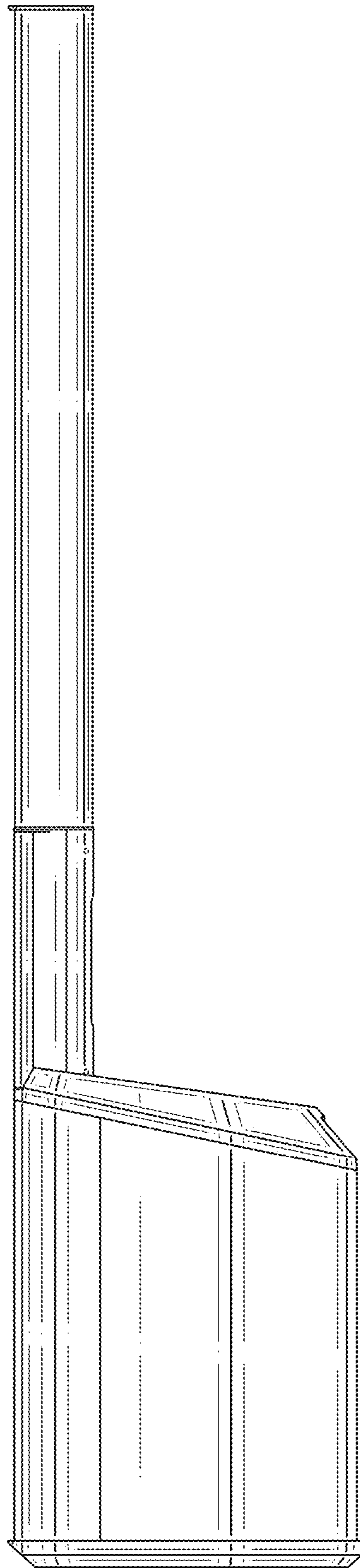


FIG. 3

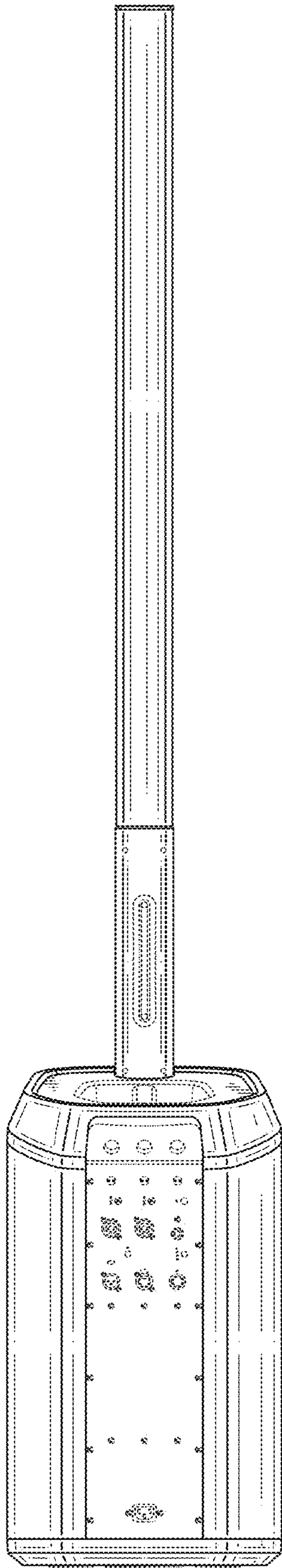


FIG. 4

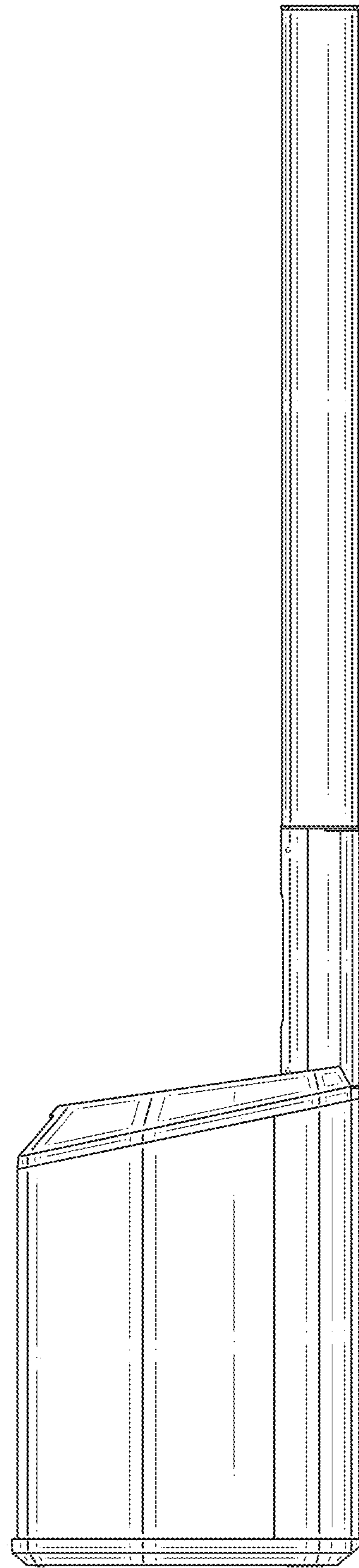


FIG. 5

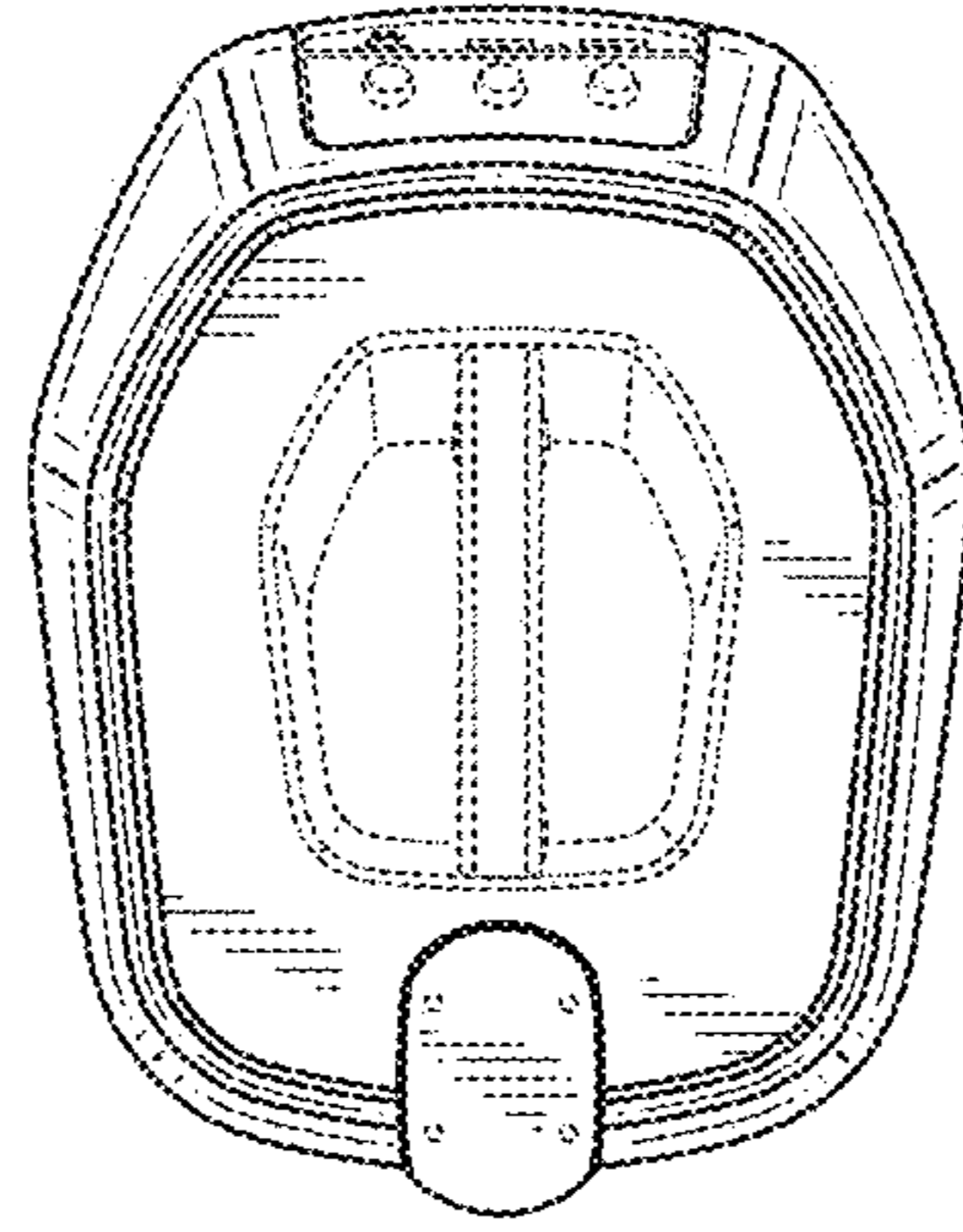


FIG. 6

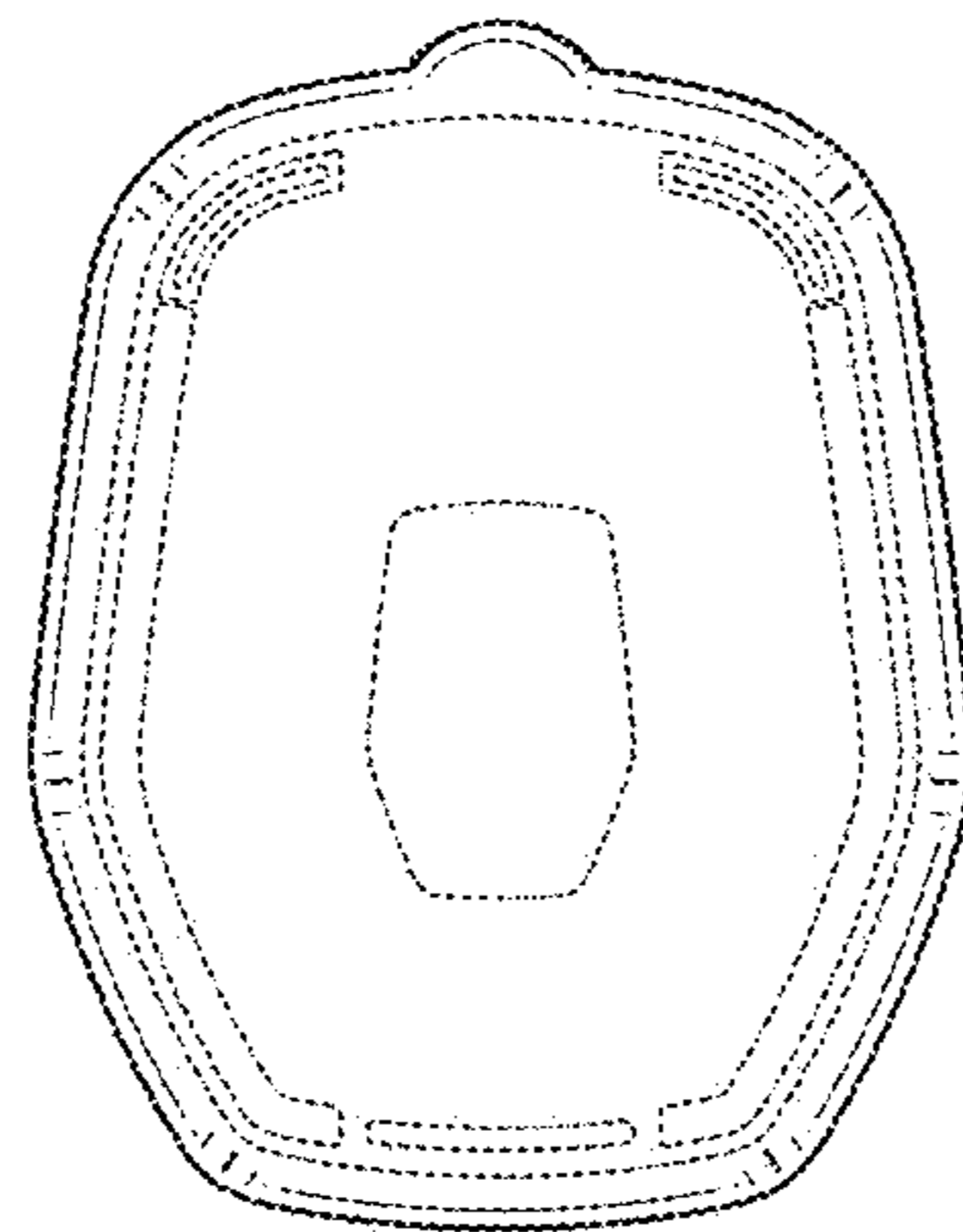


FIG. 7

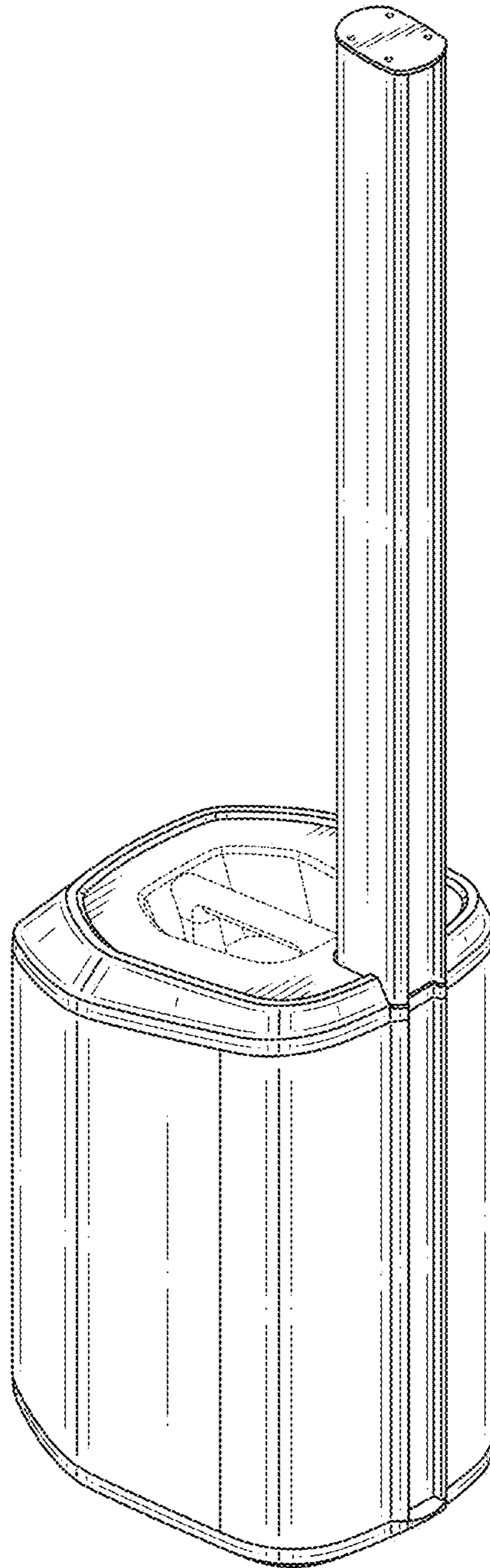


FIG. 8

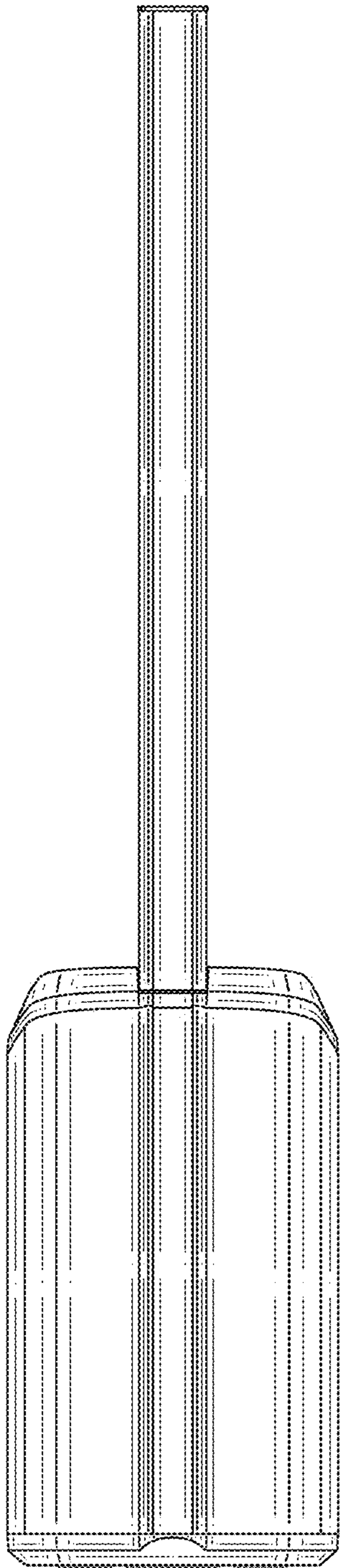


FIG. 9

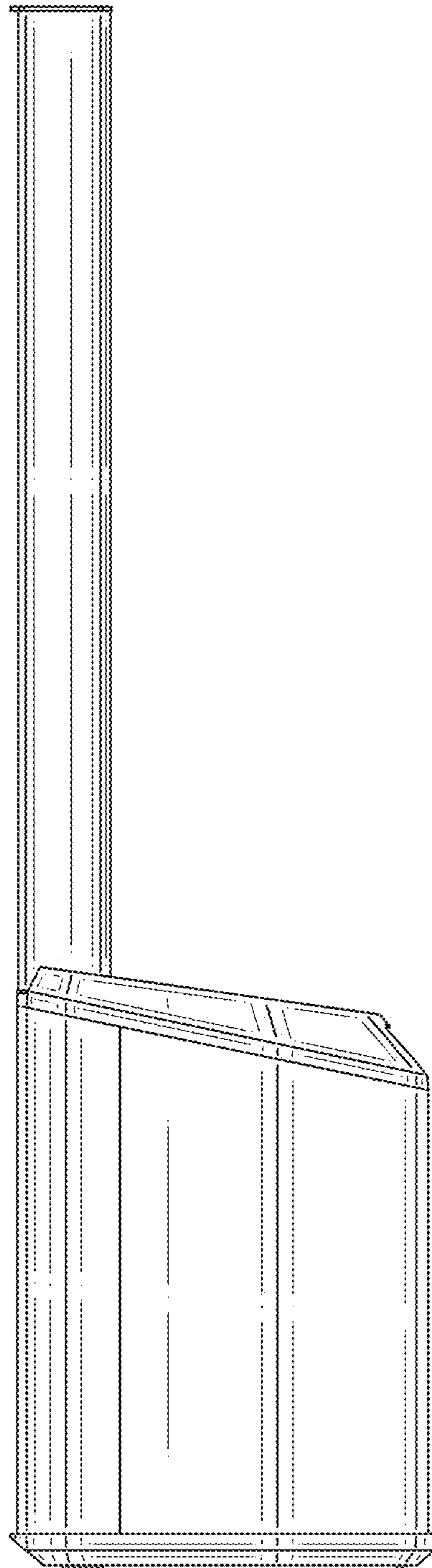


FIG. 10

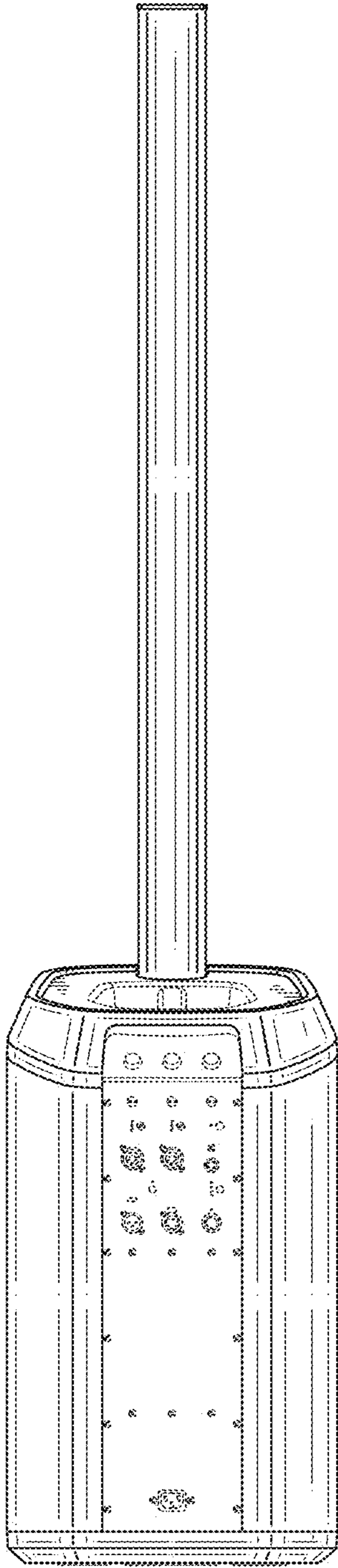


FIG. 11

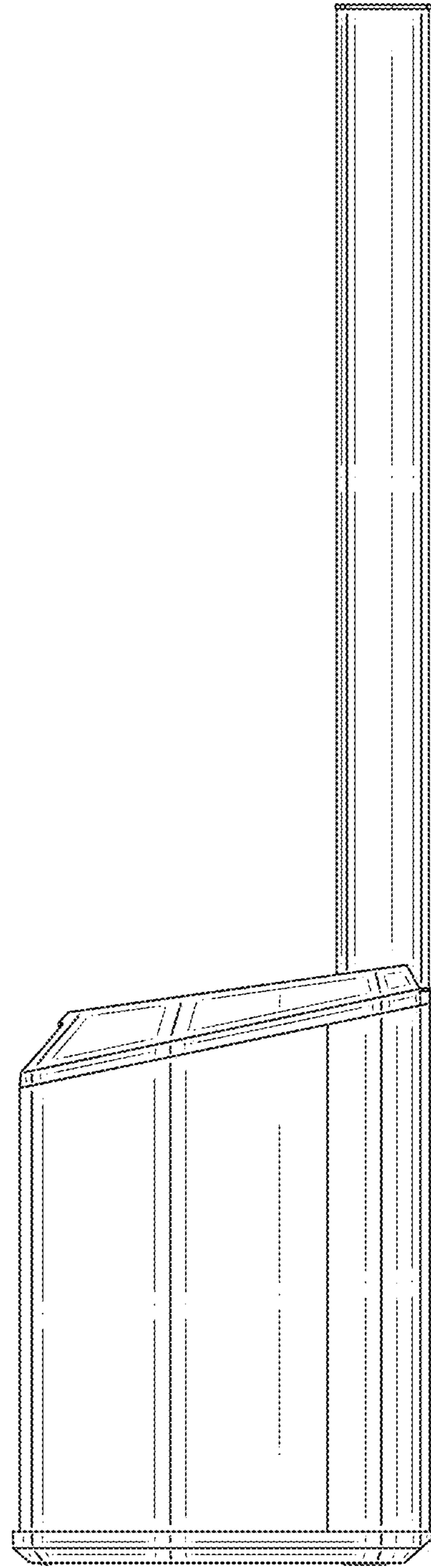


FIG. 12

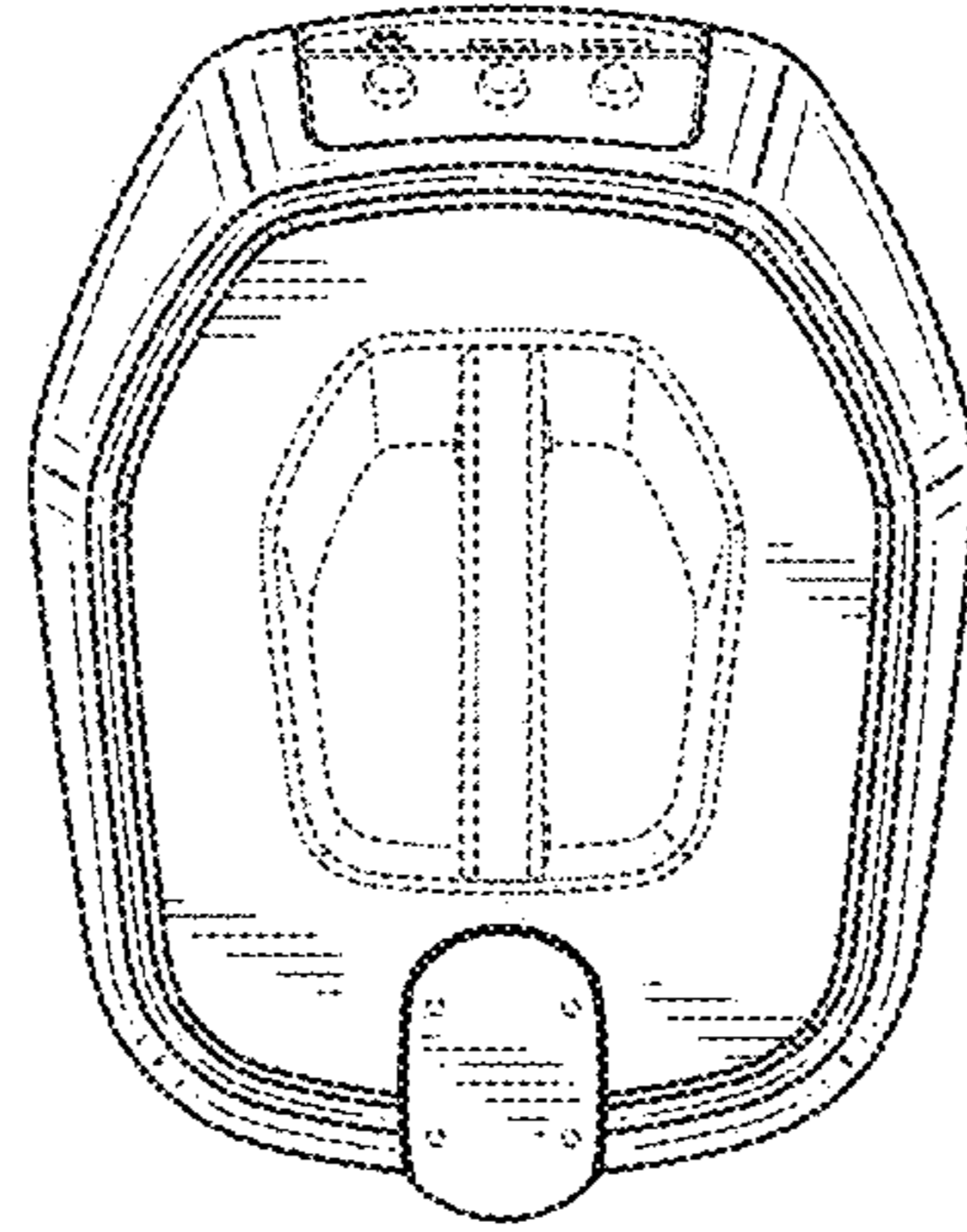


FIG. 13

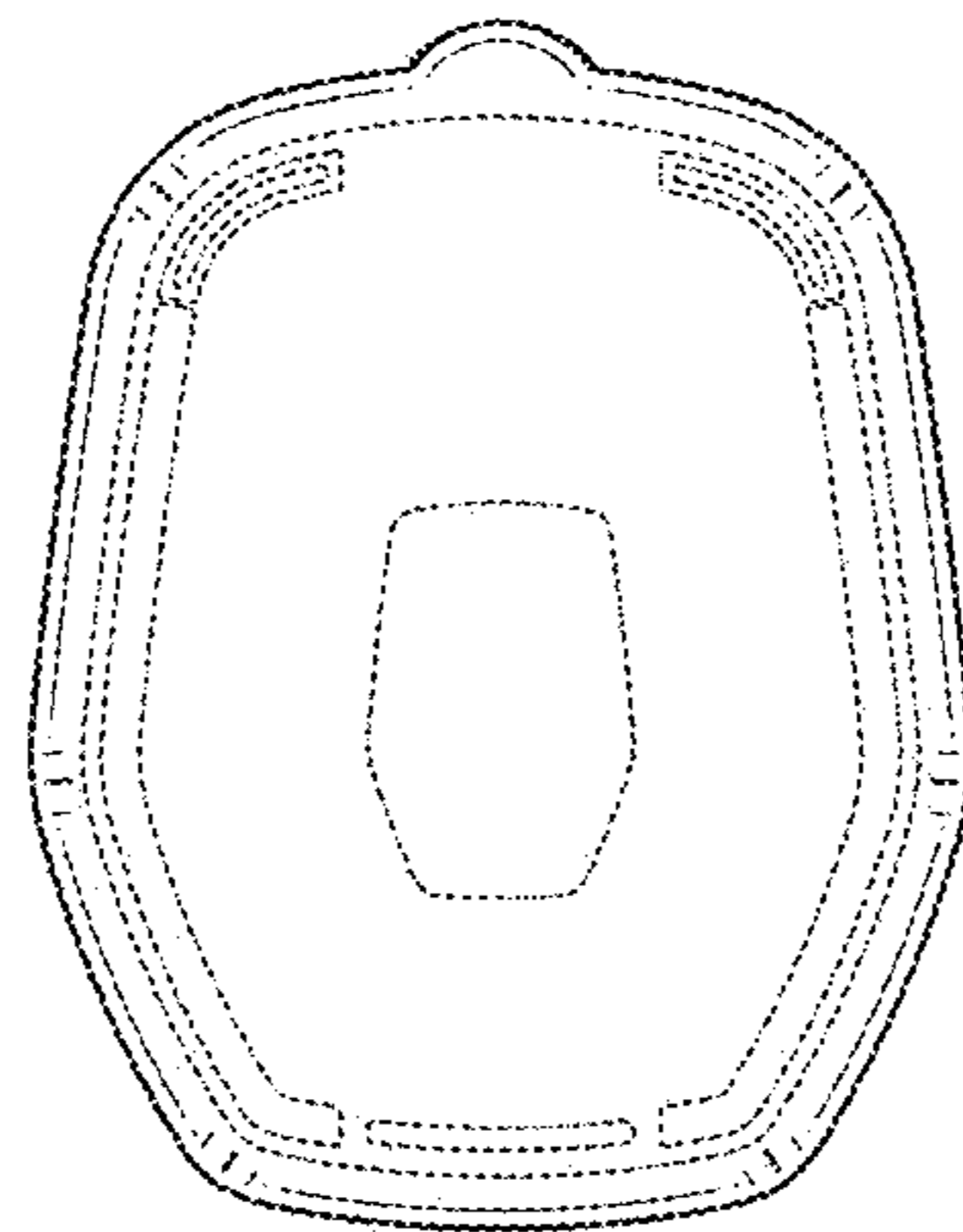


FIG. 14