



US00D927446S

(12) **United States Design Patent** (10) **Patent No.:** **US D927,446 S**  
**Solow** (45) **Date of Patent:** **\*\* Aug. 10, 2021**

(54) **ELECTRONIC DEVICE HOUSING**  
(71) Applicant: **WOLO MFG. CORP.**, Deer Park, NY (US)  
(72) Inventor: **Stanley Solow**, Plainview, NY (US)  
(73) Assignee: **WOLO MFG. CORP.**, Deer Park, NY (US)

D566,704 S \* 4/2008 Cutting ..... D14/313  
D584,237 S \* 1/2009 Zhu ..... D13/147  
D674,428 S \* 1/2013 Woodman ..... D16/218  
D691,959 S \* 10/2013 Kajiura ..... D13/147  
D702,277 S \* 4/2014 Woodman ..... D16/219  
D719,115 S \* 12/2014 Liu ..... D13/184  
D737,807 S \* 9/2015 Jekl ..... D14/257  
D768,585 S \* 10/2016 Moore ..... D13/184

(Continued)

(\*\*) Term: **15 Years**  
(21) Appl. No.: **29/700,087**  
(22) Filed: **Jul. 31, 2019**  
(51) **LOC (13) Cl.** ..... **14-03**  
(52) **U.S. Cl.**  
USPC ..... **D14/188**  
(58) **Field of Classification Search**  
USPC ..... D14/137, 138 R-138 G, 155-159,  
D14/160-173, 187-188, 189-193,  
D14/203.1-203.8, 204-216, 217-222,  
D14/225-229, 240-243, 357, 358, 496;  
D16/135  
CPC ..... B60R 11/0217; H04M 1/03; H04M 1/035;  
H04N 5/642; H04N 21/4852; H04R 1/02;  
H04R 1/06; H04R 1/021; H04R 1/025;  
H04R 1/026; H04R 1/028; H04R 1/105;  
H04R 1/323; H04R 1/403; H04R 1/2803;  
H04R 1/2834  
See application file for complete search history.

**OTHER PUBLICATIONS**

Nexgen Express Electronic Train Horn, review date: Jul. 15, 2020, [retrieved Apr. 9, 2021], Retrieved from Internet, URL: <<https://www.iowa80.com/pd/nexgen-express-electronic-train-horn/355596/>> (Year: 2020).\*

(Continued)

*Primary Examiner* — Barbara Fox  
*Assistant Examiner* — Aram Kwon  
(74) *Attorney, Agent, or Firm* — Andrew F. Young, Esq.;  
Nolte Lackenbach Siegel

(57) **CLAIM**

The ornamental design for an electronic device housing, as shown and described.

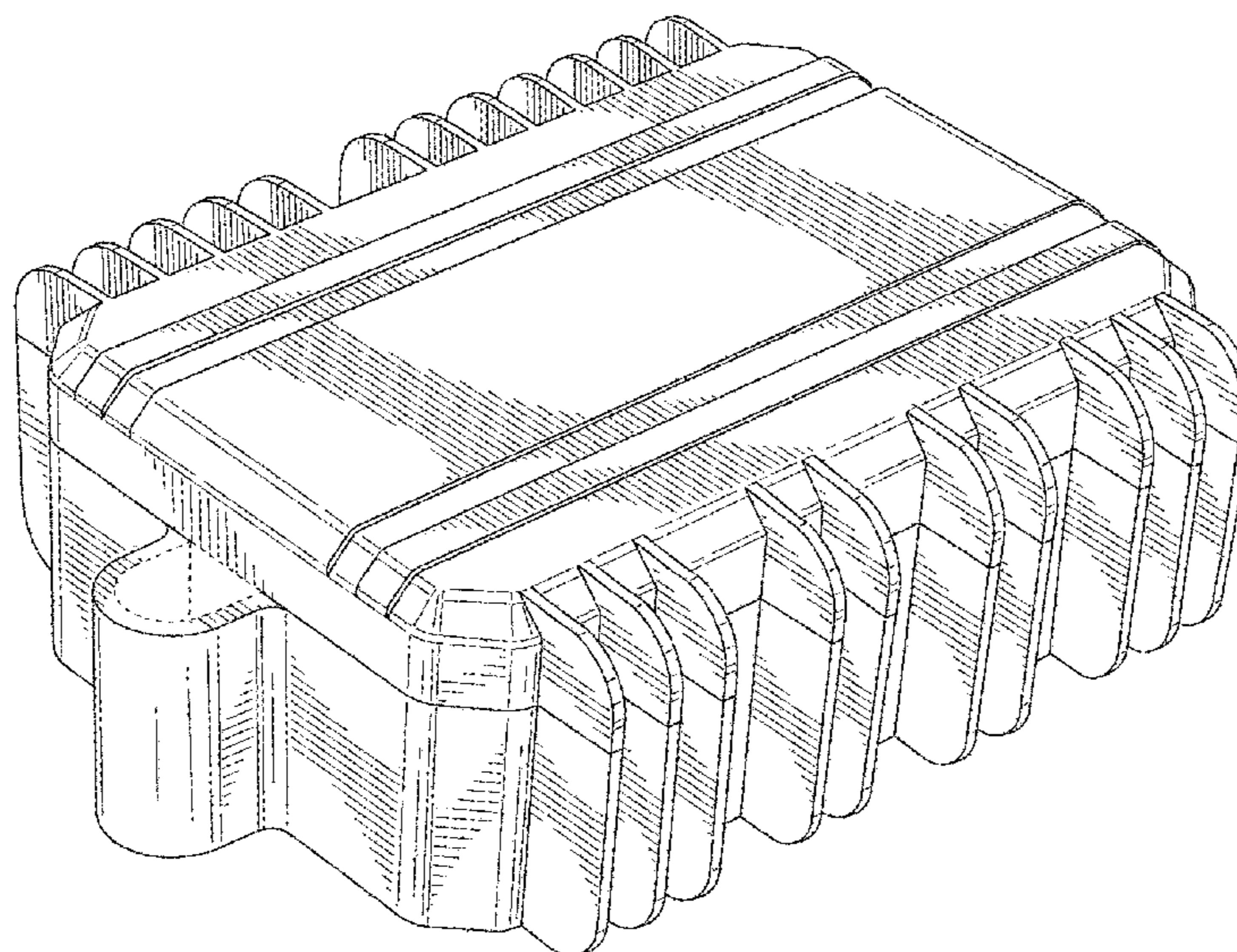
**DESCRIPTION**

FIG. 1 is a front top perspective view of a housing showing my new design.  
FIG. 2 is a rear bottom perspective view thereof.  
FIG. 3 is a top plan view thereof.  
FIG. 4 is a bottom plan view thereof.  
FIG. 5 is a front elevation view thereof.  
FIG. 6 is a rear elevation view thereof.  
FIG. 7 is a left side elevation view thereof; and,  
FIG. 8 is a right side elevation view thereof.  
The dashed broken lines shown in the figures depict portions of the electronic device housing that form no part of the claimed design.

(56) **References Cited**  
U.S. PATENT DOCUMENTS

D208,983 S \* 10/1967 Winston ..... D14/188  
D265,198 S \* 6/1982 Matsuda ..... D13/110  
D348,869 S \* 7/1994 Egger ..... D13/123  
D396,724 S \* 8/1998 Herbst ..... D14/230  
D460,419 S \* 7/2002 Zielke ..... D13/147  
D532,758 S \* 11/2006 Shimodaira ..... D13/184  
D550,172 S \* 9/2007 Aguilar ..... D13/184  
D565,021 S \* 3/2008 Wilson ..... D14/188

**1 Claim, 8 Drawing Sheets**



(56)

**References Cited**

U.S. PATENT DOCUMENTS

D776,738 S \* 1/2017 Clearman ..... D16/200  
D799,474 S \* 10/2017 Menendez ..... D14/313  
D826,760 S \* 8/2018 Deyaf ..... D10/106.1  
D887,986 S \* 6/2020 Ganamukhi ..... D13/147  
D887,987 S \* 6/2020 Ganamukhi ..... D13/147  
D908,090 S \* 1/2021 Link ..... D13/133  
D913,916 S \* 3/2021 Zaremba ..... D13/107

OTHER PUBLICATIONS

Wolo Manufacturing 897—Wolo Nexgen Express Horns, review date: Aug. 4, 2020, [retrieved Apr. 9, 2021], Retrieved from Internet, URL: <<https://www.summitracing.com/parts/wlo-897>> (Year: 2020).\*

Nexgen Express Electronic Train Horn by Wolo Mfg. Corp., Nov. 23, 2019, [retrieved Apr. 9, 2021], Retrieved from Internet, URL: <<https://www.youtube.com/watch?v=MQB1YD-XNaQ>> (Year: 2019).\*

\* cited by examiner

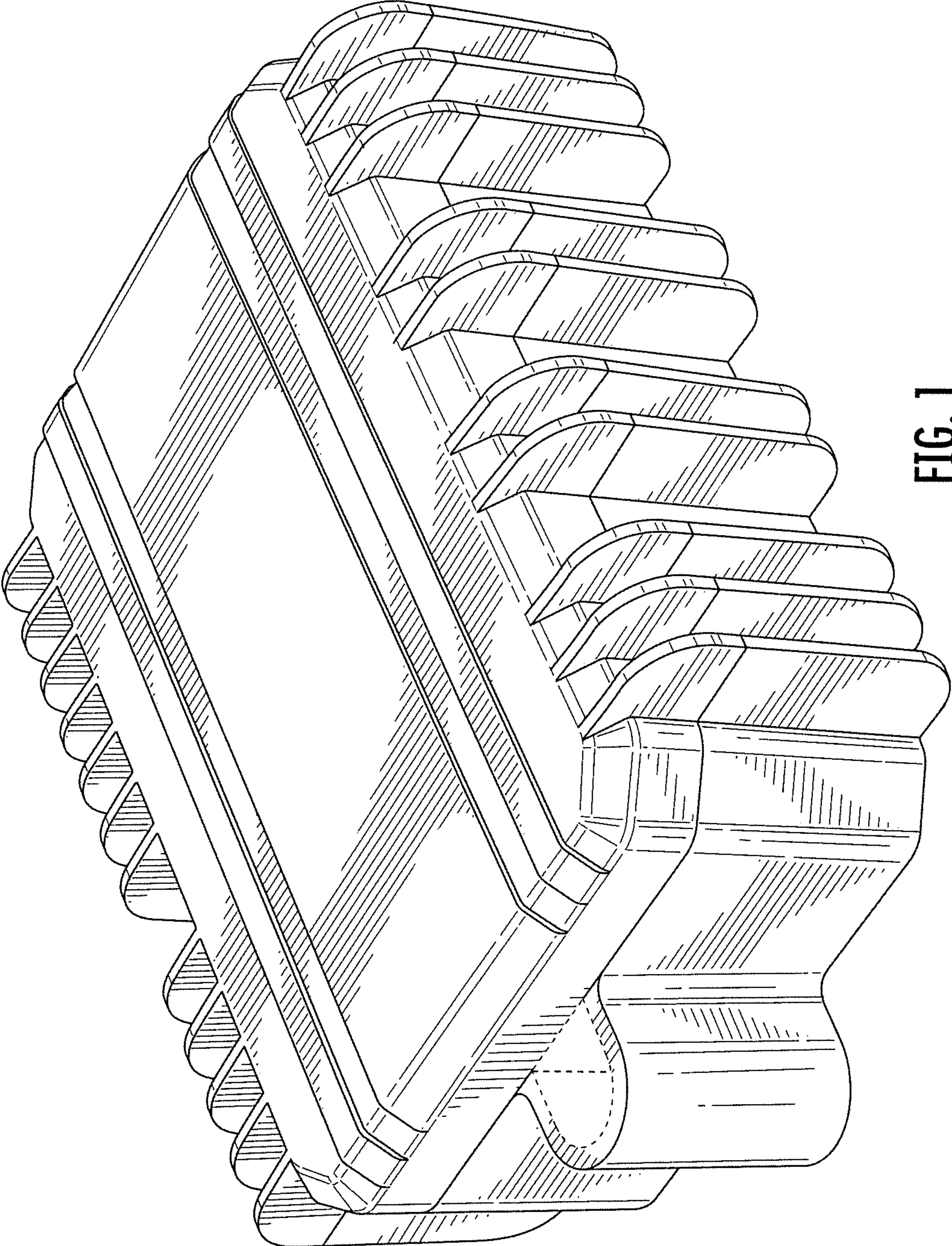


FIG. 1

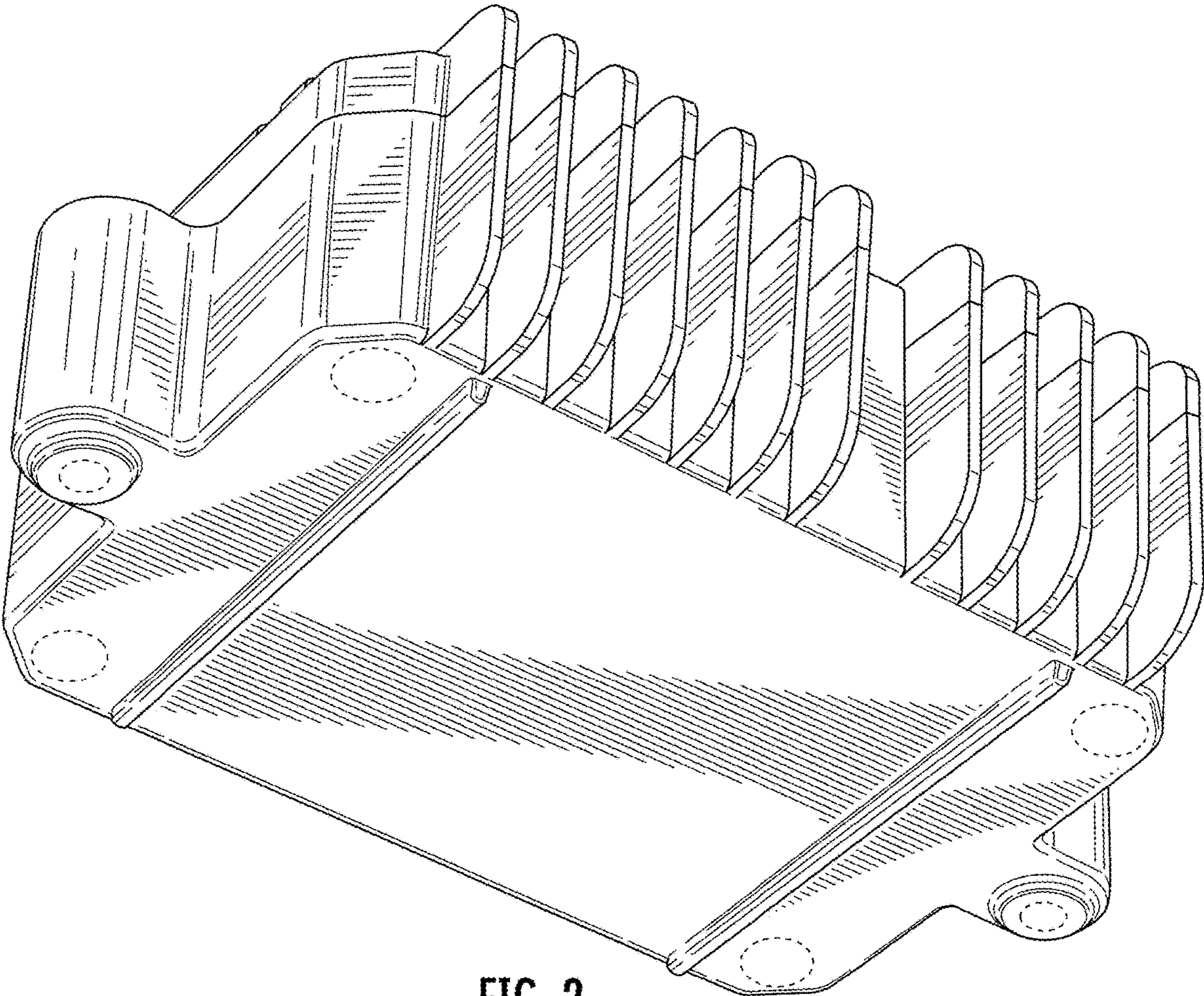


FIG. 2

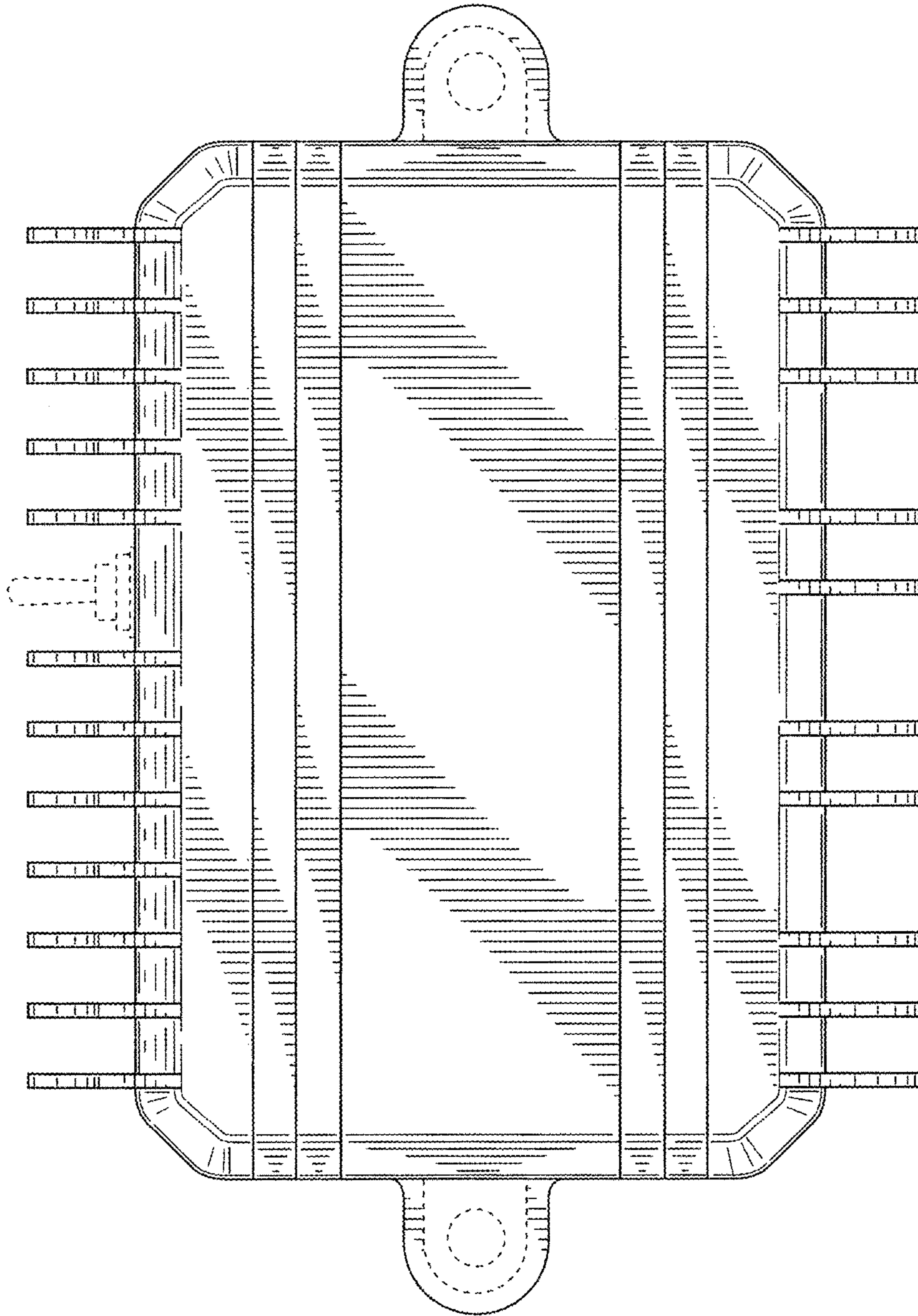


FIG. 3

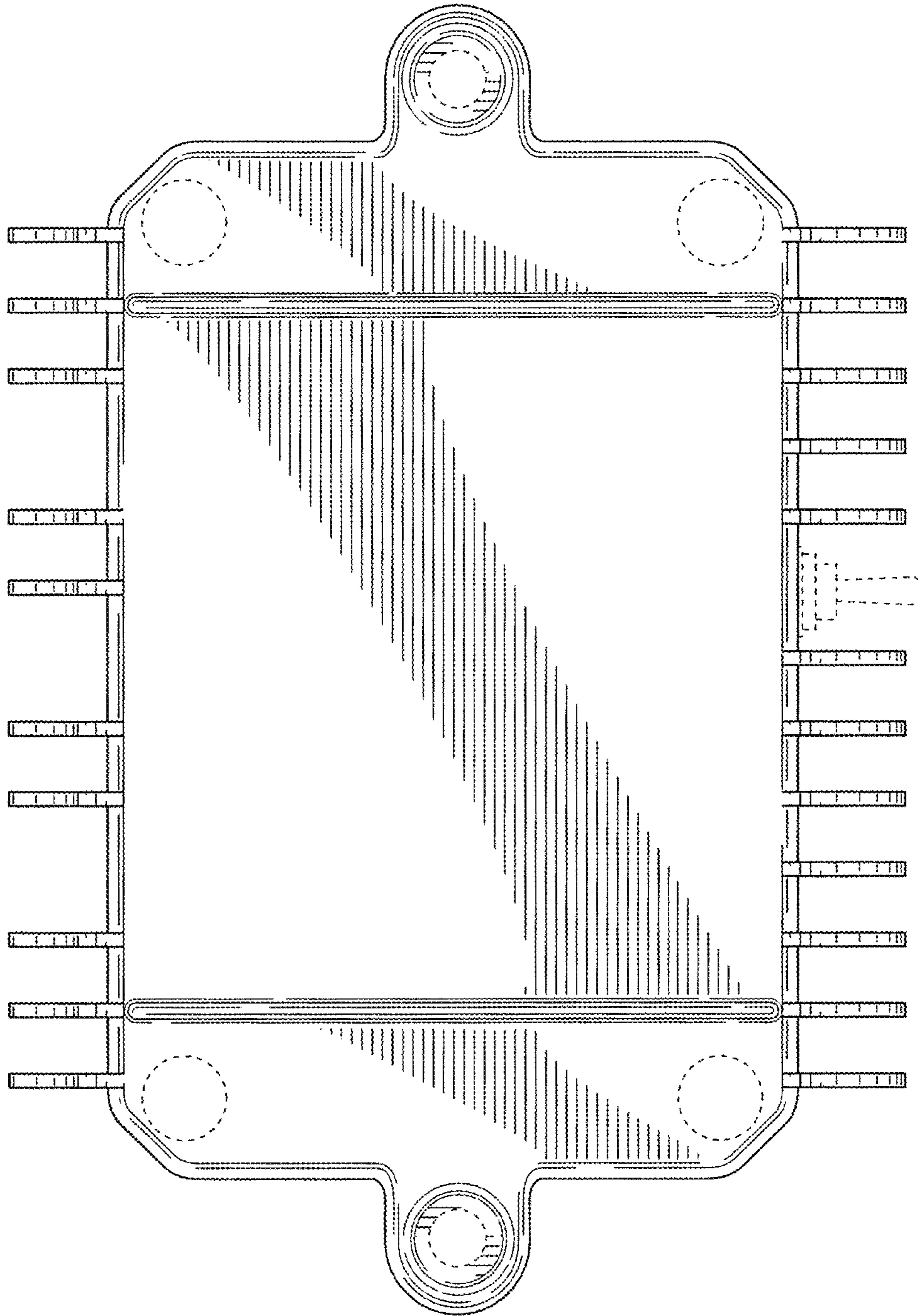


FIG. 4

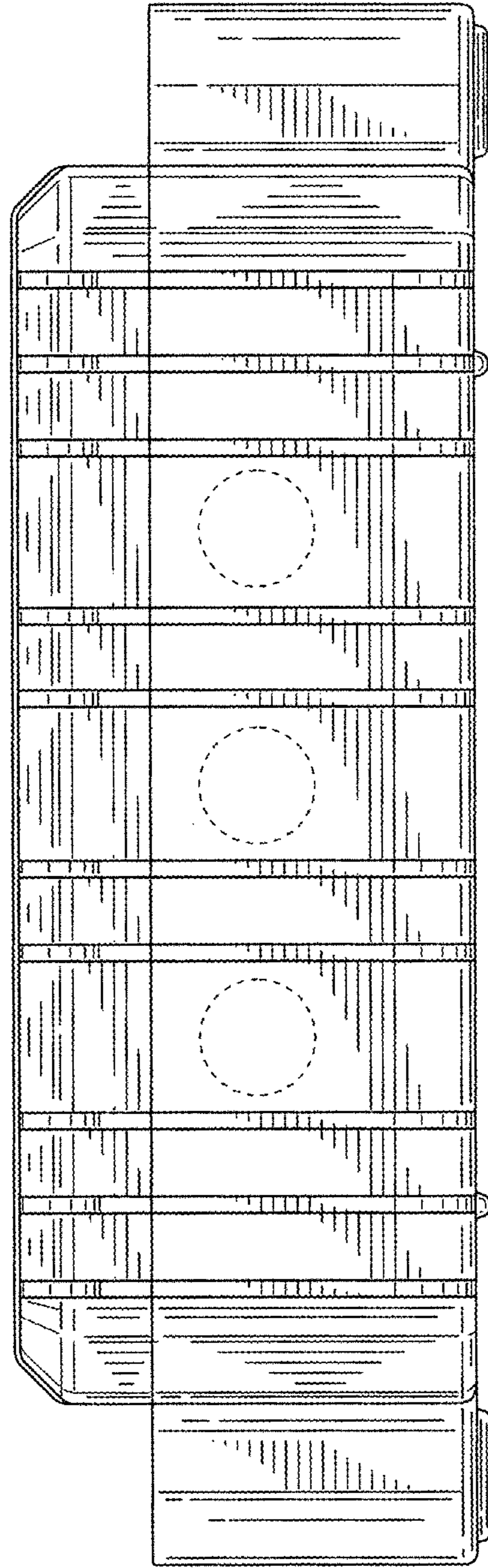


FIG. 5

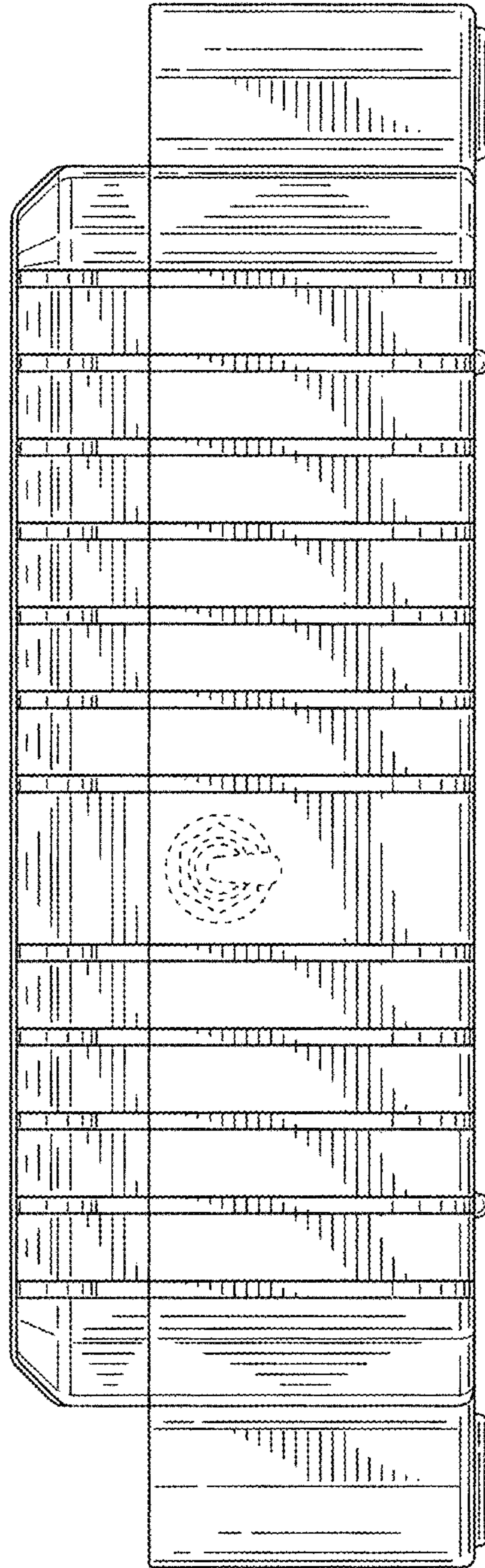


FIG. 6



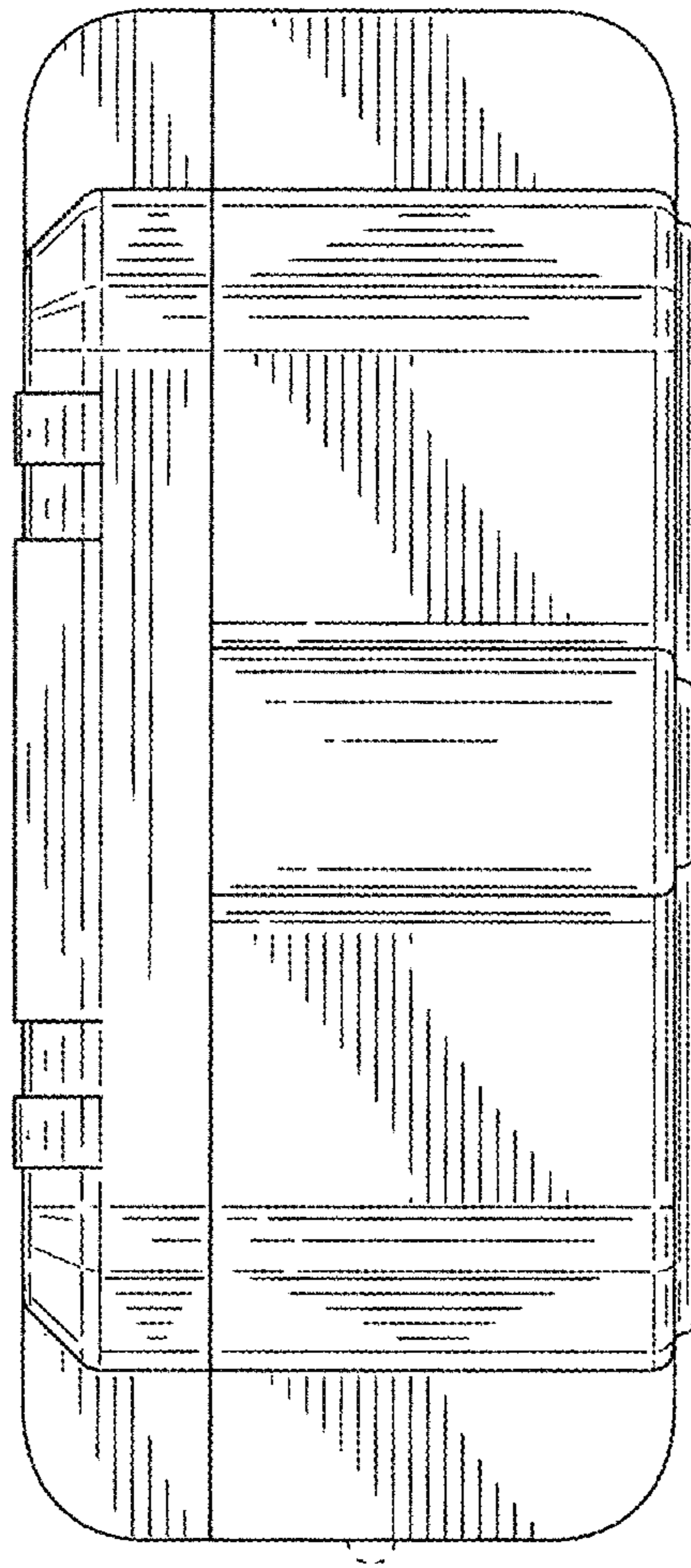


FIG. 7

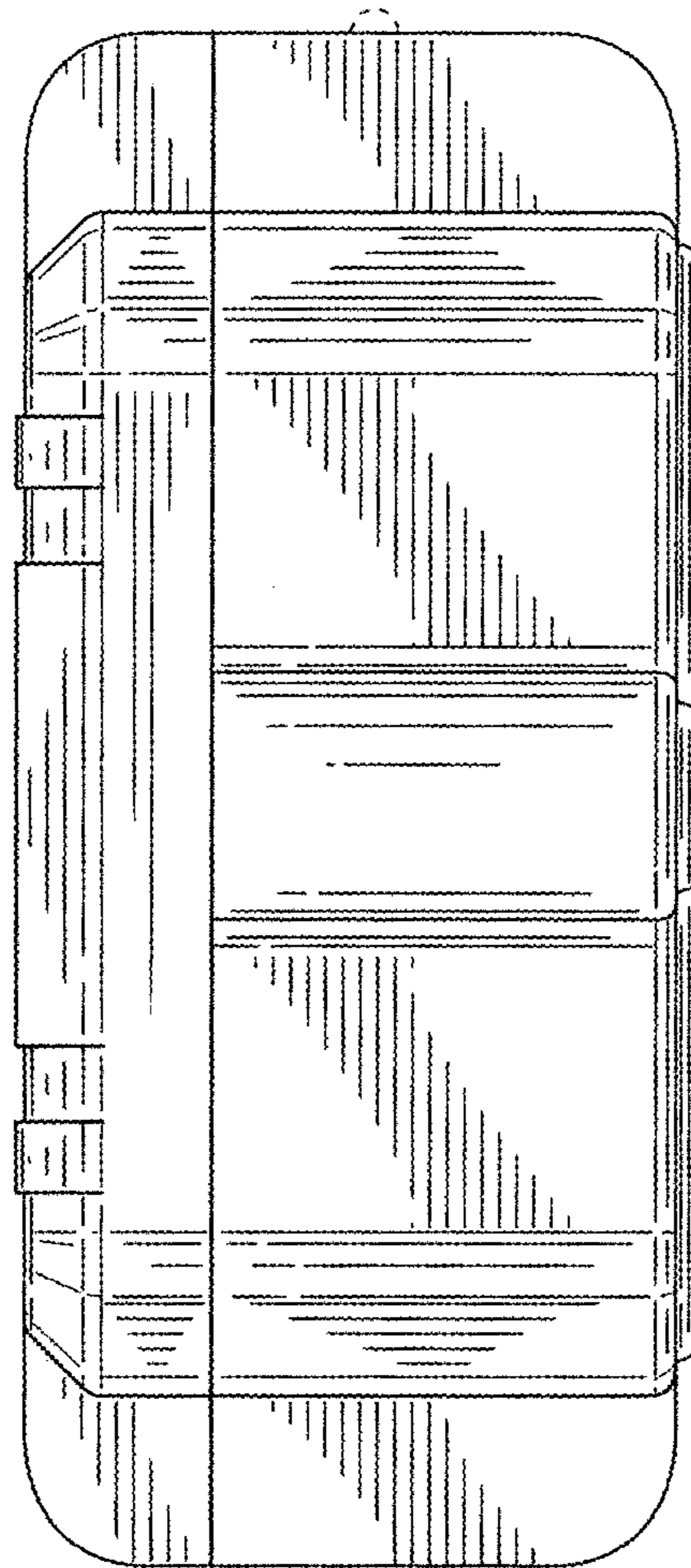


FIG. 8