



US00D927443S

(12) **United States Design Patent**  
**Du**

(10) **Patent No.:** **US D927,443 S**  
(45) **Date of Patent:** **\*\* Aug. 10, 2021**

(54) **BLUETOOTH FM TRANSMITTER**

(71) Applicant: **DONGGUAN PINMI ELECTRONIC TECHNOLOGY CO., LTD**, Dongguan (CN)

(72) Inventor: **Zhanyuan Du**, Kaifeng (CN)

(73) Assignee: **DONGGUAN PINMI ELECTRONIC TECHNOLOGY CO., LTD**, Dongguan (CN)

(\*\*) Term: **15 Years**

(21) Appl. No.: **29/729,504**

(22) Filed: **Mar. 27, 2020**

(51) **LOC (13) Cl.** ..... **14-03**

(52) **U.S. Cl.**  
USPC ..... **D14/155**

(58) **Field of Classification Search**  
USPC ..... D14/167, 154, 168, 188, 496, 156, 160, D14/161, 162, 163, 164, 165, 158, 341, D14/346, 342, 345, 137, 155, 218, 225; D16/208; D26/38; 455/351, 350; D10/104.1, 106, 65  
CPC .... H04B 1/385; H04M 1/6091; H04M 1/6066  
See application file for complete search history.

(56) **References Cited**

**U.S. PATENT DOCUMENTS**

D795,832 S \* 8/2017 Du ..... D14/155  
D800,685 S \* 10/2017 Xiao ..... D14/155

D805,496 S \* 12/2017 Yin ..... D14/155  
D808,919 S \* 1/2018 Yin ..... D14/155  
D820,803 S \* 6/2018 Hu ..... D14/155  
D836,593 S \* 12/2018 Hu ..... D14/155  
D840,937 S \* 2/2019 Wang ..... D13/144  
D864,144 S \* 10/2019 Du ..... D14/155  
D885,361 S \* 5/2020 Wang ..... D14/155  
D898,695 S \* 10/2020 Wang ..... D14/155  
D900,052 S \* 10/2020 Chen ..... D14/155  
D918,167 S \* 5/2021 Wang ..... D14/155

\* cited by examiner

*Primary Examiner* — Austin Murphy

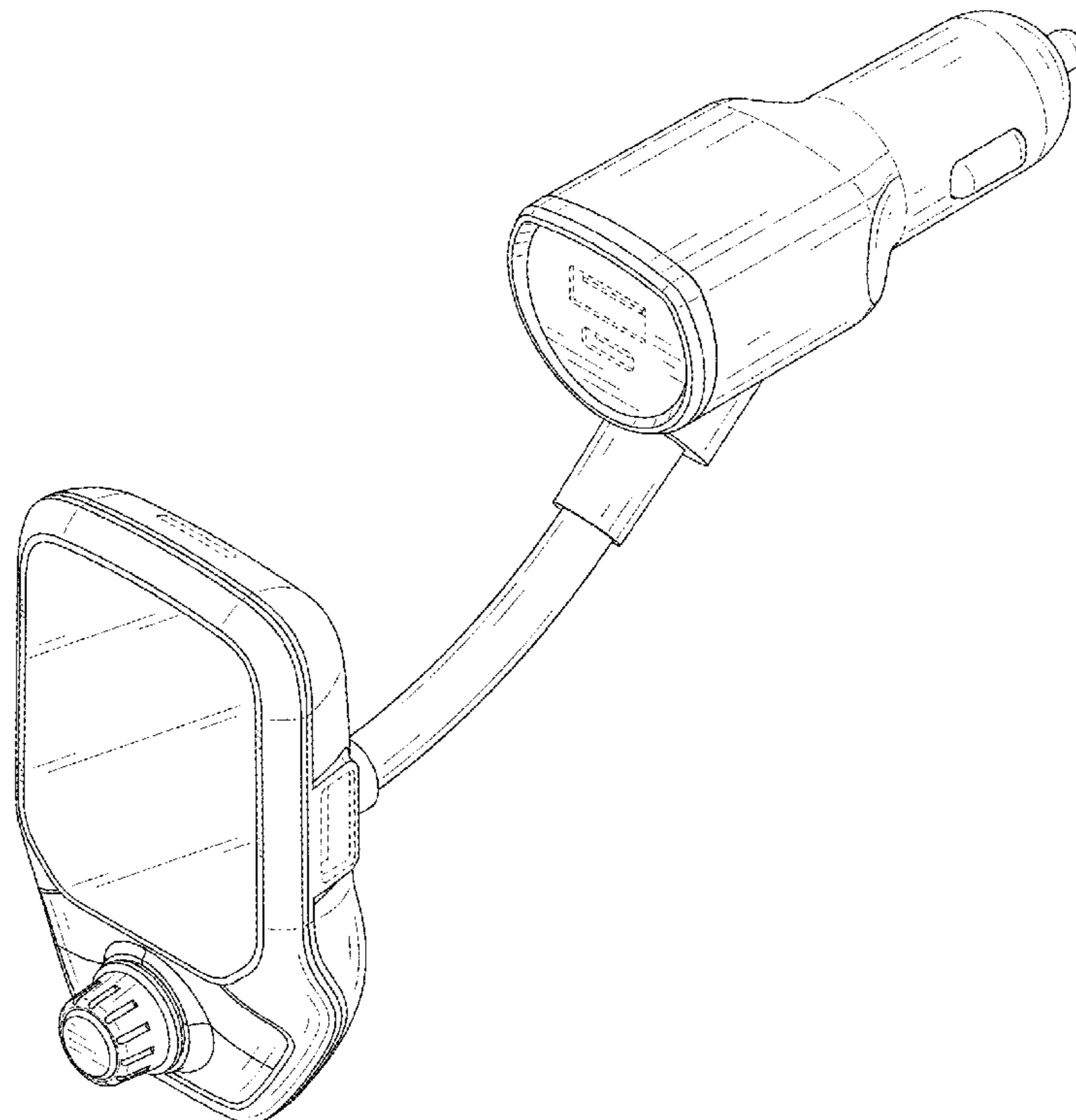
(57) **CLAIM**

The ornamental design for a bluetooth FM transmitter, as shown and described.

**DESCRIPTION**

FIG. 1 is a perspective view of a bluetooth FM transmitter showing my new design;  
FIG. 2 is another perspective view thereof;  
FIG. 3 is a front elevational view thereof;  
FIG. 4 is a rear elevational view thereof;  
FIG. 5 is a left side elevational view thereof;  
FIG. 6 is a right side elevational view thereof;  
FIG. 7 is a top plan view thereof; and,  
FIG. 8 is a bottom plan view thereof.  
The broken lines in the drawings depict boundaries of the bluetooth FM transmitter that form no part of the claimed design.

**1 Claim, 8 Drawing Sheets**



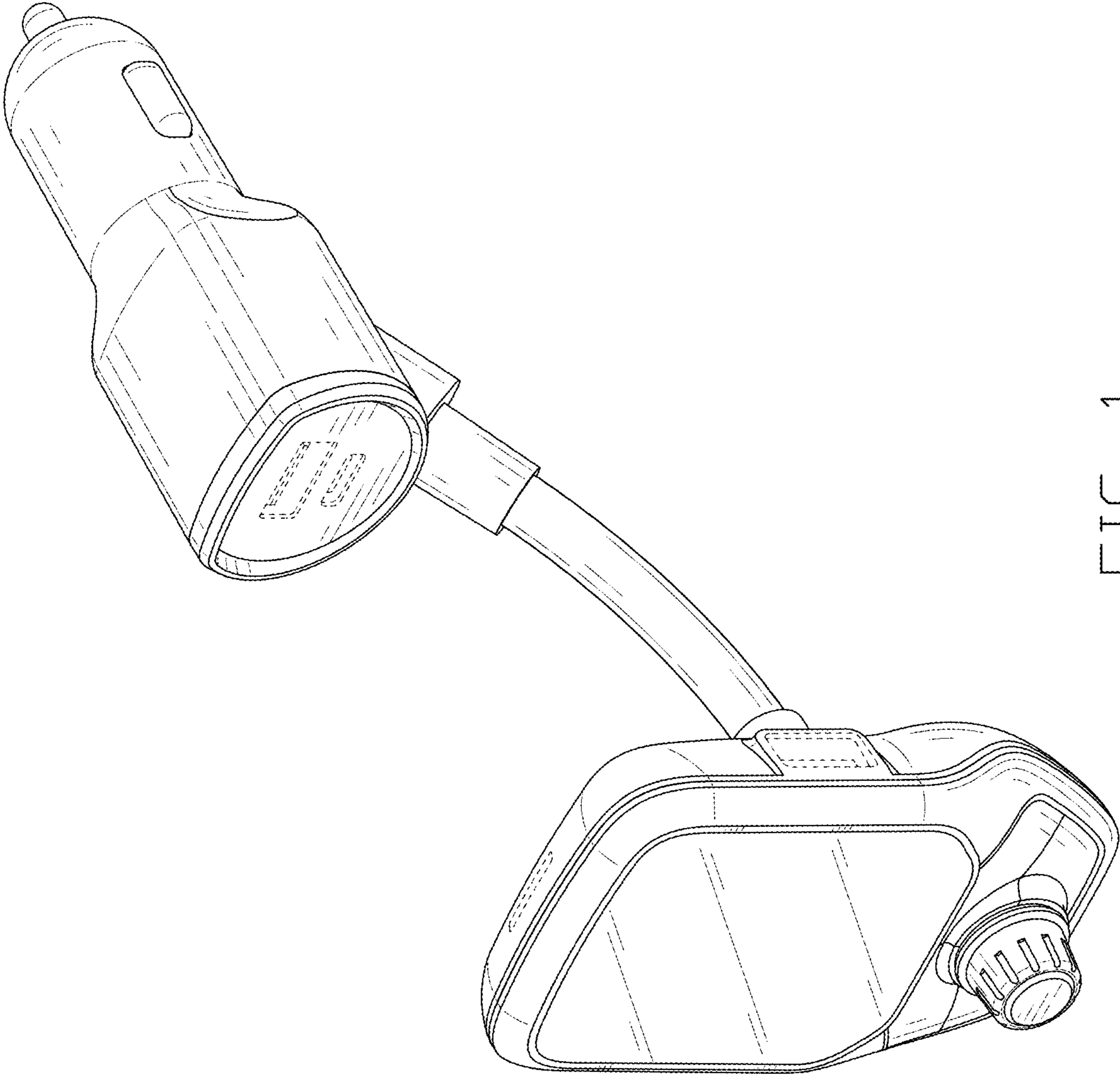


FIG. 1

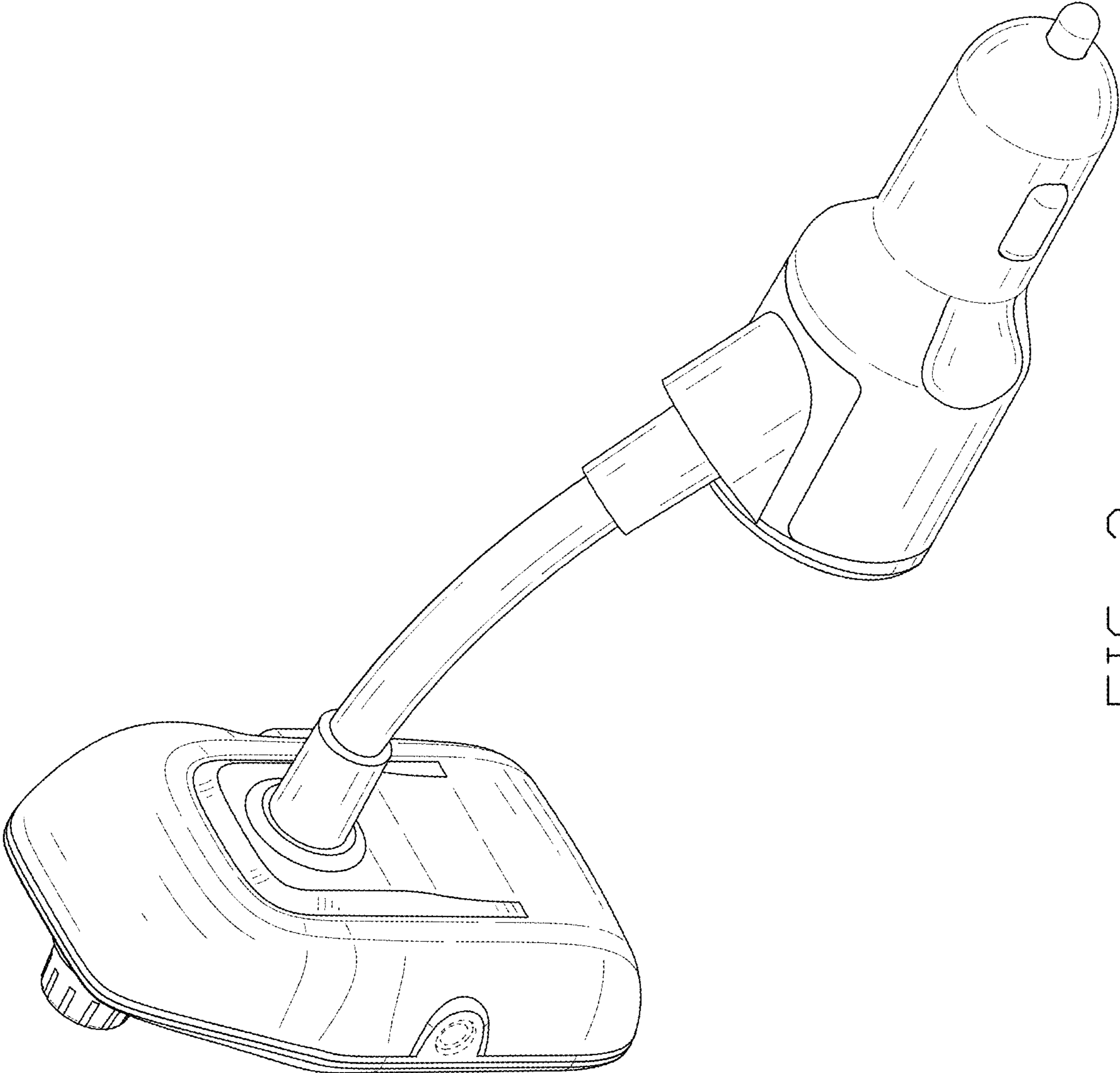


FIG. 2

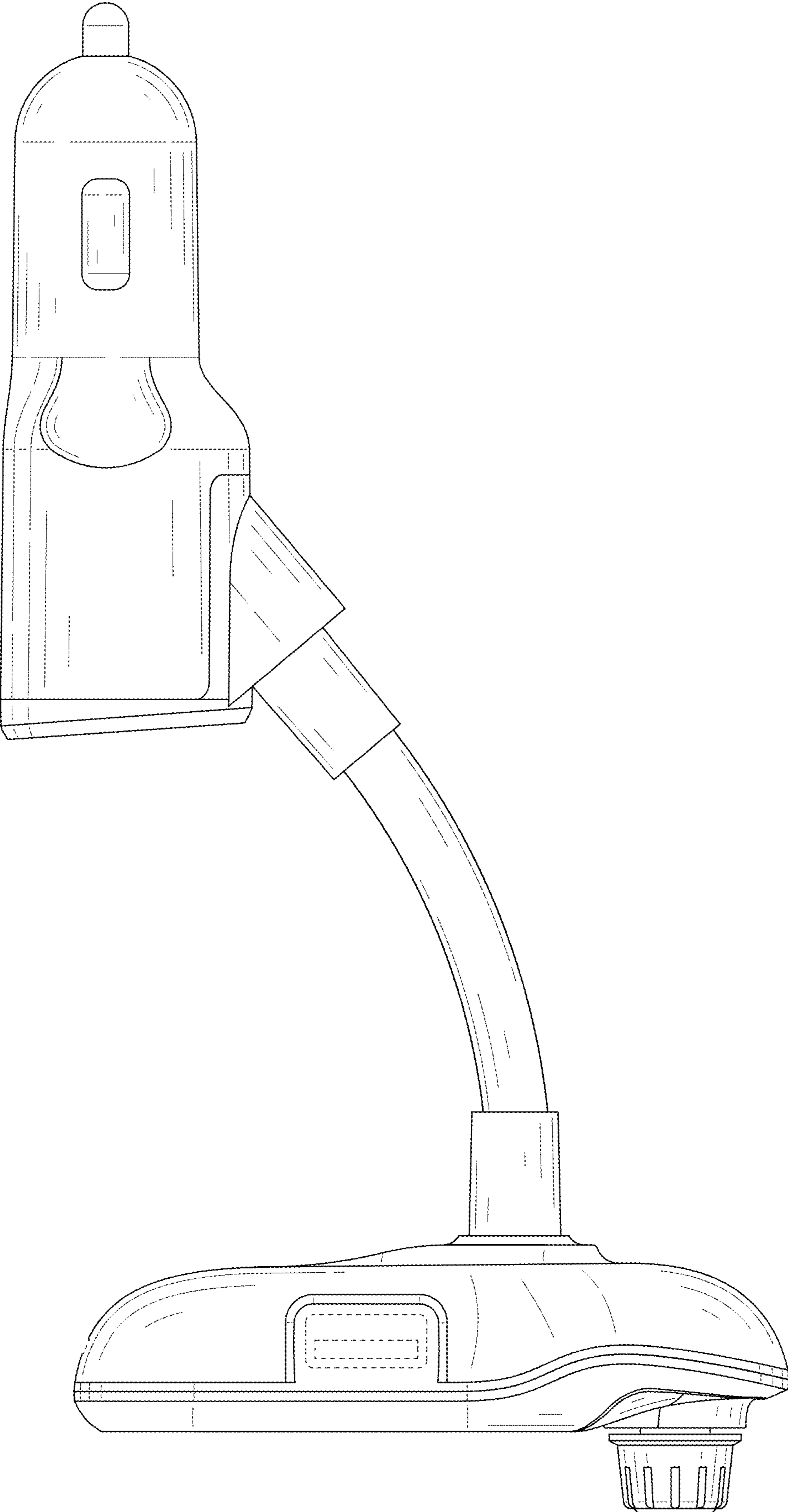


FIG. 3

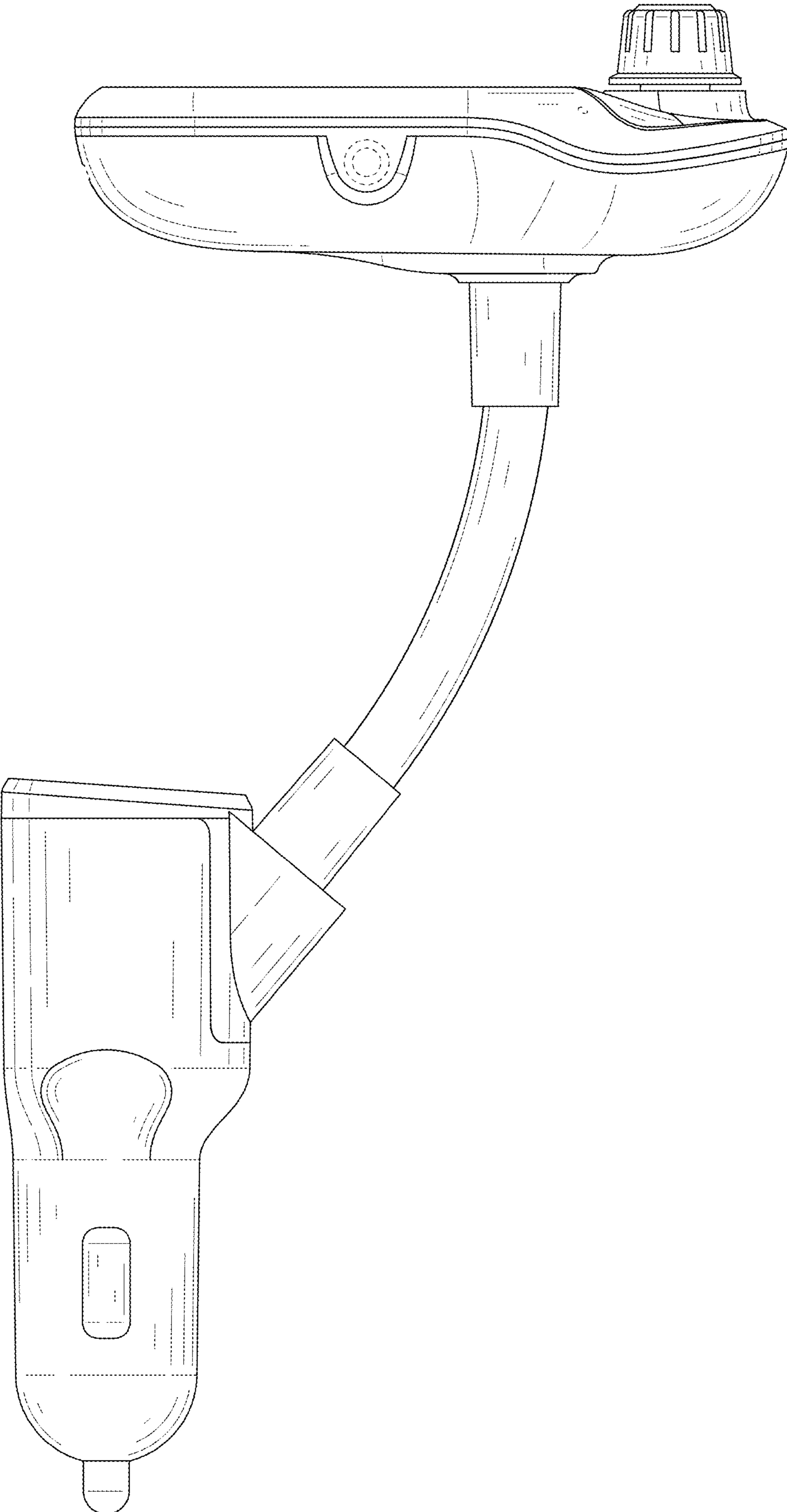


FIG. 4

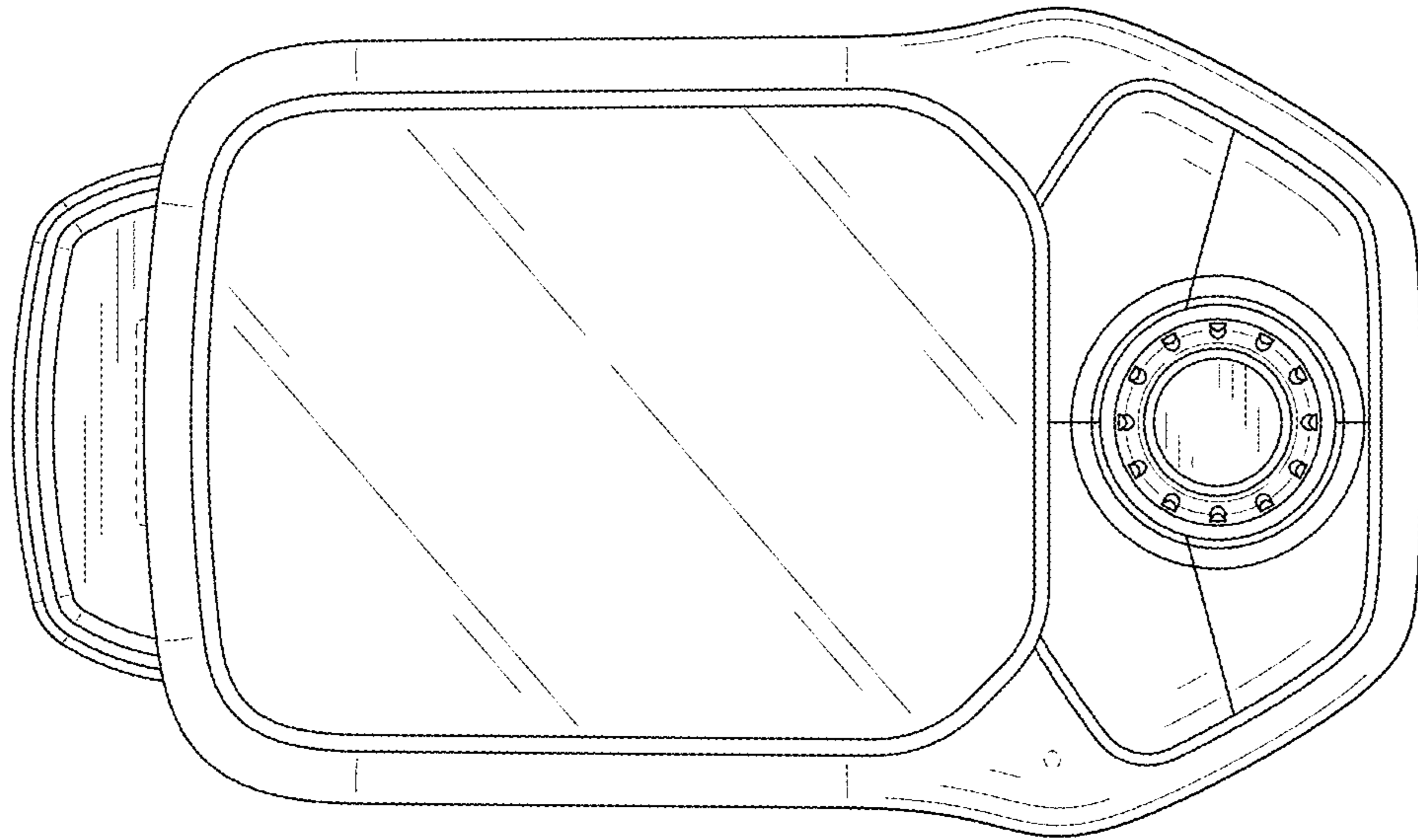


FIG. 5

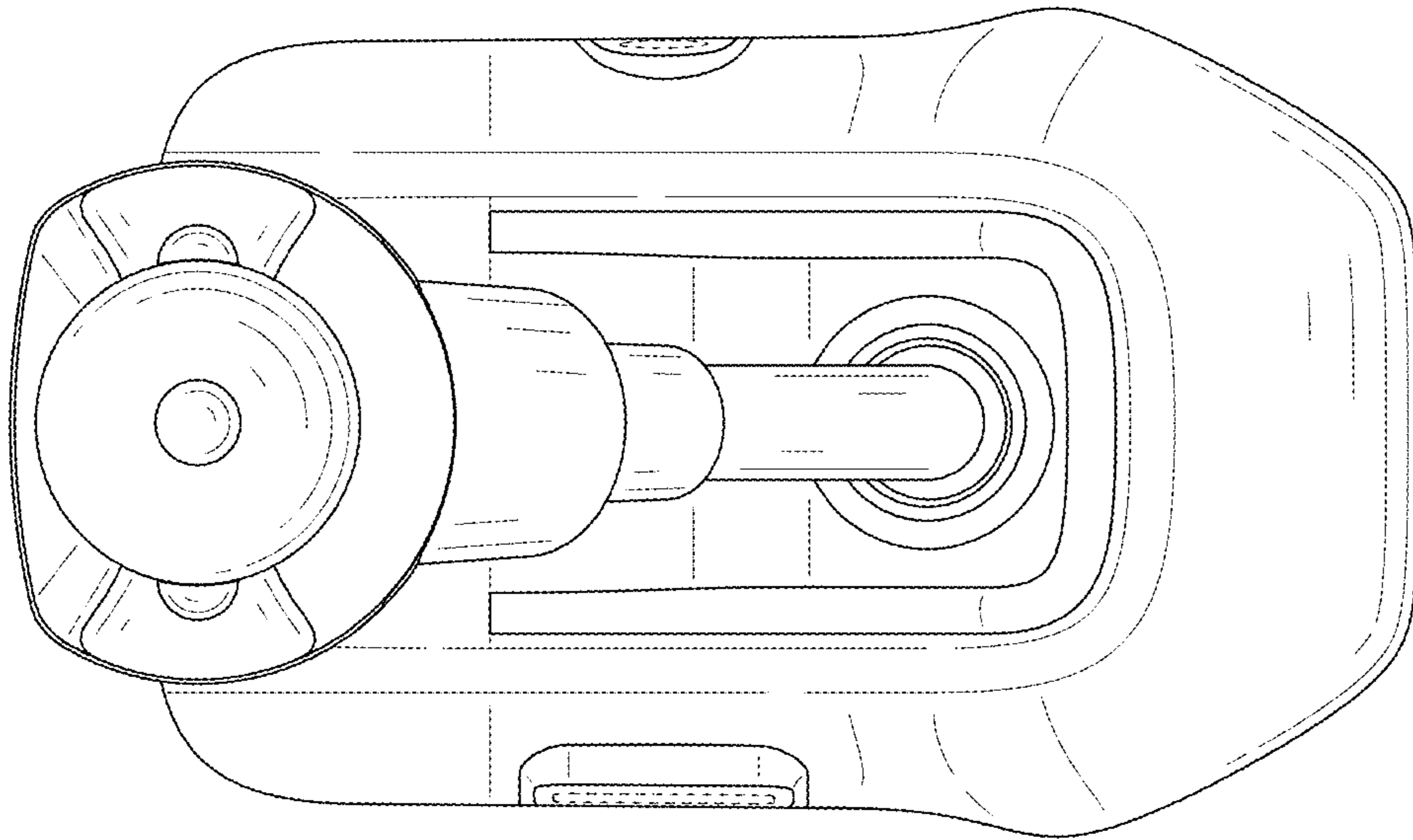


FIG. 6

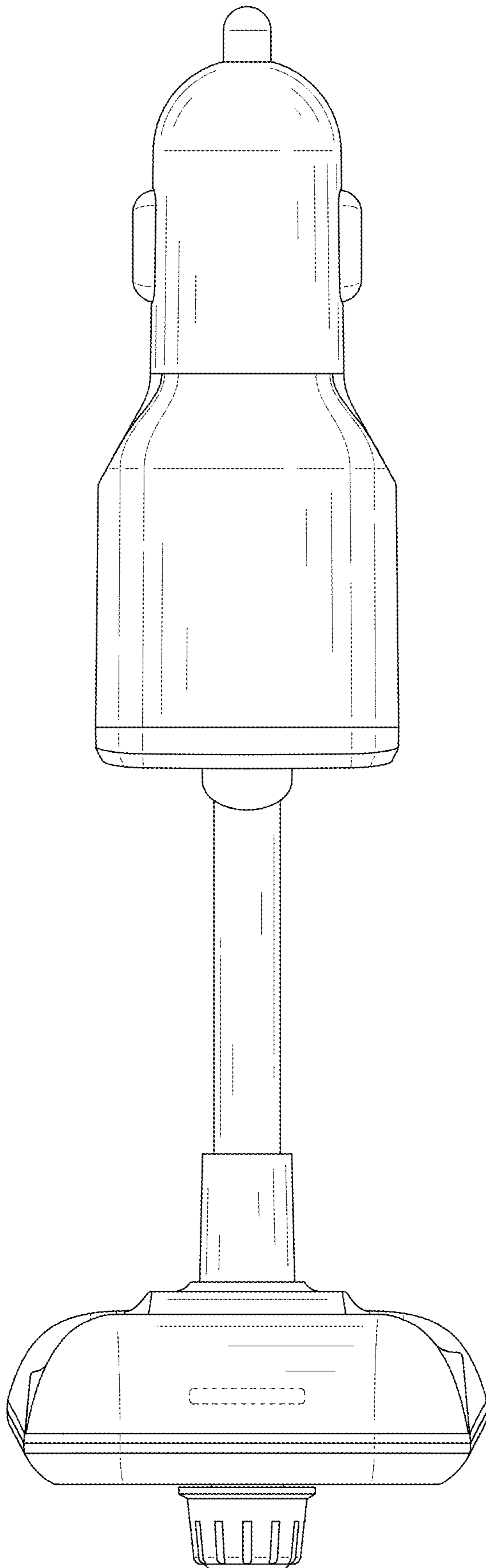


FIG. 7



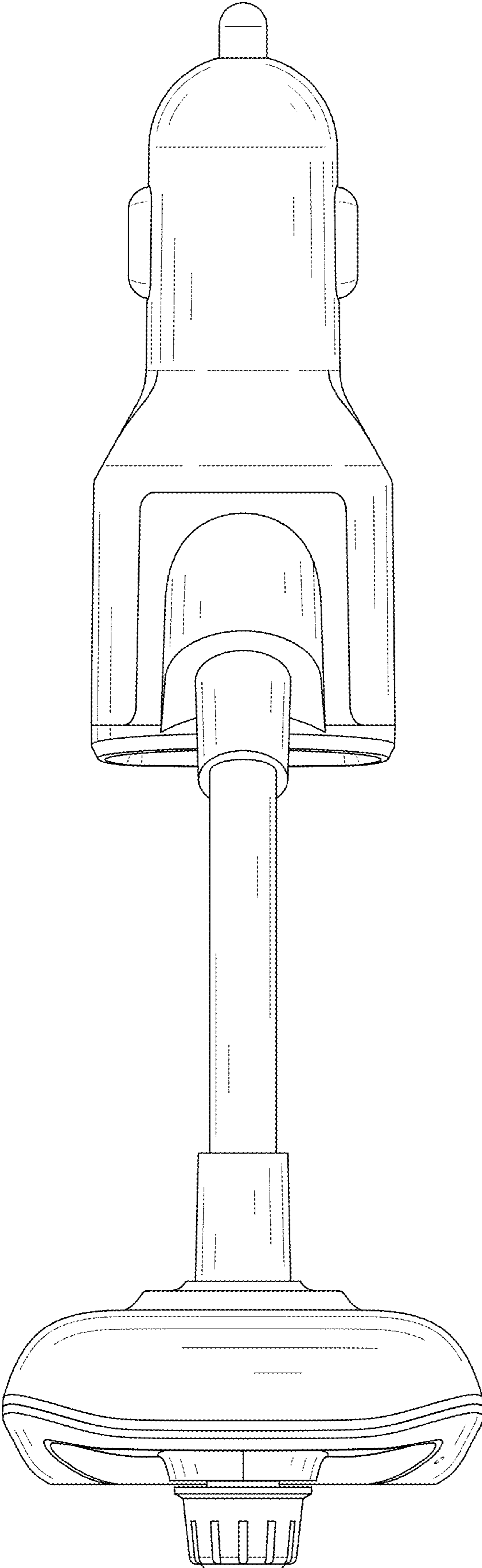


FIG. 8