

US00D927441S

(12) **United States Design Patent**
Bailey et al.

(10) **Patent No.:** **US D927,441 S**

(45) **Date of Patent:** **** Aug. 10, 2021**

(54) **VIDEOCONFERENCE DEVICE**

(71) Applicant: **Plantronics, Inc.**, Santa Cruz, CA (US)

(72) Inventors: **Chase Patrick Bailey**, Santa Cruz, CA (US); **Bowman Wang**, Corralitos, CA (US); **Nicholas W. Paterson**, Aptos, CA (US); **John A. Kelley**, Santa Cruz, CA (US); **David Kim**, Santa Cruz, CA (US); **Jeremy Jacob D'Ambrosio**, Scotts Valley, CA (US)

(73) Assignee: **Plantronics, Inc.**, Santa Cruz, CA (US)

(**) Term: **15 Years**

(21) Appl. No.: **29/709,231**

(22) Filed: **Oct. 11, 2019**

(51) **LOC (13) Cl.** **14-03**

(52) **U.S. Cl.**
USPC **D14/130; D16/208**

(58) **Field of Classification Search**
USPC D14/496, 125, 128, 129, 130, 140, 142,
D14/149, 159, 168, 204, 214, 225, 226,
(Continued)

(56) **References Cited**

U.S. PATENT DOCUMENTS

D193,271 S * 7/1962 Noyes D14/225
D400,549 S 11/1998 Wakefield
(Continued)

OTHER PUBLICATIONS

Videoconferencing units. EU 005125515-0002. (Design—© Questel) orbit.com. [online PDF] 5 pgs. Print Date May 17, 2018 [Retrieved Jan. 8, 2021] <https://www.orbit.com/export/QPTUJ214/pdf2/b76c2456-3d74-4b12-8bbb-739f310a7523-185625.pdf>.*

Primary Examiner — Marie D. Fast Horse

(74) *Attorney, Agent, or Firm* — Blank Rome LLP

(57) **CLAIM**

The ornamental design for a videoconference device, as shown and described.

DESCRIPTION

This application is filed concurrently with the U.S. Design application Ser. No. 29/709,230 and entitled “Videoconference Device” by Bowman Wang et al., which is incorporated herein by reference in its entirety.

FIG. 1 is a perspective view of a videoconference device, showing a first embodiment of our new design;

FIG. 2 is a front elevational view thereof;

FIG. 3 is a rear elevational view thereof;

FIG. 4 is a top plan view thereof;

FIG. 5 is a bottom plan view thereof;

FIG. 6 is a right side elevational view thereof;

FIG. 7 is a left side elevational view thereof;

FIG. 8 is another front elevational view thereof, shown mounted on an environmental stand and in a state of use with illumination along the upper edge visor;

FIG. 9 is another right side elevational view thereof, shown mounted on an environmental stand and in a state of use with illumination along the upper edge visor;

FIG. 10 is another front elevational view thereof, optionally mounted above a screen;

FIG. 11 is yet another front elevational view thereof, optionally mounted below a screen;

FIG. 12 is a perspective view of a videoconference device, showing a second embodiment of our new design;

FIG. 13 is a front elevational view thereof;

FIG. 14 is a rear elevational view thereof;

FIG. 15 is a top plan view thereof;

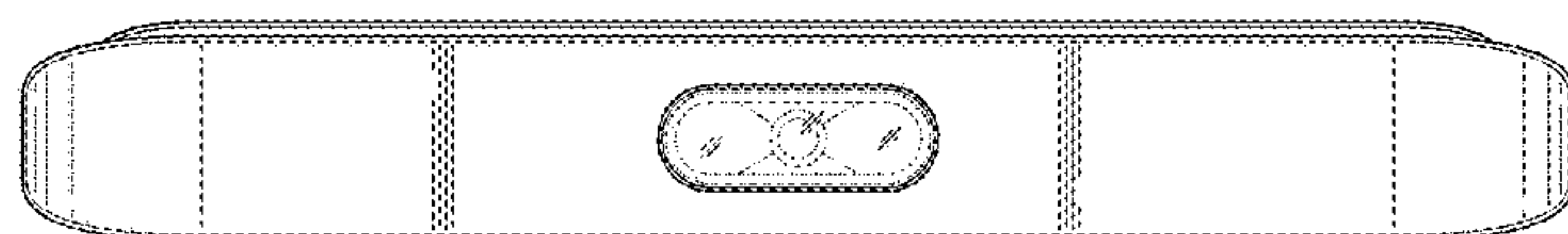
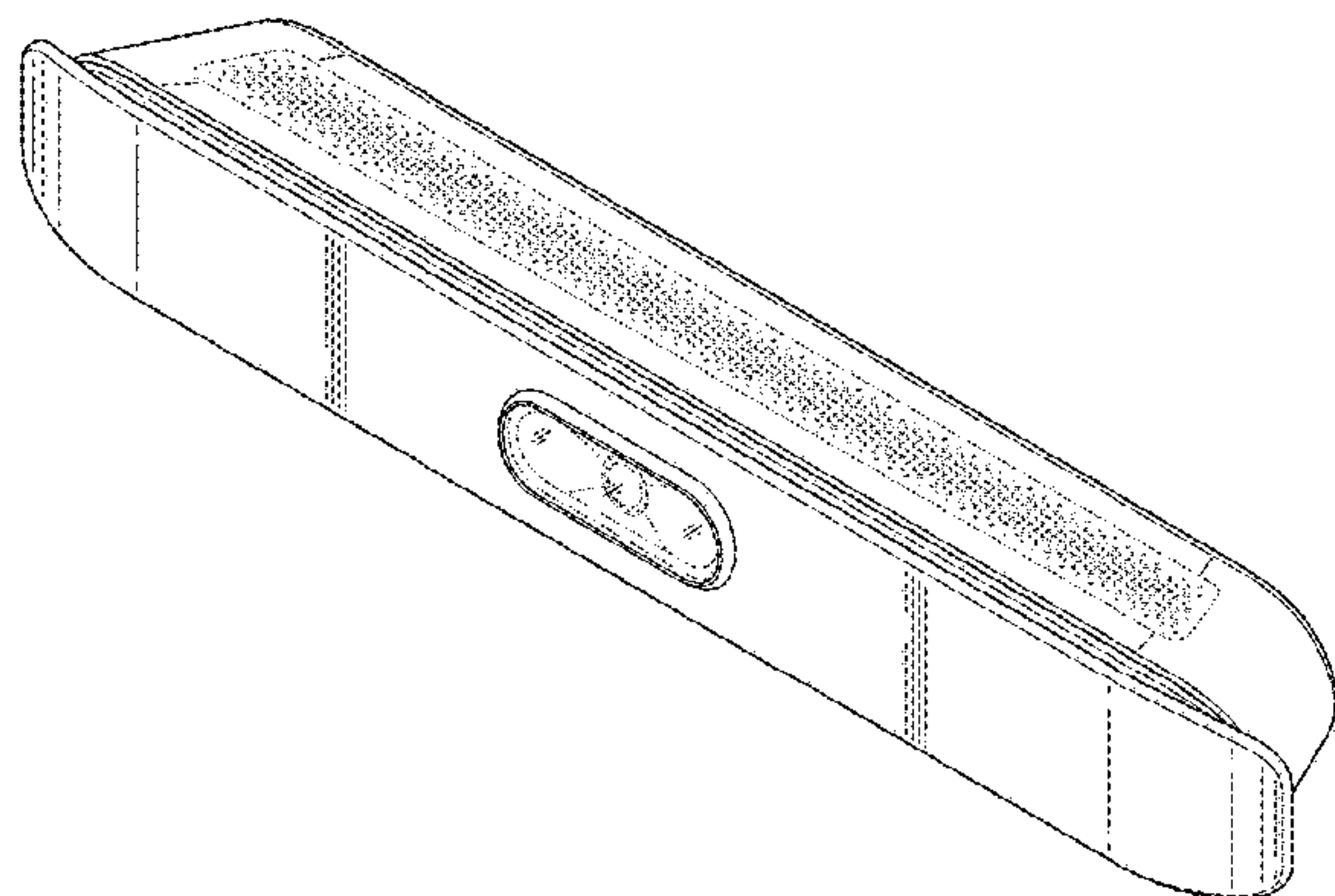
FIG. 16 is a bottom plan view thereof;

FIG. 17 is a right side elevational view thereof; and,

FIG. 18 is a left side elevational view thereof.

The long dashed broken lines seen in FIGS. 8, 9, 10, and 11 showing the stand and screen depict environmental subject matter only and form no part of the claim, while all other short dashed broken lines depict portions of the videoconference device that form no part of the claimed design.

(Continued)



The oblique lines inside the bezel of FIGS. 1-2, 8, 10-11, and 12-13 depict a transparent covering of the camera lens.

The short lines emanating from the upper edge visor seen in FIGS. 8 and 9 depict an illuminated state of use that applies to both embodiments of the claimed design.

The portions shown in a pattern of stipple in FIGS. 12-18 depict areas of contrasting appearance.

1 Claim, 10 Drawing Sheets

(58) **Field of Classification Search**

USPC D14/240, 242, 299; D16/200, 202, 203,
D16/208, 218, 219, 221, 230, 232, 235,
D16/237; D10/104.1, 106.6
CPC H04N 7/141; H04N 7/142; H04N 7/147;
H04N 7/148; H04N 7/15; H04N 7/152;
H04N 5/23248

See application file for complete search history.

(56) **References Cited**

U.S. PATENT DOCUMENTS

D441,000	S	4/2001	Vanderwilt et al.	
D470,873	S	2/2003	Hovanky et al.	
D471,219	S	3/2003	Hovanky et al.	
D471,573	S	3/2003	Hovanky et al.	
D535,676	S *	1/2007	Dayan	D16/208
D615,888	S *	5/2010	Ikeda	D10/70
D616,403	S *	5/2010	Roed	D14/127
D619,485	S *	7/2010	Ikeda	D10/106.7
D654,942	S *	2/2012	Khamsepoor	D16/202
D655,690	S *	3/2012	Yagi	D14/214
D664,579	S *	7/2012	Tzeng	D16/202
D665,439	S *	8/2012	Khamsepoor	D16/202
D665,441	S *	8/2012	McManigal	D16/218
D666,163	S *	8/2012	Hsu	D14/125
D669,111	S *	10/2012	Ravi	D16/218

D669,883	S *	10/2012	Cheng	D14/214
D669,884	S *	10/2012	Hou	D14/214
D671,909	S *	12/2012	Choi	D14/188
D674,430	S *	1/2013	Inoue	D16/218
D675,660	S *	2/2013	Su	D16/202
D676,829	S *	2/2013	Kaneko	D14/209.1
D680,569	S *	4/2013	Lee	D16/202
D682,332	S *	5/2013	Wang	D16/202
D685,015	S *	6/2013	Wang	D16/202
D687,082	S *	7/2013	Wang	D16/202
D692,858	S *	11/2013	Millora	D14/214
D703,194	S *	4/2014	Jacobs	D14/225
D709,481	S *	7/2014	Liu	D14/221
D715,769	S *	10/2014	McManigal	D14/214
D716,360	S *	10/2014	Schechter	D16/208
D734,804	S *	7/2015	Chung	D16/208
D735,150	S *	7/2015	Baldwin	D14/125
D750,601	S *	3/2016	Williams	D14/225
D750,681	S *	3/2016	Takami	D16/202
D759,621	S *	6/2016	Maxwell	D14/130
D759,630	S *	6/2016	Huang	D14/214
D788,725	S *	6/2017	Tompkin et al.	
D803,174	S *	11/2017	Coffey	D14/125
D803,805	S *	11/2017	Coffey	D14/130
D806,055	S *	12/2017	Fischer	D14/214
D826,213	S *	8/2018	Kim	D14/210
D827,596	S *	9/2018	Hou	D14/125
D836,581	S *	12/2018	Andresen	D14/126
D851,633	S *	6/2019	Nakano	D14/226
D852,774	S *	7/2019	Sugiura	D14/204
D853,356	S *	7/2019	Werle	D14/216
D861,640	S *	10/2019	Werle	D14/214
D861,642	S *	10/2019	Werle et al.	
D865,029	S *	10/2019	Fook	D16/218
D865,839	S *	11/2019	Hasegawa	D16/203
D896,195	S *	9/2020	Zhang	D14/130
D905,778	S *	12/2020	Lenz	D16/208
D906,278	S *	12/2020	Laine	D14/204
D908,156	S *	1/2021	Michaelian	D16/202
D909,446	S *	2/2021	Ross	D16/202
D912,717	S *	3/2021	Russo	D16/202

* cited by examiner

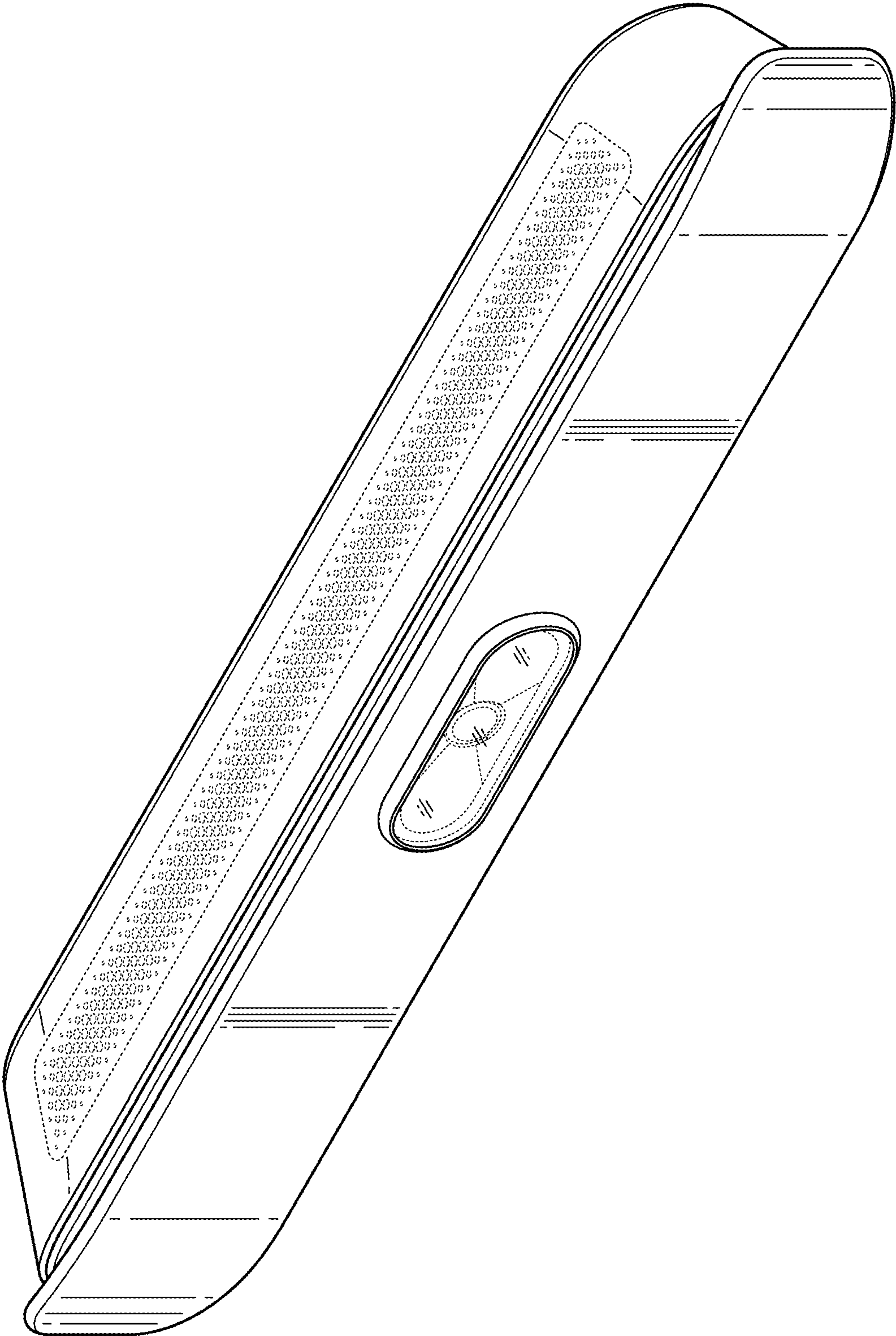


FIG. 1

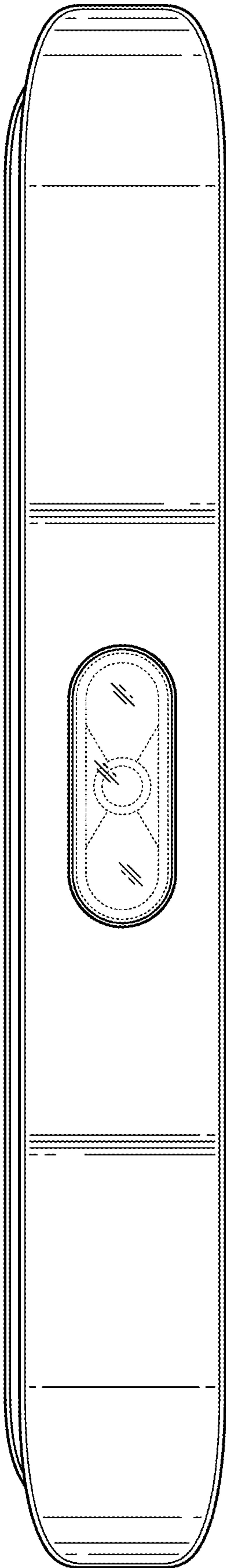


FIG. 2

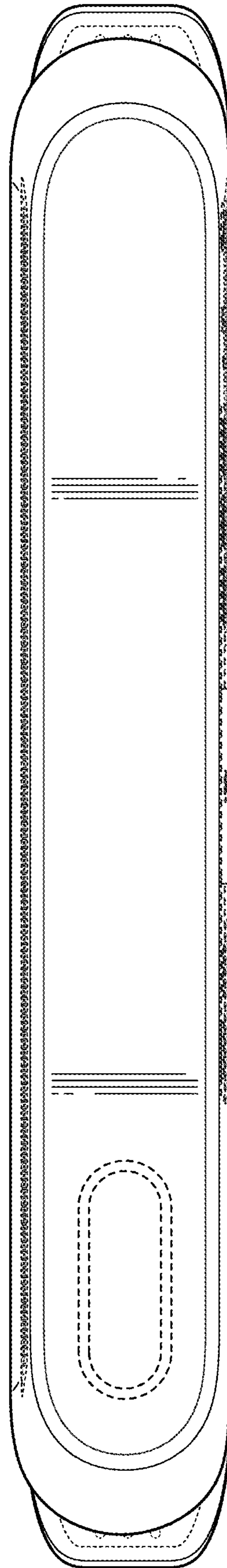


FIG. 3

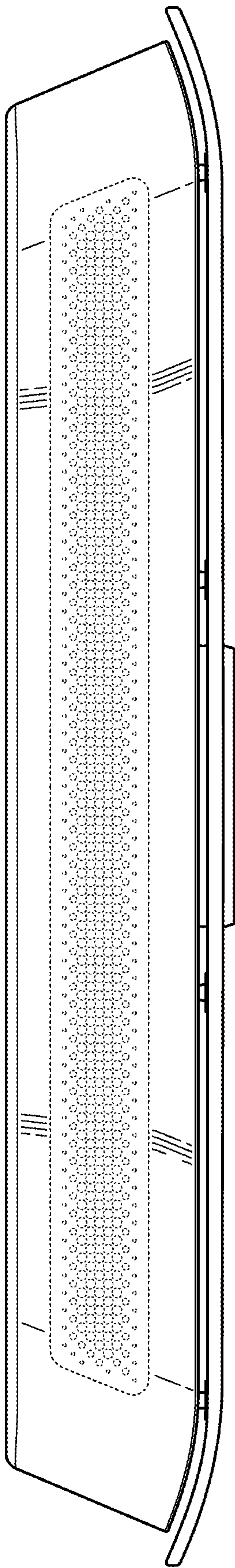


FIG. 4

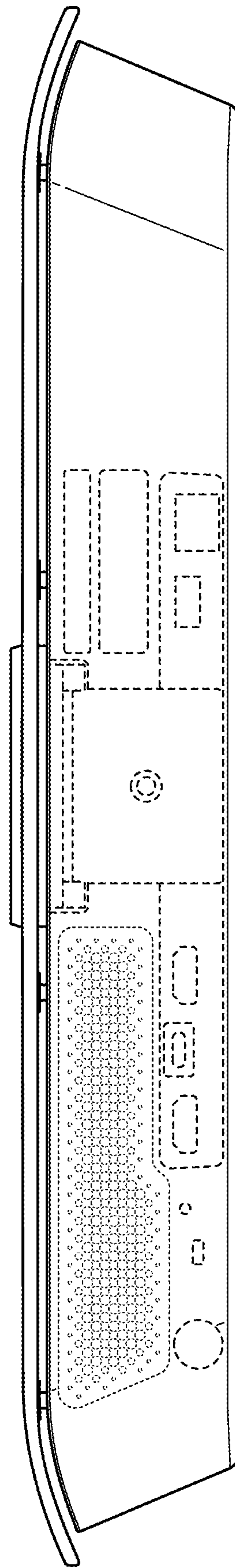


FIG. 5

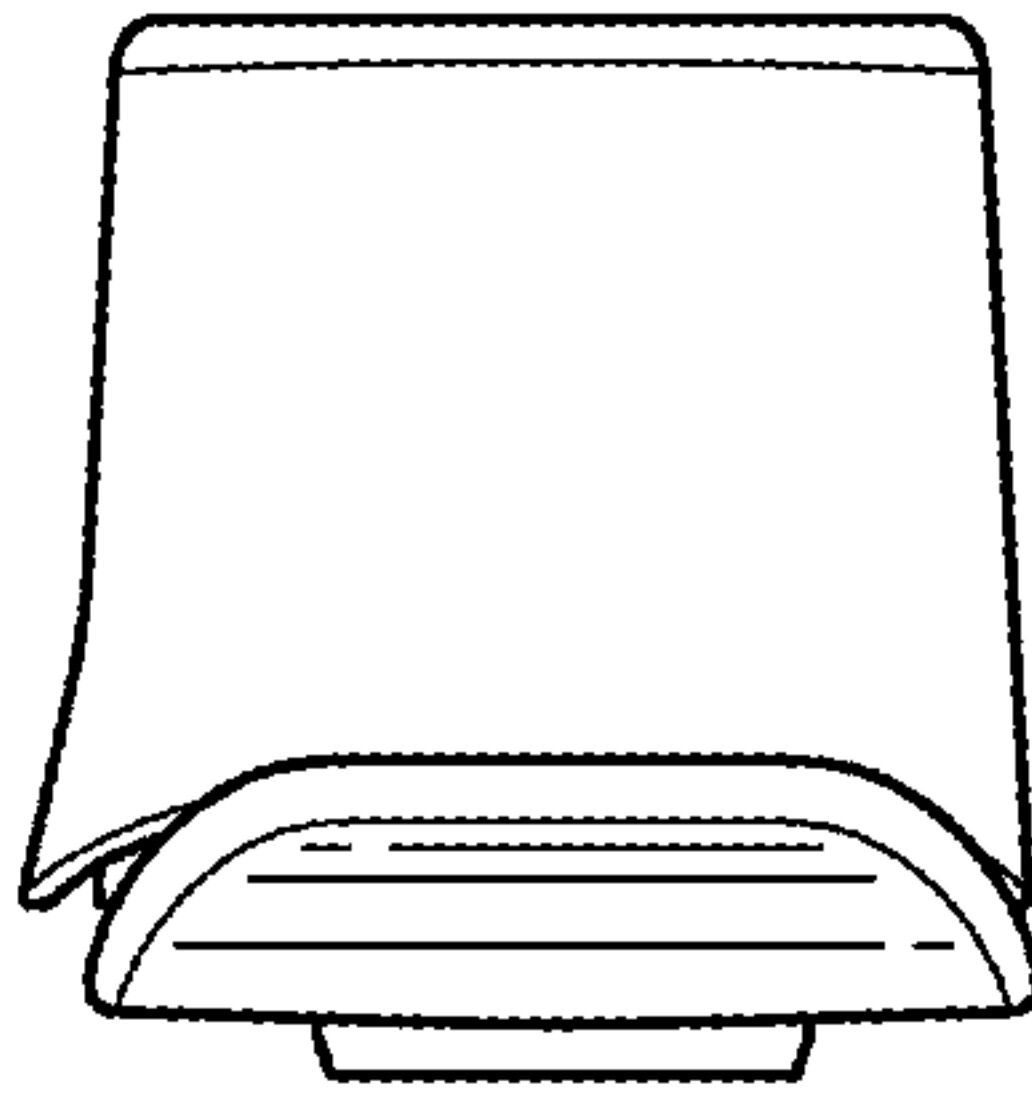


FIG. 7

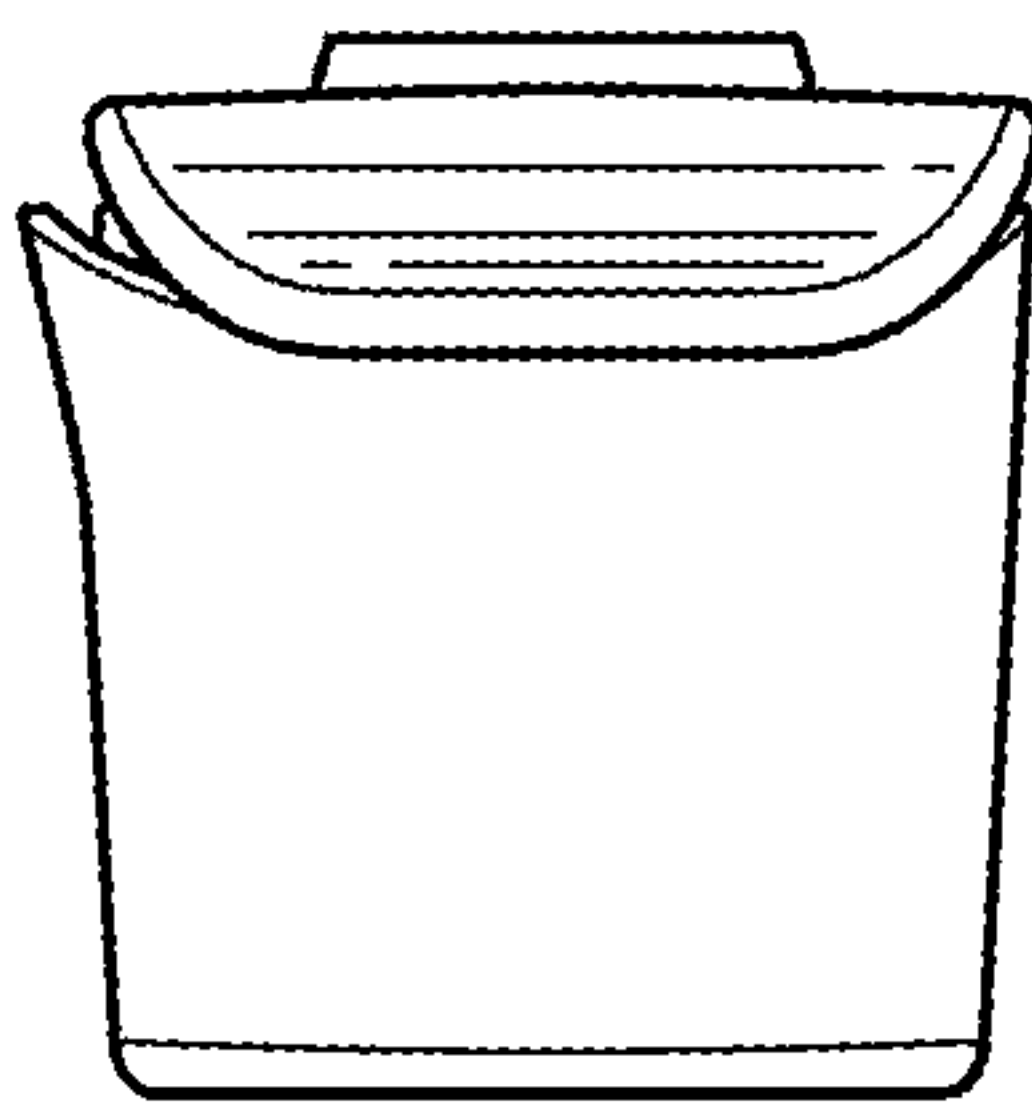


FIG. 6

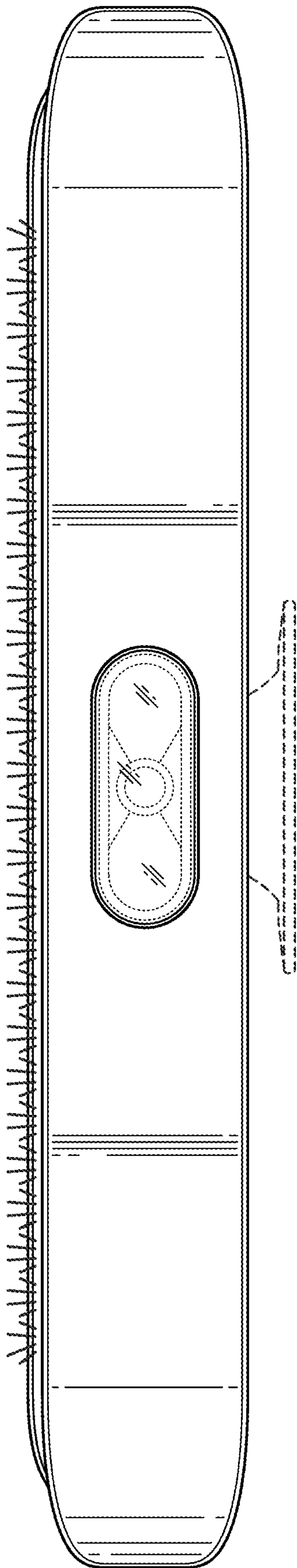


FIG. 8

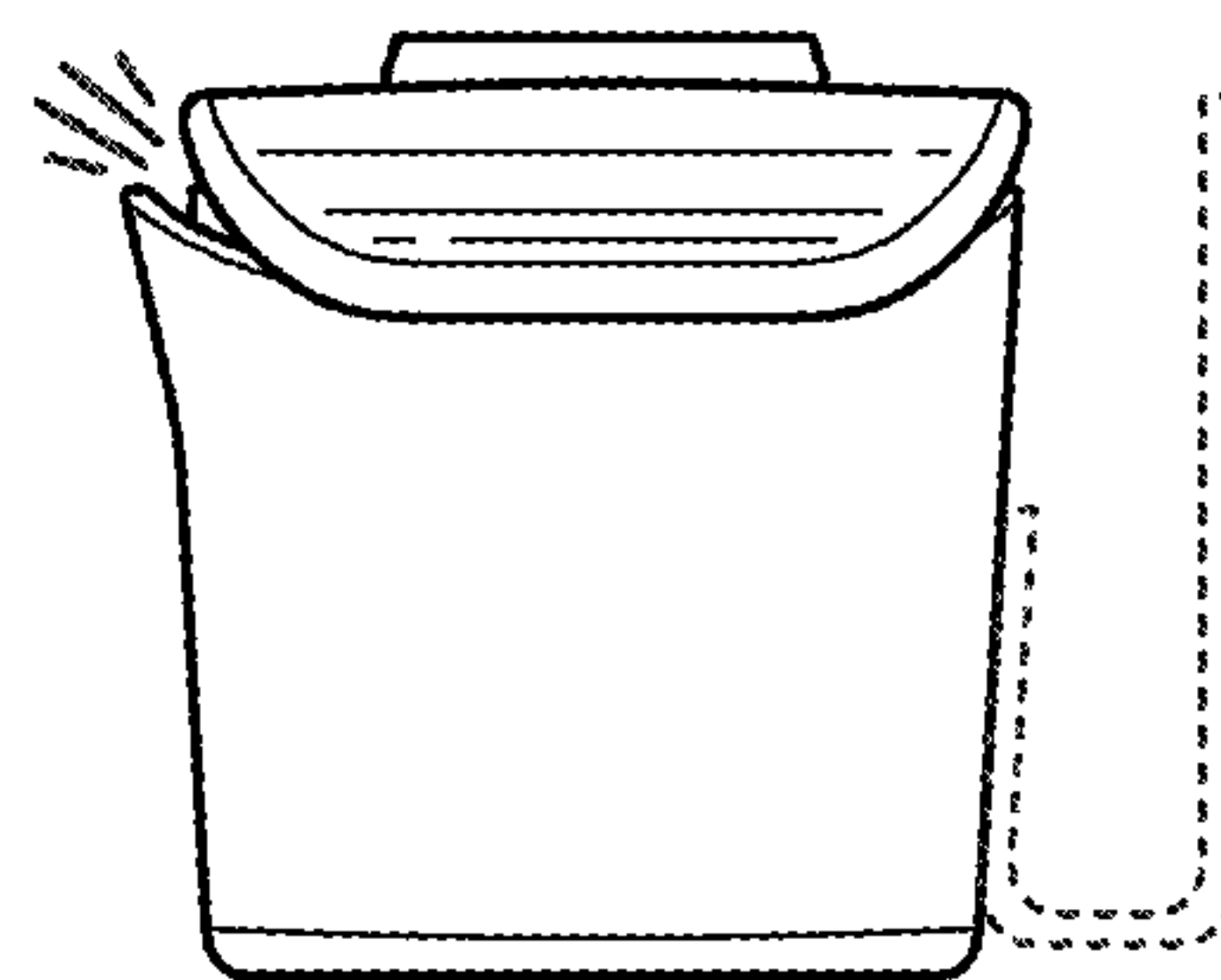


FIG. 9

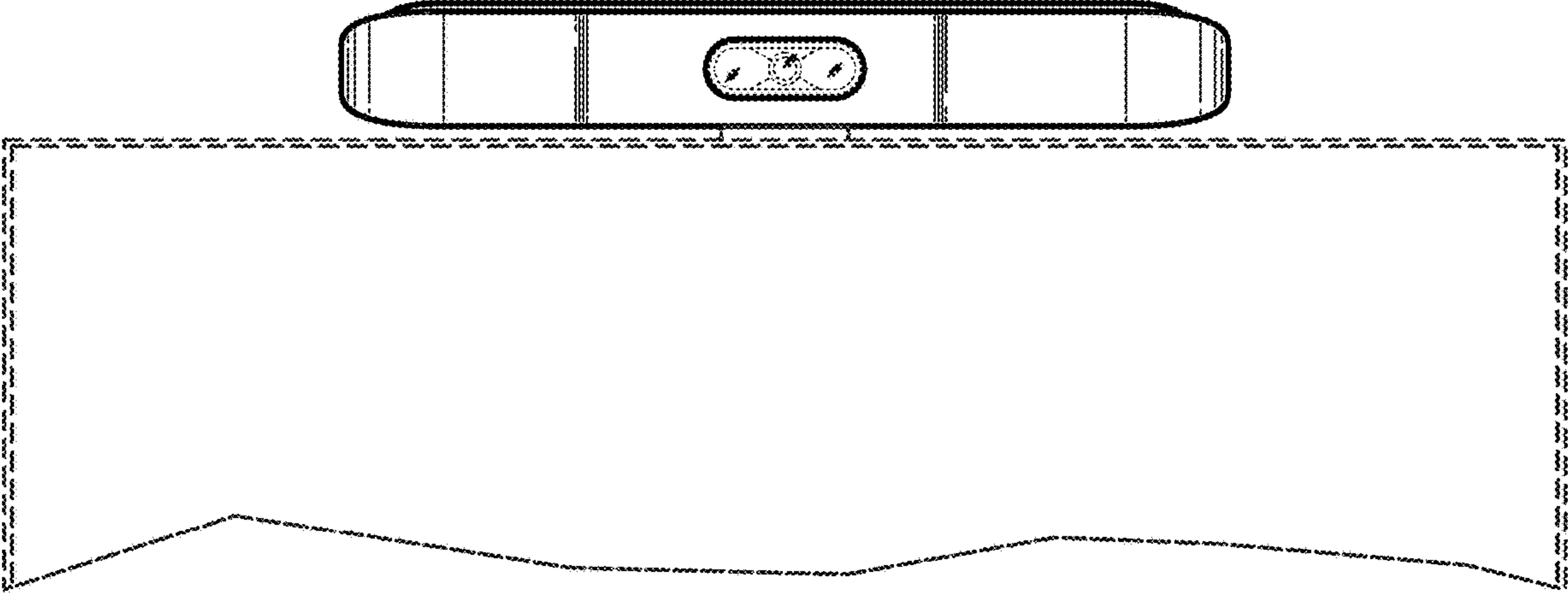


FIG. 10

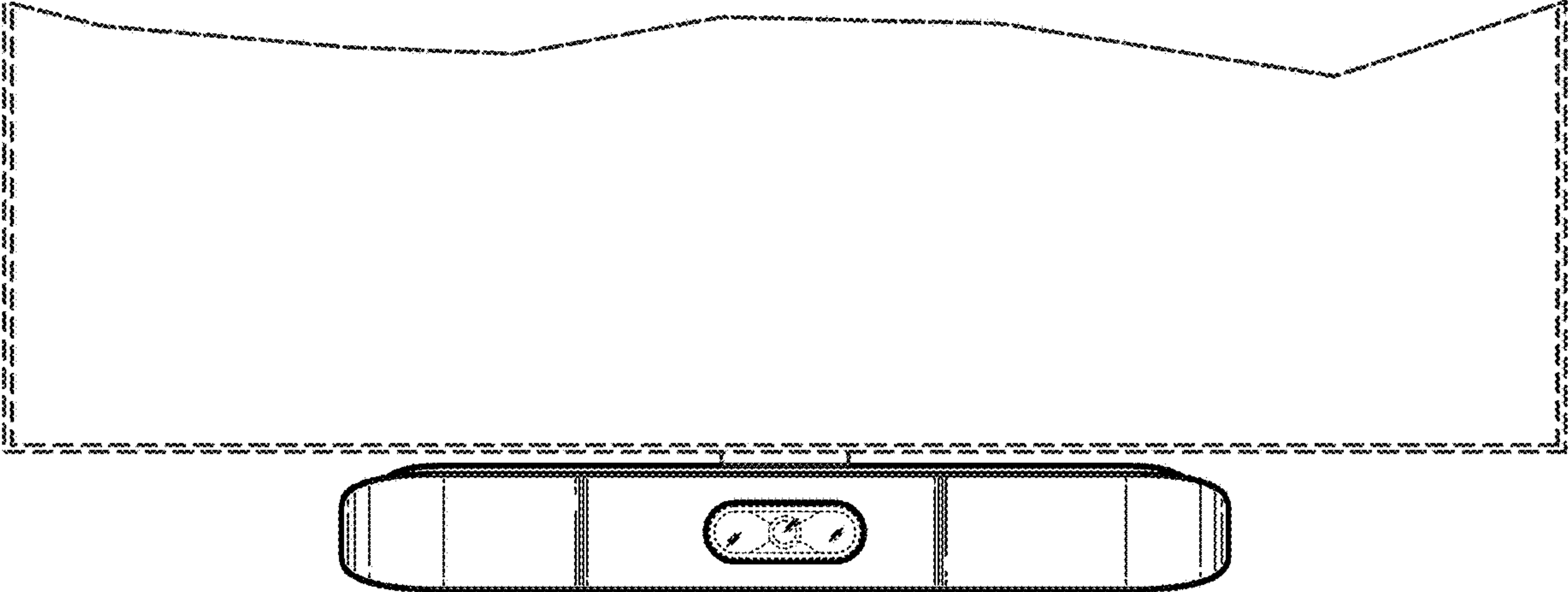


FIG. 11

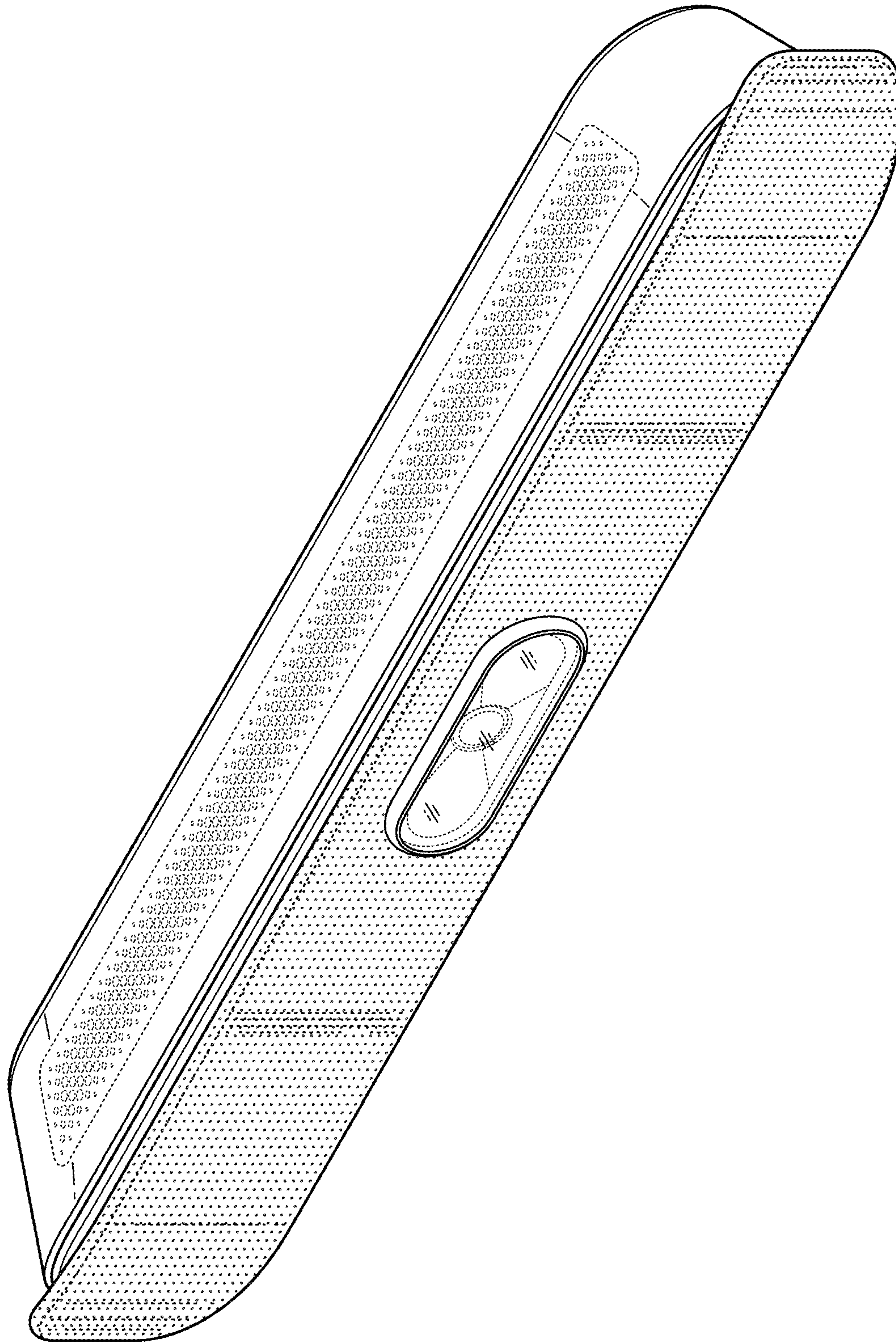


FIG. 12

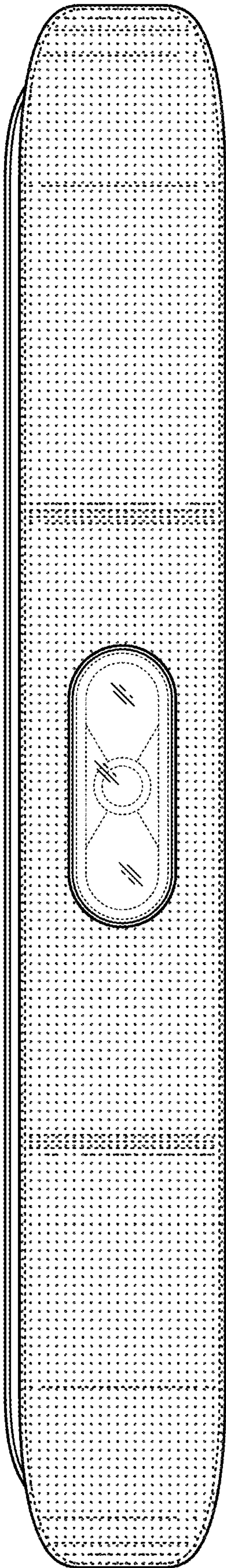


FIG. 13

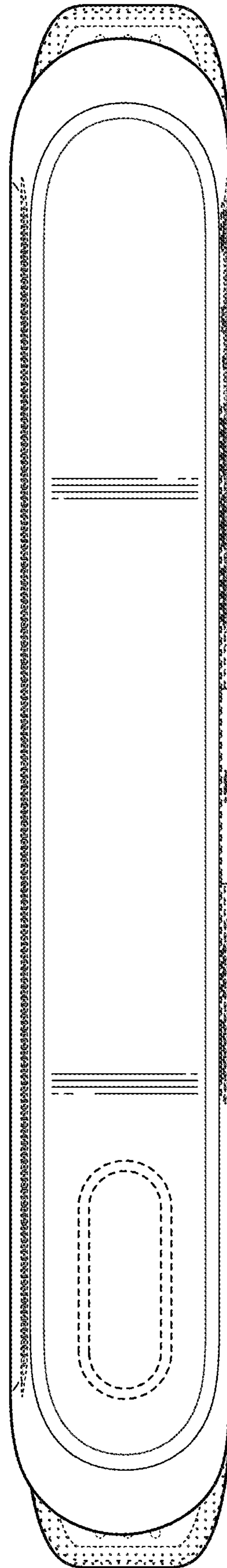


FIG. 14

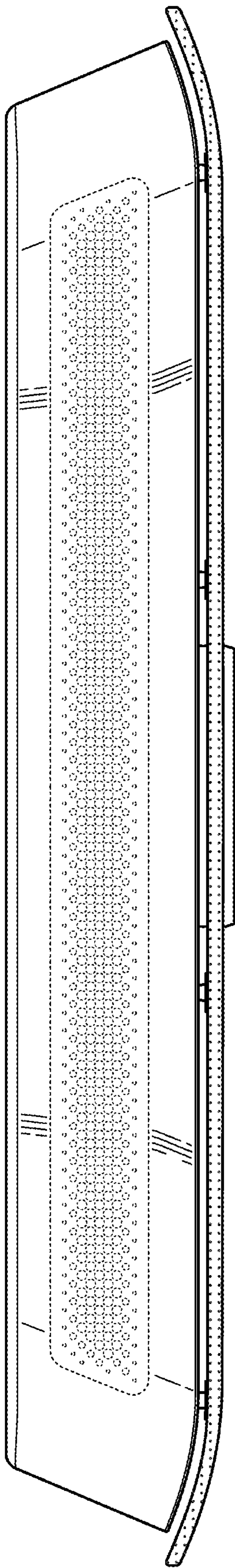


FIG. 15

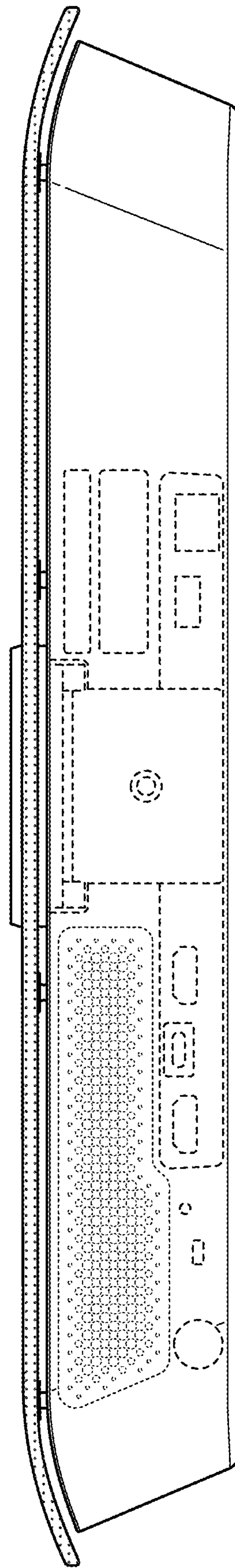


FIG. 16

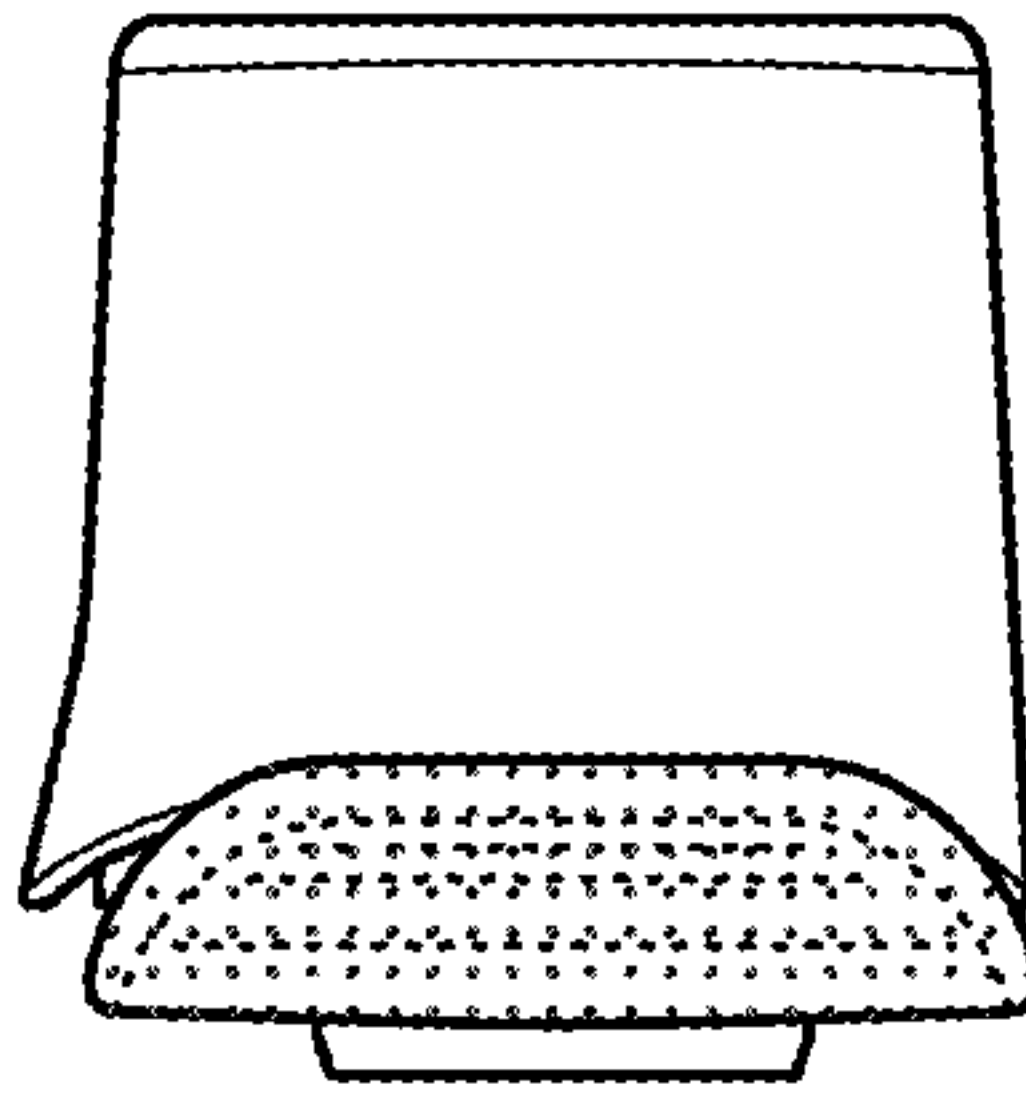


FIG. 18

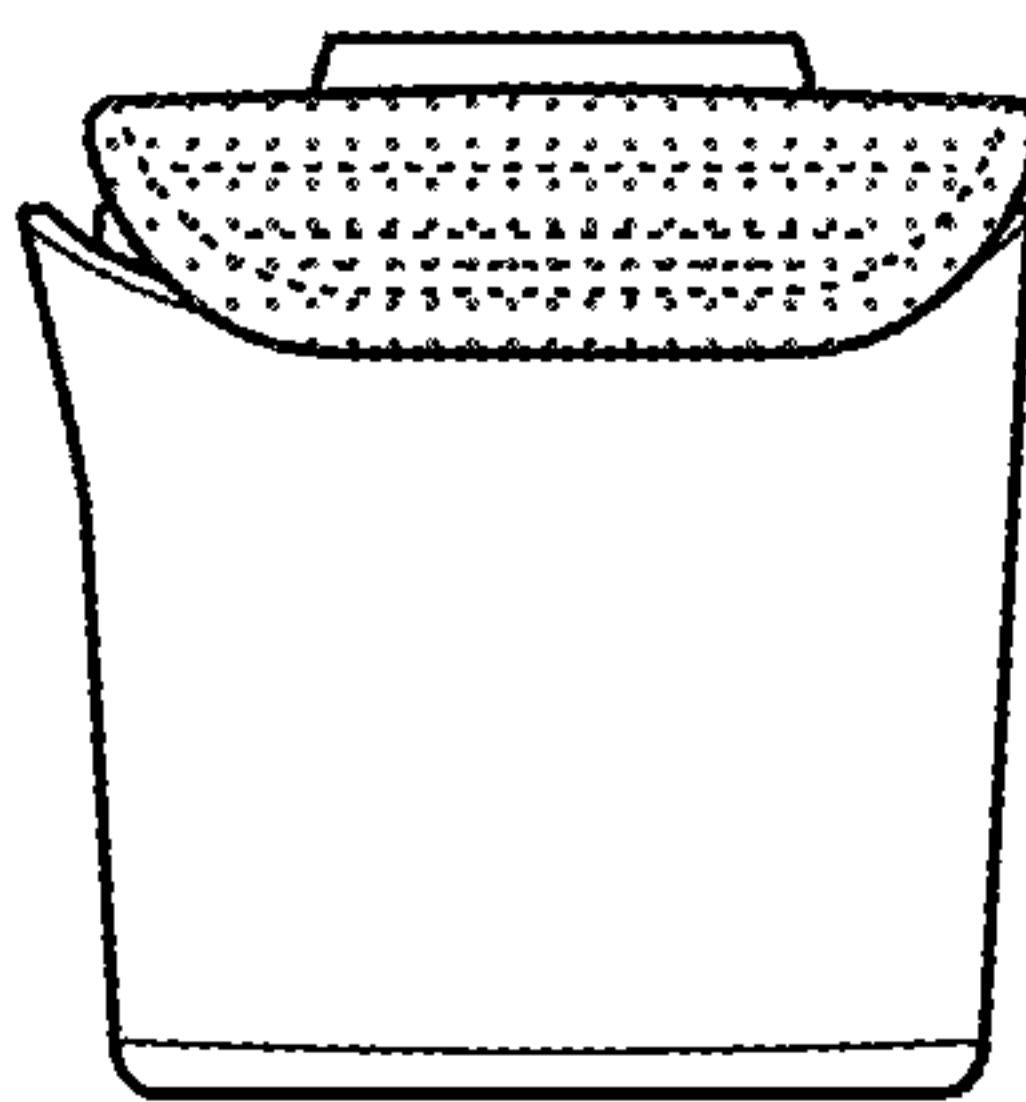


FIG. 17