



US00D927440S

(12) **United States Design Patent** (10) **Patent No.:** **US D927,440 S**
Choi et al. (45) **Date of Patent:** **** Aug. 10, 2021**

(54) **TOP GUIDE FOR ROLLABLE TELEVISION RECEIVER**

(71) Applicant: **LG ELECTRONICS INC.**, Seoul (KR)

(72) Inventors: **Wuram Choi**, Seoul (KR); **Jonggil Pyo**, Seoul (KR)

(73) Assignee: **LG ELECTRONICS INC.**, Seoul (KR)

(**) Term: **15 Years**

(21) Appl. No.: **29/730,820**

(22) Filed: **Apr. 8, 2020**

(30) **Foreign Application Priority Data**

Nov. 20, 2019 (KR) 30-2019-0055663

(51) **LOC (13) Cl.** **14-03**

(52) **U.S. Cl.**
USPC **D14/126**

(58) **Field of Classification Search**

USPC D14/125-138, 138 AD, 138 G, 138 R, D14/204, 239, 248, 314-316, 322, 326, D14/334-336, 339, 340, 345, 341, 371, D14/373-377, 448-450; D20/42, 43; D21/324, 329, 332, 515; D6/300, 308, D6/310, 314, 320, 332, 553, 642-643, D6/650.1, 653.15, 654.15, 657, 661, 675; D16/229, 235, 241

CPC A47G 1/1686; B66D 3/18; G03B 21/58; G03B 21/56; G03B 21/60; G09F 15/0025; G09F 7/18; G09F 9/301; G09G 3/3225; G06F 1/16; G06F 1/1601; G06F 1/1637; G06F 1/1647; G06F 1/1605; G06F 1/162; G06F 1/1652; G06F 1/69; G06F 1/1615; H05K 5/0204; H05K 5/0017; H05K 5/0217; H04N 5/64; H04N 5/232411; H04M 1/0266; H04R 5/02; G02F 1/133308

See application file for complete search history.

(56) **References Cited**

U.S. PATENT DOCUMENTS

D323,338 S *	1/1992	Court	160/24
D607,034 S *	12/2009	Adams	D16/241
8,274,737 B2 *	9/2012	Wang	G03B 21/58 359/461
D776,072 S *	1/2017	Kim	D14/126
D776,631 S *	1/2017	Kim	D14/126
D783,553 S *	4/2017	Kim	D14/126
D785,582 S *	5/2017	Lee	D14/126

(Continued)

Primary Examiner — Ramzi Almatrahi

Assistant Examiner — Charles Cunningham

(74) *Attorney, Agent, or Firm* — Birch, Stewart, Kolasch & Birch LLP

(57) **CLAIM**

We claim the ornamental design for a top guide for rollable television receiver, as shown and described.

DESCRIPTION

FIG. 1 is a top, front and left side perspective view of a top guide for rollable television receiver showing the new design;

FIG. 2 is a front elevation view thereof;

FIG. 3 is a rear elevation view thereof;

FIG. 4 is a left-side elevation view thereof;

FIG. 5 is a right-side elevation view thereof;

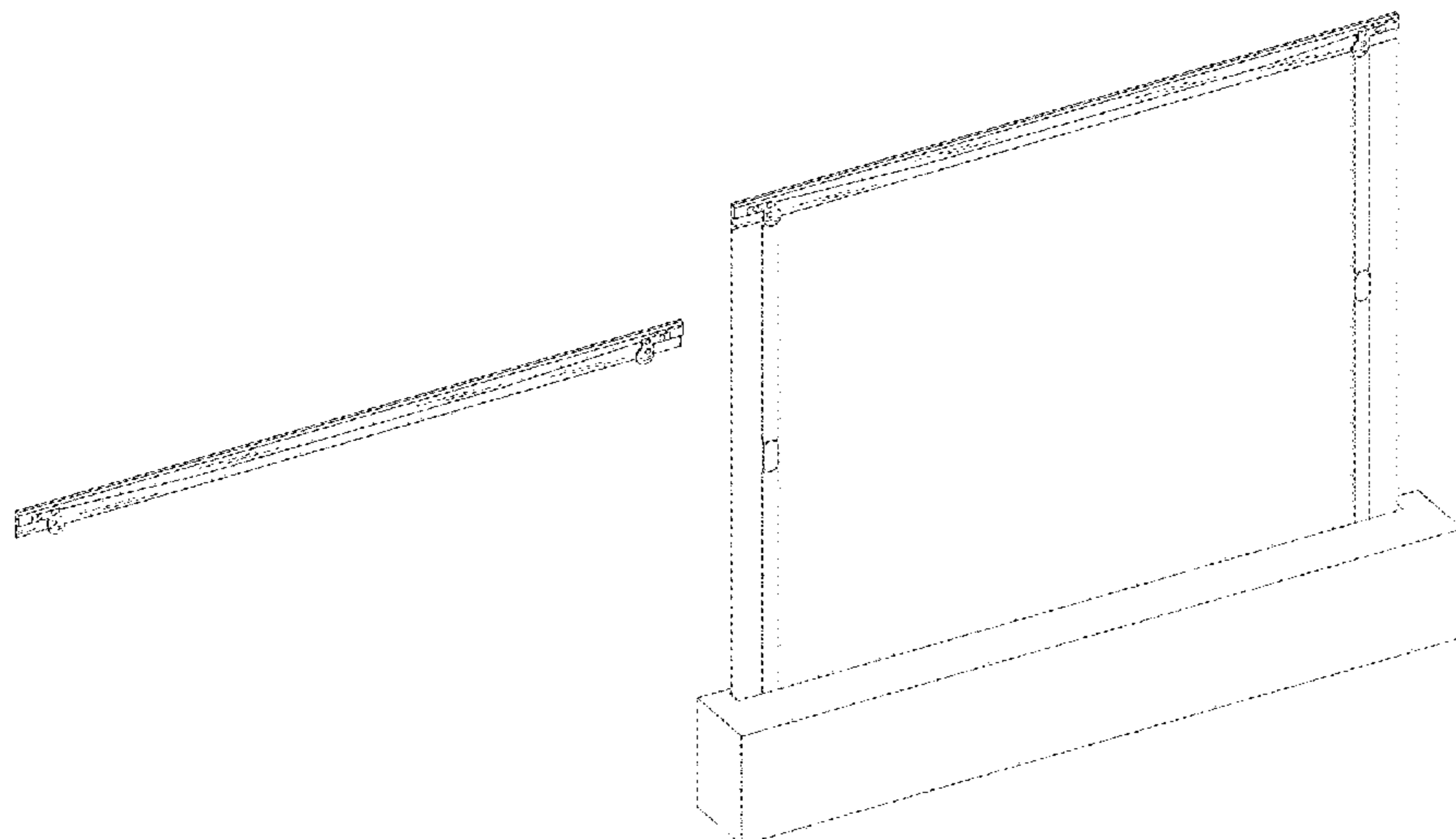
FIG. 6 is a top plan view thereof;

FIG. 7 is a bottom plan view thereof; and,

FIG. 8 is a top, front and left side perspective view thereof, shown with a television receiver disclosed in broken lines to illustrate an environment.

The broken lines showing a television receiver in FIG. 8 represent environmental structure and form no part of the claimed design.

1 Claim, 8 Drawing Sheets



(56)

References Cited

U.S. PATENT DOCUMENTS

9,756,757 B2 * 9/2017 Park H05K 5/0017
D807,844 S * 1/2018 Kim D14/126
10,534,402 B1 * 1/2020 Kim H05K 5/0217
2006/0279840 A1 * 12/2006 Yamauchi G03B 21/56
359/461
2007/0121209 A1 * 5/2007 Liang G03B 21/58
359/461
2020/0035133 A1 * 1/2020 Pyo G09F 9/301

* cited by examiner

FIG. 1

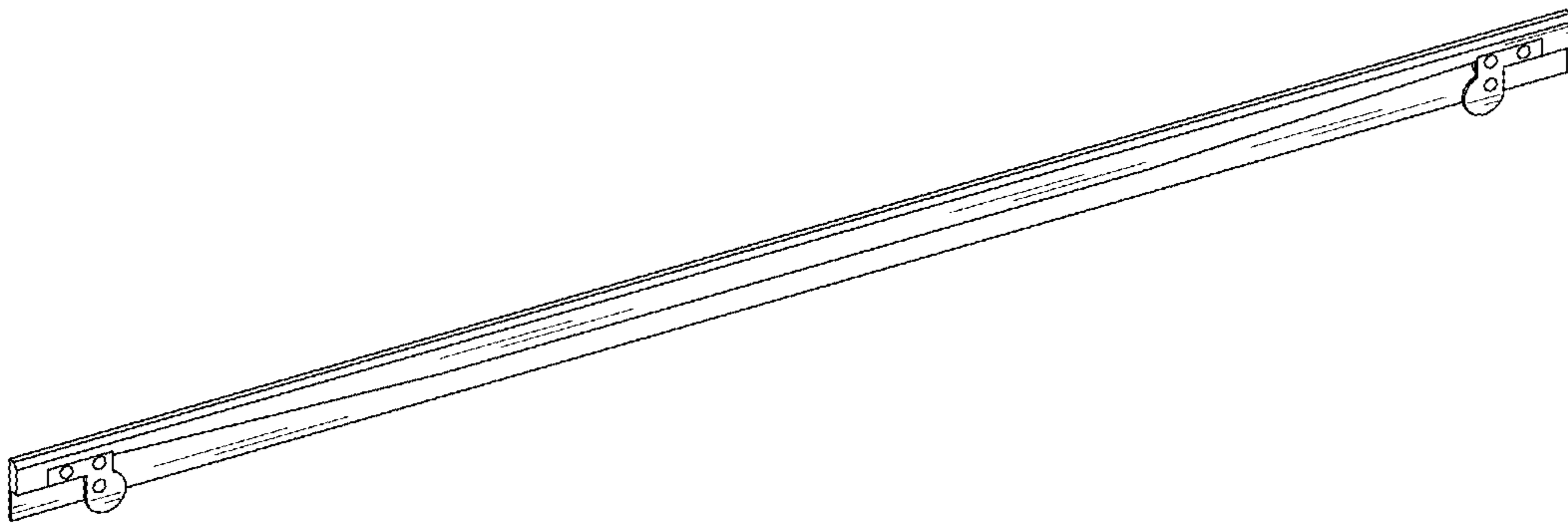


FIG. 2

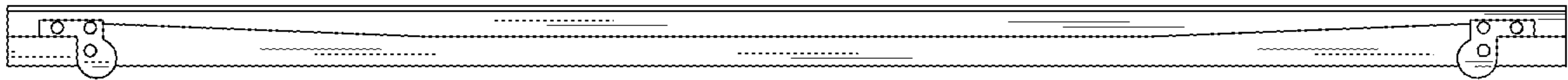


FIG. 3

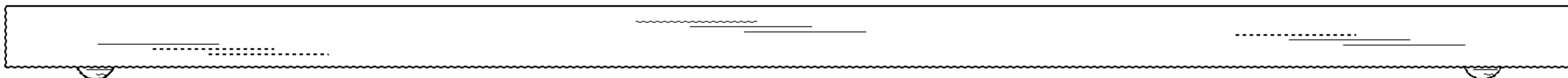


FIG. 4

A small, vertical, stylized mark or symbol, possibly a decorative element or a small graphic, located at the bottom center of the page.

FIG. 5



FIG. 6

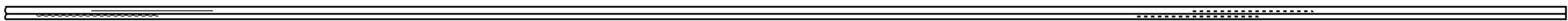


FIG. 7



FIG. 8

