



US00D927439S

(12) **United States Design Patent** (10) **Patent No.:** **US D927,439 S**  
**McConnell et al.** (45) **Date of Patent:** **\*\* Aug. 10, 2021**

(54) **DISPLAY APPLIANCE**  
(71) Applicant: **WHIRLPOOL CORPORATION**,  
Benton Harbor, MI (US)  
(72) Inventors: **John W. McConnell**, St. Joseph, MI  
(US); **Yifan Wang**, St. Joseph, MI (US)  
(73) Assignee: **Whirlpool Corporation**, Benton  
Harbor, MI (US)  
(\*\*) Term: **15 Years**  
(21) Appl. No.: **29/675,927**  
(22) Filed: **Jan. 7, 2019**  
(51) **LOC (13) Cl.** ..... **14-03**  
(52) **U.S. Cl.**  
USPC ..... **D14/126**  
(58) **Field of Classification Search**  
USPC ..... D14/341-347, 138 R, 138 AC, 125-126,  
D14/127-137, 203.3-203.8, 314, 315,  
D14/371, 496; D10/65  
CPC ..... G06F 1/16; G06F 1/1601; G06F 1/1637;  
H04N 5/64; H05K 5/0204; H05K 5/0017;  
H05K 5/0217  
See application file for complete search history.

D871,500 S \* 12/2019 Balar ..... D18/4.5  
D882,567 S \* 4/2020 Parfitt ..... D14/371  
D891,428 S \* 7/2020 Taylor ..... D14/371  
2010/0118327 A1 \* 5/2010 Caspar ..... H04N 1/00519  
358/1.13

(Continued)

**FOREIGN PATENT DOCUMENTS**

CN 201630503061 \* 3/2017  
KR 3020190012090 \* 6/2020

**OTHER PUBLICATIONS**

KitchenAid's new Smart Display, Jan. 6, 2019 [online], [retrieved Jul. 23, 2020], Retrieved from Internet, URL: <https://www.theverge.com/2019/1/6/18168917/kitchenaid-google-assistant-smart-display-splash-resistant-cooking-price-specs-features> (Year: 2019).\*

(Continued)

*Primary Examiner* — Barbara Fox  
*Assistant Examiner* — Aram Kwon  
(74) *Attorney, Agent, or Firm* — McGarry Bair PC

(57) **CLAIM**

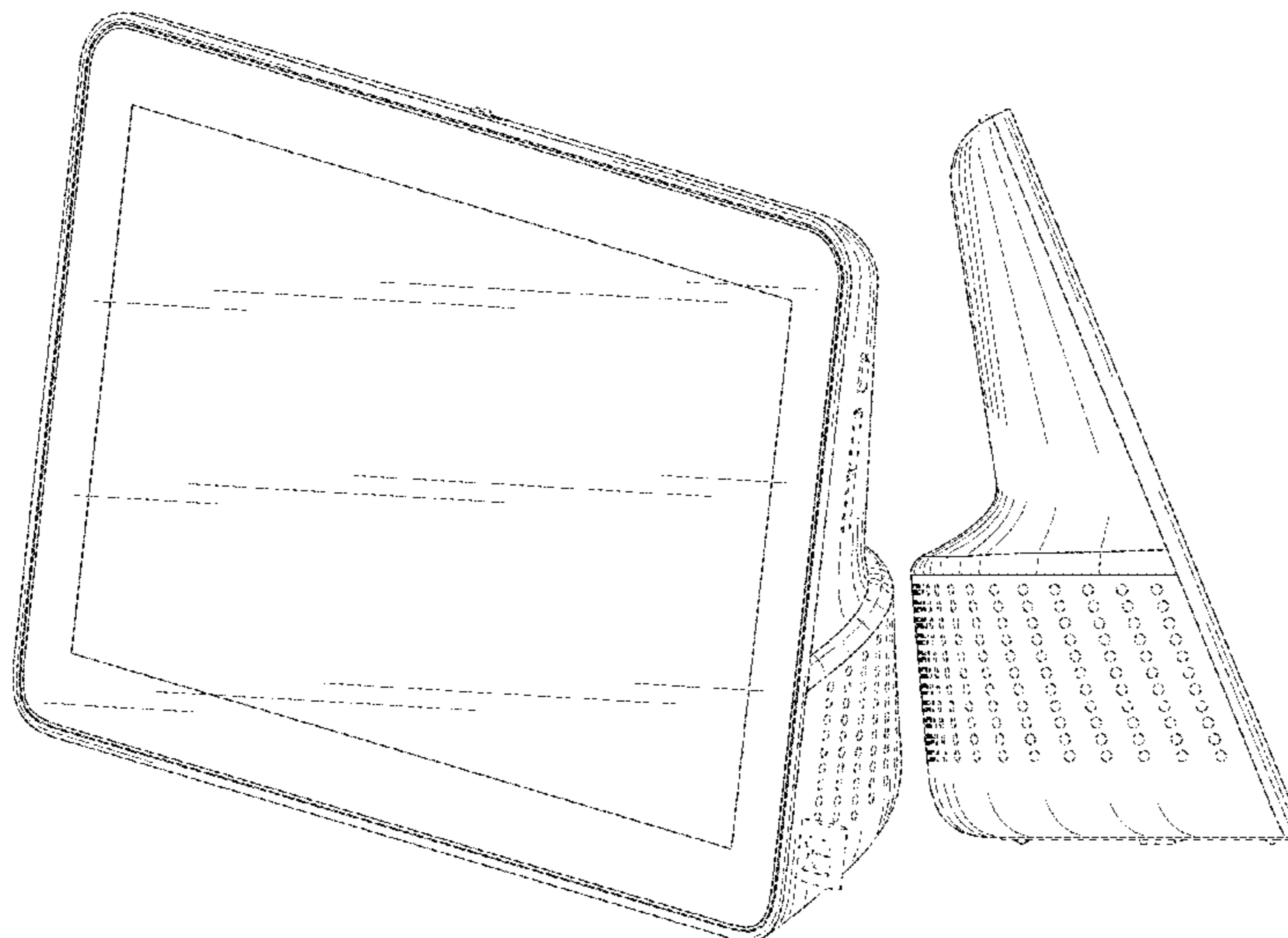
The ornamental design for a display appliance, as shown and described.

**DESCRIPTION**

FIG. 1 is a top perspective view of a display appliance, showing our new design;  
FIG. 2 is a bottom perspective view thereof;  
FIG. 3 is a top view thereof;  
FIG. 4 is a bottom view thereof;  
FIG. 5 is a front view thereof;  
FIG. 6 is a left side view thereof;  
FIG. 7 is a rear view thereof; and,  
FIG. 8 is a right side view thereof.  
Portions of the display appliance are shown in broken lines. Portions shown in broken line form no part of the claimed design.

**1 Claim, 8 Drawing Sheets**

(56) **References Cited**  
**U.S. PATENT DOCUMENTS**  
D608,547 S \* 1/2010 Peng ..... D6/310  
D618,192 S \* 6/2010 Huang ..... D14/130  
D635,944 S \* 4/2011 Chien ..... D14/128  
D702,658 S \* 4/2014 Kim ..... D14/126  
D771,181 S \* 11/2016 Jung ..... D18/50  
D784,270 S \* 4/2017 Bhattacharya ..... D13/162  
D811,383 S \* 2/2018 Diasabeygunawardena .....  
D14/336  
D811,384 S \* 2/2018 Diasabeygunawardena .....  
D14/336  
D850,440 S \* 6/2019 Gentle ..... D14/336  
D856,410 S \* 8/2019 Lee ..... D18/4.4  
D857,007 S \* 8/2019 Pitallano ..... D14/307



(56)

**References Cited**

U.S. PATENT DOCUMENTS

2016/0327300 A1\* 11/2016 Ribbich ..... G05D 23/1902  
2019/0066076 A1\* 2/2019 Lee ..... G06Q 20/204

OTHER PUBLICATIONS

Smart displays let Amazon, Facebook, Google show you answers to your questions, Jul. 4, 2019 [online], [retrieved Jul. 23, 2020], Retrieved from Internet, URL: <<https://www.cnet.com/pictures/smart-displays-let-amazon-facebook-and-google-show-you-the-answers-to-your-questions/>> (Year: 2019).\*

Engadget article KitchenAid's Smart Display is a tablet that fears no faucet, available at <https://www.engadget.com/2019/01/06/kitchenaid-smart-display-is-a-tablet-that-fears-no-faucet/>, accessed Jan. 6, 2019.

\* cited by examiner

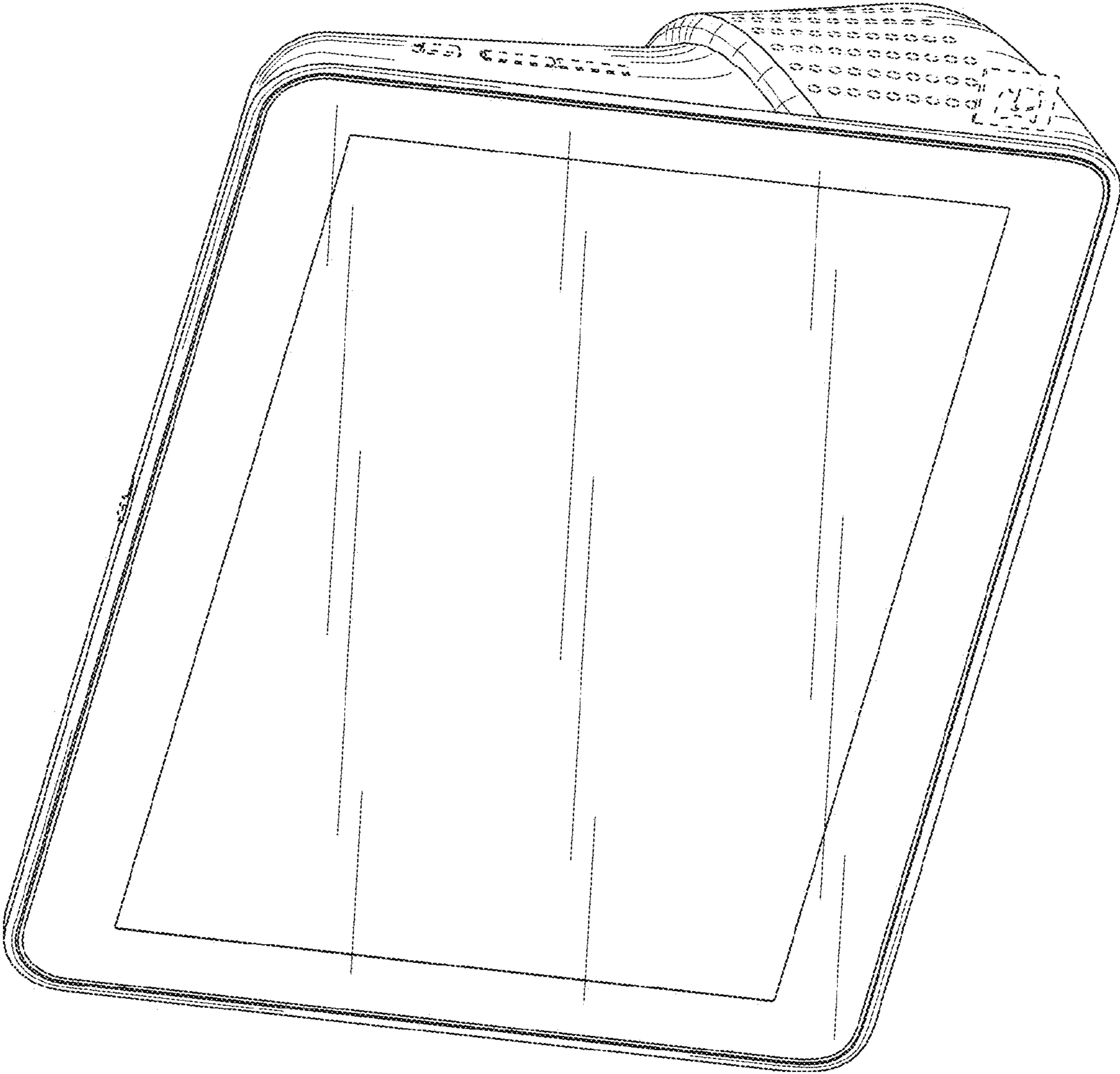


FIG. 1

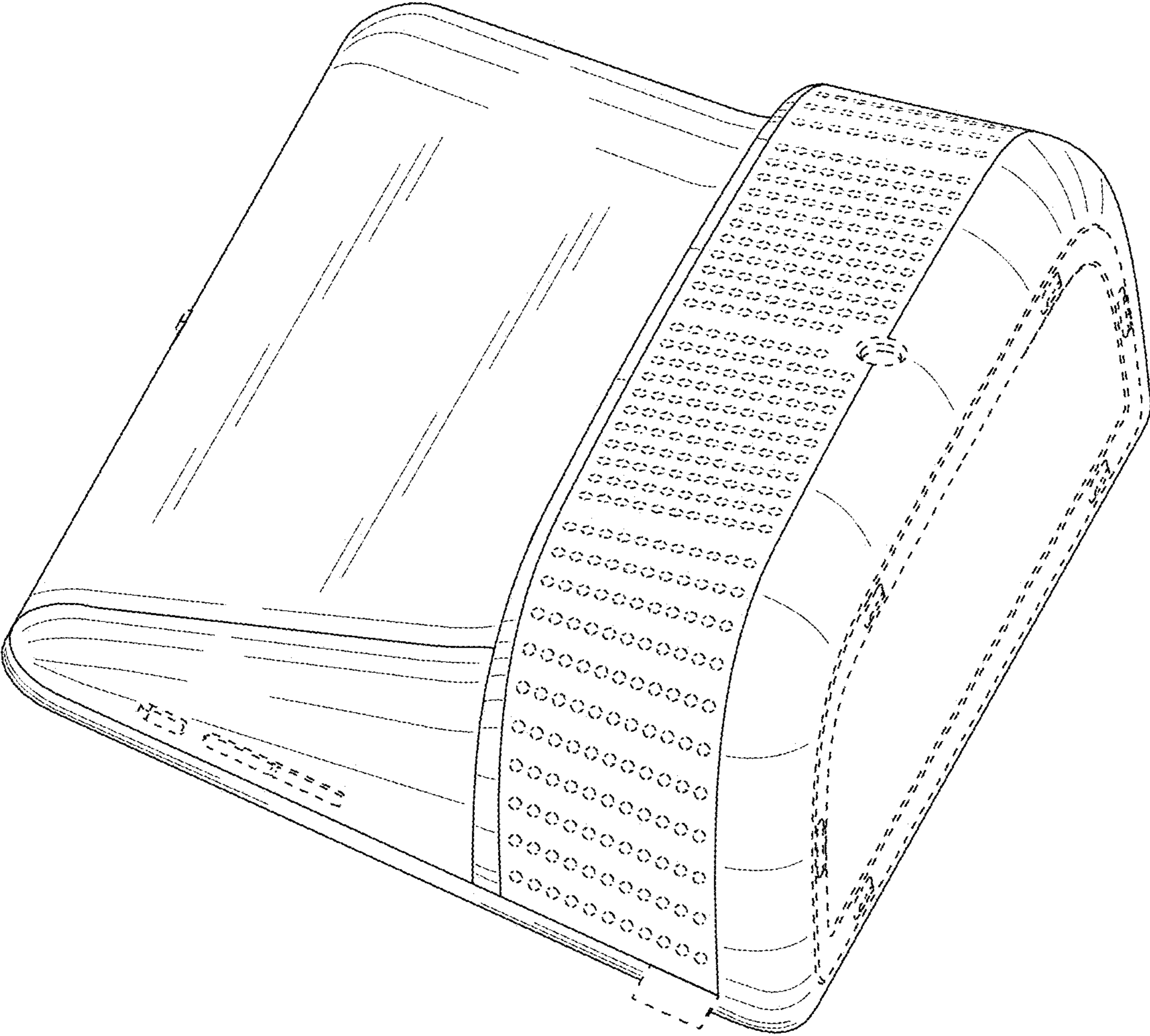


FIG. 2

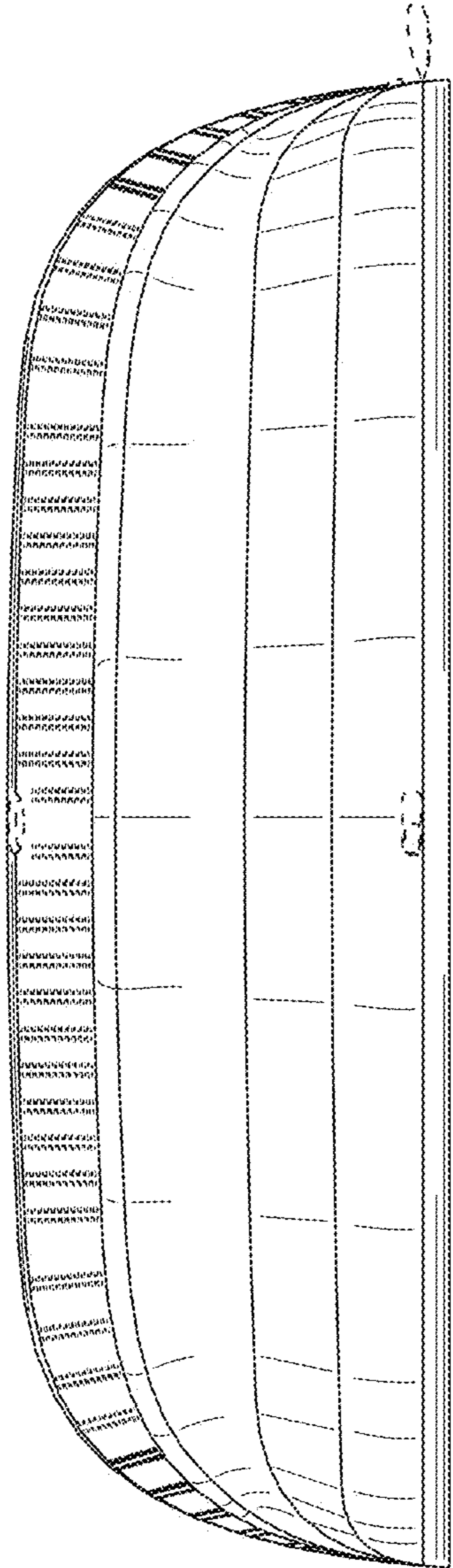


FIG. 3

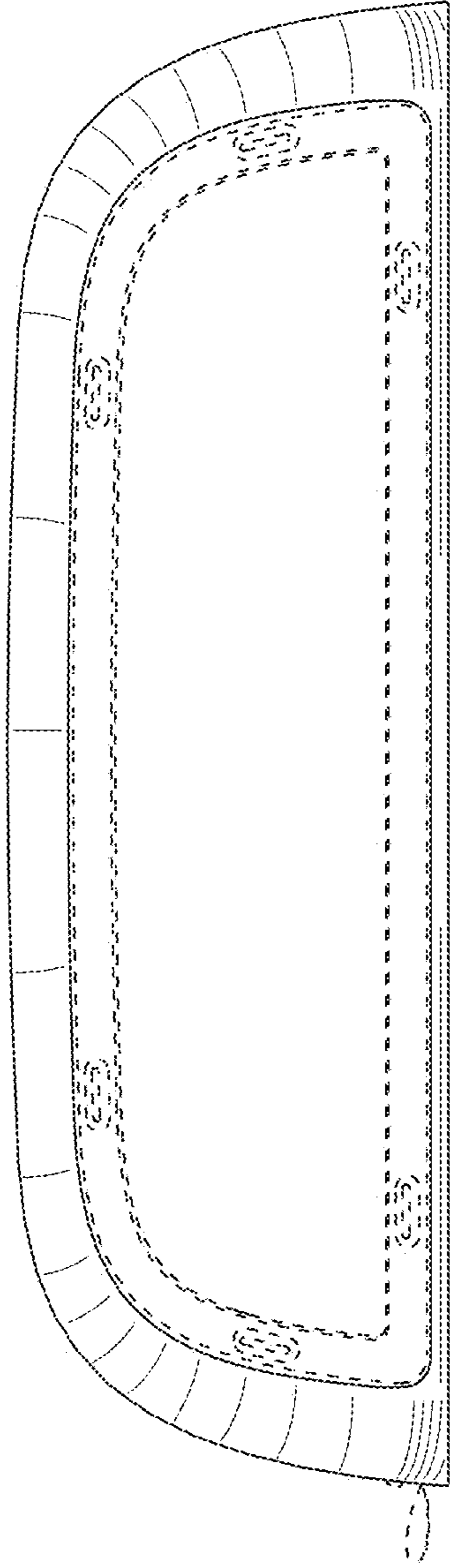


FIG. 4

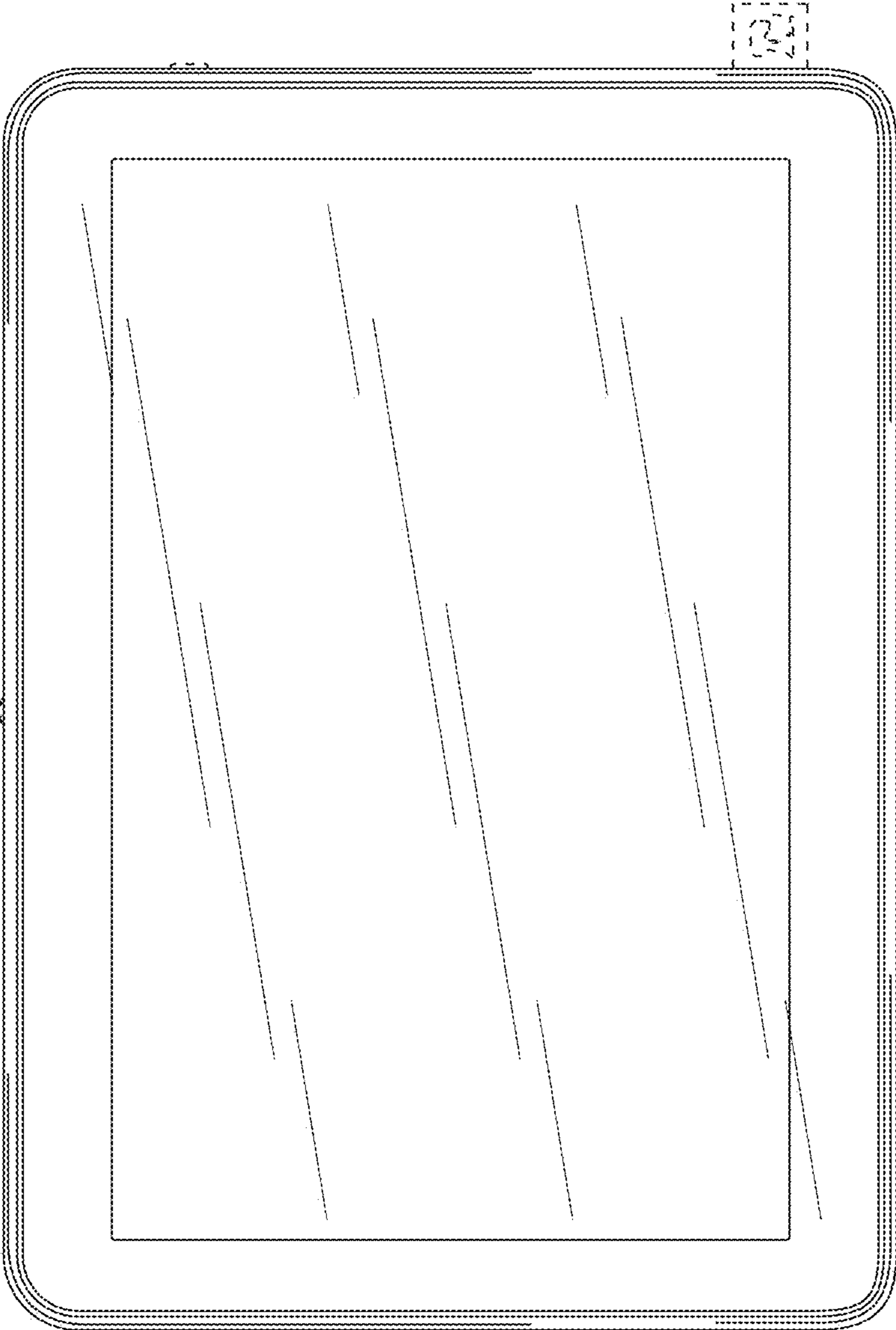


FIG. 5

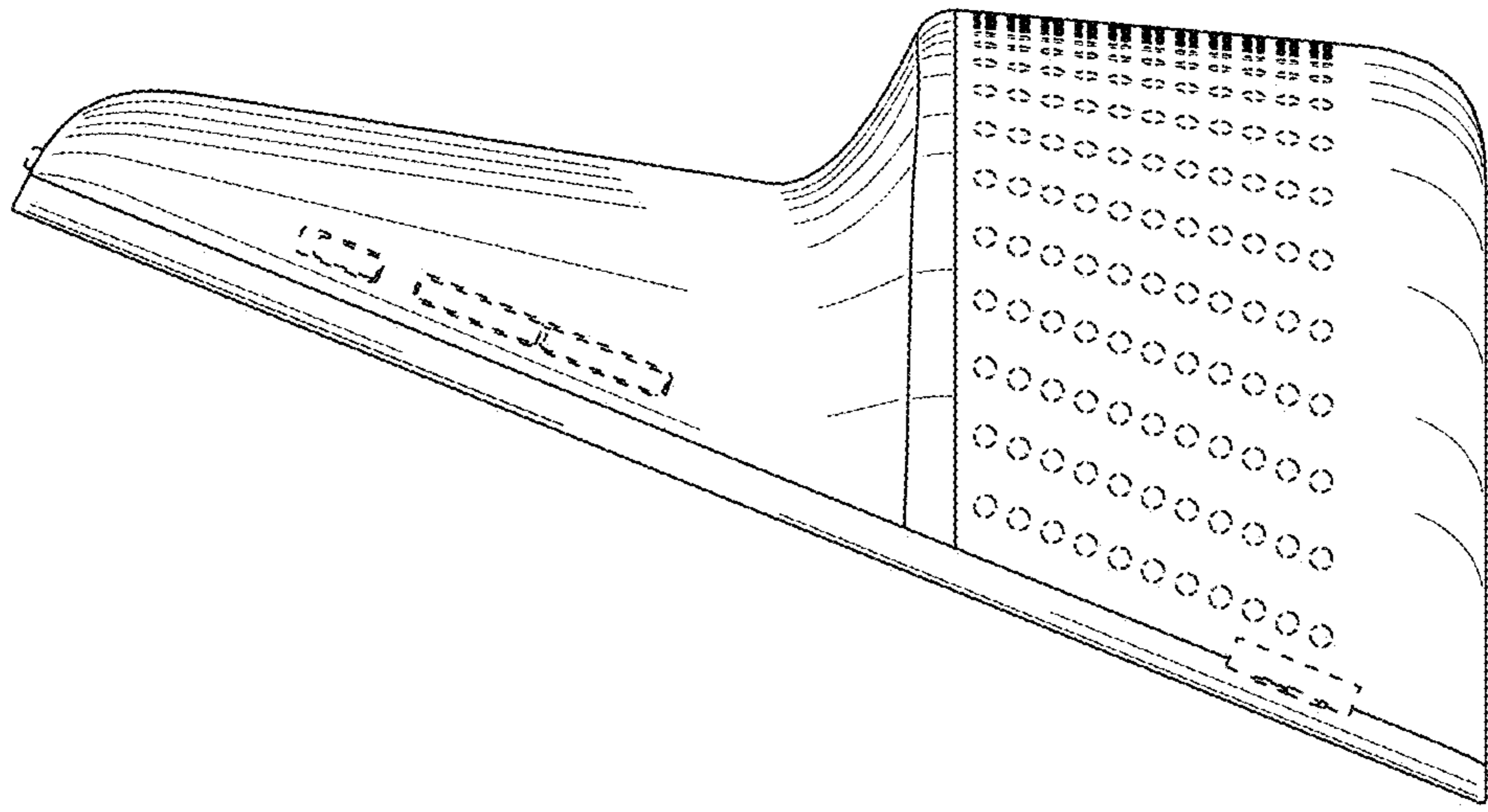


FIG. 6



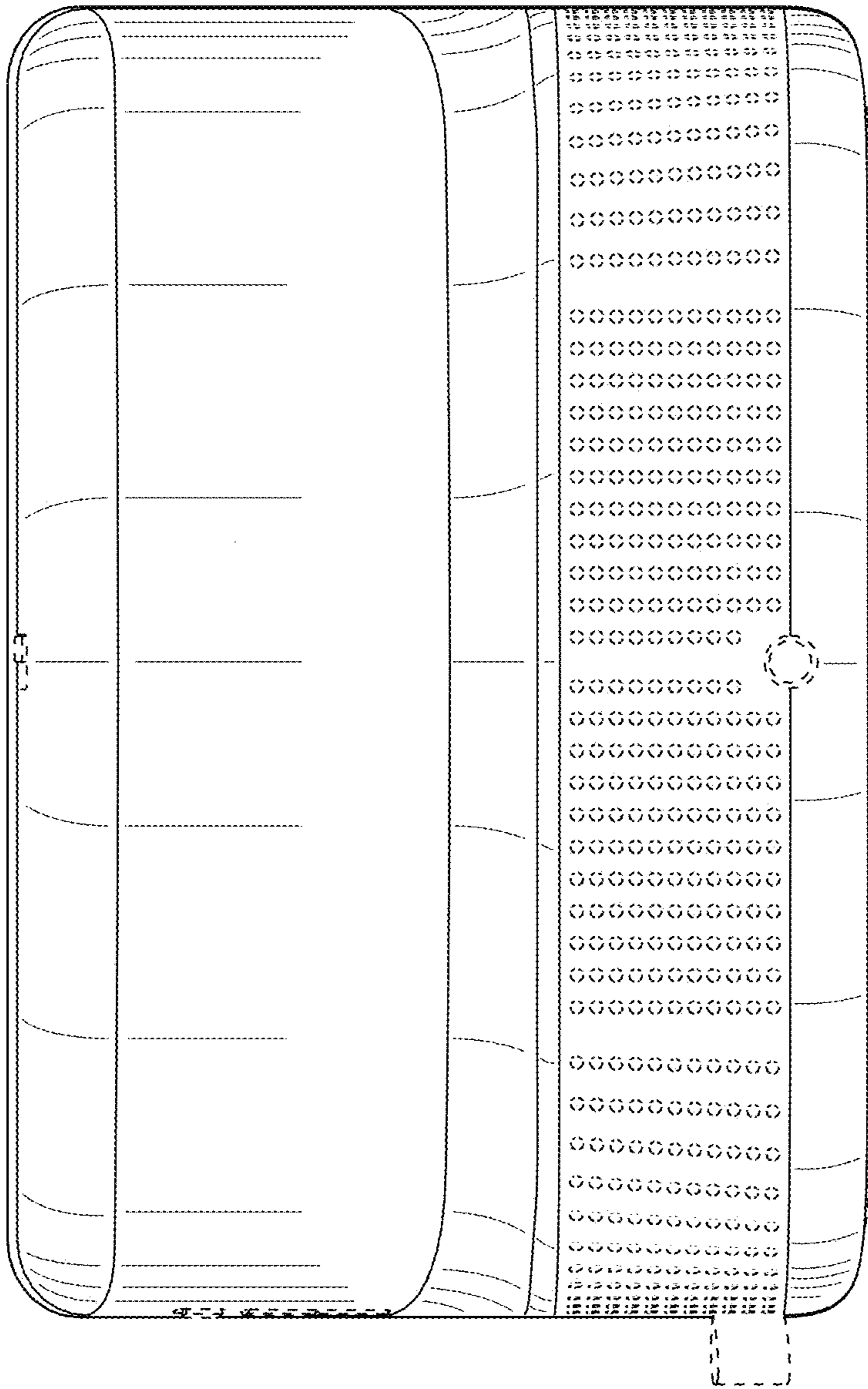


FIG. 7

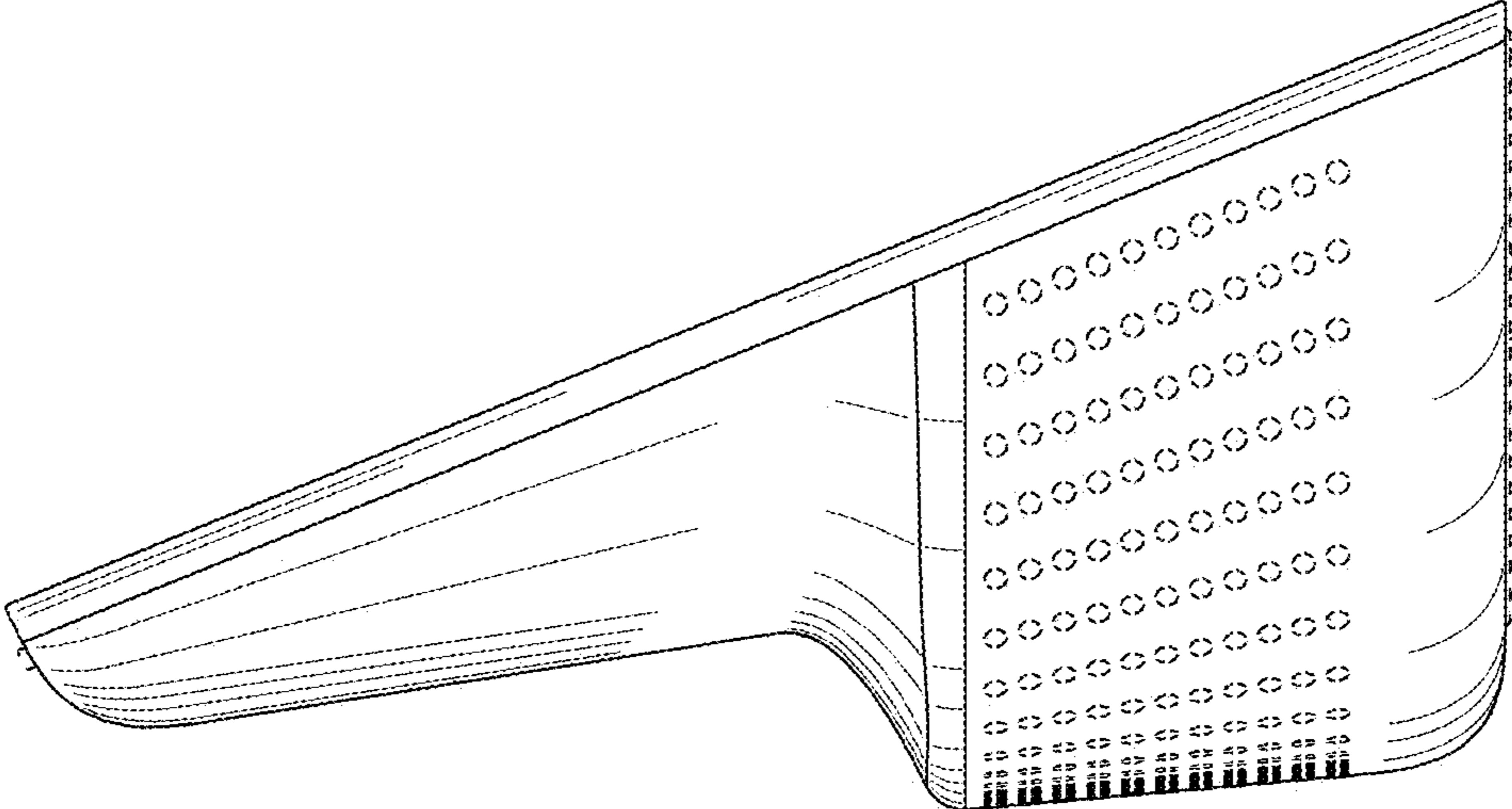


FIG. 8