



US00D927431S

(12) **United States Design Patent**  
**Seki et al.**

(10) **Patent No.:** **US D927,431 S**

(45) **Date of Patent:** **\*\* Aug. 10, 2021**

(54) **CONNECTING TERMINAL**

(71) Applicant: **CENTRAL GLASS COMPANY, LIMITED**, Ube (JP)

(72) Inventors: **Kohei Seki**, Matsusaka (JP); **Jun Hamada**, Matsusaka (JP)

(73) Assignee: **CENTRAL GLASS COMPANY, LIMITED**, Yamaguchi (JP)

(\*\*) Term: **15 Years**

(21) Appl. No.: **29/680,909**

(22) Filed: **Feb. 21, 2019**

(30) **Foreign Application Priority Data**

Aug. 22, 2018 (JP) ..... 2018-018213  
Aug. 22, 2018 (JP) ..... 2018-018216

(Continued)

(51) **LOC (13) Cl.** ..... **13-03**

(52) **U.S. Cl.**  
USPC ..... **D13/154; D13/120**

(58) **Field of Classification Search**  
USPC ..... D13/118, 120, 123, 133, 146, 147, 153,  
D13/154, 155, 157, 158, 173, 184, 199;  
D8/356, 382; D25/133

(Continued)

(56) **References Cited**

**U.S. PATENT DOCUMENTS**

5,154,646 A \* 10/1992 Shoup ..... H01R 11/288  
439/772  
D399,486 S \* 10/1998 Deans ..... D13/120

(Continued)

**OTHER PUBLICATIONS**

“Cable Tie Mounting Base”. Found online Oct. 2, 2020 at amazon.com. Reference dated Nov. 28, 2013. Retrieved from <https://www.amazon.com/3M-Cable-Mounting-4-way-Adhesive/dp/B00JR8KZTC?th=1> (Year: 2013).\*

amazon.com/3M-Cable-Mounting-4-way-Adhesive/dp/B00JR8KZTC?th=1 (Year: 2013).\*

(Continued)

*Primary Examiner* — Kendra Leslie Hamilton

*Assistant Examiner* — Amanda Christensen

(74) *Attorney, Agent, or Firm* — Westerman, Hattori, Daniels & Adrian, LLP

(57) **CLAIM**

The ornamental design for a connecting terminal, as shown and described.

**DESCRIPTION**

FIG. 1 is a front elevation view of a first embodiment of a connecting terminal, showing our new design;

FIG. 2 is a rear elevation view thereof;

FIG. 3 is a right side elevation view thereof;

FIG. 4 is a left side elevation view thereof;

FIG. 5 is a top plan view thereof;

FIG. 6 is a bottom plan view thereof;

FIG. 7 is a top, rear, left side perspective view of the connecting terminal of FIG. 1, shown in a condition of use and at a reduced scale;

FIG. 8 is a bottom, rear, right side perspective view of the connecting terminal of FIG. 1, shown in a condition for use;

FIG. 9 is a top, rear, left side perspective view thereof;

FIG. 10 is a front elevation view of a second embodiment of a connecting terminal, showing our new design;

FIG. 11 is a rear elevation view thereof;

FIG. 12 is a right side elevation view thereof, the left side elevation view being identical thereof;

FIG. 13 is a top plan view thereof;

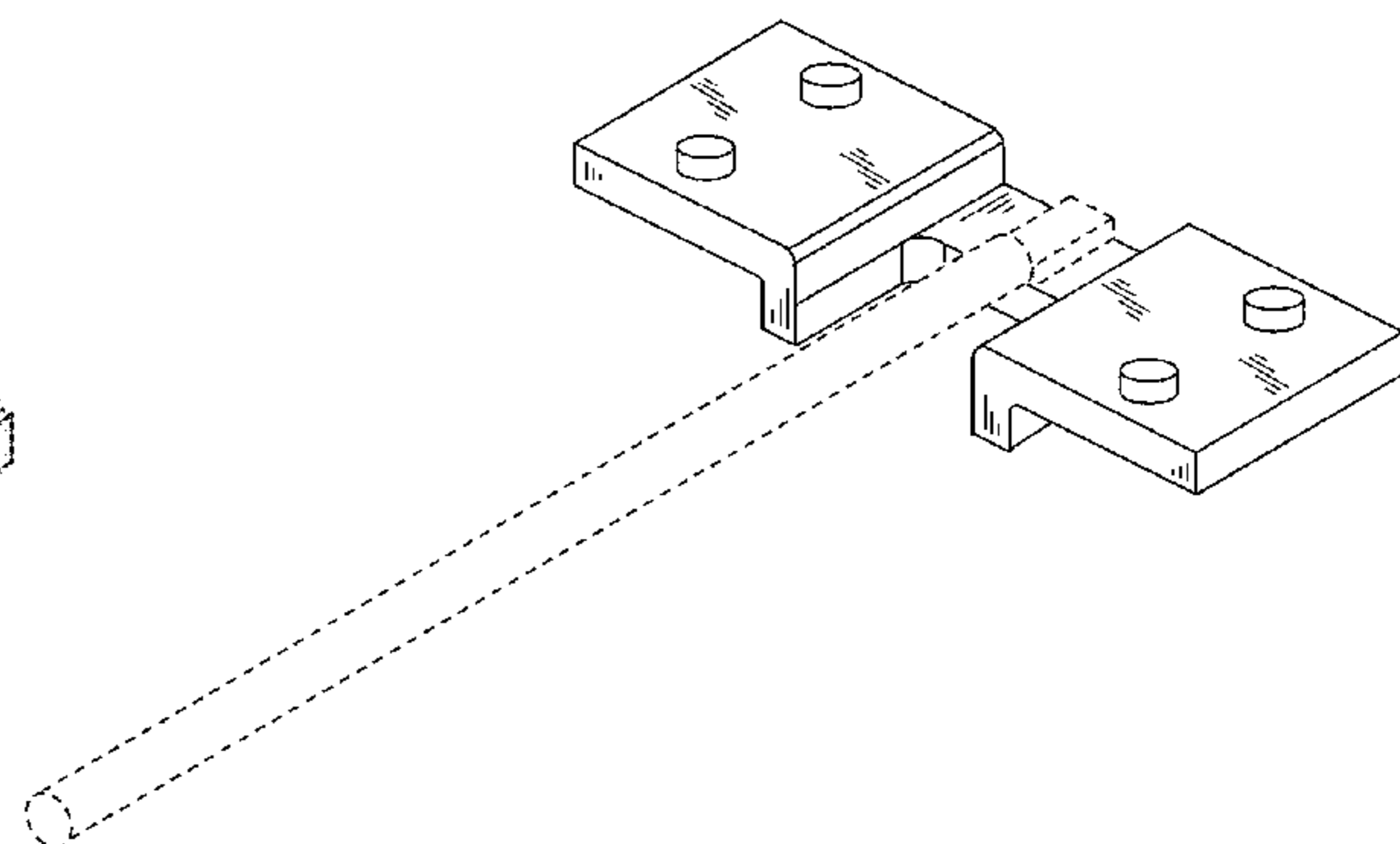
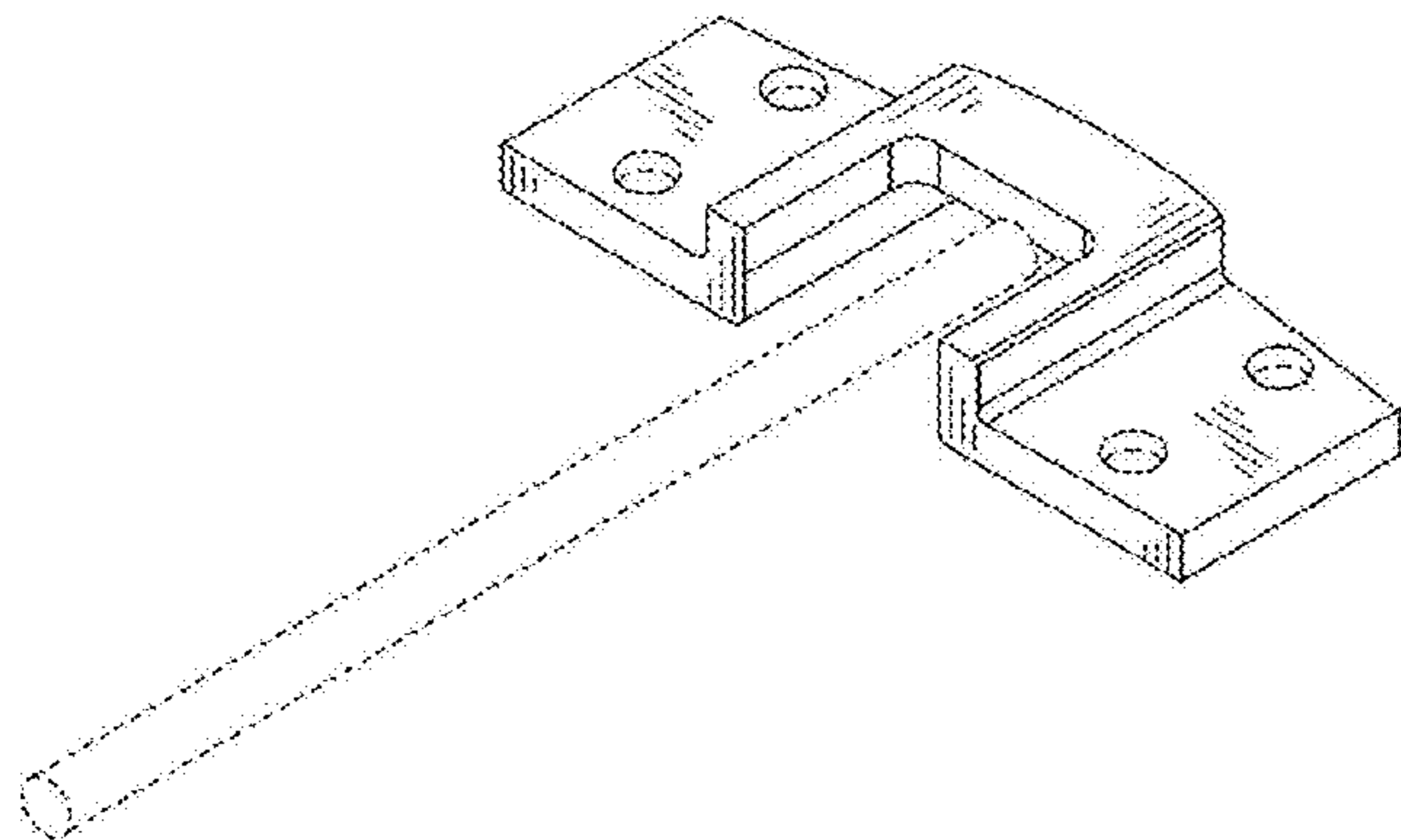
FIG. 14 is a bottom plan view thereof;

FIG. 15 is a top, rear, left side perspective view of the connecting terminal of FIG. 10, shown in a condition of use and at a reduced scale;

FIG. 16 is a bottom, rear, right side perspective view of the connecting terminal of FIG. 10, shown in a condition for use; and,

FIG. 17 is a top, rear, left side perspective view thereof.

(Continued)



The arcuate broken lines shown within the circular portions of the connecting terminal in FIGS. 7, 9, 15 and 17 depict portions of the connecting terminal that form no part of the claimed design. All other broken lines shown in the drawings show environmental subject matter that form no part of the claimed design.

**1 Claim, 17 Drawing Sheets**

(30) **Foreign Application Priority Data**

Aug. 22, 2018 (JP) ..... 2018-018217  
 Sep. 7, 2018 (JP) ..... 2018-019587  
 Sep. 7, 2018 (JP) ..... 2018-019602  
 Sep. 7, 2018 (JP) ..... 2018-019603  
 Sep. 7, 2018 (JP) ..... 2018-019604

(58) **Field of Classification Search**

CPC ..... H01R 9/00; H01R 9/16; H01R 13/02  
 See application file for complete search history.

(56) **References Cited**

U.S. PATENT DOCUMENTS

D448,342 S \* 9/2001 Liang ..... D13/120  
 7,270,548 B2 \* 9/2007 Jenrich ..... H01R 11/16  
 439/34

D760,581 S \* 7/2016 Pace ..... D8/382  
 10,026,529 B2 \* 7/2018 Chiku ..... H01C 1/14  
 D843,824 S \* 3/2019 Milani ..... D8/382  
 D883,227 S \* 5/2020 Seki ..... D13/154  
 2006/0280657 A1 \* 12/2006 Farina ..... G01D 11/30  
 422/400  
 2012/0305311 A1 \* 12/2012 Jenrich ..... H01R 4/02  
 174/75 R  
 2014/0182932 A1 \* 7/2014 Cholewa ..... H05K 3/4015  
 174/84 R  
 2017/0179458 A1 \* 6/2017 Sato ..... H01M 2/206  
 2019/0393623 A1 \* 12/2019 Chiyajo ..... H01R 4/28

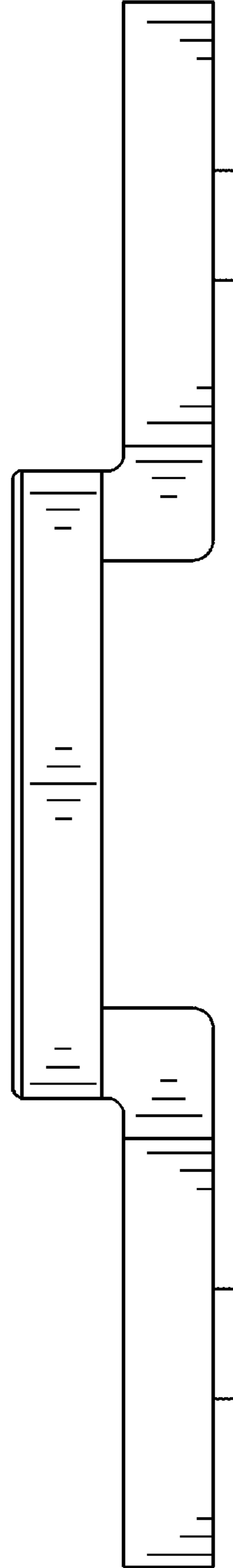
OTHER PUBLICATIONS

“Speaker Amp Jack Plate”. Found online Oct. 2, 2020 at amazon.com. Reference dated May 7, 2017. Retrieved from [https://www.amazon.com/dp/B0716NH7XZ/ref=sspa\\_dk\\_detail\\_2GV0YWIsJmFjdG1vbj1jbGlja1JIZGIyZWV0JmRvTm90TG9nQ2xpY2s9dHJ1ZQ==](https://www.amazon.com/dp/B0716NH7XZ/ref=sspa_dk_detail_2GV0YWIsJmFjdG1vbj1jbGlja1JIZGIyZWV0JmRvTm90TG9nQ2xpY2s9dHJ1ZQ==). (Year: 2017).\*

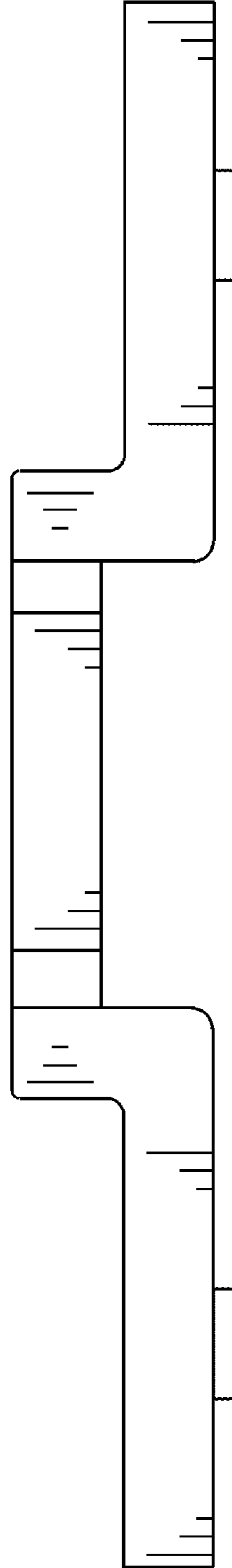
“TE Connectivity Non-Metallic Splice Kit”. Found online Oct. 2, 2020 at amazon.com. Reference dated Jan. 22, 2010. Retrieved from <https://www.amazon.com/TE-Connectivity-CPGI-1116377-2-Non-Metallic-Splice/dp/B00N023AOI>. (Year: 2010).\*

\* cited by examiner

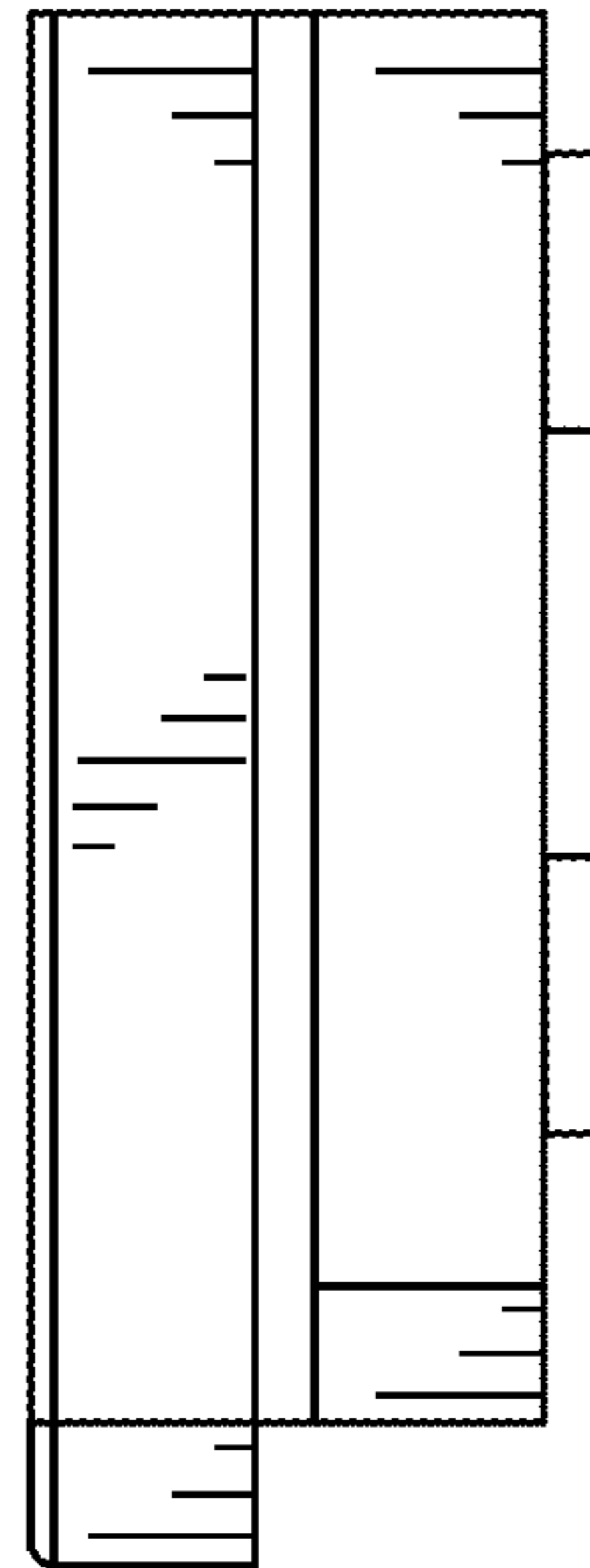
**FIG. 1**



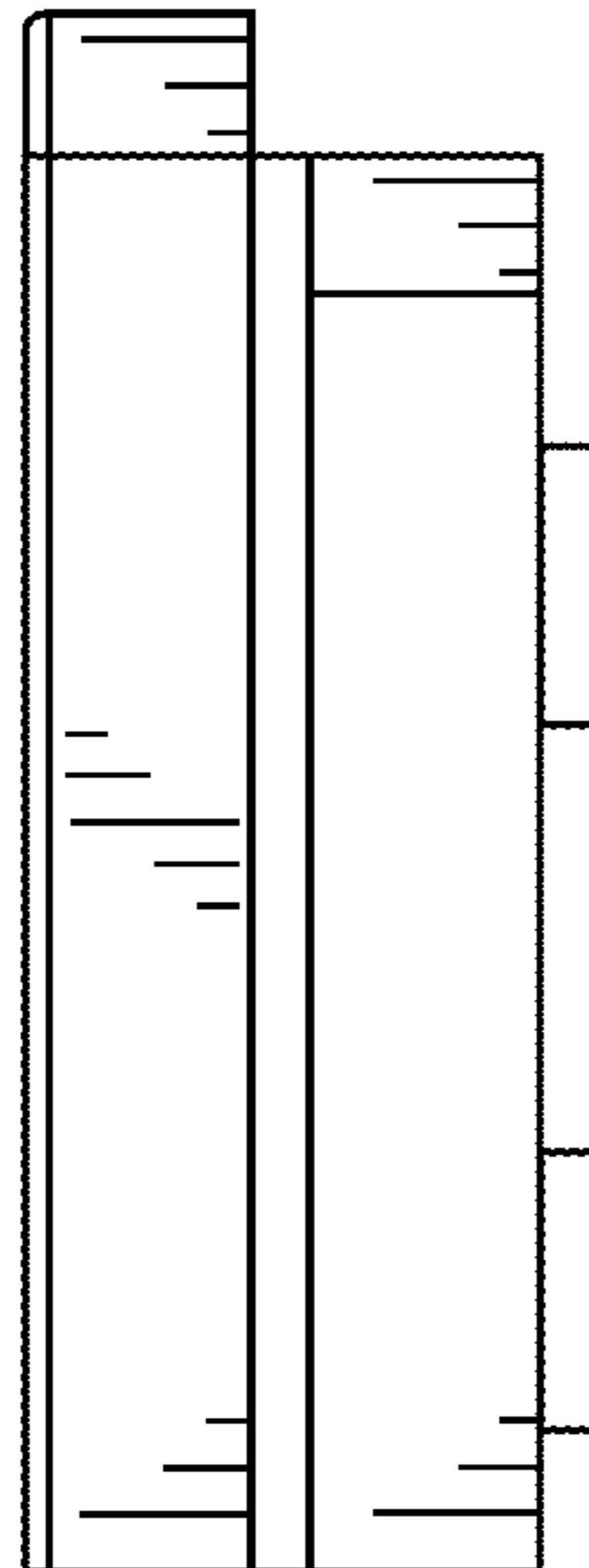
**FIG. 2**



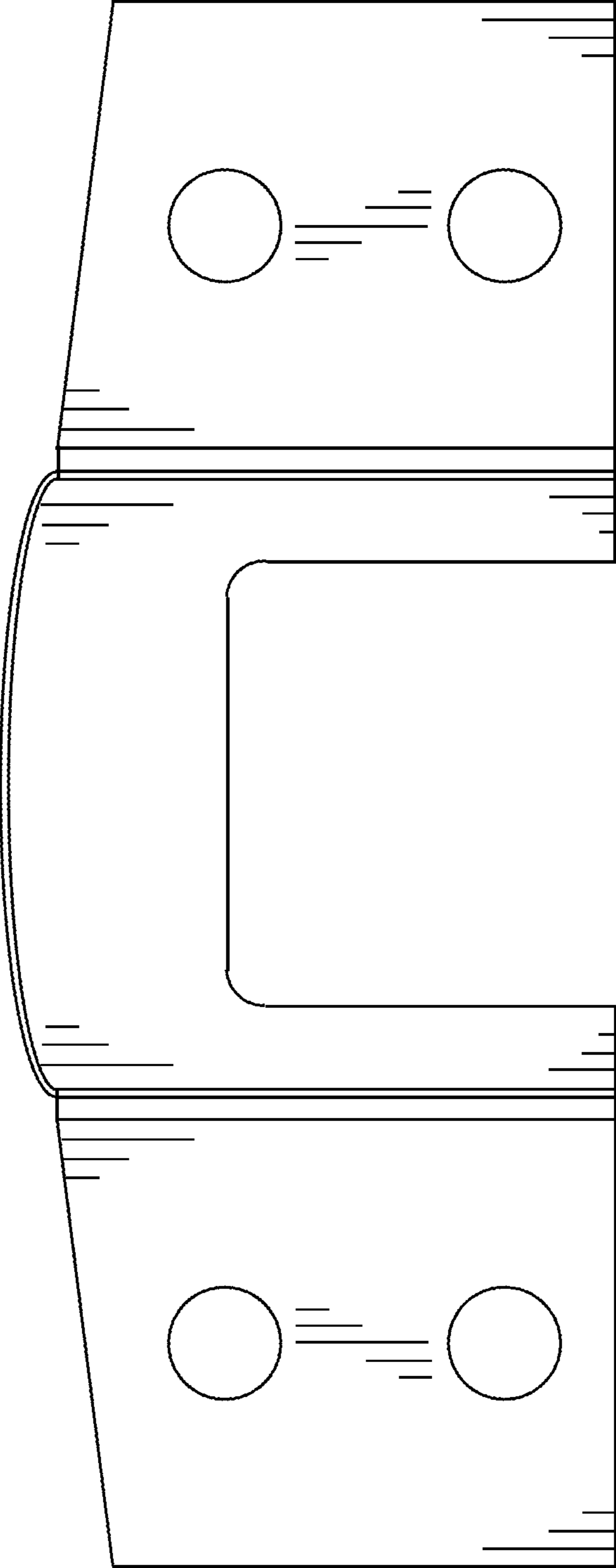
**FIG. 3**



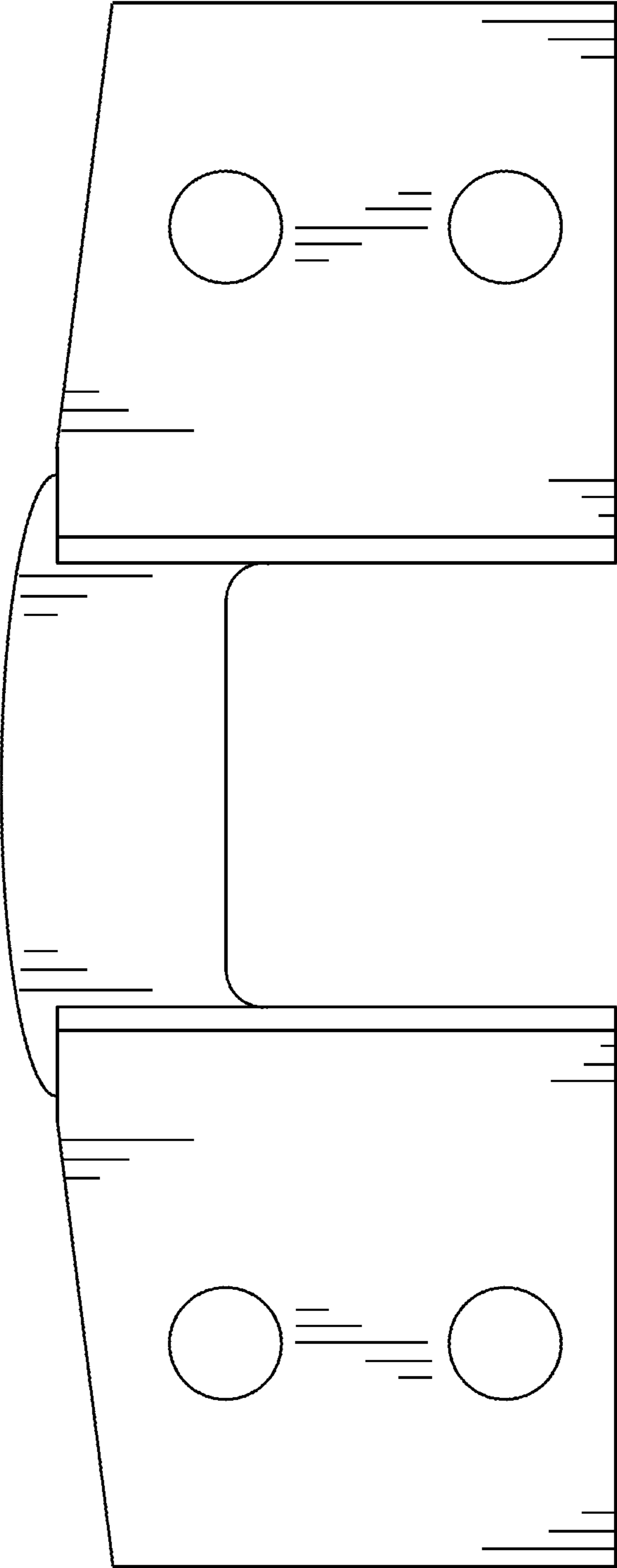
**FIG. 4**



**FIG. 5**

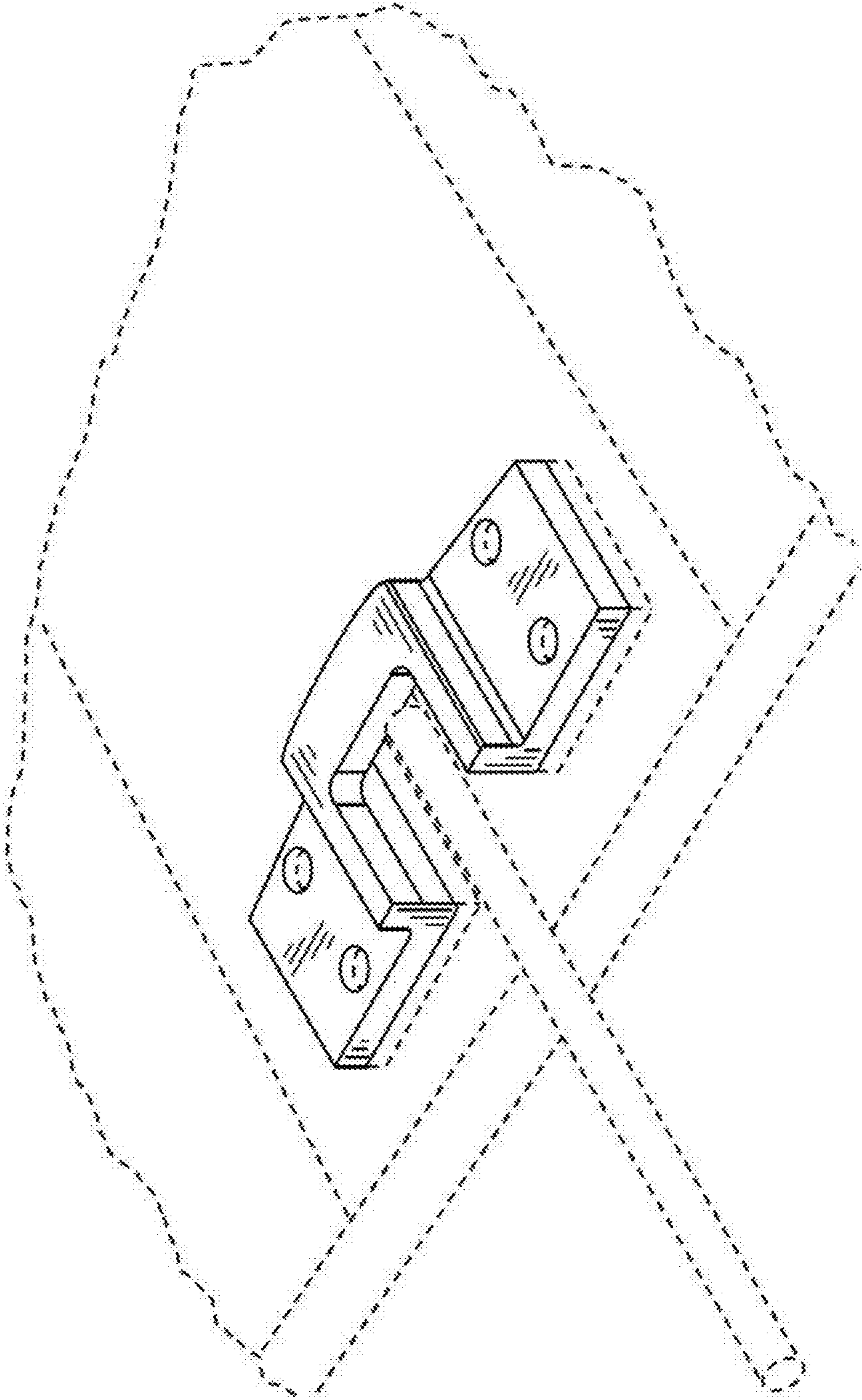


**FIG. 6**

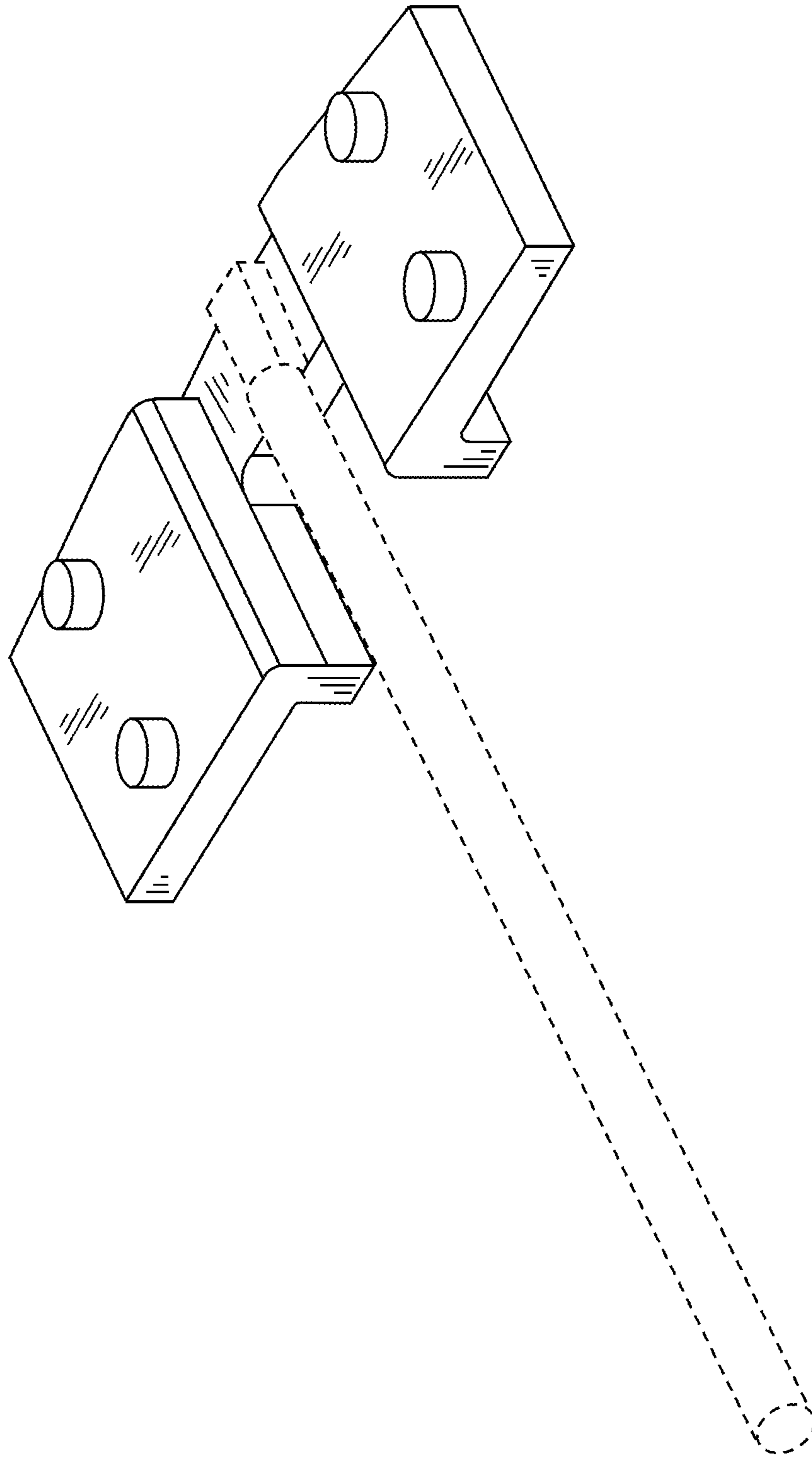




**FIG. 7**



**FIG. 8**



**FIG. 9**

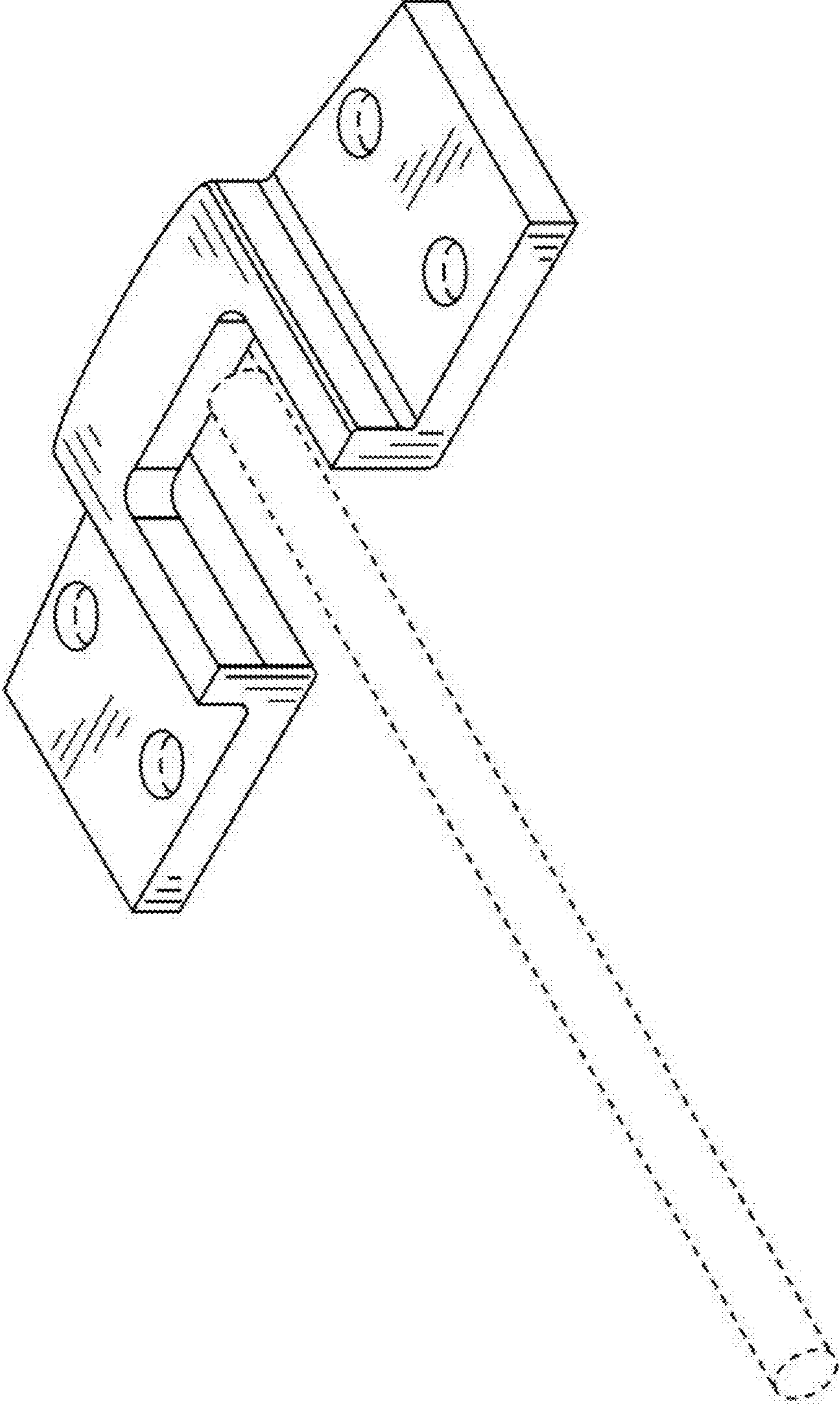


FIG. 10

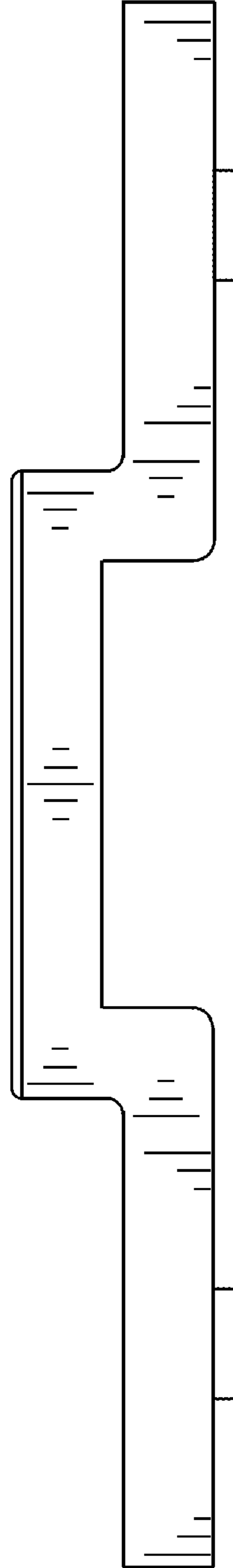


FIG. 11

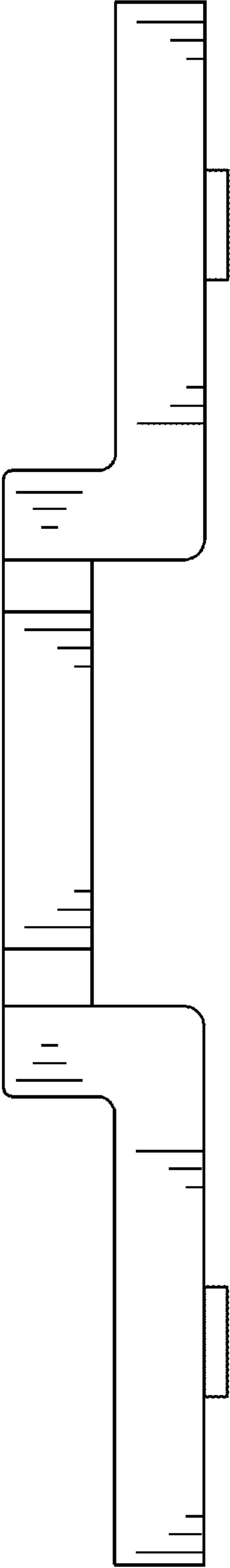


FIG. 12

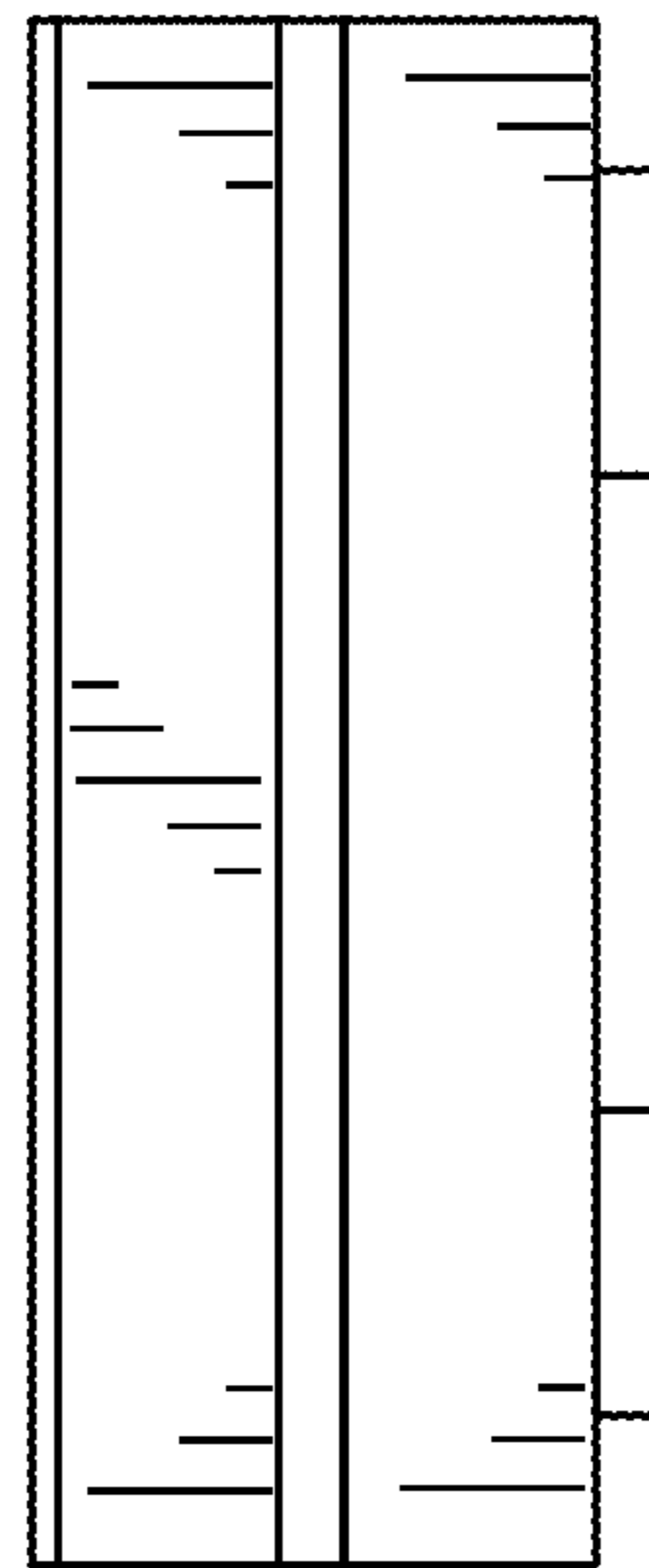


FIG. 13

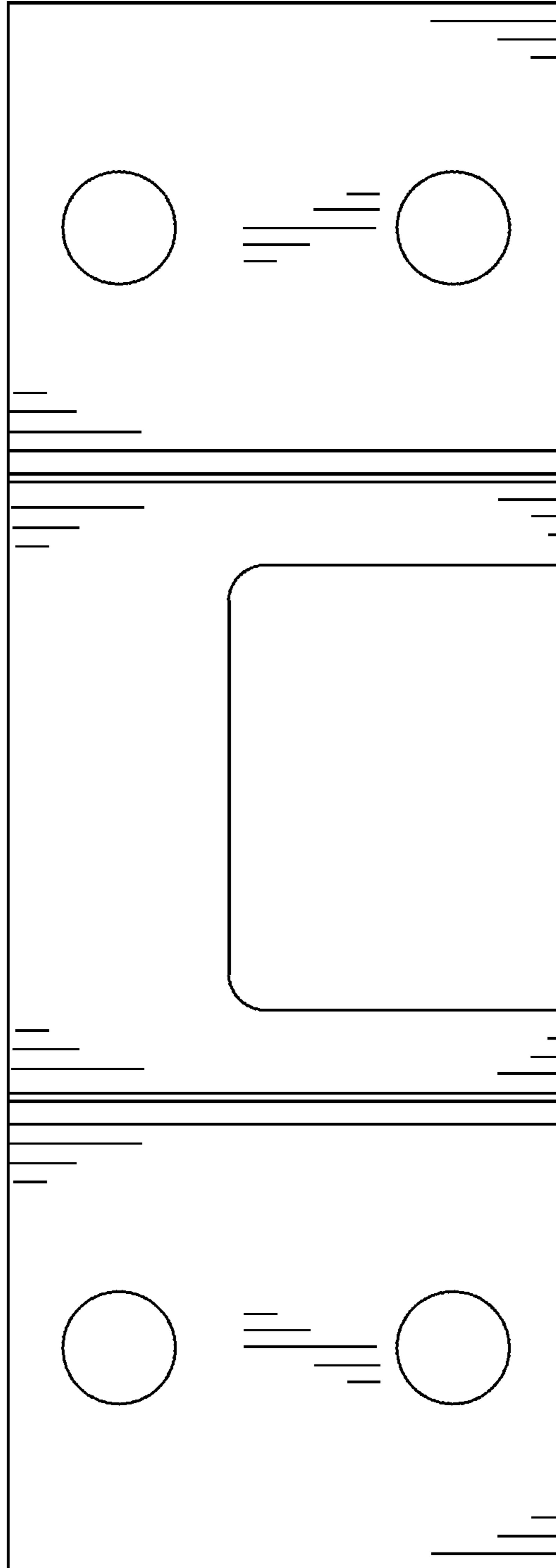
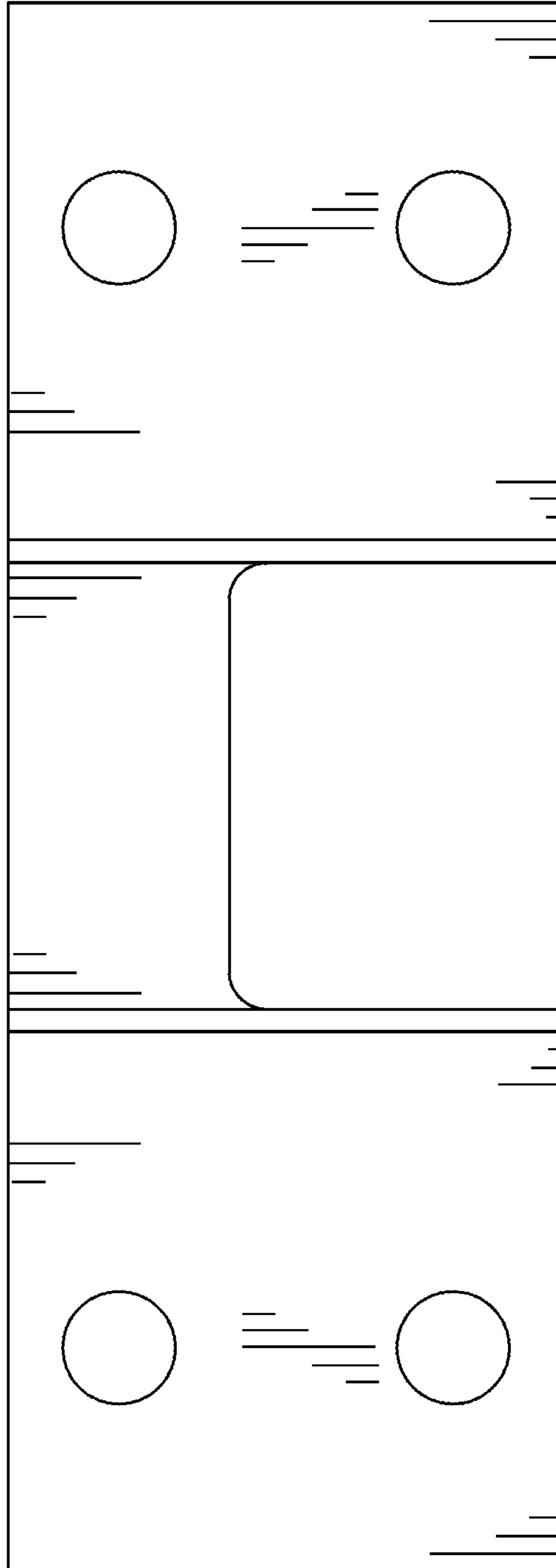
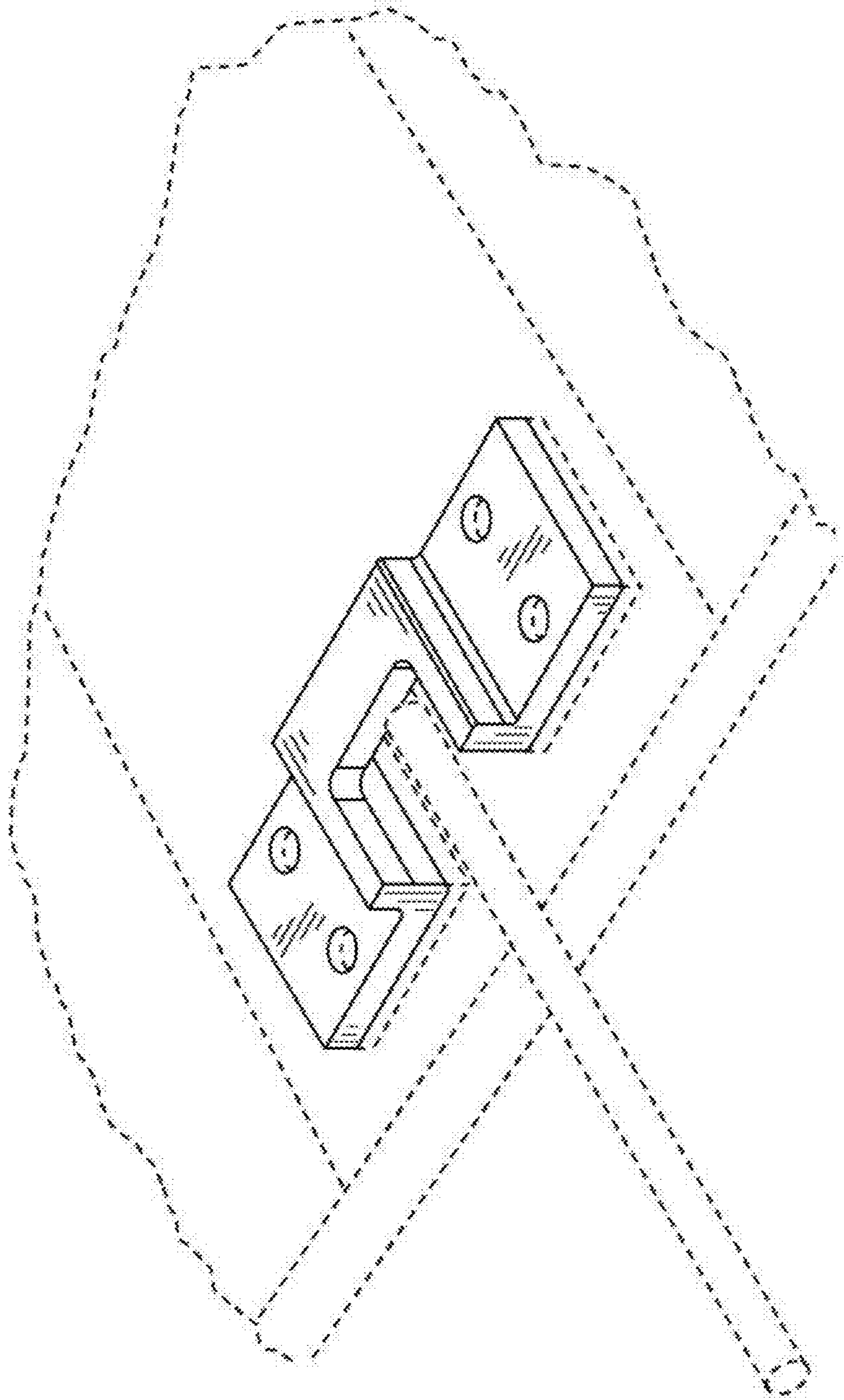


FIG. 14





**FIG. 15**



**FIG. 16**

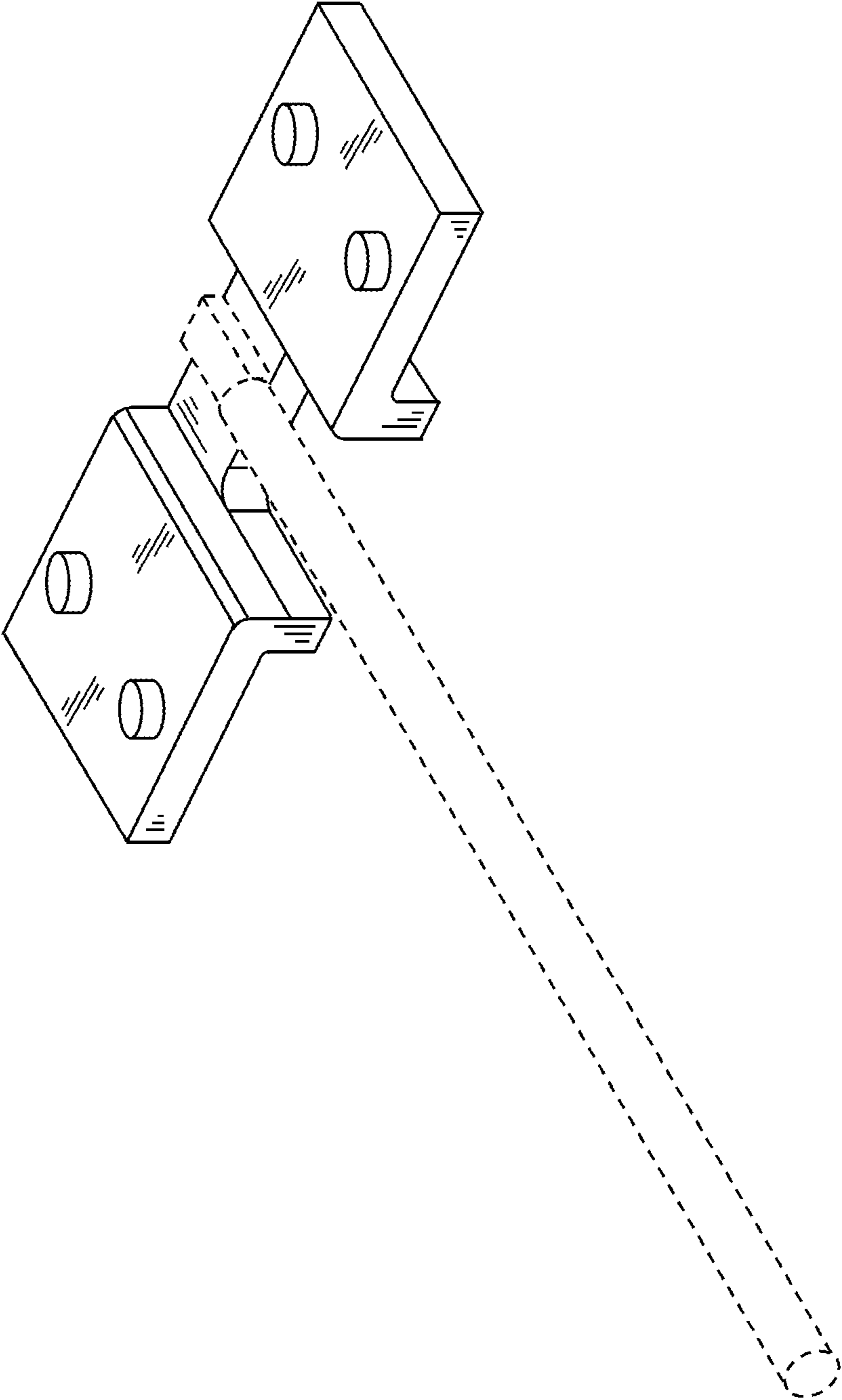


FIG. 17

