



US00D927430S

(12) **United States Design Patent** (10) **Patent No.:** **US D927,430 S**  
**Cohen et al.** (45) **Date of Patent:** **\*\* Aug. 10, 2021**

(54) **LIGHTING JUNCTION BOX**  
(71) Applicant: **Brandon Cohen**, Vernon, CA (US)  
(72) Inventors: **Brandon Cohen**, Vernon, CA (US);  
**Sung Jung**, Culver City, CA (US)  
(\*\*) Term: **15 Years**  
(21) Appl. No.: **29/784,023**  
(22) Filed: **May 17, 2021**

3,913,773 A 10/1975 Copp  
4,880,128 A 11/1989 Jorgensen  
4,919,292 A 4/1990 Hsu  
5,303,894 A 4/1994 Deschamps  
5,420,376 A 5/1995 Rajecki  
5,957,573 A 9/1999 Wedekind  
6,521,833 B1 2/2003 DeFreitas  
6,967,284 B1 11/2005 Gretz  
7,784,754 B2 8/2010 Nevers  
7,857,275 B2 12/2010 de la Borbolla  
7,950,832 B2 5/2011 Tanaka  
8,235,549 B2 8/2012 Gingrich, III  
D677,634 S \* 3/2013 Korcz ..... D13/152  
8,926,133 B2 1/2015 Booth  
9,065,264 B2 \* 6/2015 Cooper ..... H02G 3/20  
9,151,457 B2 10/2015 Pickard  
9,605,842 B1 3/2017 Davis  
9,625,109 B1 \* 4/2017 Wronski ..... F21V 21/042

**Related U.S. Application Data**

(63) Continuation-in-part of application No. 17/106,048, filed on Nov. 27, 2020, and a continuation-in-part of application No. 29/754,418, filed on Oct. 9, 2020, now Pat. No. Des. 922,331.

(51) **LOC (13) Cl.** ..... **13-03**  
(52) **U.S. Cl.**  
USPC ..... **D13/152; D13/184**  
(58) **Field of Classification Search**  
USPC ..... D13/184, 152, 155, 133, 156, 158;  
D7/396.2; D23/261  
CPC ..... H02G 3/185; H02G 3/125; H02G 3/0625;  
H02G 3/083; H02G 3/20; H02G 3/126;  
H02G 3/12

See application file for complete search history.

(56) **References Cited**

**U.S. PATENT DOCUMENTS**

1,133,535 A 3/1915 Cain  
1,471,340 A \* 10/1923 Knight ..... H02G 3/083  
220/3.94  
1,856,356 A 5/1932 Owen  
2,352,913 A 7/1944 Parker  
2,758,810 A 8/1956 Good  
2,802,933 A 8/1957 Broadwin  
3,104,087 A 9/1963 Budnick  
3,773,968 A 11/1973 Copp

*Primary Examiner* — Keli L Hill  
*Assistant Examiner* — Harold E Blackwell, II  
(74) *Attorney, Agent, or Firm* — Eric Kelly

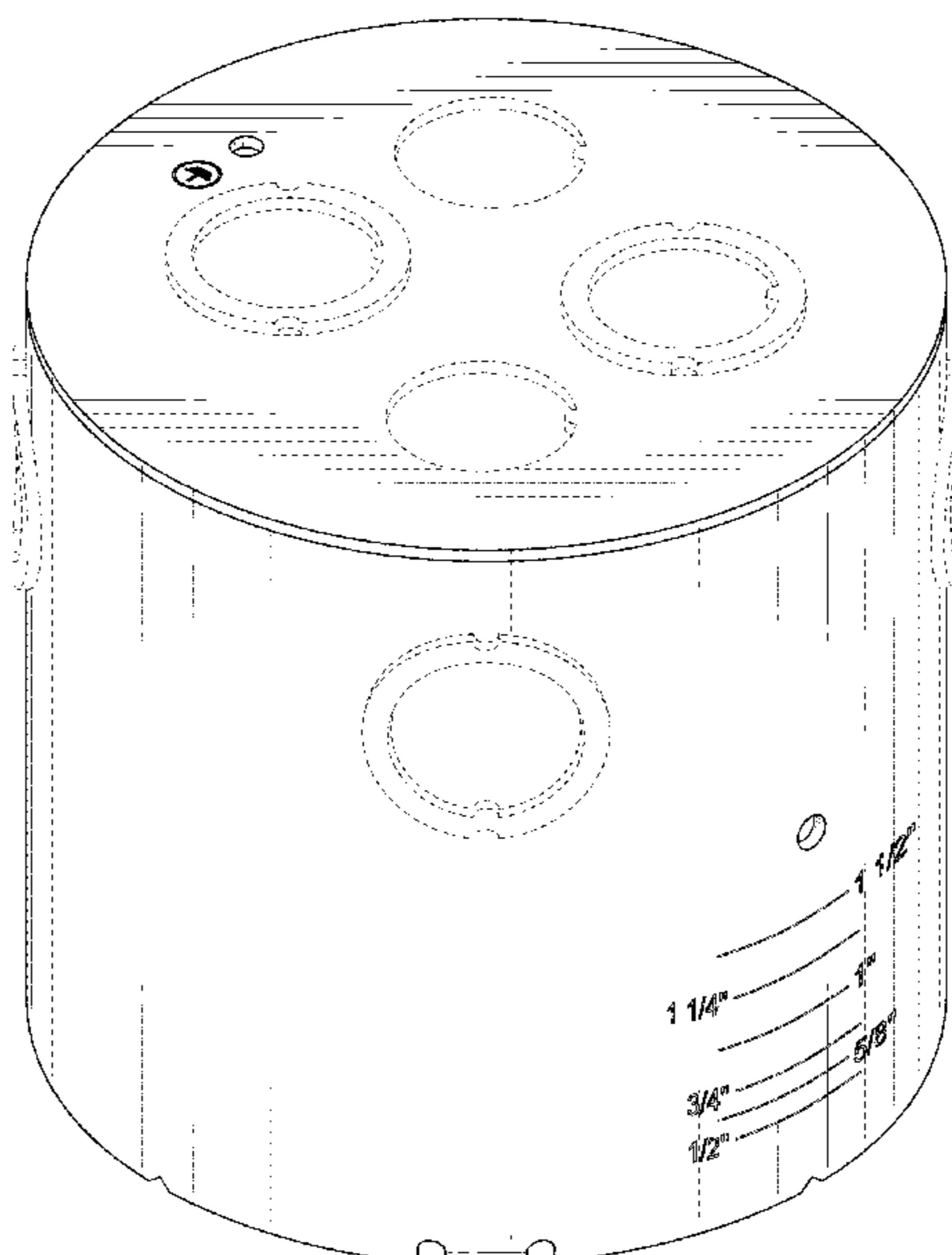
(57) **CLAIM**

What is claimed is the ornamental design for a lighting junction box, as shown and described.

**DESCRIPTION**

FIG. 1 illustrates a top perspective view of a new and ornamental lighting junction box;  
FIG. 2 illustrates a front view thereof;  
FIG. 3 illustrates a rear view thereof;  
FIG. 4 illustrates a right-side view thereof;  
FIG. 5 illustrates a left-side view thereof;  
FIG. 6 illustrates a top view thereof;  
FIG. 7 illustrates a bottom view thereof; and,  
FIG. 8 illustrates a bottom perspective view thereof.  
Broken lines in the drawings depict portions of the lighting junction box that form no part of the claimed design.

**1 Claim, 8 Drawing Sheets**



(56)

**References Cited**

U.S. PATENT DOCUMENTS

9,696,021	B2	7/2017	Wronski	
9,797,562	B2	10/2017	Dabiet	
9,964,266	B2	5/2018	Danesh	
D832,218	S	10/2018	Wronski	
D833,977	S	11/2018	Danesh	
10,139,059	B2	11/2018	Danesh	
D848,375	S	5/2019	Danesh	
10,295,163	B1 *	5/2019	Cohen .....	H02G 3/20
D851,046	S	6/2019	Peng	
10,408,396	B2	9/2019	Wronski	
D864,877	S	10/2019	Danesh	
D892,069	S *	8/2020	Cohen .....	D13/184
D901,398	S *	11/2020	Danesh .....	D13/152
D902,160	S *	11/2020	Cohen .....	D13/152
D902,871	S *	11/2020	Danesh .....	D13/152
D903,605	S *	12/2020	Danesh .....	D13/152
10,876,721	B1 *	12/2020	Cohen .....	H02G 3/125
2003/0006353	A1 *	1/2003	Dinh .....	B60N 2/073 248/343
2015/0233556	A1	8/2015	Danesh	
2016/0348861	A1	12/2016	Bailey	
2017/0138576	A1	5/2017	Peng	
2017/0167672	A1	6/2017	Stauner	
2017/0167699	A1	6/2017	Schubert	
2019/0063701	A1	2/2019	Lotfi	
2020/0182420	A1 *	6/2020	Cohen .....	H02G 3/20

\* cited by examiner

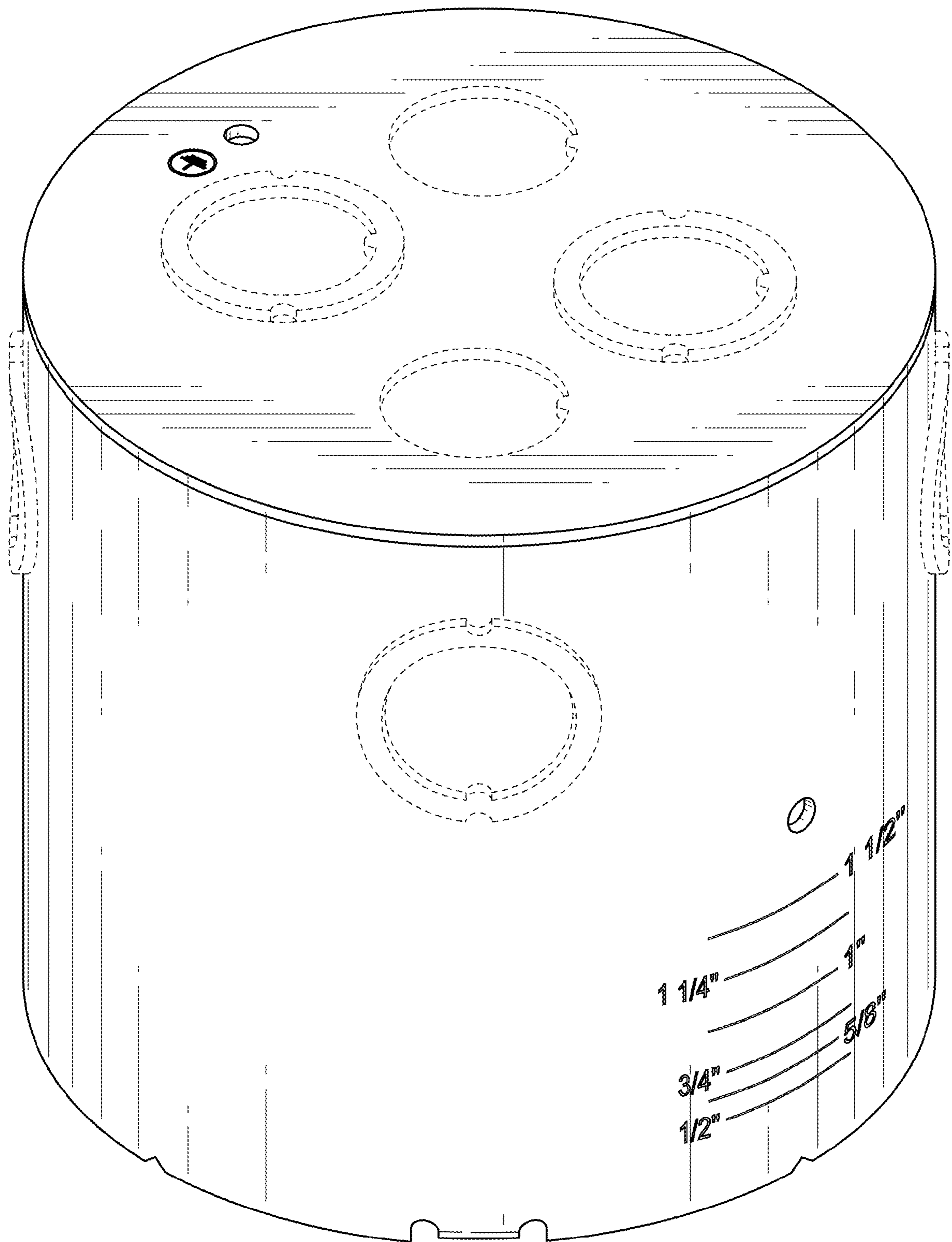


FIG. 1

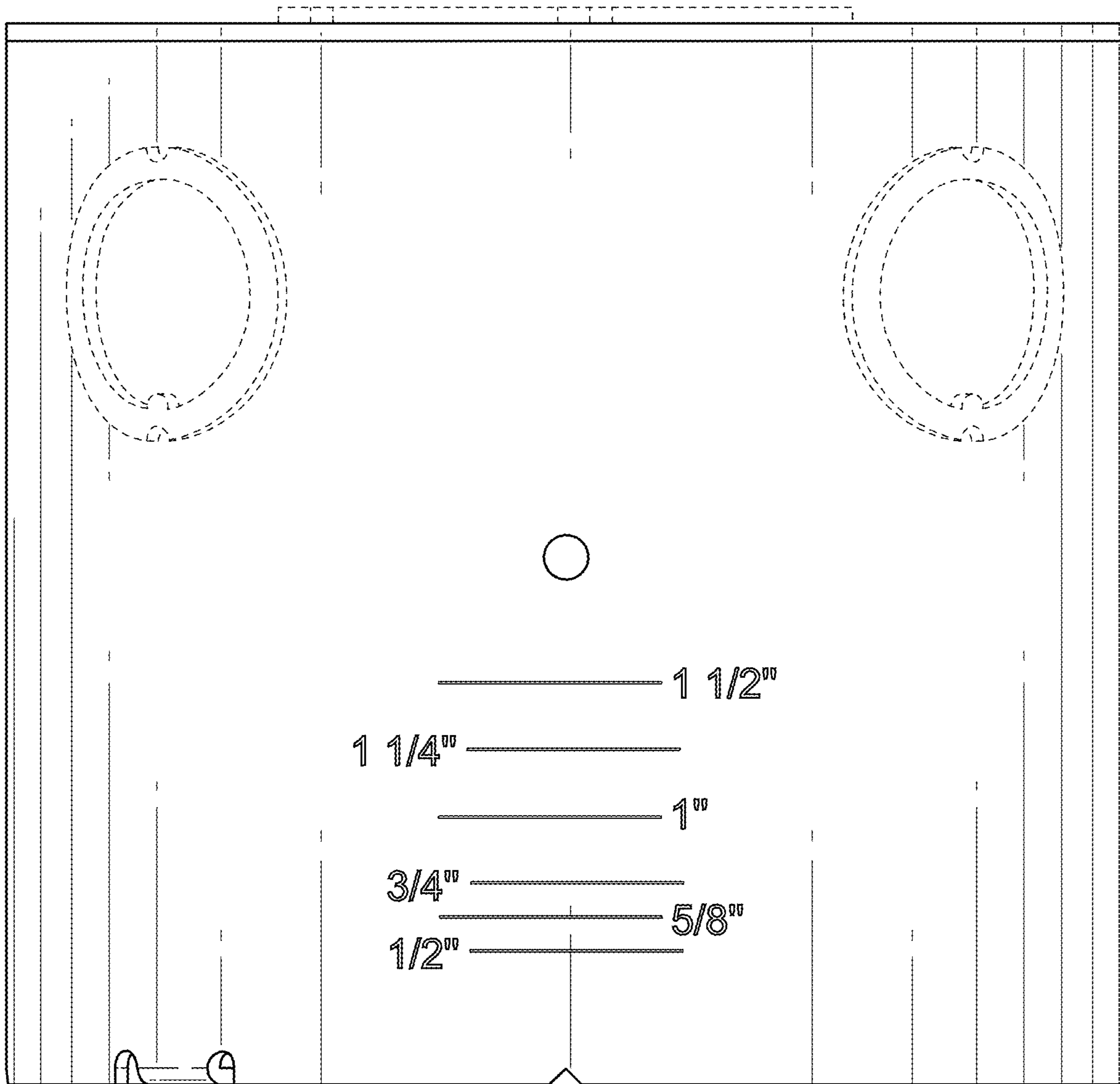


FIG. 2

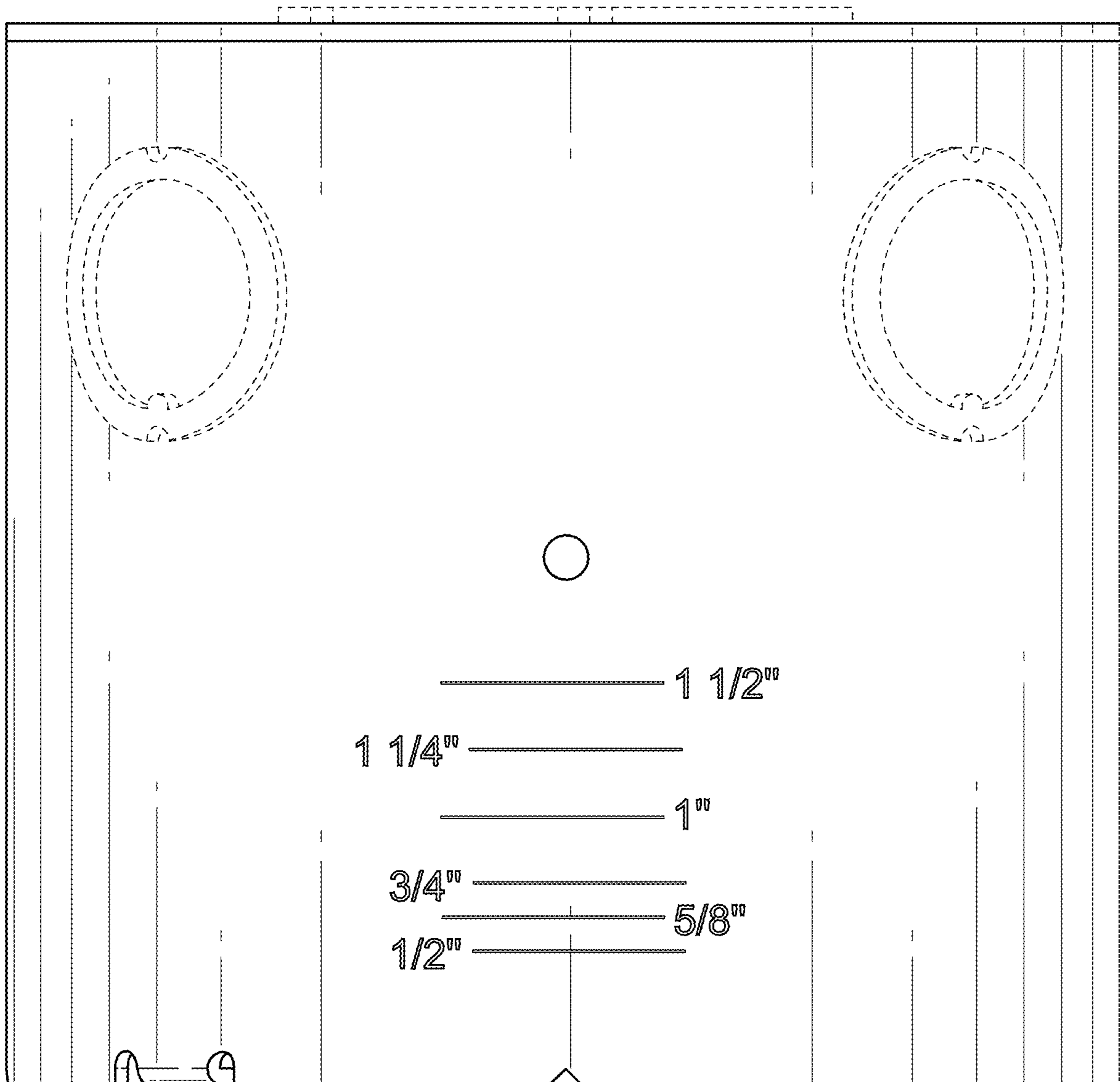


FIG. 3



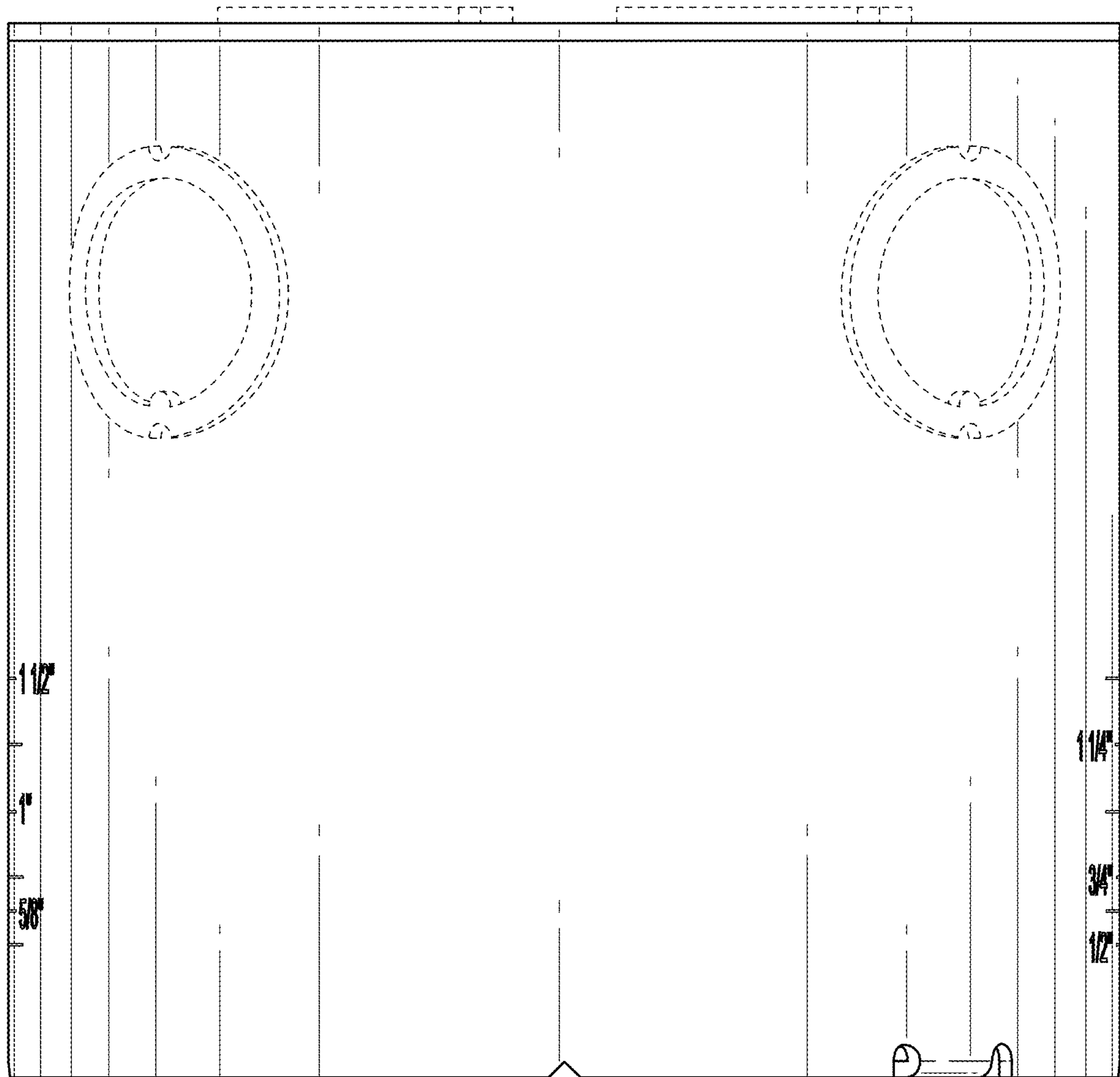


FIG. 4

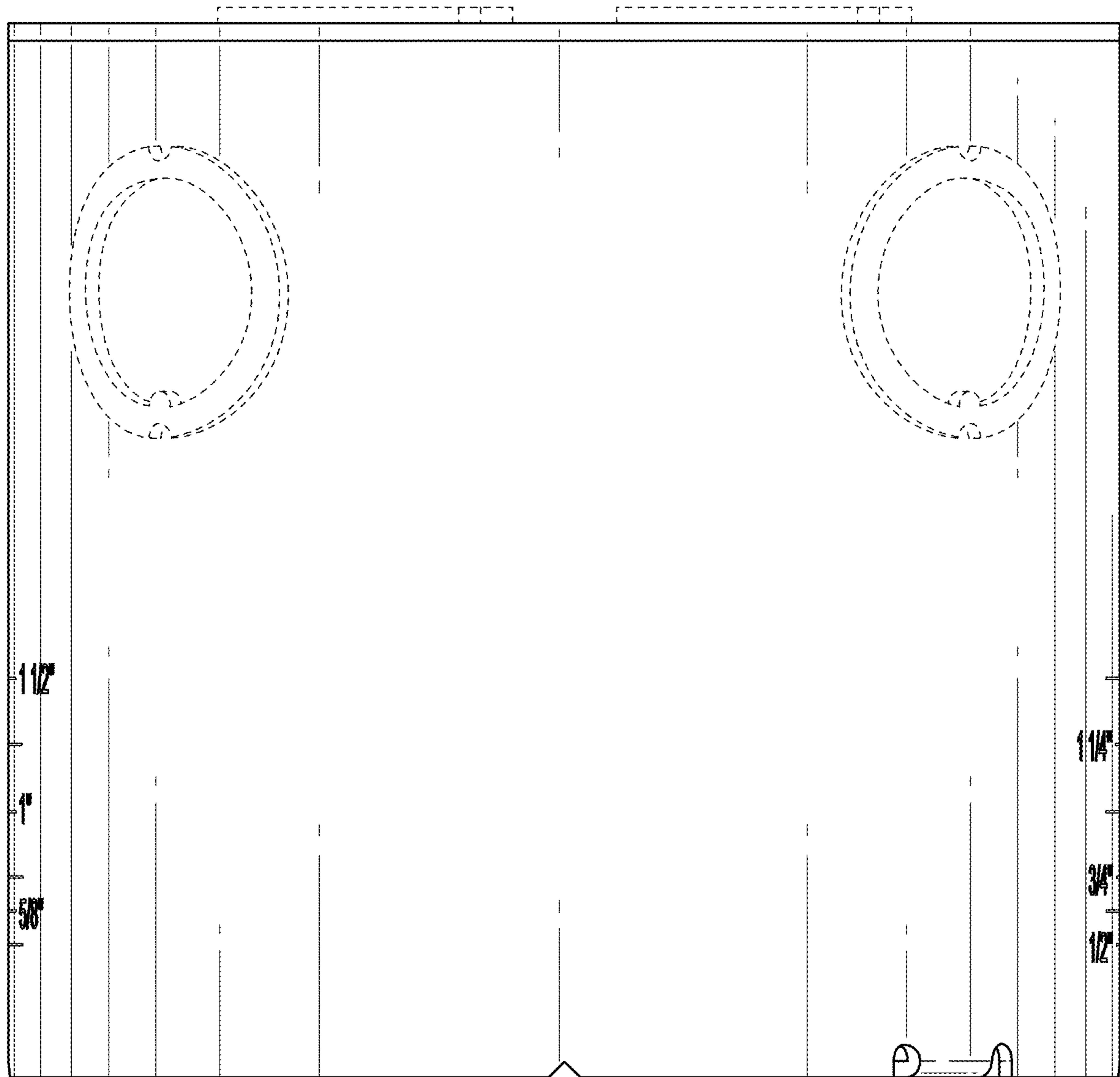


FIG. 5

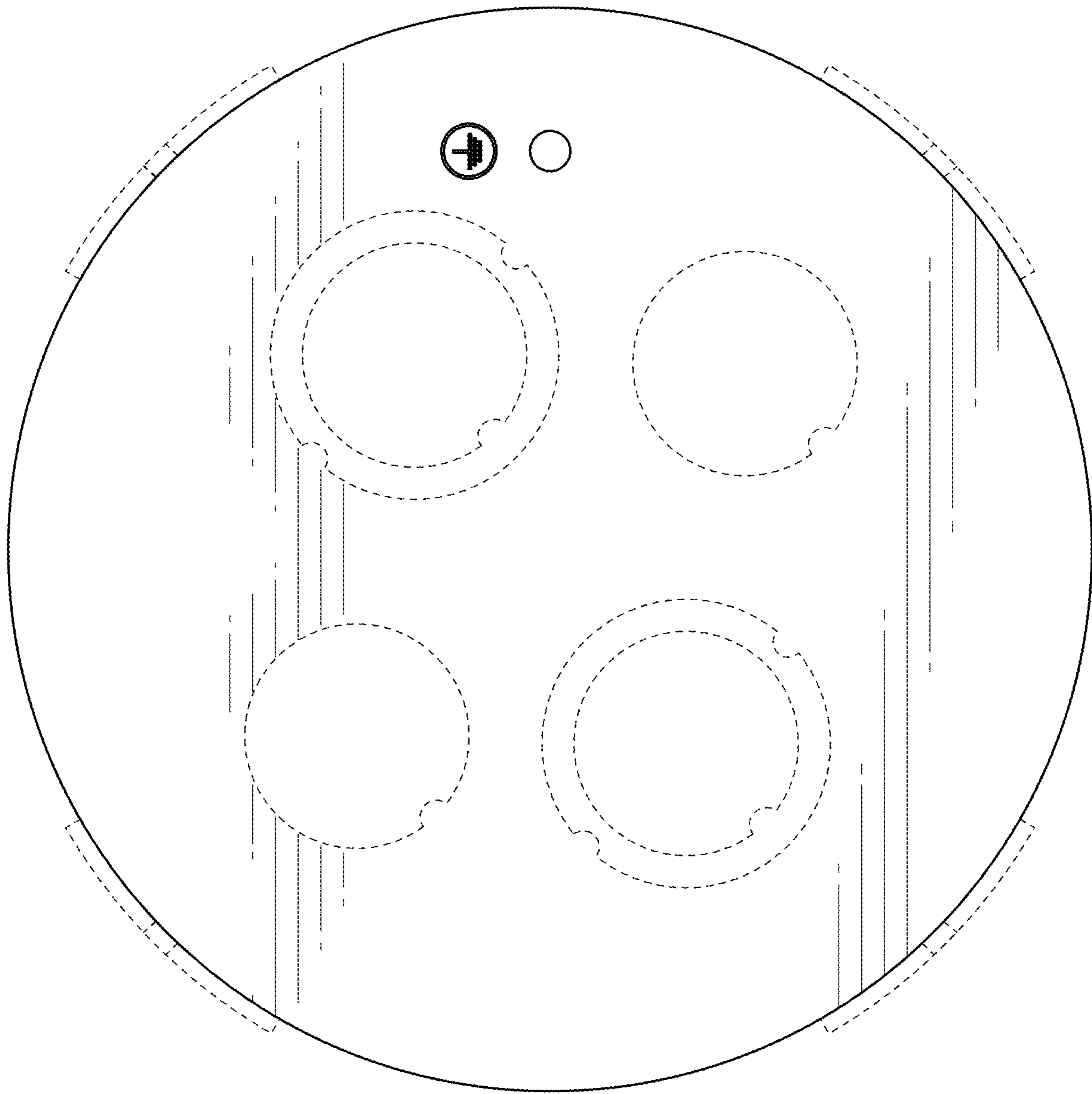


FIG. 6



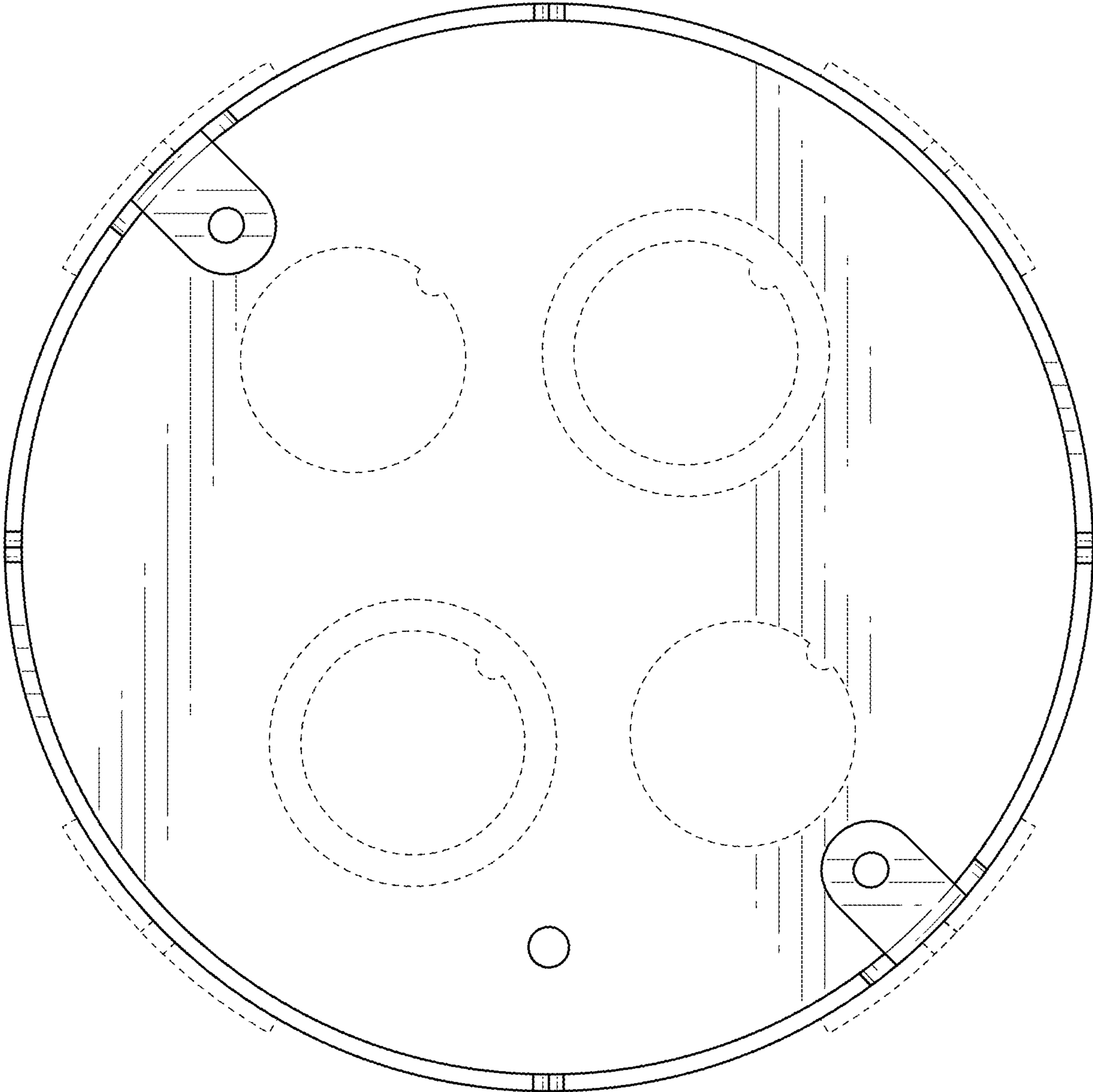


FIG. 7

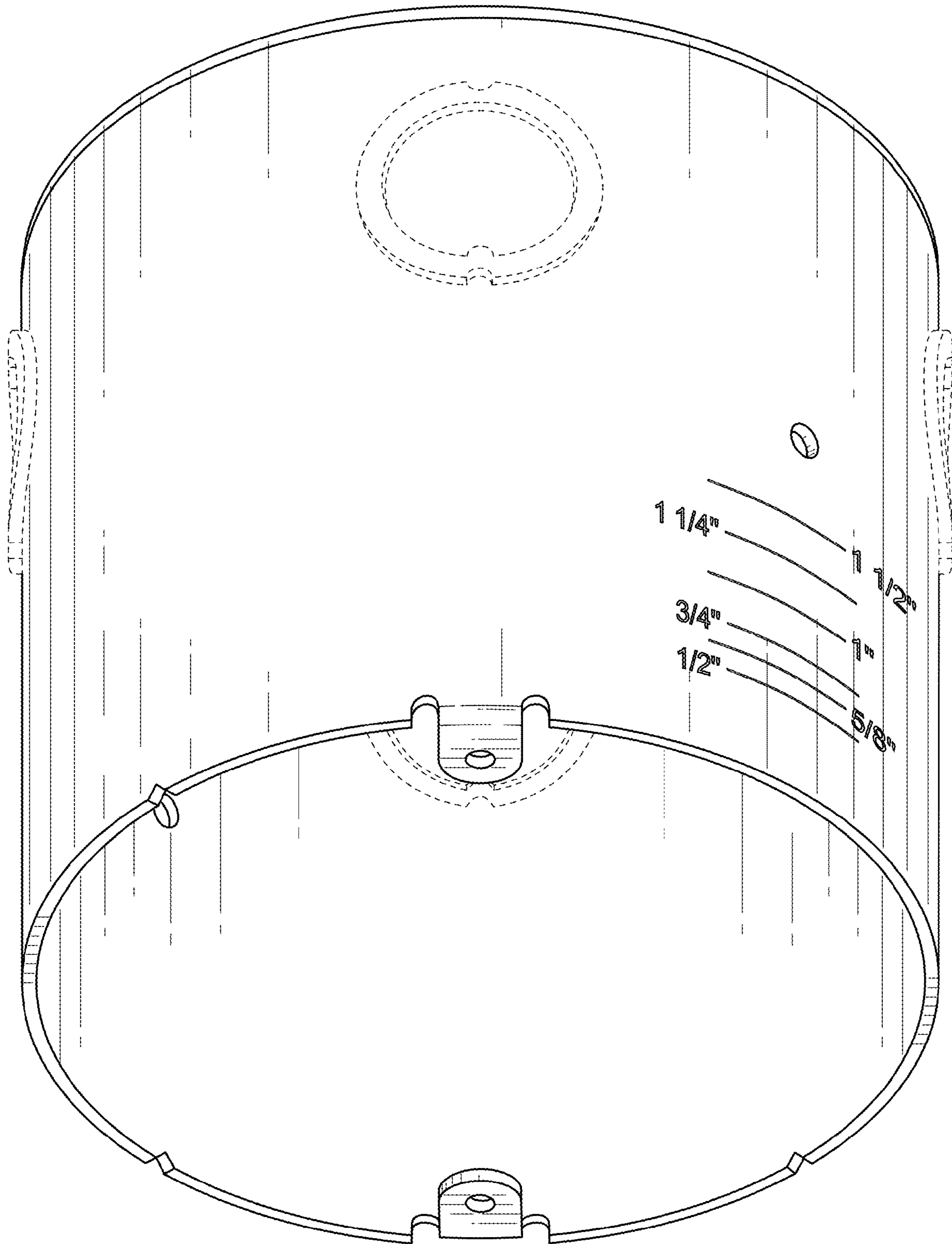


FIG. 8