



US00D927426S

(12) **United States Design Patent** (10) **Patent No.:** **US D927,426 S**  
**Bowman et al.** (45) **Date of Patent:** **\*\* \*Aug. 10, 2021**

(54) **MEDICAL DEVICE CONNECTOR**

(71) Applicant: **Physio-Control, Inc.**, Redmond, WA (US)  
(72) Inventors: **Ryan Bowman**, Redmond, WA (US); **Zack Pahlman**, Redmond, WA (US); **Jeremy Wong**, Redmond, WA (US)  
(73) Assignee: **Physio-Control, Inc.**, Redmond, WA (US)

D395,282 S 6/1998 Rudoy et al.  
D410,625 S \* 6/1999 Kerek ..... D13/133  
D434,377 S 11/2000 Bussett et al.  
D475,014 S 5/2003 Kano  
D523,815 S 6/2006 Lai  
D588,990 S 3/2009 Kok et al.  
D589,444 S 3/2009 Kok et al.  
D589,881 S 4/2009 Kok et al.  
D645,406 S 9/2011 Chartrand et al.  
D668,611 S \* 10/2012 Byrne ..... D13/146  
8,647,147 B2 2/2014 Chartrand et al.  
D730,839 S \* 6/2015 Sasano ..... D13/147  
D743,342 S \* 11/2015 Sasano ..... D13/147

(\* ) Notice: This patent is subject to a terminal disclaimer.

(\*\*) Term: **15 Years**

(21) Appl. No.: **29/708,317**

(22) Filed: **Oct. 4, 2019**

(51) **LOC (13) Cl.** ..... **13-03**

(52) **U.S. Cl.**  
USPC ..... **D13/133; D13/146**

(58) **Field of Classification Search**  
USPC ..... D13/107, 108, 123, 133, 146, 147, 154, D13/184, 199; D24/107, 127, 129, 167, D24/168, 187  
CPC .... A61N 1/39; A61B 5/00; A61B 5/04; A61B 5/0408; A61B 5/0416; A61B 6/03; H01R 9/00; H01R 9/03; H01R 13/00; H01R 13/46; H01R 13/627; H01R 13/64; H01R 13/73; H01R 24/00

See application file for complete search history.

(56) **References Cited**

**U.S. PATENT DOCUMENTS**

2,384,267 A \* 9/1945 Andersen ..... H01R 24/84 439/293  
D250,719 S 1/1979 Jacobson et al.  
D263,794 S 4/1982 Yoshizawa  
D290,458 S 6/1987 O'Leary  
D319,312 S \* 8/1991 Schneider ..... D24/129

(Continued)

**OTHER PUBLICATIONS**

Aedsuperstore.com, "Physio-Control Lifepak 500 Data Transfer USB to Quik-Combo Cable", retrieved on Oct. 7, 2020 from <https://www.aedsuperstore.com/physio-control-lifepak-500-data-transfer-usb-to-quick-combo-cable.html>, Dec. 1, 2010, 3 pages.

(Continued)

*Primary Examiner* — Shawn T Gingrich  
(74) *Attorney, Agent, or Firm* — Lee & Hayes, P.C.

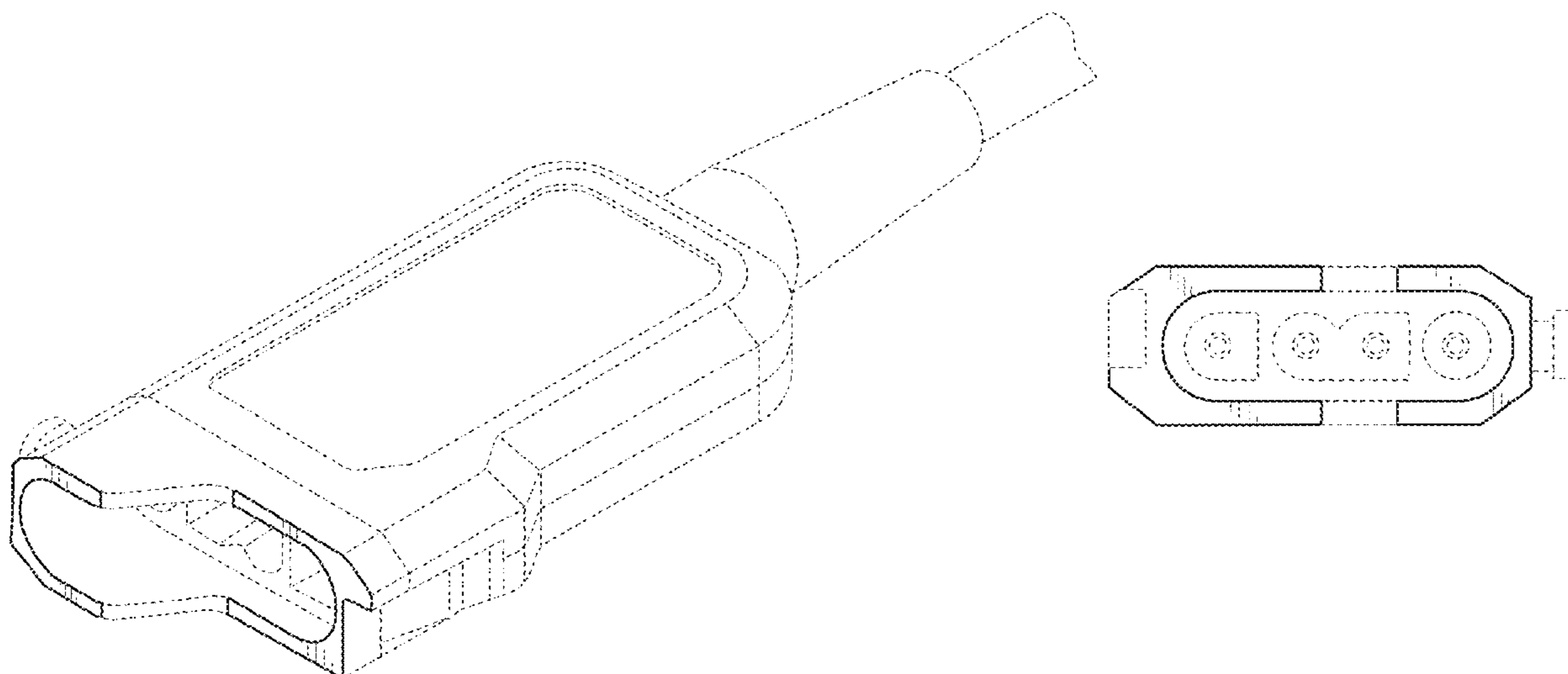
(57) **CLAIM**

The ornamental design for a medical device connector, as shown and described.

**DESCRIPTION**

FIG. 1 is a back perspective view of a medical device connector;  
FIG. 2 is a front view thereof;  
FIG. 3 is a back view thereof;  
FIG. 4 is a top view thereof;  
FIG. 5 is a left side view thereof; and,  
FIG. 6 is a right side view thereof.  
The dashed-lines represent the remainder of the article and do not form part of the claimed design, are directed to environment, and represent unclaimed subject matter.

**1 Claim, 3 Drawing Sheets**



(56)

**References Cited**

## U.S. PATENT DOCUMENTS

D743,906 S \* 11/2015 Sasano ..... D13/147  
D851,595 S \* 6/2019 Chen ..... D13/133  
D864,870 S 10/2019 Payne  
D887,987 S 6/2020 Ganamukhi et al.  
D896,175 S 9/2020 Staffl et al.  
2005/0227529 A1 10/2005 Mrakovich et al.  
2011/0014821 A1 1/2011 Ko  
2012/0178270 A1 7/2012 McElroy et al.  
2014/0073180 A1\* 3/2014 Knight ..... H01R 13/5221  
439/588  
2015/0017841 A1 1/2015 Chen et al.  
2016/0028169 A1 1/2016 Glick et al.  
2018/0159274 A1 6/2018 Eriksson et al.  
2021/0011235 A1\* 1/2021 Wimmer ..... G02B 6/3831

## OTHER PUBLICATIONS

Amazon.com, "Physio-Control 11113-000002 Quik-Combo Test Plug for Testing QC Cable", retrieved on Oct. 7, 2020 from <<https://www.amazon.com/physio-control-11113-000002-quik-combo-testing-cable/dp/B085D4M7B3>>, Nov. 27, 2009, 2 pages.

DHGate.com, "T4 T5 T8 Bracket Light Male and Female Plug Connector", retrieved on Oct. 7, 2020 from <[https://www.dhgate.com/product/t4-t5-t8-bracket-light-male-and-femal-plug/410219373.html#redirect\\_detail=WAP2PC](https://www.dhgate.com/product/t4-t5-t8-bracket-light-male-and-femal-plug/410219373.html#redirect_detail=WAP2PC)>, Nov. 20, 2019.

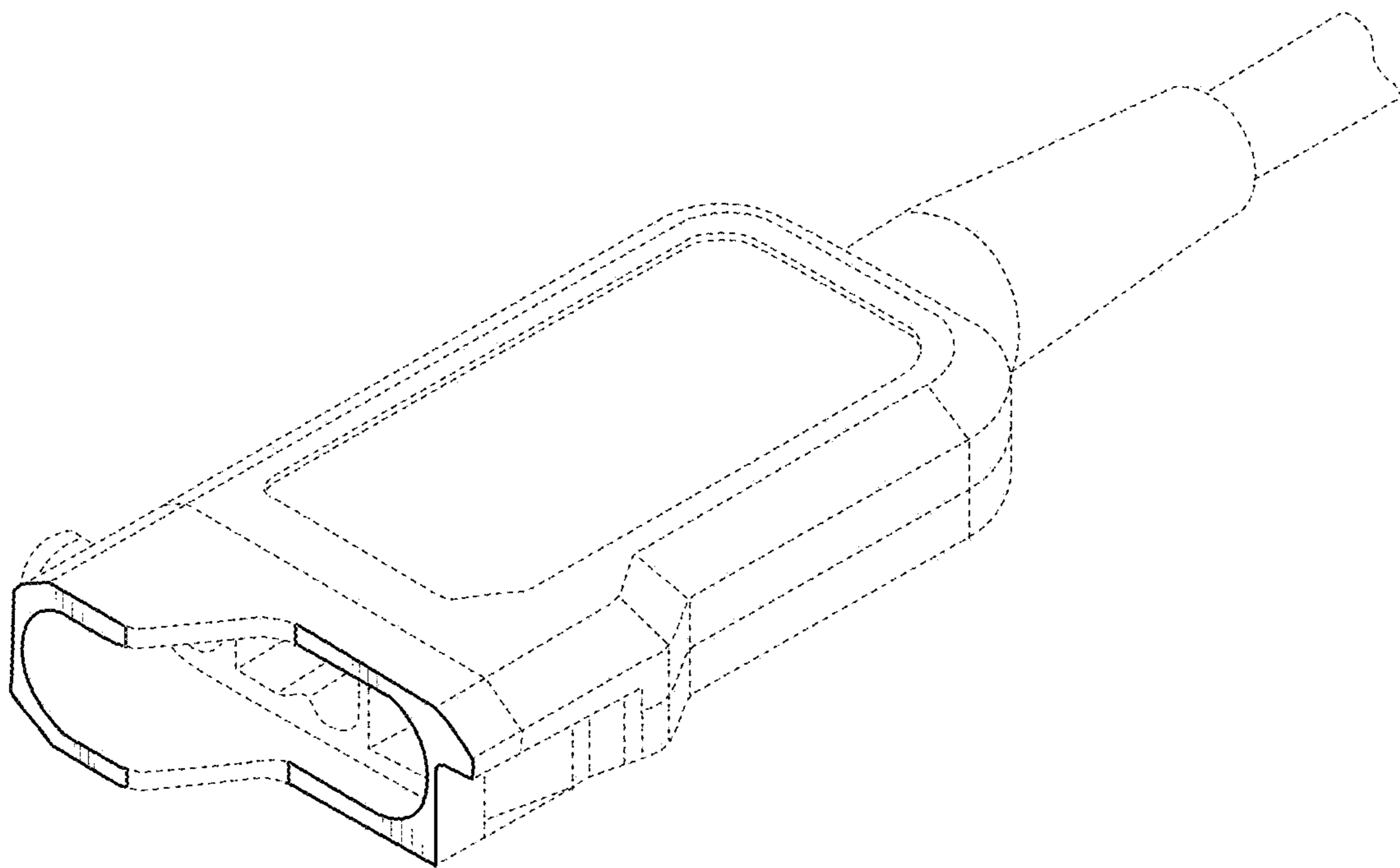
Non Final Office Action dated Oct. 28, 2020 for U.S. Appl. No. 29/708,366, "Medical Device Connector", Bowman, 9 pages.

Non Final Office Action dated Oct. 28, 2020 for U.S. Appl. No. 29/708,367, "Medical Device Connector", Bowman, 7 pages.

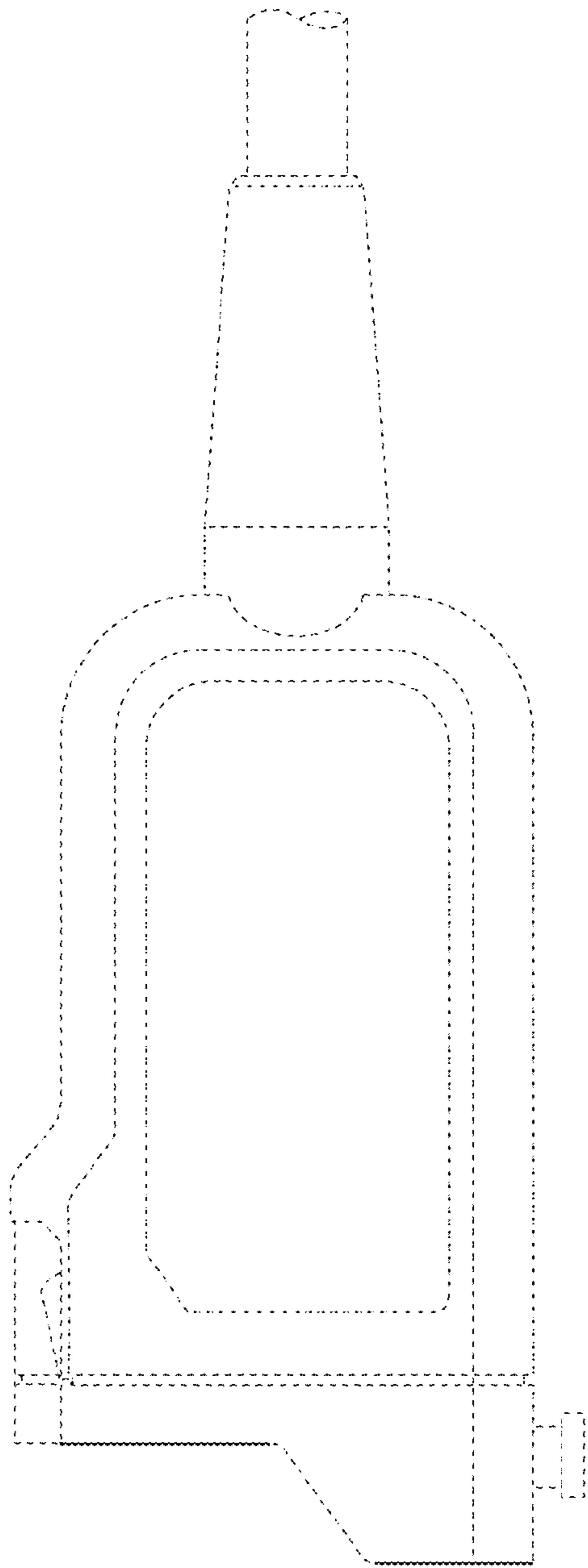
Non Final Office Action dated Dec. 8, 2020 for U.S. Appl. No. 29/708,322, "Medical Device Connector", Bowman, 10 pages.

Non Final Office Action dated Dec. 8, 2020 for U.S. Appl. No. 29/708,355, "Medical Device Connector", Bowman, 8 pages.

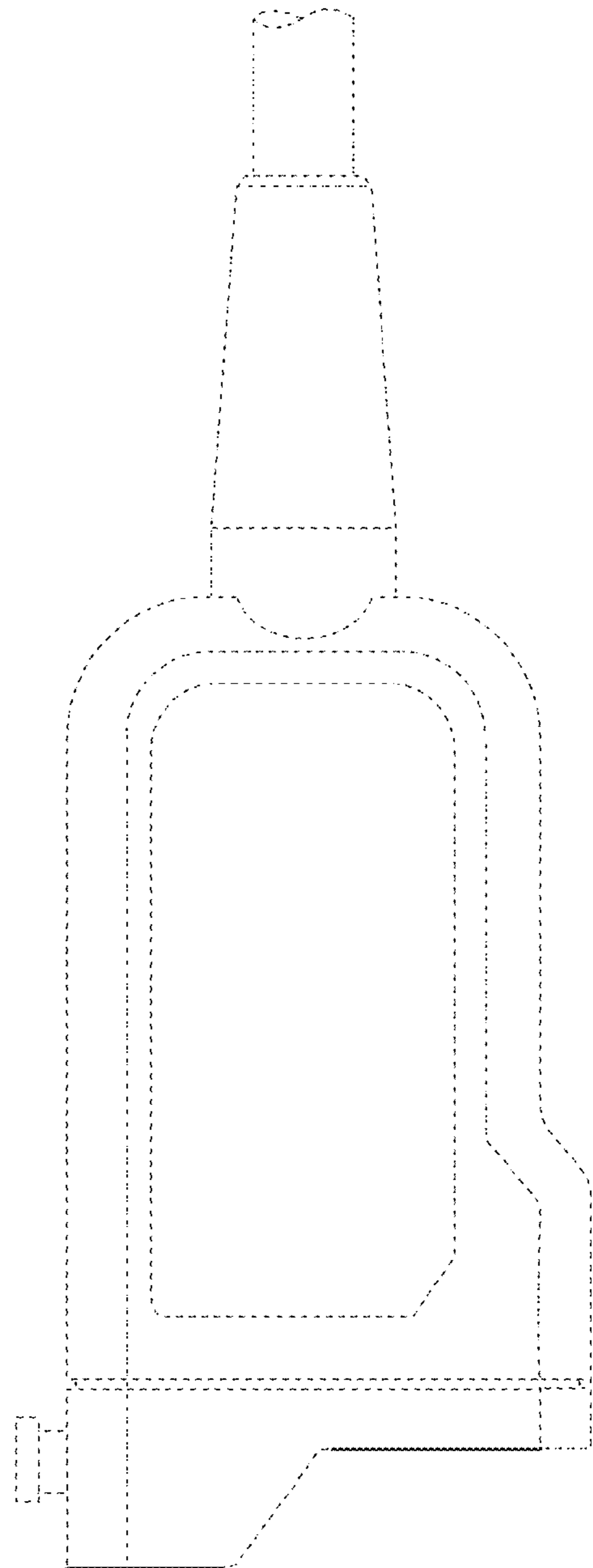
\* cited by examiner



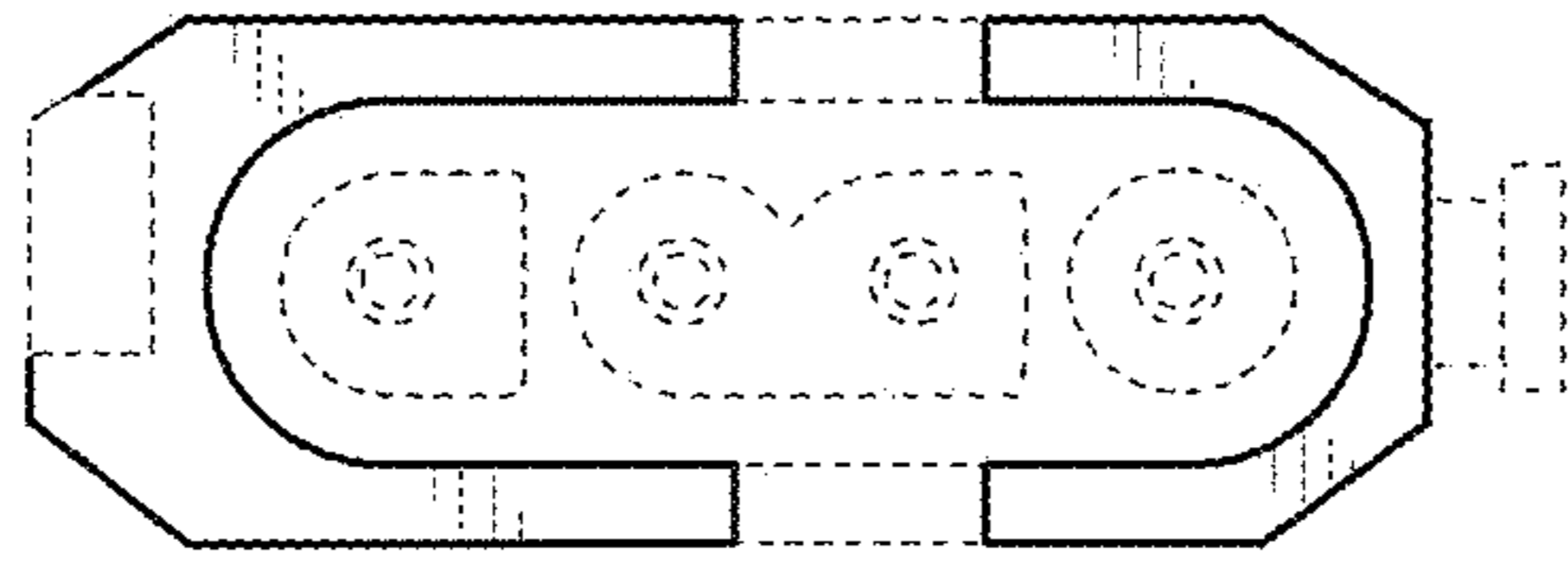
**FIG. 1**



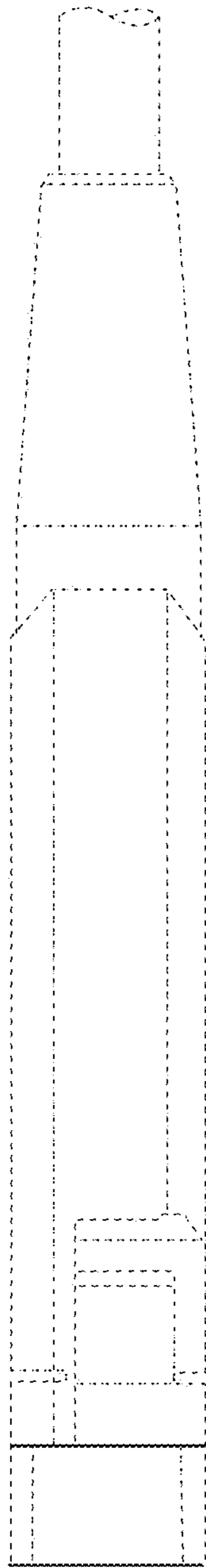
**FIG. 2**



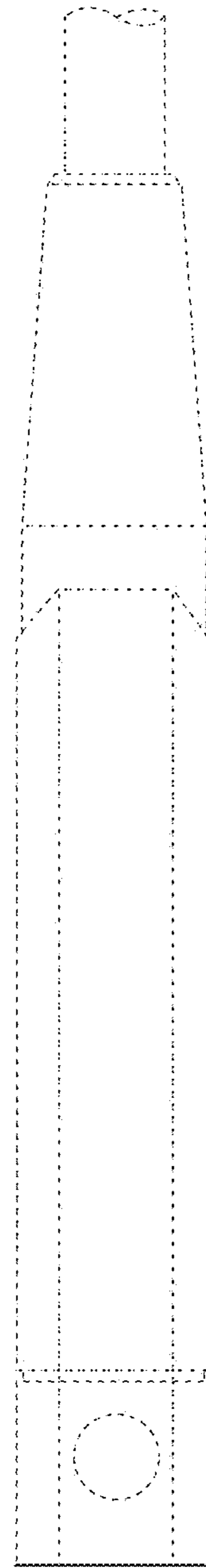
**FIG. 3**



**FIG. 4**



**FIG. 5**



**FIG. 6**