



US00D927425S

(12) **United States Design Patent** (10) **Patent No.:** **US D927,425 S**  
**Bowman et al.** (45) **Date of Patent:** **\*\* \*Aug. 10, 2021**

(54) **MEDICAL DEVICE CONNECTOR**

(71) Applicant: **Physio-Control, Inc.**, Redmond, WA (US)

(72) Inventors: **Ryan Bowman**, Redmond, WA (US);  
**Zack Pahlman**, Redmond, WA (US);  
**Jeremy Wong**, Redmond, WA (US)

(73) Assignee: **Physio-Control, Inc.**, Redmond, WA (US)

(\* ) Notice: This patent is subject to a terminal disclaimer.

(\*\*) Term: **15 Years**

(21) Appl. No.: **29/708,314**

(22) Filed: **Oct. 4, 2019**

(51) **LOC (13) Cl.** ..... **13-03**

(52) **U.S. Cl.**  
USPC ..... **D13/133; D13/146**

(58) **Field of Classification Search**  
USPC ..... D13/107, 108, 123, 133, 146, 147, 154,  
D13/184, 199; D24/107, 127, 129, 167,  
D24/168, 187  
CPC .... A61N 1/39; A61B 5/00; A61B 5/04; A61B  
5/0408; A61B 5/0416; A61B 6/03; H01R  
9/00; H01R 9/03; H01R 13/00; H01R  
13/46; H01R 13/627; H01R 13/64; H01R  
13/73; H01R 24/00  
See application file for complete search history.

(56) **References Cited**

**U.S. PATENT DOCUMENTS**

- 2,384,267 A \* 9/1945 Andersen ..... H01R 24/84  
439/293
- D319,312 S \* 8/1991 Schneider ..... D24/129
- D410,625 S \* 6/1999 Kerek ..... D13/133
- D668,611 S \* 10/2012 Byrne ..... D13/146

- D730,839 S \* 6/2015 Sasano ..... D13/147
- D743,342 S \* 11/2015 Sasano ..... D13/147
- D743,906 S \* 11/2015 Sasano ..... D13/147
- D851,595 S \* 6/2019 Chen ..... D13/133
- 2014/0073180 A1\* 3/2014 Knight ..... H01R 13/5221  
439/588
- 2021/0011235 A1\* 1/2021 Wimmer ..... G02B 6/3831

**OTHER PUBLICATIONS**

Physio-Control LIFEPAK® 12/15/20/1000 Quik-Combo 3-Lead Patient Simulator by Symbio, dated Nov. 7, 2010, [online], [site visited Nov. 3, 2020]. Available from Internet, URL: <https://www.aedsuperstore.com/physio-control-lifepak-12-20-1000-quik-combo-3-lead-patient-simulator.html> (Year: 2010).\*

\* cited by examiner

*Primary Examiner* — Shawn T Gingrich

(74) *Attorney, Agent, or Firm* — Lee & Hayes, P.C.

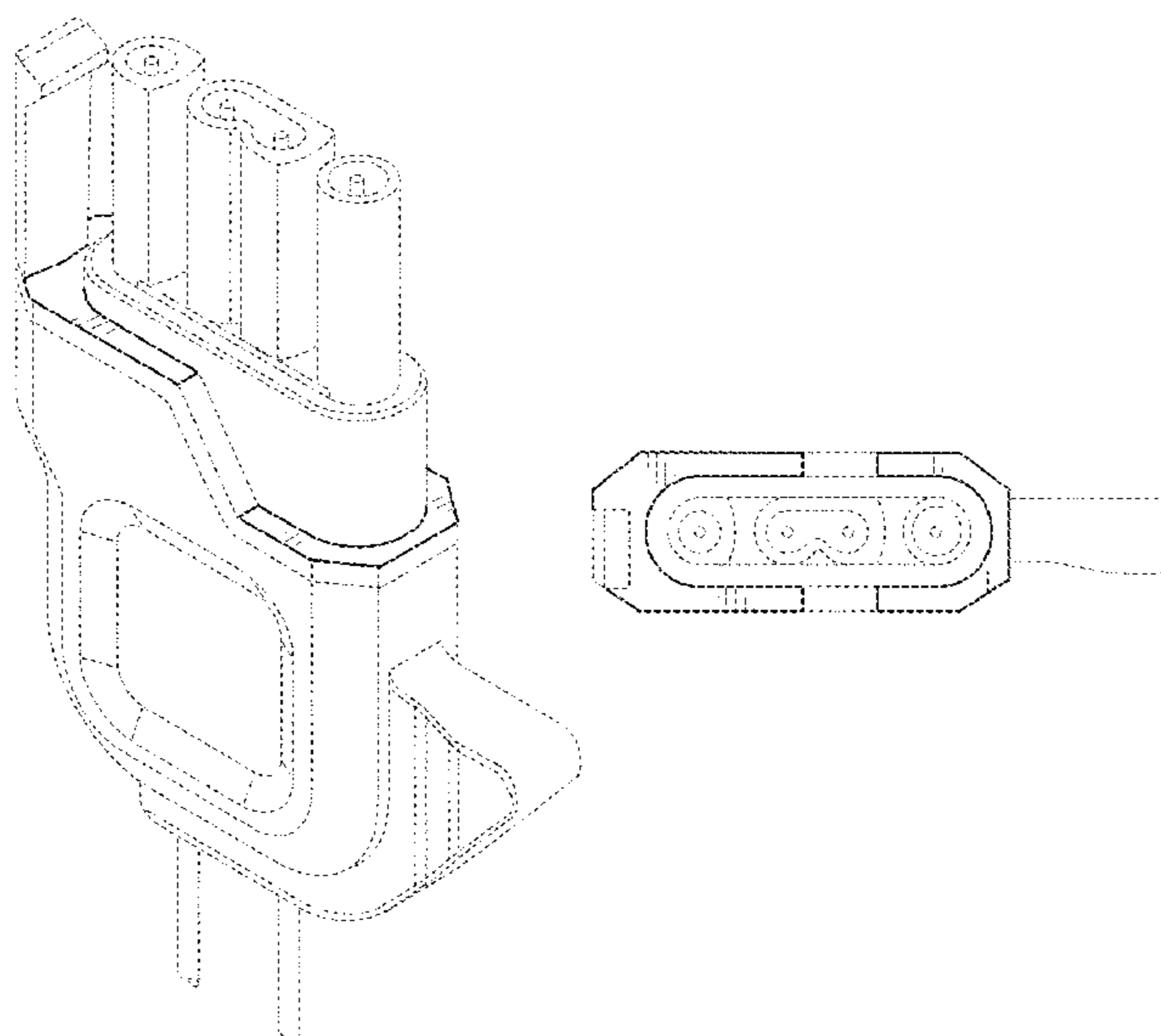
(57) **CLAIM**

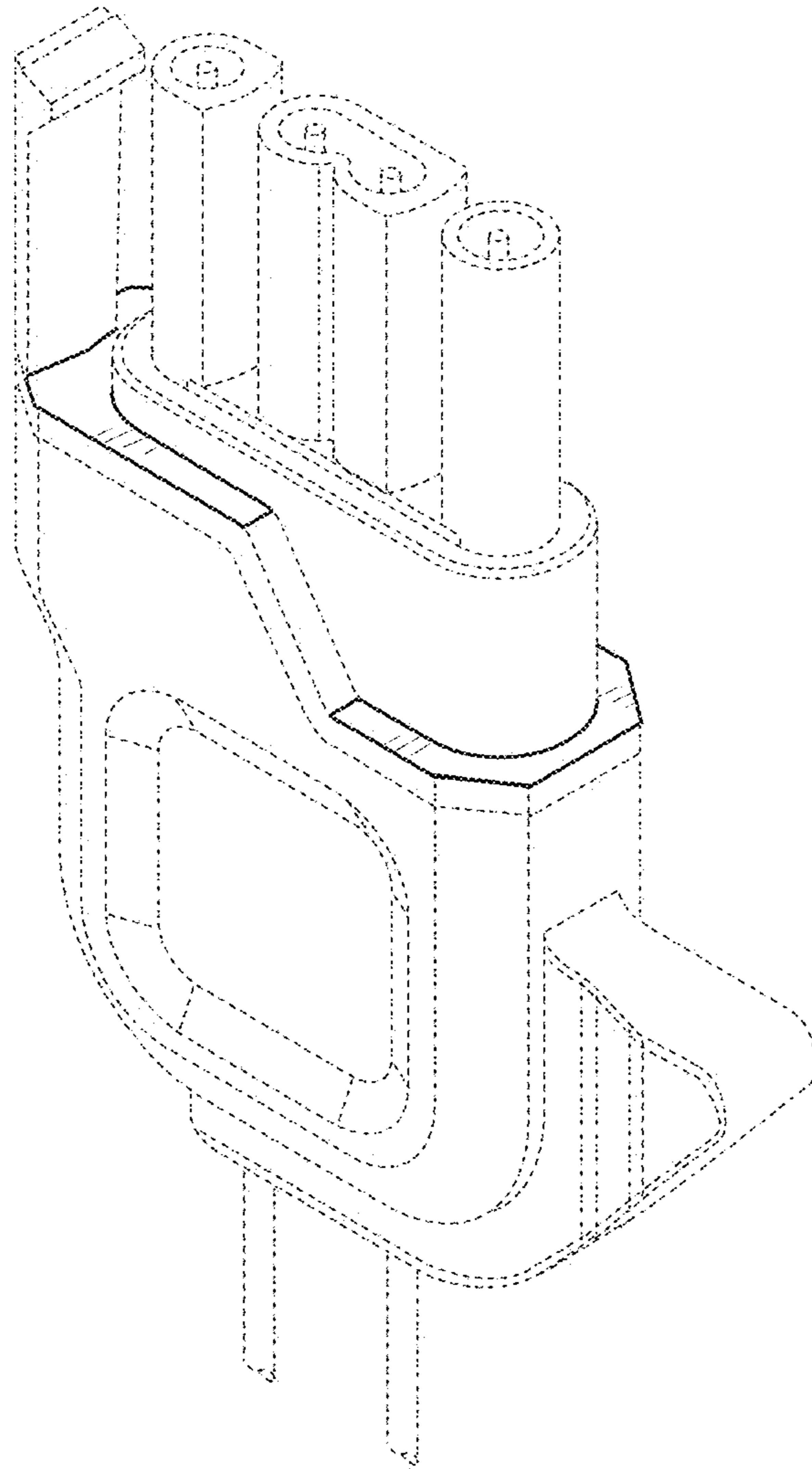
The ornamental design for a medical device connector, as shown and described.

**DESCRIPTION**

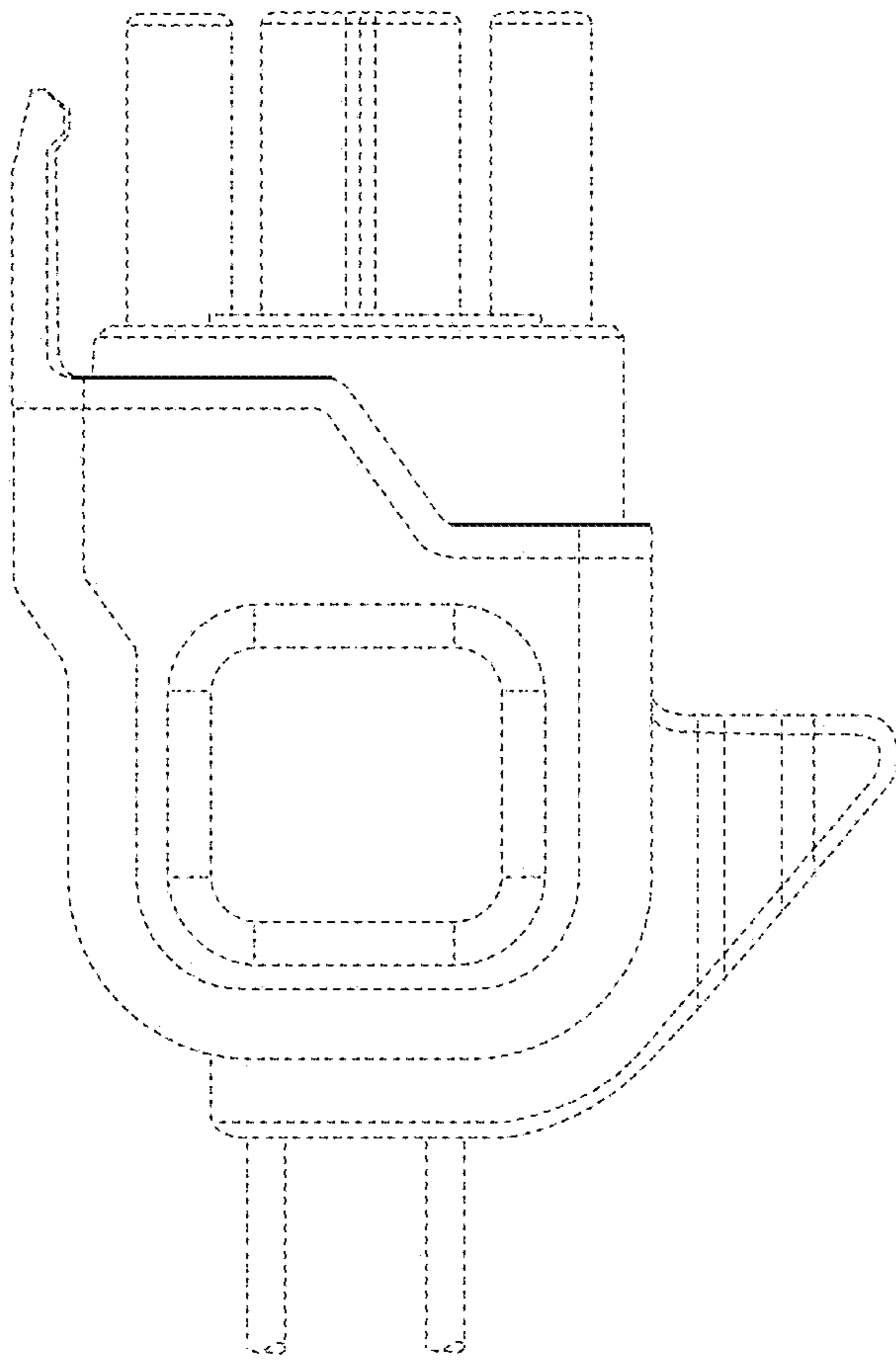
FIG. 1 is a top perspective view of a medical device connector;  
FIG. 2 is a front view thereof;  
FIG. 3 is a back view thereof;  
FIG. 4 is a top view thereof;  
FIG. 5 is a left side view thereof;  
FIG. 6 is a right side view thereof;  
FIG. 7 is a perspective view thereof;  
FIG. 8 is a perspective view thereof;  
FIG. 9 is a perspective view thereof; and,  
FIG. 10 is a perspective view thereof.  
The dashed-lines represent the remainder of the article and do not form part of the claimed design, are directed to environment, and represent unclaimed subject matter.

**1 Claim, 7 Drawing Sheets**

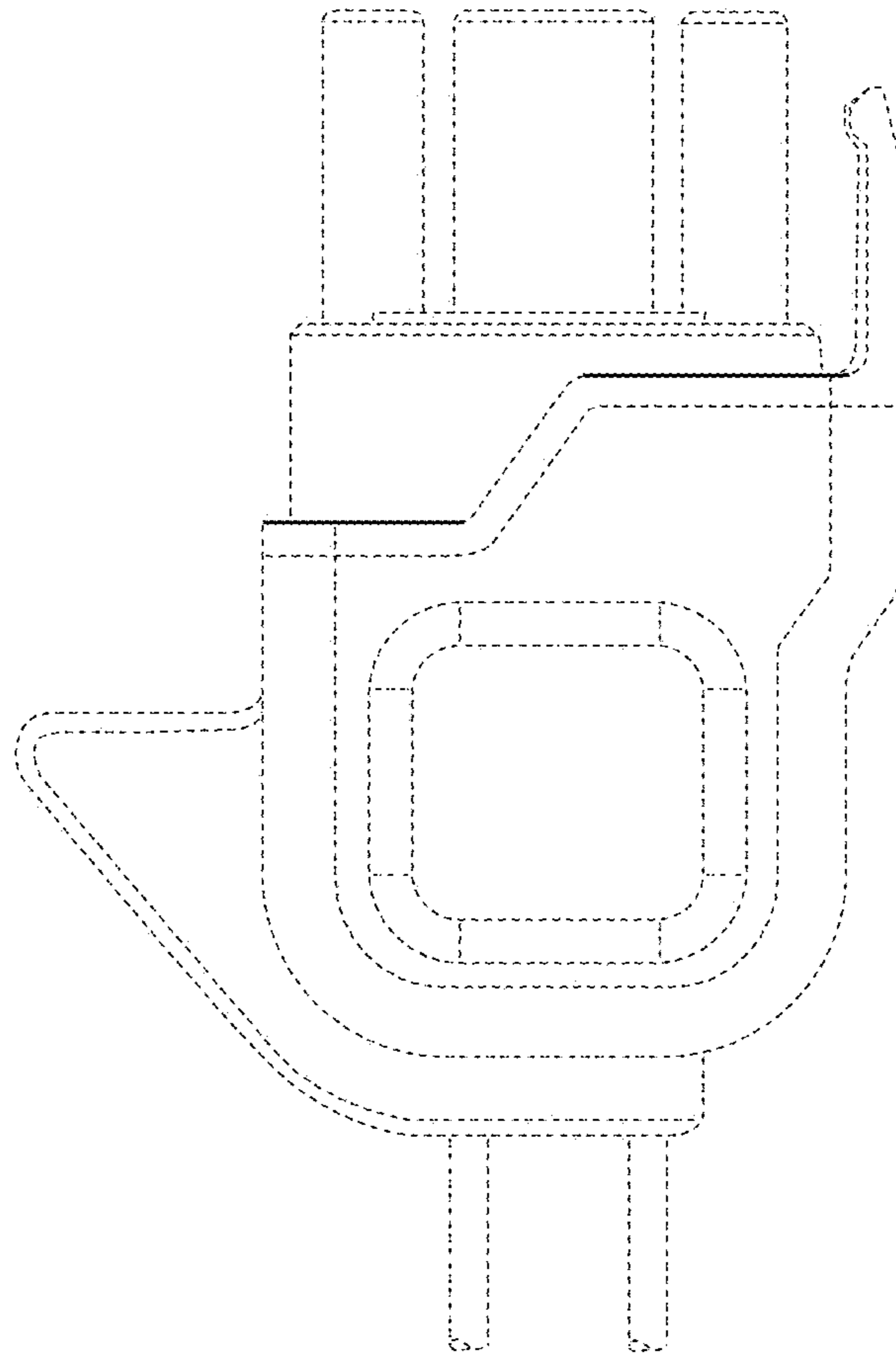




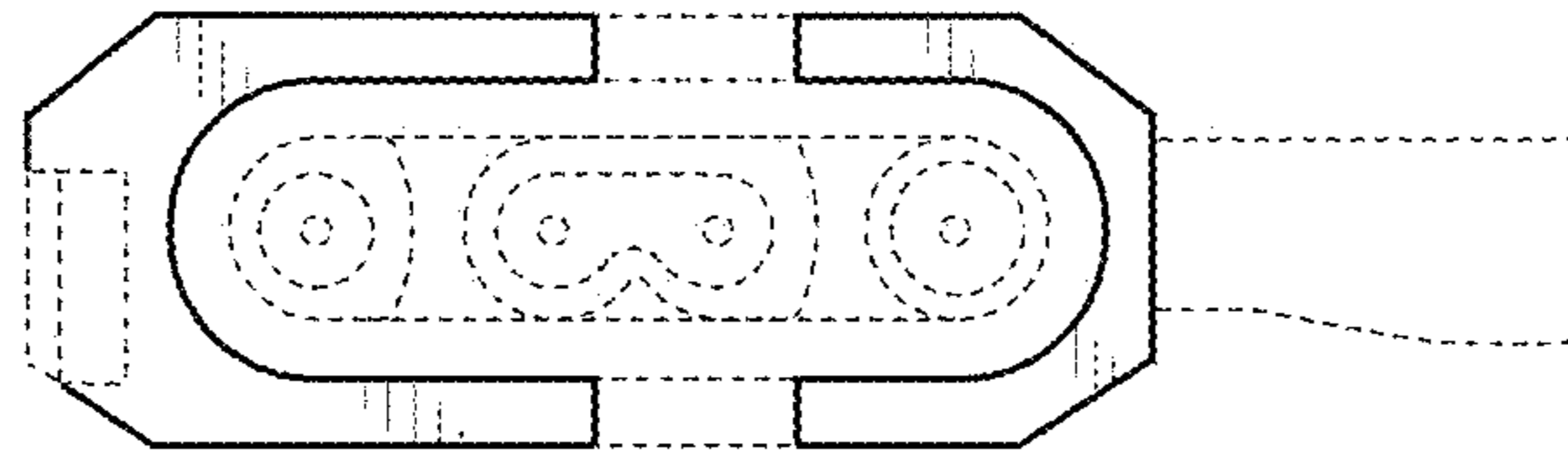
**FIG. 1**



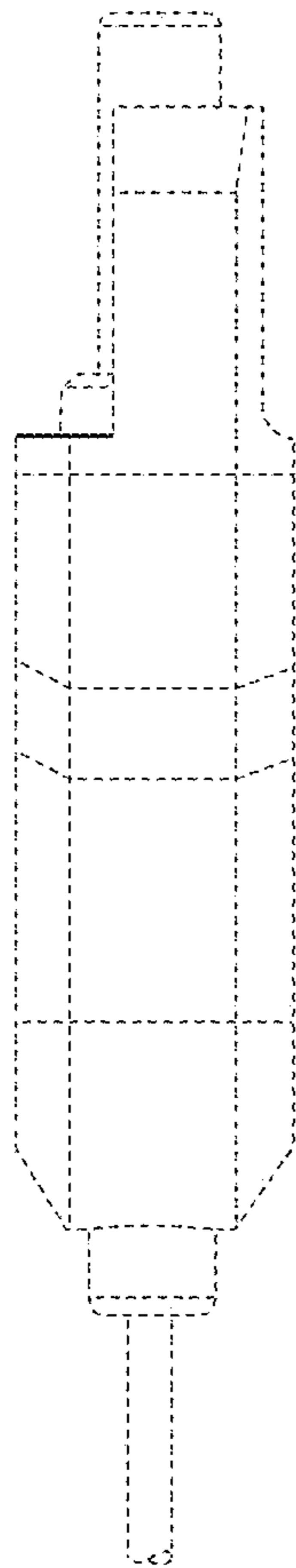
**FIG. 2**



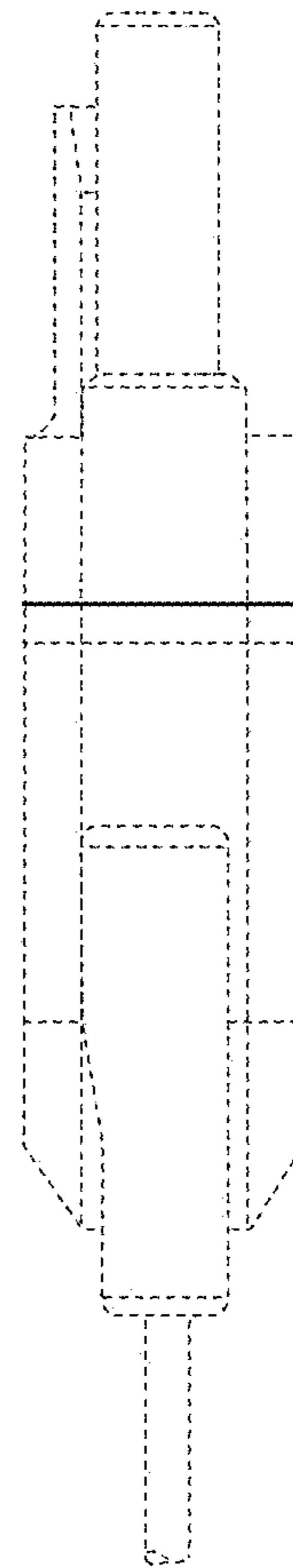
**FIG. 3**



**FIG. 4**



**FIG. 5**



**FIG. 6**

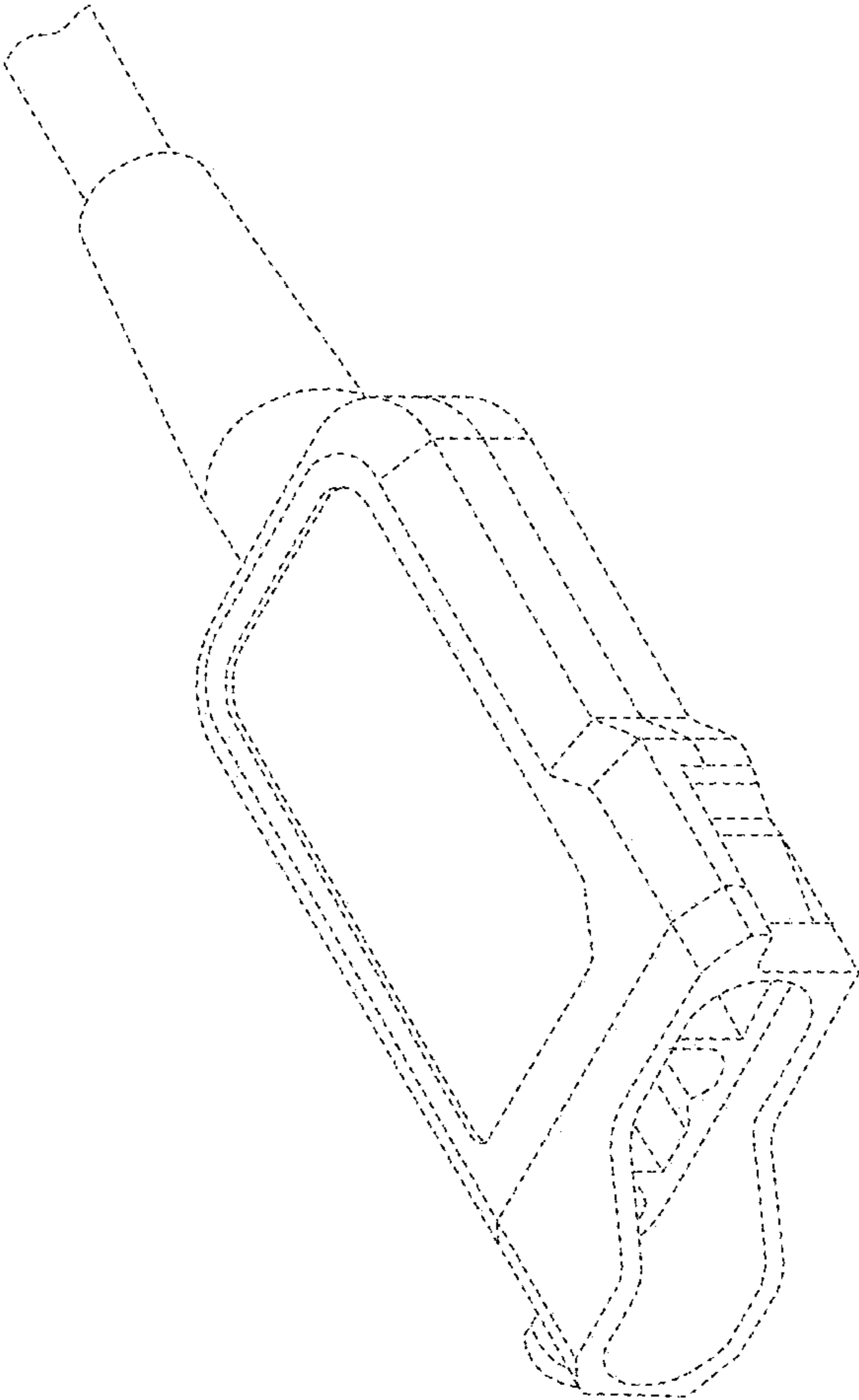
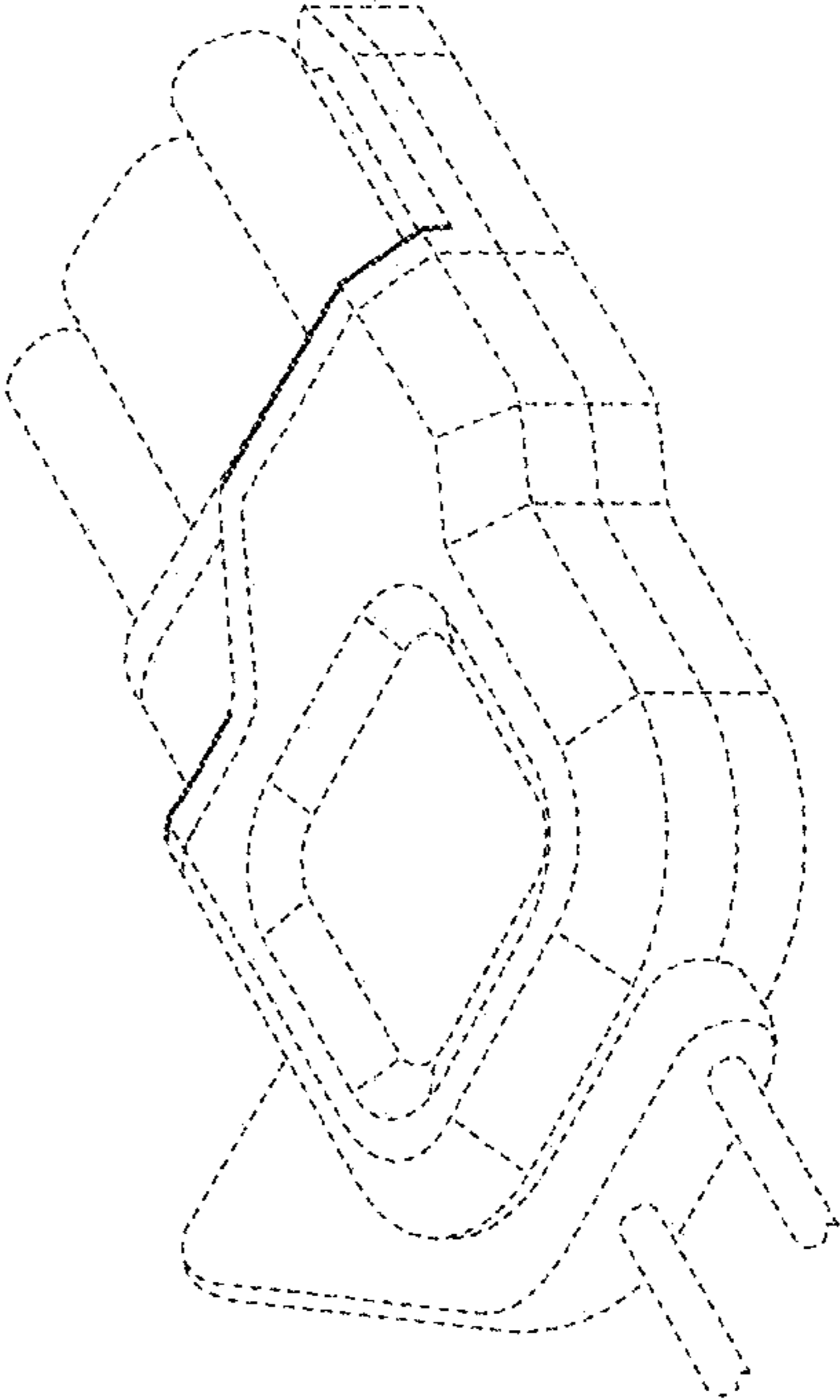


FIG. 7



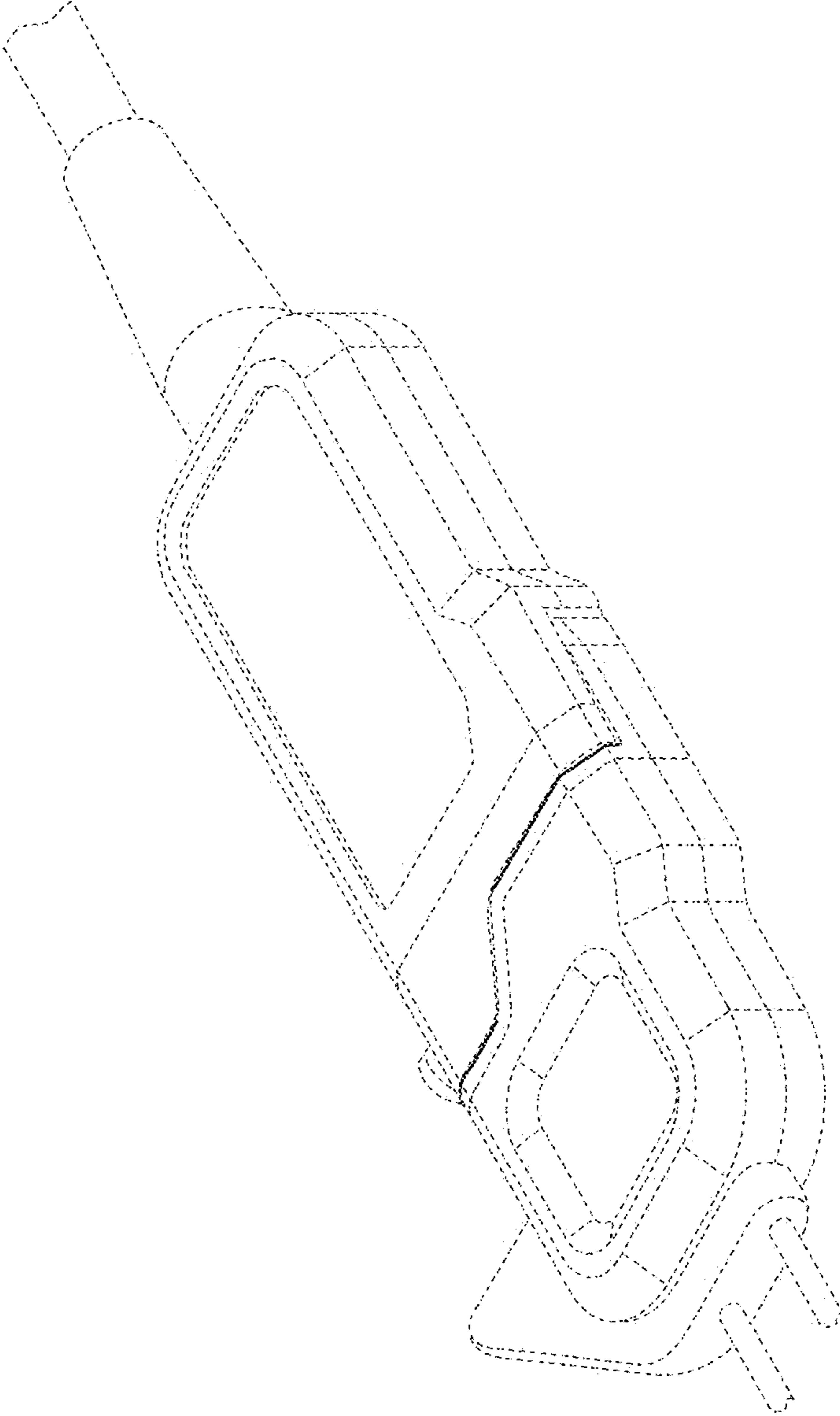


FIG. 8

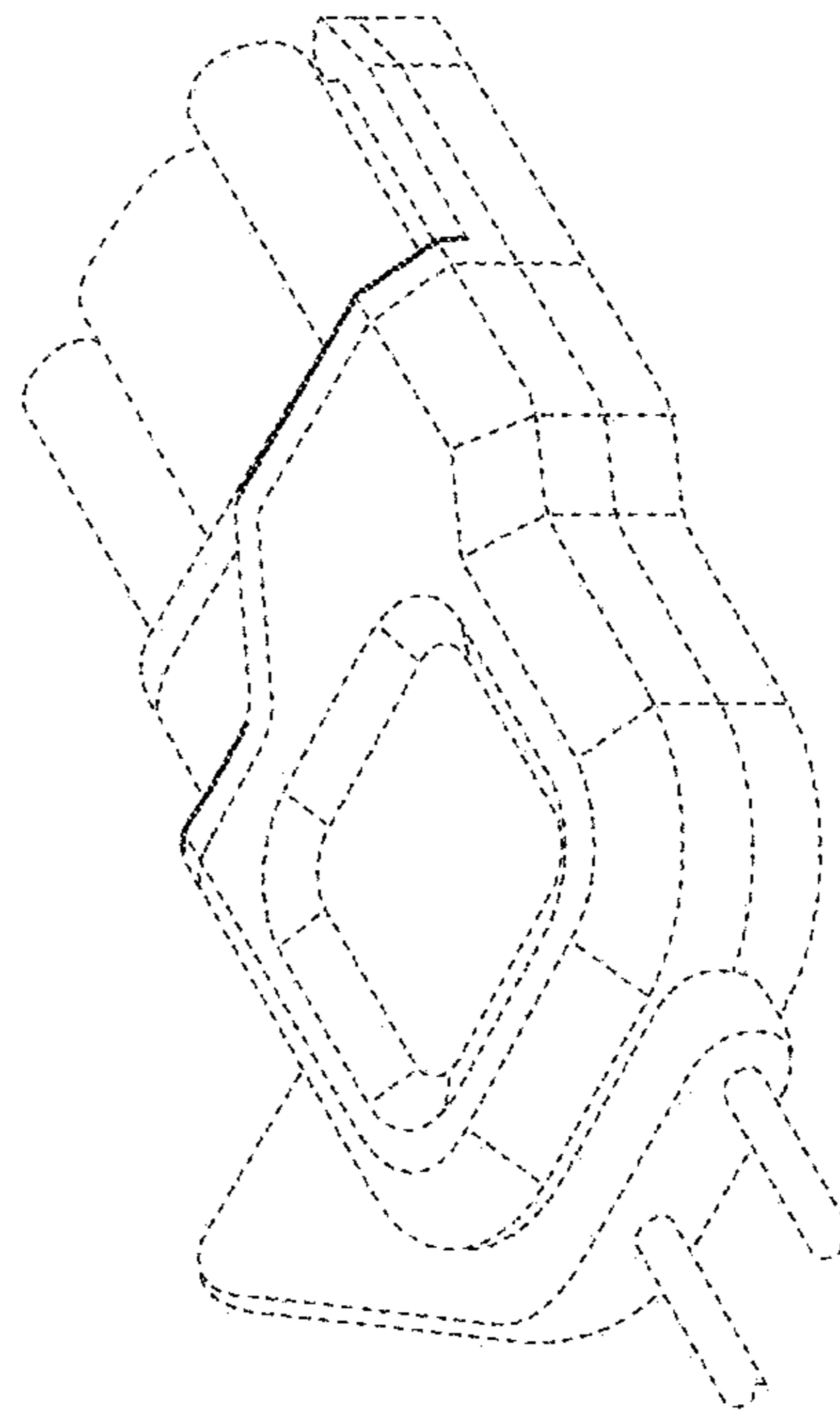
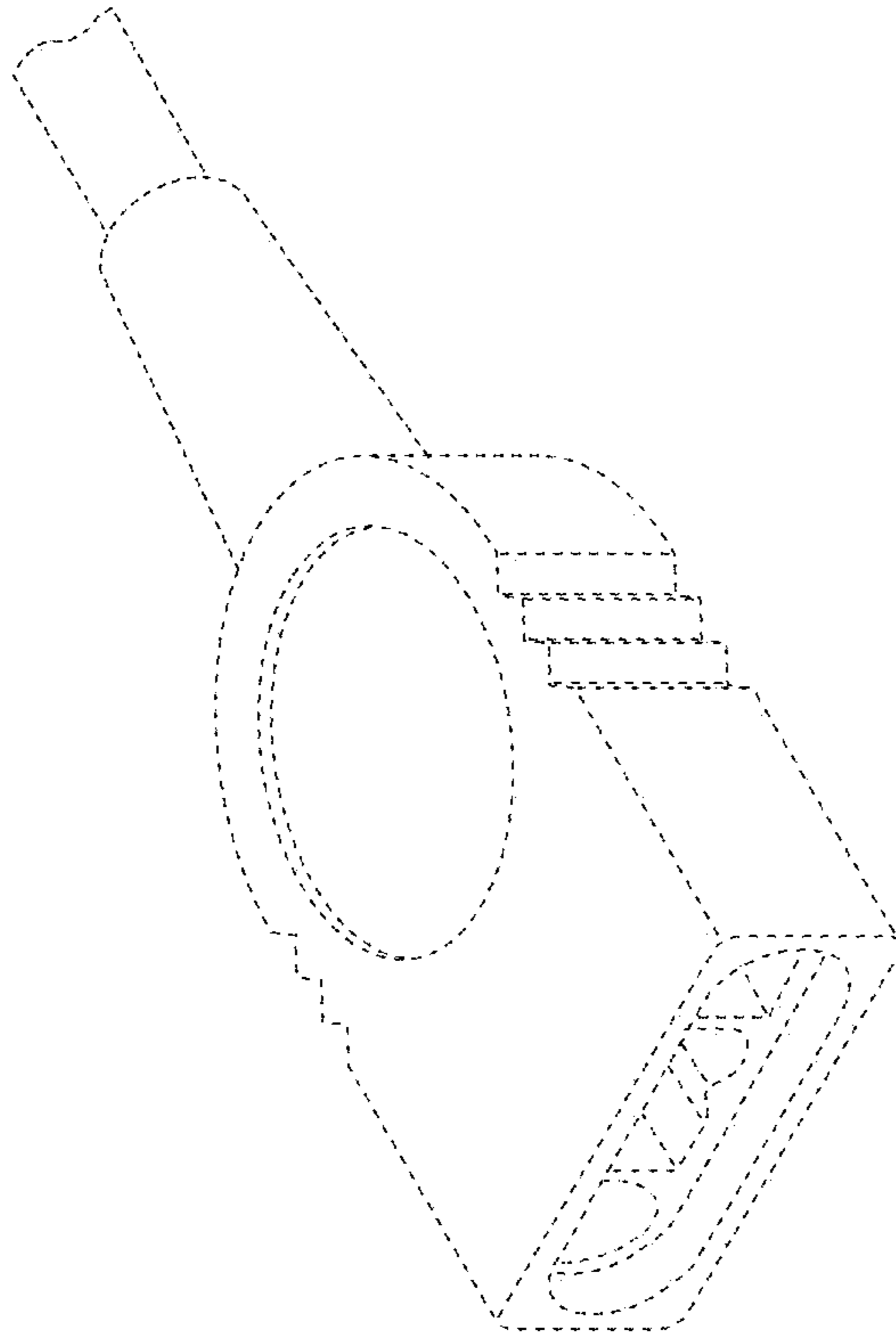


FIG. 9

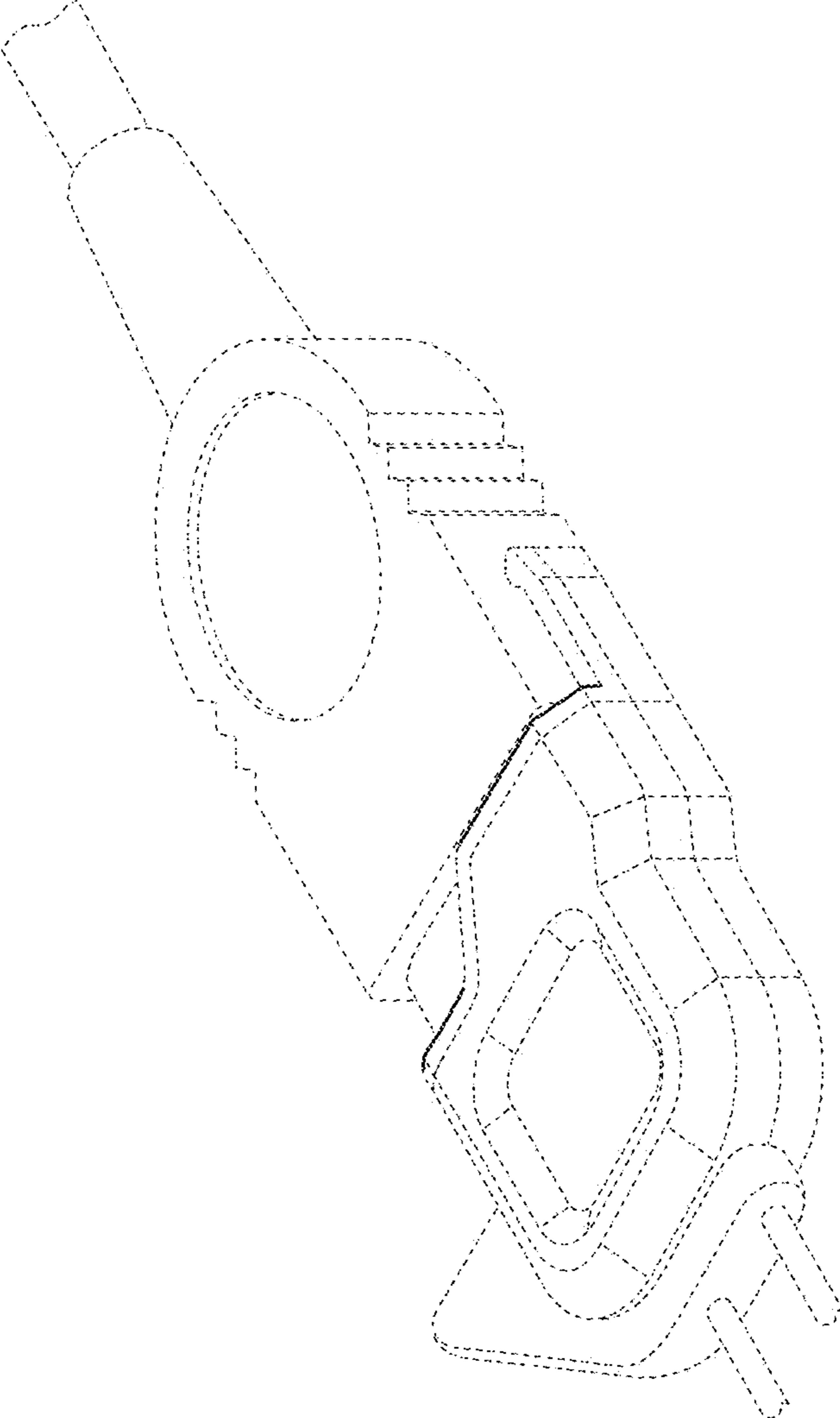


FIG. 10