



US00D927424S

(12) **United States Design Patent** (10) **Patent No.:** **US D927,424 S**  
**Ahn** (45) **Date of Patent:** **\*\* Aug. 10, 2021**

(54) **OPTICAL TRANSCEIVER MODULE**

(56) **References Cited**

(71) Applicant: **Humax Co., Ltd.**, Yongin-si (KR)

U.S. PATENT DOCUMENTS

(72) Inventor: **Keunsu Ahn**, Yongin-si (KR)

D396,695 S \* 8/1998 Shen ..... D13/147  
7,021,974 B2 \* 4/2006 Sichner ..... H01R 13/514  
439/278

(73) Assignee: **HUMAX NETWORKS, INC.**,  
Gyeonggi-Do (KR)

(Continued)

(\*\*) Term: **15 Years**

FOREIGN PATENT DOCUMENTS

(21) Appl. No.: **29/675,703**

CN 301958923 \* 6/2012  
CN 304619358 \* 5/2018  
WO WO-2005084259 A2 \* 9/2005 ..... G02B 6/4201

(22) Filed: **Jan. 4, 2019**

OTHER PUBLICATIONS

(30) **Foreign Application Priority Data**

Jul. 25, 2018 (KR) ..... 30-2018-0034504

Avanti Global Resources. Link: <https://store.avantiglobalresources.com/109952>. Visited Aug. 28, 2020. Dell 540-BBHN OCE14102-U1-D Emulex 10GBBE SFP Dual Port Low Profile Network Adapter.Converged Network Adapter (CNA)-540-BBHN. (Year: 2020).\*

(51) **LOC (13) Cl.** ..... **13-03**

(52) **U.S. Cl.**  
USPC ..... **D13/123**

*Primary Examiner* — Lauren D McVey

(58) **Field of Classification Search**

USPC ..... D13/123-132, 112, 118, 152, 154, 173,  
D13/175, 178, 184, 199

(74) *Attorney, Agent, or Firm* — Greer, Burns & Crain,  
Ltd.

CPC .. G02B 6/12; G02B 6/12002; G02B 6/12004;  
G02B 6/36; G02B 6/425; G02B 6/4251;  
G02B 6/4253; G02B 6/4255; G02B  
6/4256; G02B 6/4257; G02B 6/4259;  
G02B 6/426; G02B 6/4261; G02B  
6/4262; H04B 10/40; H04B 10/293;  
H04B 10/2931; H04B 10/2933; H04B  
10/2935; H04B 10/2937; H04B 10/2939;  
H04B 10/564; H04B 10/67; H04B  
10/671; H04B 10/672; H04B 10/673;  
H04B 10/674; H04B 10/675; H04B  
10/676; H04B 10/677; H04B 10/69;  
H04B 10/691; H04B 10/6911; H04B  
10/693; H04B 10/6931; H04B 10/6932;  
H04B 10/6933; H04B 10/695; H04B  
10/697; H04B 10/6971; H04B 10/6972;  
H04B 10/6973

(57) **CLAIM**

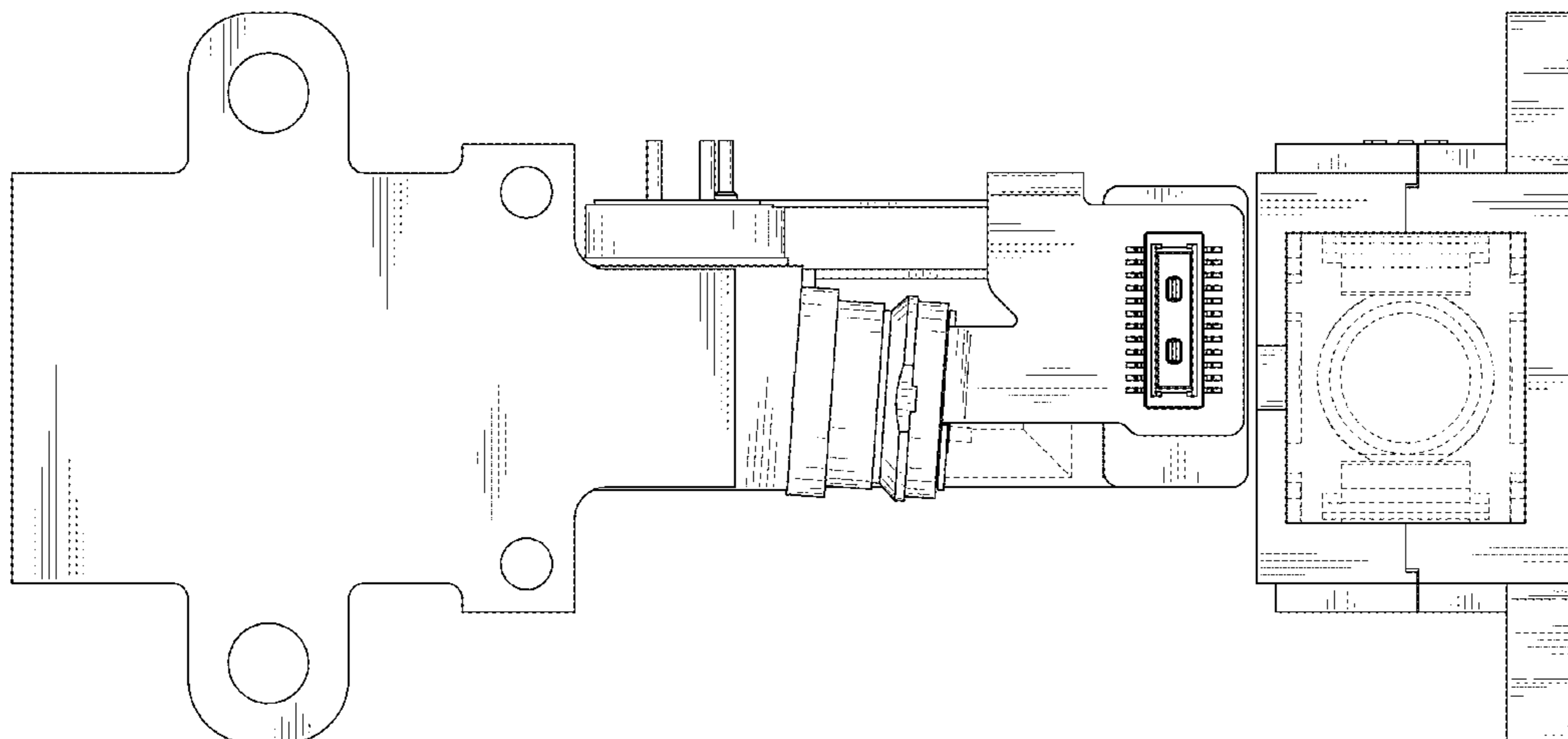
The ornamental design for optical transceiver module, as shown and described.

**DESCRIPTION**

FIG. 1 is a perspective view of an optical transceiver module showing the new design;  
FIG. 2 is a front view thereof;  
FIG. 3 is a rear view thereof;  
FIG. 4 is bottom perspective view thereof;  
FIG. 5 is a side elevational view thereof;  
FIG. 6 is an opposite side elevational view thereof;  
FIG. 7 is a top plan view thereof; and,  
FIG. 8 is a bottom view thereof.

See application file for complete search history.

(Continued)



The broken lines in FIGS. 2-3 and 5-6 represent portions of the optical transceiver module that form no part of the claimed design.

**1 Claim, 8 Drawing Sheets**

(56) **References Cited**

U.S. PATENT DOCUMENTS

D525,585	S *	7/2006	Hung	.....	D13/123
D545,762	S *	7/2007	Sichner	.....	D13/123
7,396,166	B1 *	7/2008	Chou	.....	G02B 6/4201
					385/14
9,825,380	B2 *	11/2017	Tang	.....	G02B 6/4257
D890,814	S *	7/2020	Armstrong	.....	D15/5
2003/0198445	A1 *	10/2003	Inujima	.....	G02B 6/4284
					385/92
2006/0024005	A1 *	2/2006	Ice	.....	H05K 3/3405
					385/92
2006/0216040	A1 *	9/2006	Nelson	.....	H04B 10/564
					398/186
2008/0292317	A1 *	11/2008	Wen	.....	G02B 6/29367
					398/79
2018/0284369	A1 *	10/2018	Lin	.....	G02B 6/4224
2018/0284370	A1 *	10/2018	Ho	.....	G02B 6/4237

\* cited by examiner

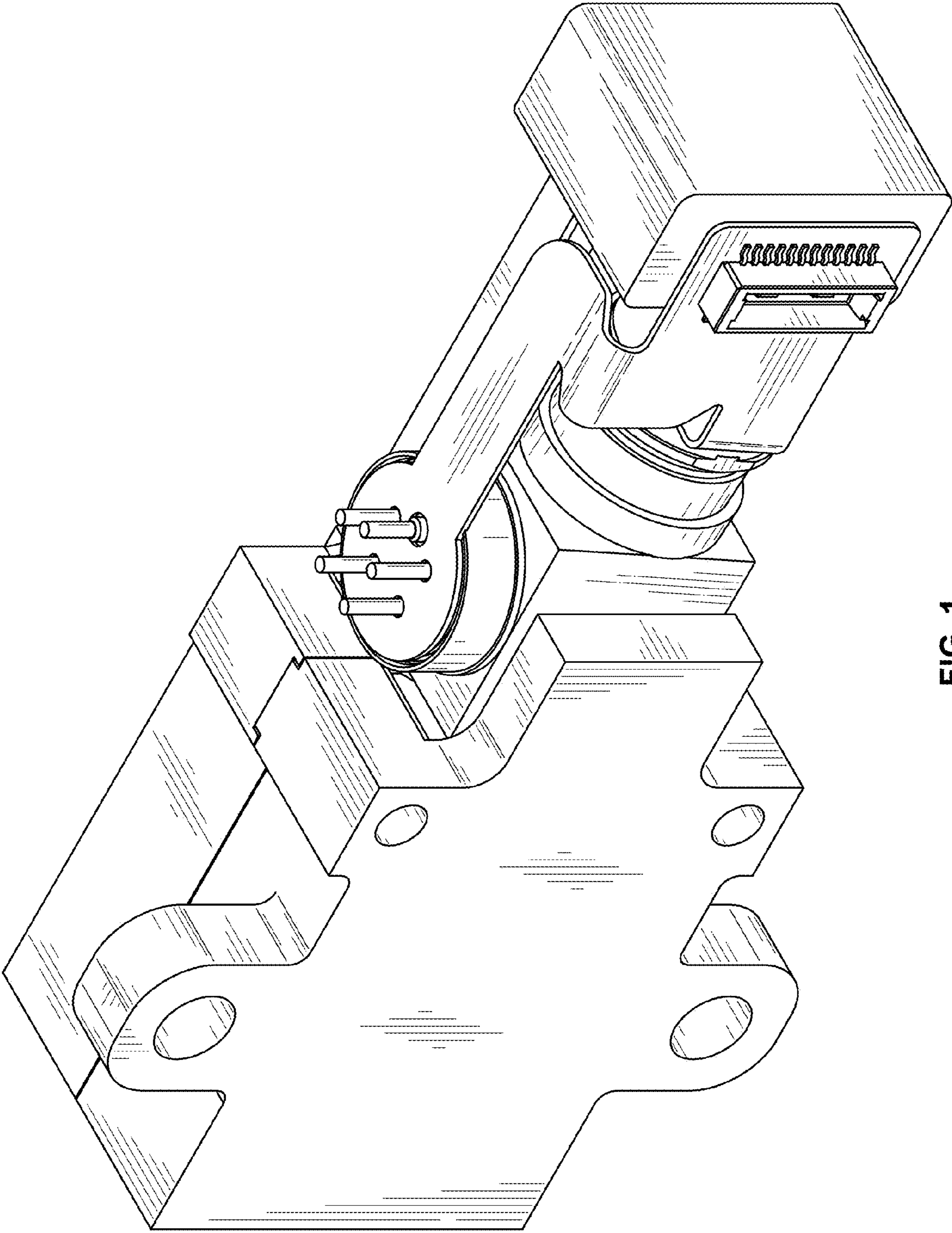


FIG. 1

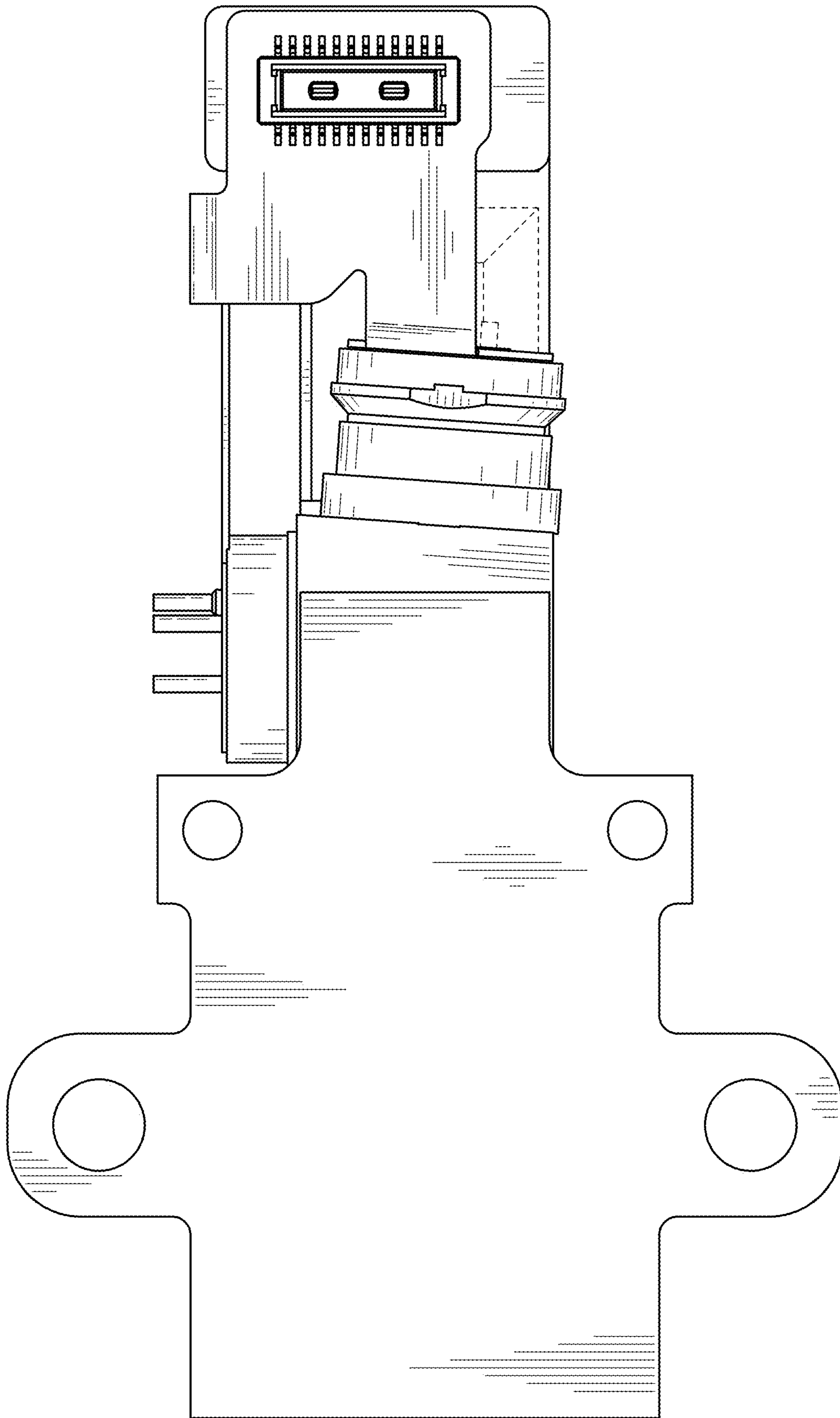


FIG. 2

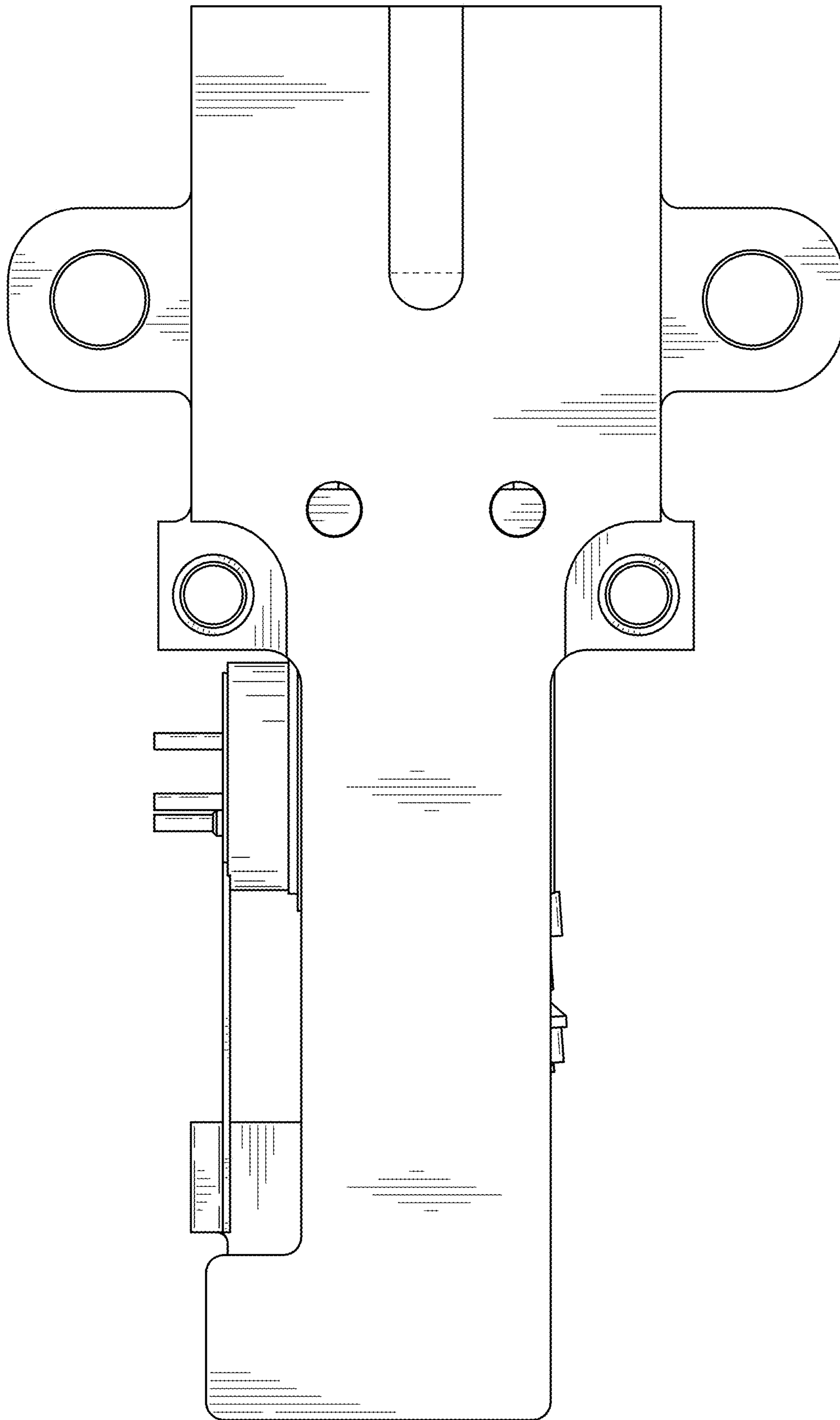


FIG. 3

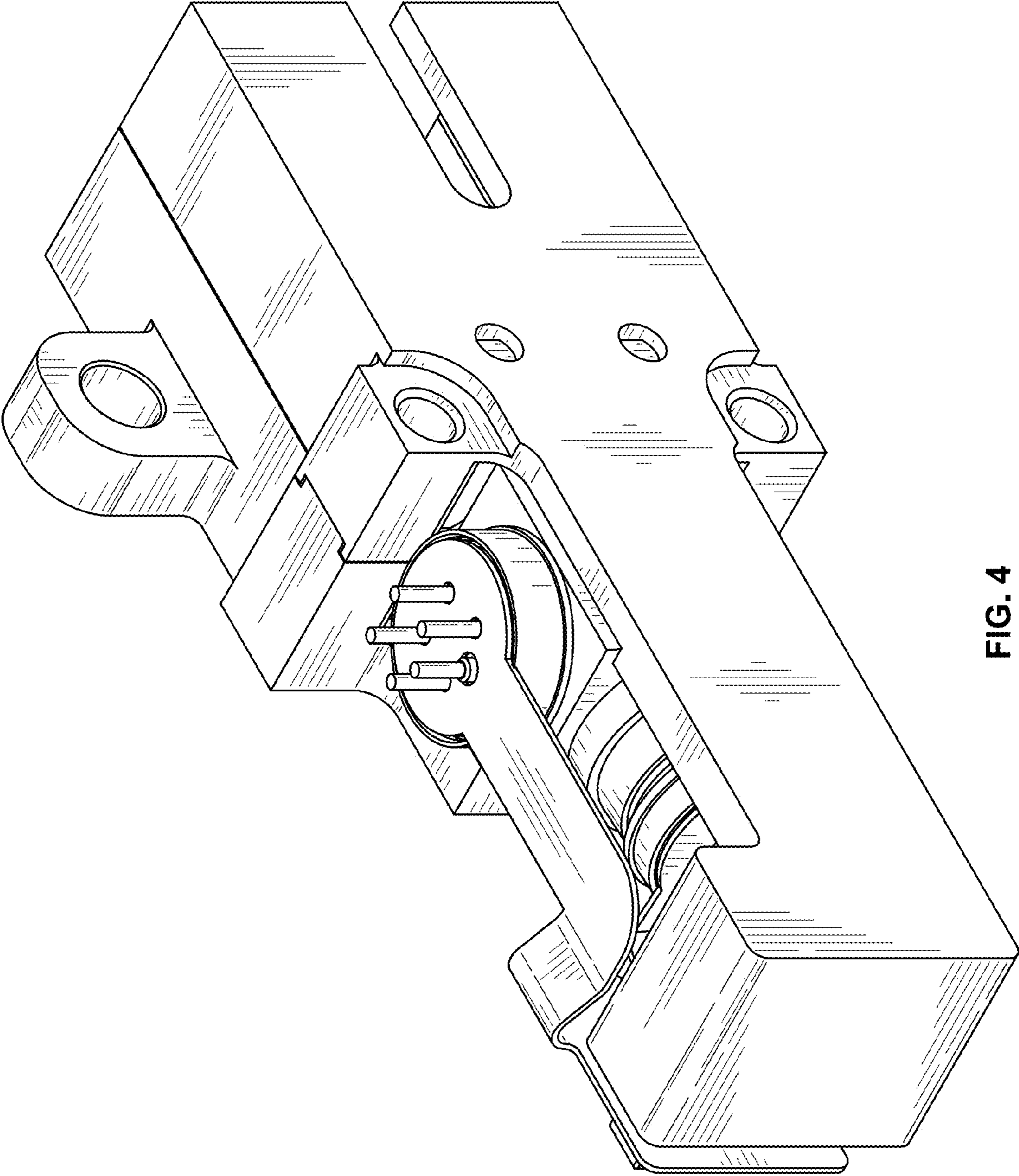


FIG. 4

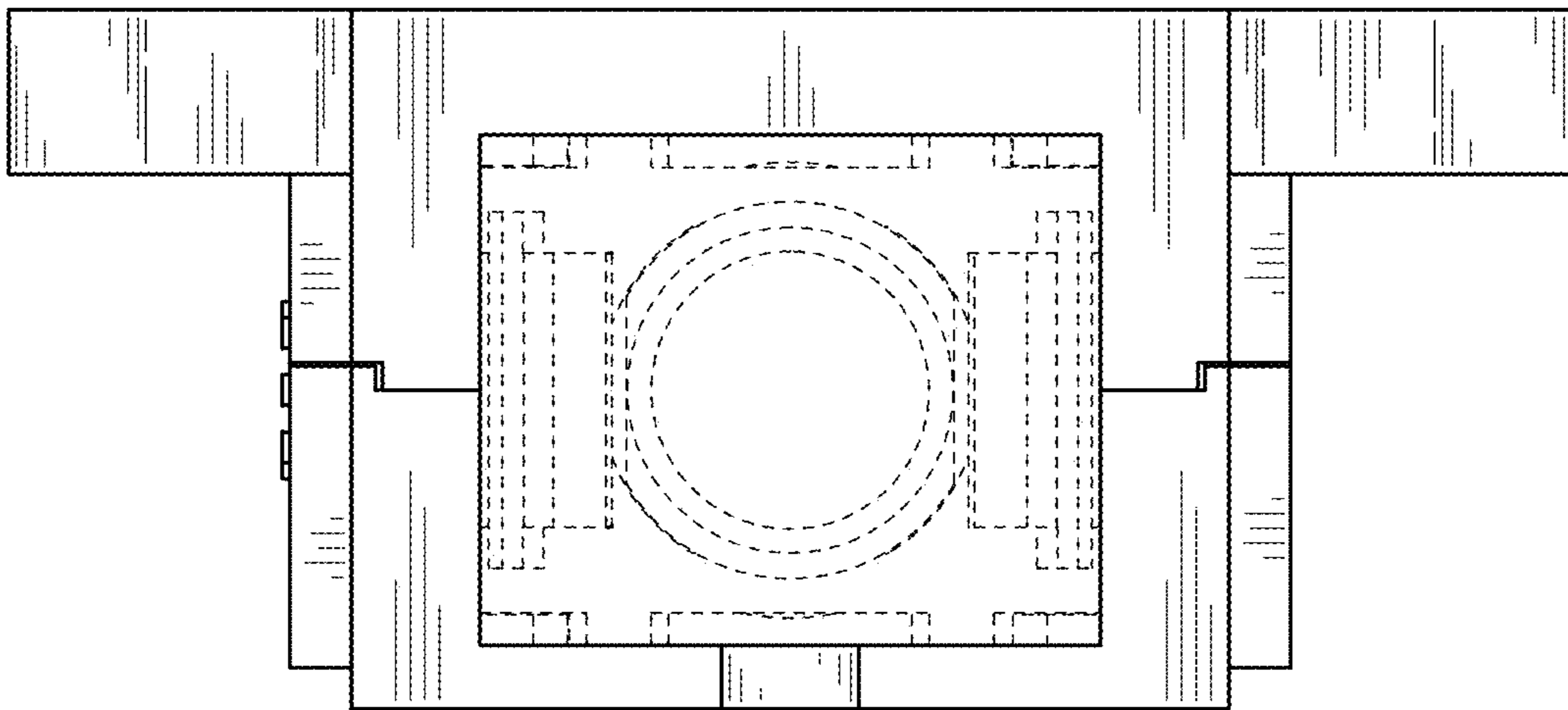


FIG. 5

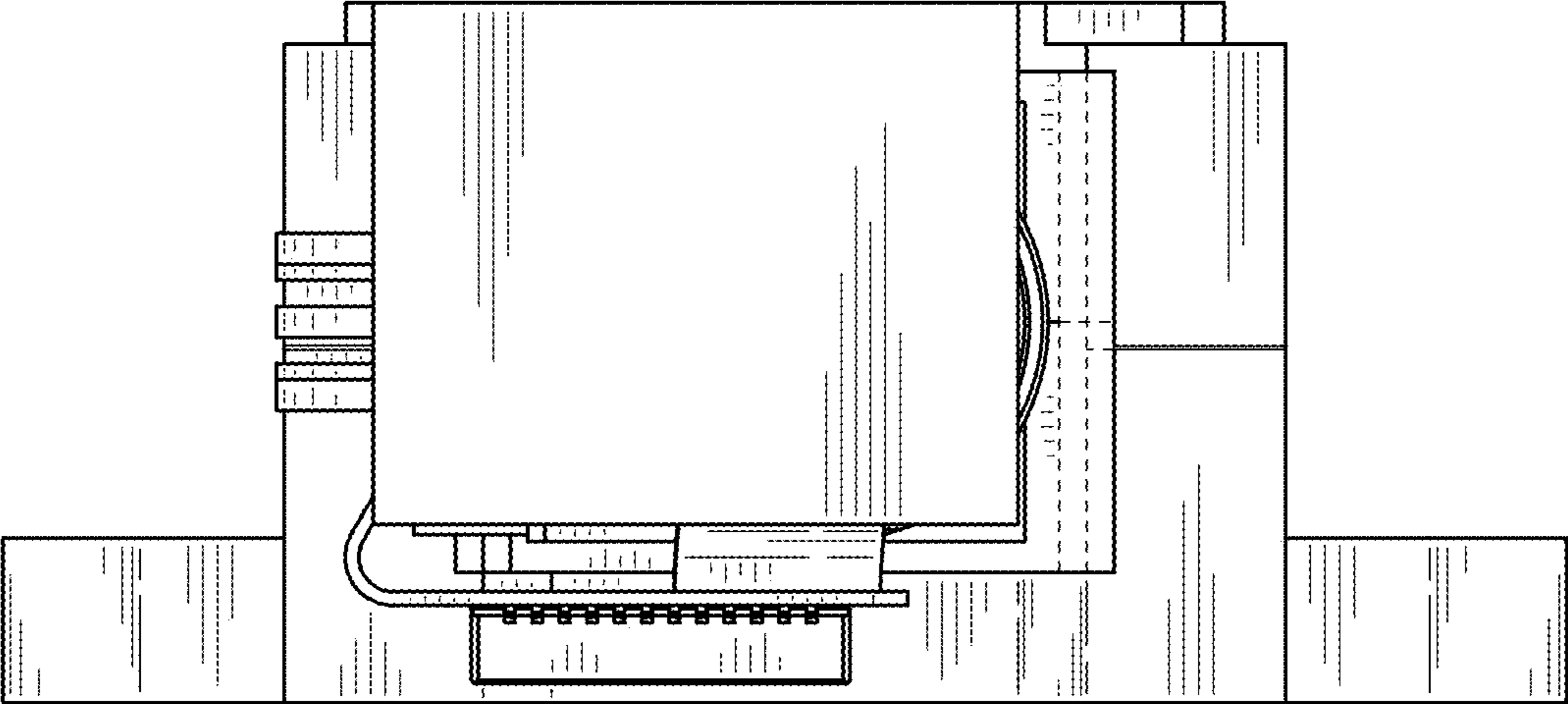


FIG. 6



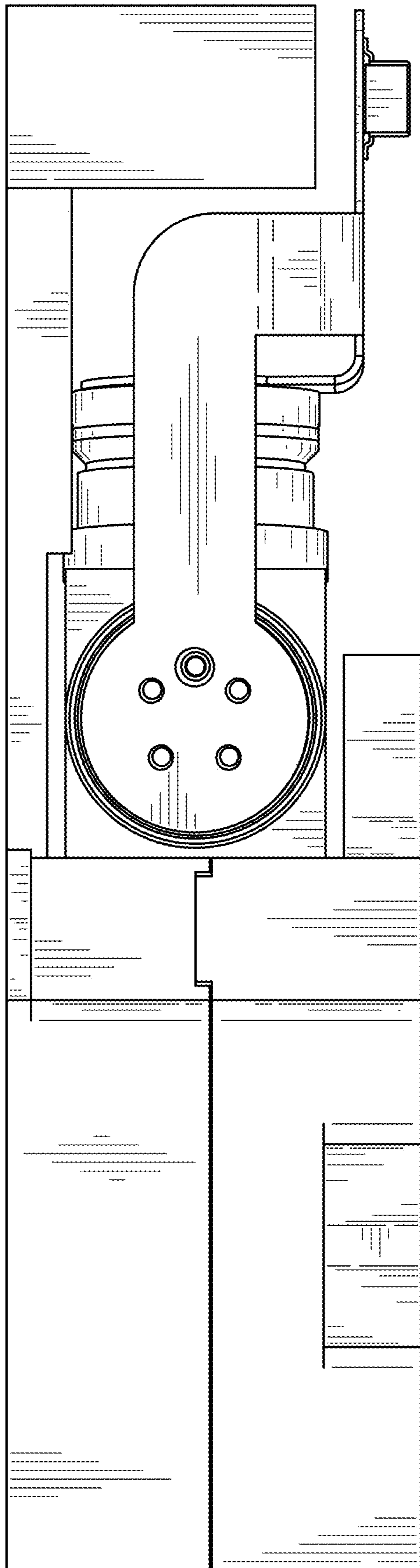


FIG. 7

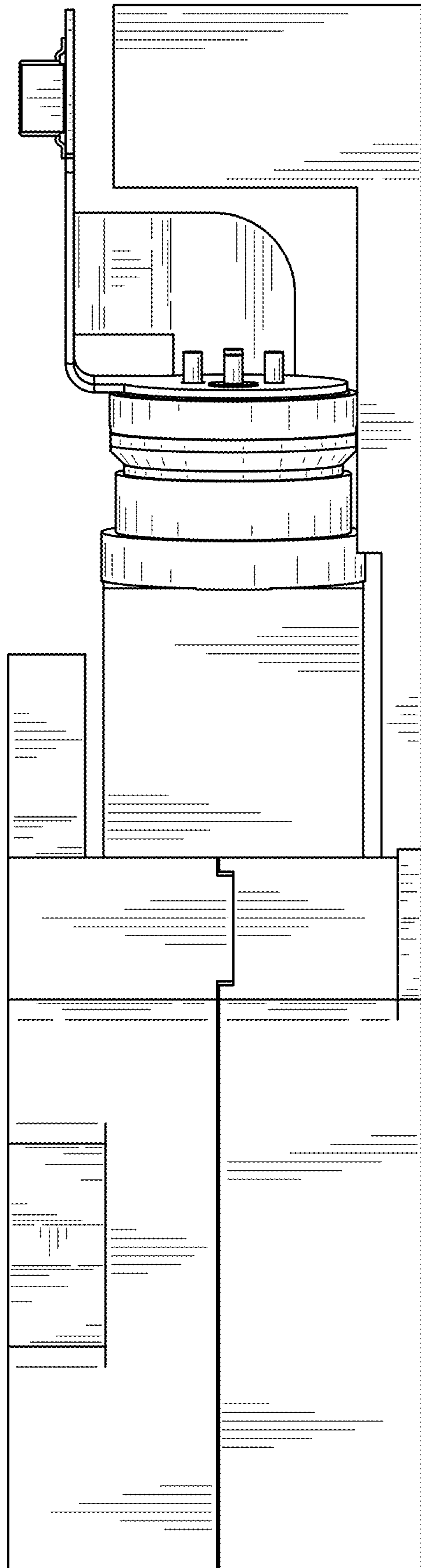


FIG. 8