



US00D927423S

(12) **United States Design Patent**
Kobayashi et al.

(10) **Patent No.:** **US D927,423 S**

(45) **Date of Patent:** **** Aug. 10, 2021**

(54) **MOTOR**

(71) Applicant: **NIDEC SERVO CORPORATION,**
Kiryu (JP)

(72) Inventors: **Toru Kobayashi,** Kiryu (JP);
Yoshifumi Kuwano, Kiryu (JP)

(73) Assignee: **NIDEC SERVO CORPORATION,**
Gunma (JP)

(**) Term: **15 Years**

(21) Appl. No.: **29/683,210**

(22) Filed: **Mar. 12, 2019**

(30) **Foreign Application Priority Data**

Sep. 28, 2018 (JP) 2018-021207
Sep. 28, 2018 (JP) 2018-021208
Sep. 28, 2018 (JP) 2018-021209

(51) **LOC (13) Cl.** **13-01**

(52) **U.S. Cl.**
USPC **D13/112**

(58) **Field of Classification Search**
USPC D13/103, 107, 108, 110, 112, 113, 114,
D13/117, 118, 119, 122, 184, 199;
D15/1, 5

(Continued)

(56) **References Cited**

U.S. PATENT DOCUMENTS

3,238,401 A * 3/1966 Baclawski H02K 5/04
310/91
D220,881 S * 6/1971 Dochterman D13/114

(Continued)

OTHER PUBLICATIONS

“Ventilation Fan Motor”. Found online Sep. 30, 2020 at aliexpress.com. Reference dated Sep. 3, 2016. Retrieved from <https://www.aliexpress.com/i/1488770560.html?spm=2114.12057483.0.0.207b1901lkSBwA>. (Year: 2016).*

aliexpress.com/i/1488770560.html?spm=2114.12057483.0.0.207b1901lkSBwA. (Year: 2016).*

(Continued)

Primary Examiner — Kendra Leslie Hamilton

Assistant Examiner — Amanda Christensen

(74) *Attorney, Agent, or Firm* — Keating & Bennett

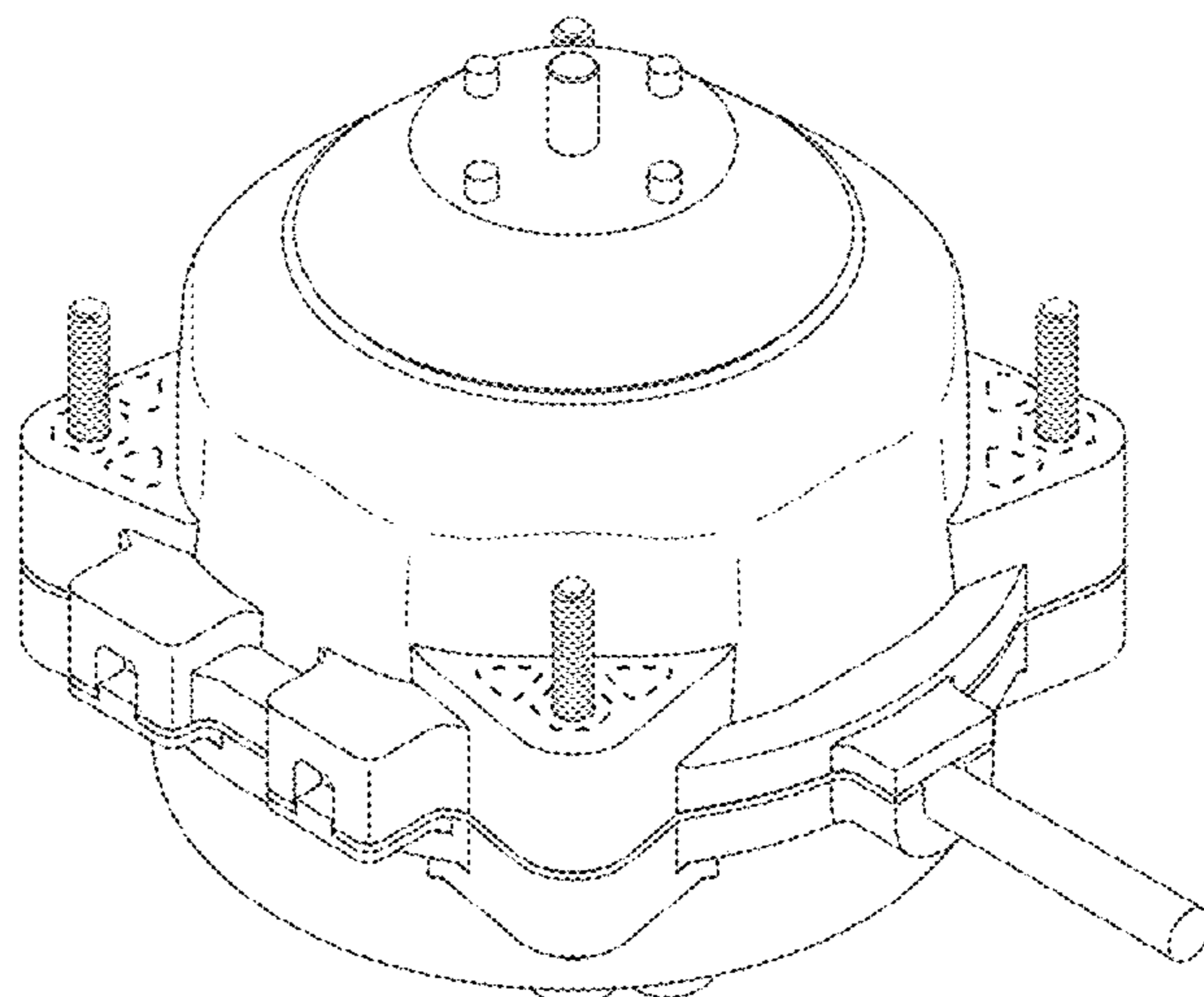
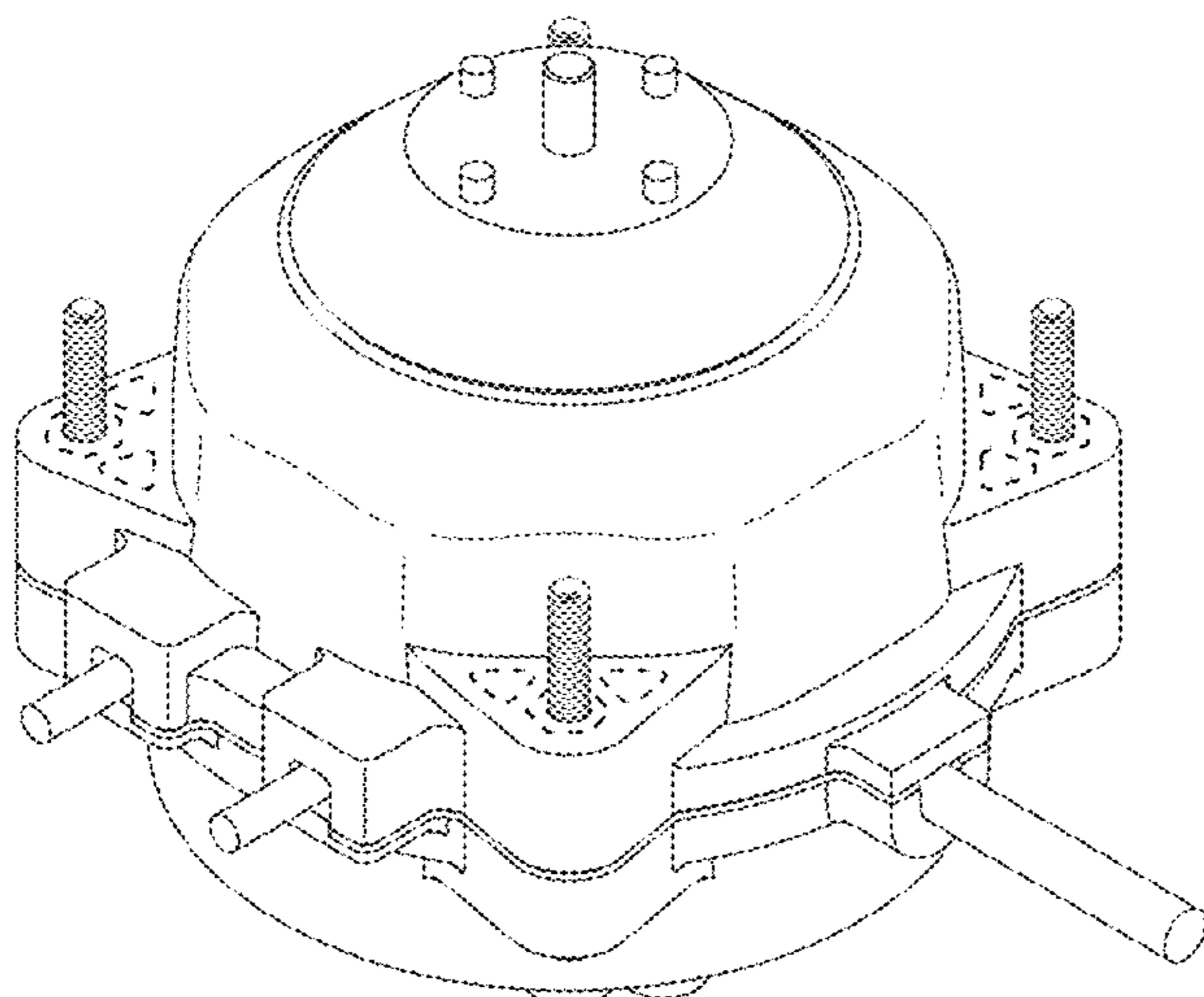
(57) **CLAIM**

The ornamental design for a motor, as shown and described.

DESCRIPTION

FIG. 1 is a top, front, right side perspective view of a first embodiment of a motor, showing our new design;
FIG. 2 is a bottom, rear, left side perspective view thereof;
FIG. 3 is a front elevation view thereof;
FIG. 4 is a rear elevation view thereof;
FIG. 5 is a left side elevation view thereof;
FIG. 6 is a right side elevation view thereof;
FIG. 7 is a top plan view thereof;
FIG. 8 is a bottom plan thereof;
FIG. 9 is a cross-sectional front elevation view the motor of FIG. 1, taken in a direction of line 9-9 in of FIG. 6;
FIG. 10 is a top, front, right side perspective view of a second embodiment of a motor, showing our new design;
FIG. 11 is a bottom, rear, left side perspective view thereof;
FIG. 12 is a front elevation view thereof;
FIG. 13 is a rear elevation view thereof;
FIG. 14 is a left side elevation view thereof;
FIG. 15 is a right side elevation view thereof;
FIG. 16 is a top plan view thereof;
FIG. 17 is a bottom plan thereof; and,
FIG. 18 is a cross-sectional front elevation view of the motor of FIG. 10, taken in a direction of line 18-18 of FIG. 15.
The equal-length broken lines in the drawings depict portions of the motor that form no part of the claimed design.

1 Claim, 18 Drawing Sheets



US D927,423 S

Page 2

- (58) **Field of Classification Search**
CPC H02K 11/00; H02K 15/16; H02K 11/0094
See application file for complete search history.

D886,737 S * 6/2020 Nanbu D13/112
D889,406 S * 7/2020 Huang D13/112
2020/0106348 A1* 4/2020 Kobayashi H02K 49/043

- (56) **References Cited**

U.S. PATENT DOCUMENTS

5,767,596 A * 6/1998 Stark H02K 5/00
29/596
D709,451 S * 7/2014 Tanabe D13/112
D710,801 S * 8/2014 Tanaka D13/112
D722,560 S * 2/2015 Lau D13/112
D741,260 S * 10/2015 Yabuuchi D13/112
D753,591 S * 4/2016 Noda D13/112
D806,650 S * 1/2018 Chang D13/112
D853,445 S * 7/2019 Kuratani D15/1

OTHER PUBLICATIONS

“Motor”. Found online Sep. 30, 2020 at globalindustrial.com.
Reference dated Sep. 11, 2013. Retrieved from https://tineye.com/search/3ea2f38be91d2f390a3b20bd45ba9d120528034e?sort=crawl_date&order=asc&page=1. (Year: 2013).*

“Elco Fan Motor”. Found online Sep. 30, 2020 at mfhref.com.
Reference dated May 3, 2016. Retrieved from https://tineye.com/search/e2b55a9a8539baa31cb8bab0b7b324b717361433?sort=crawl_date&order=asc&page=1. (Year: 2016).*

* cited by examiner

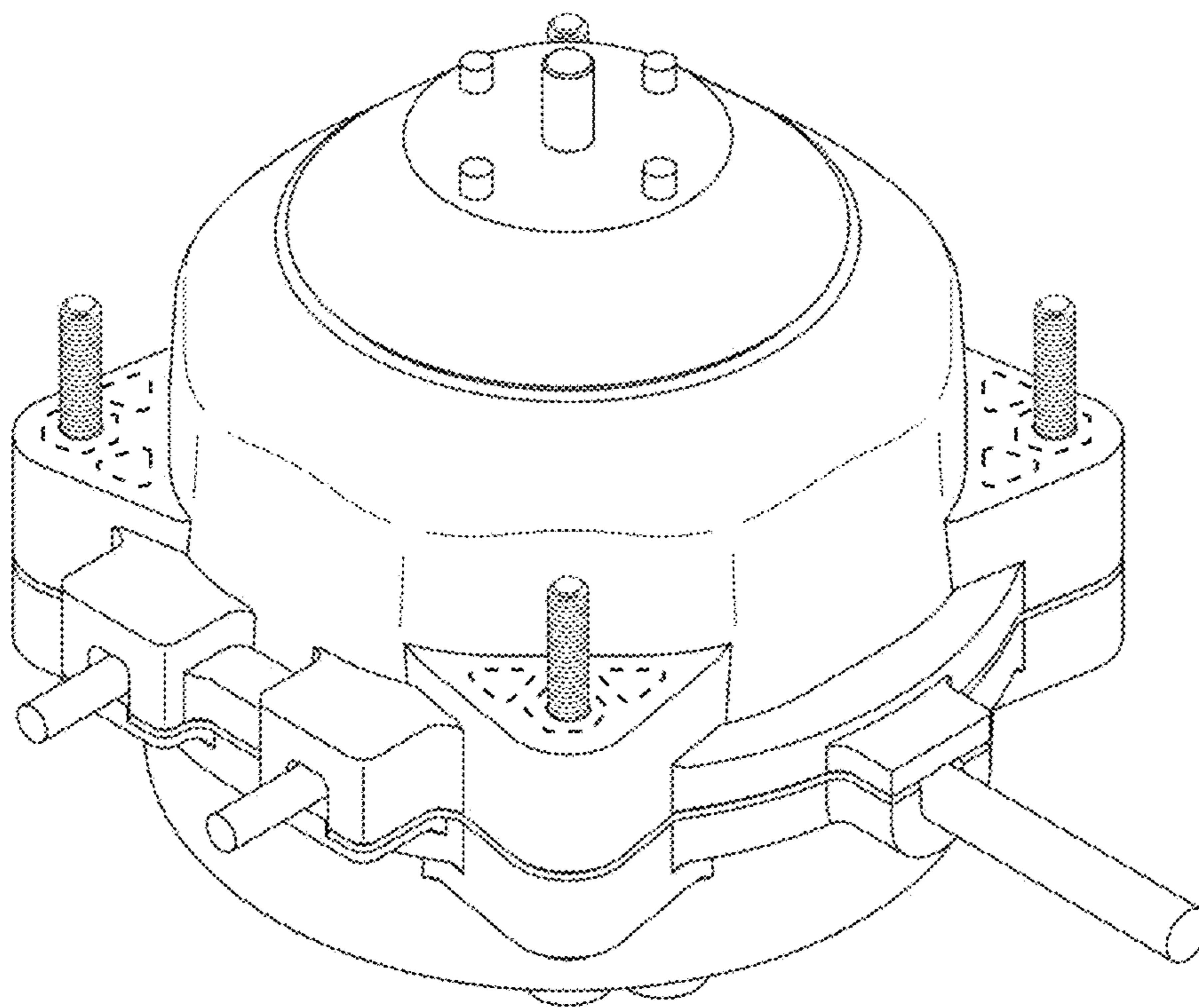


FIG. 1

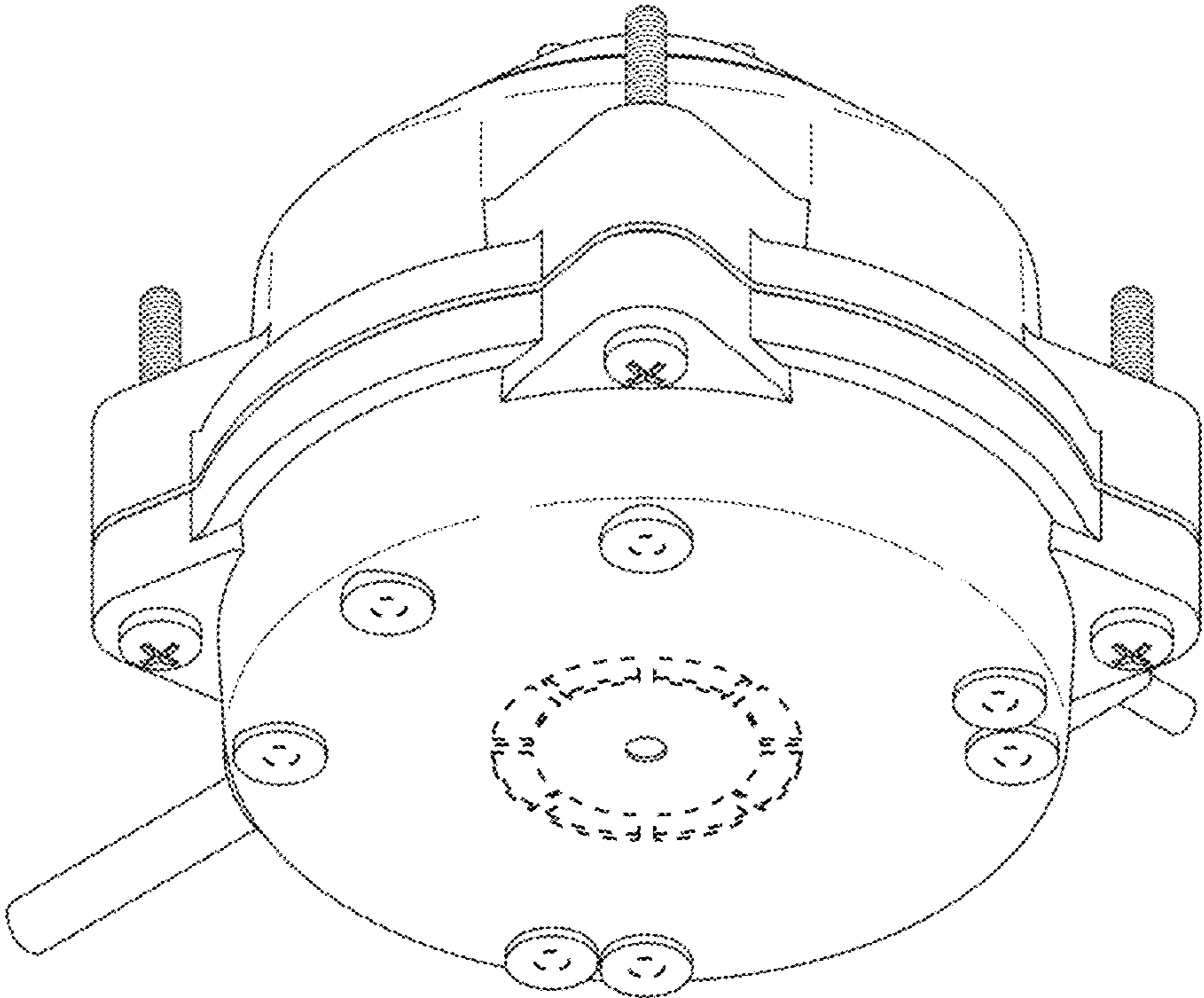


FIG. 2

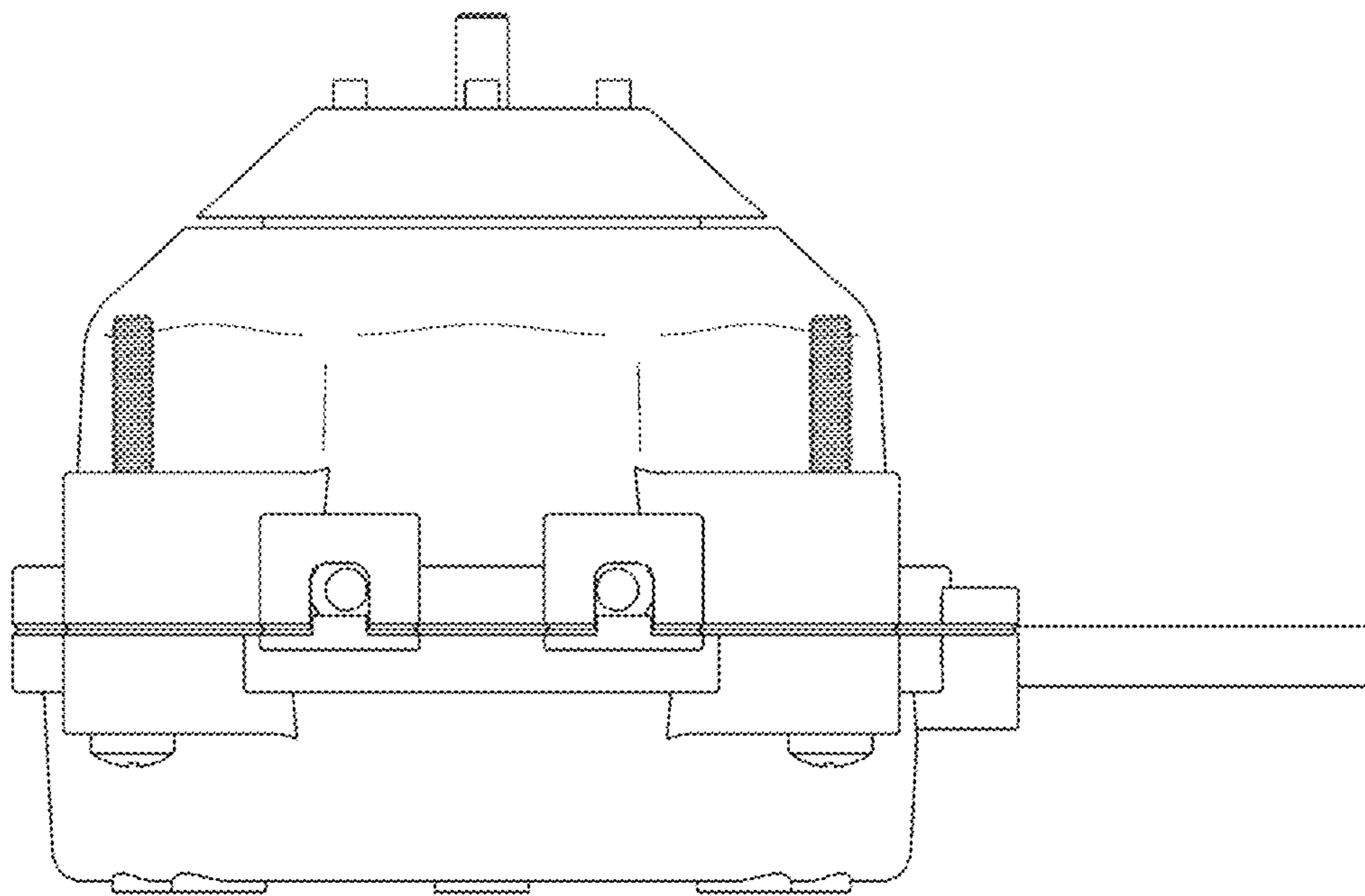


FIG. 3

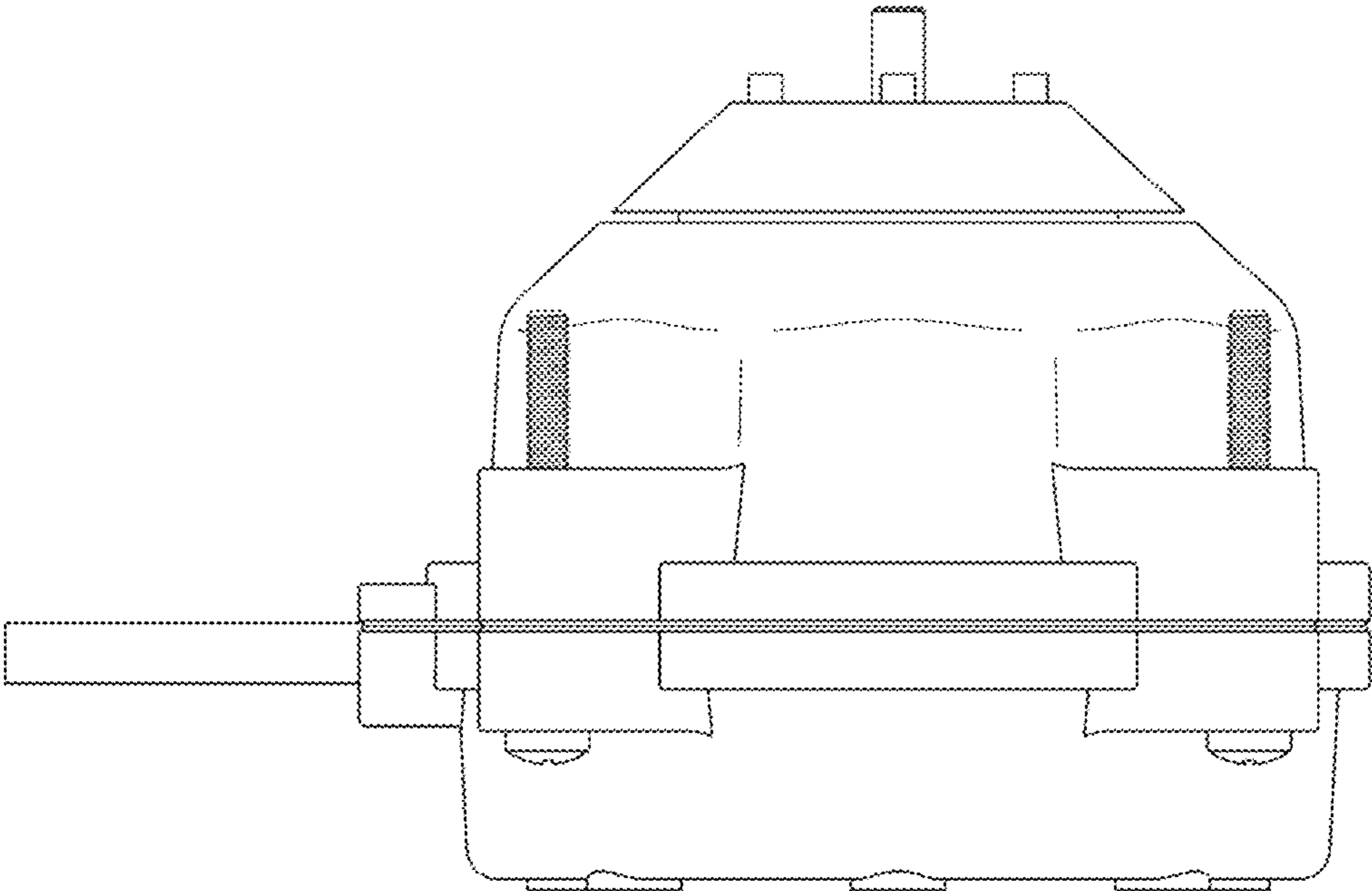


FIG. 4

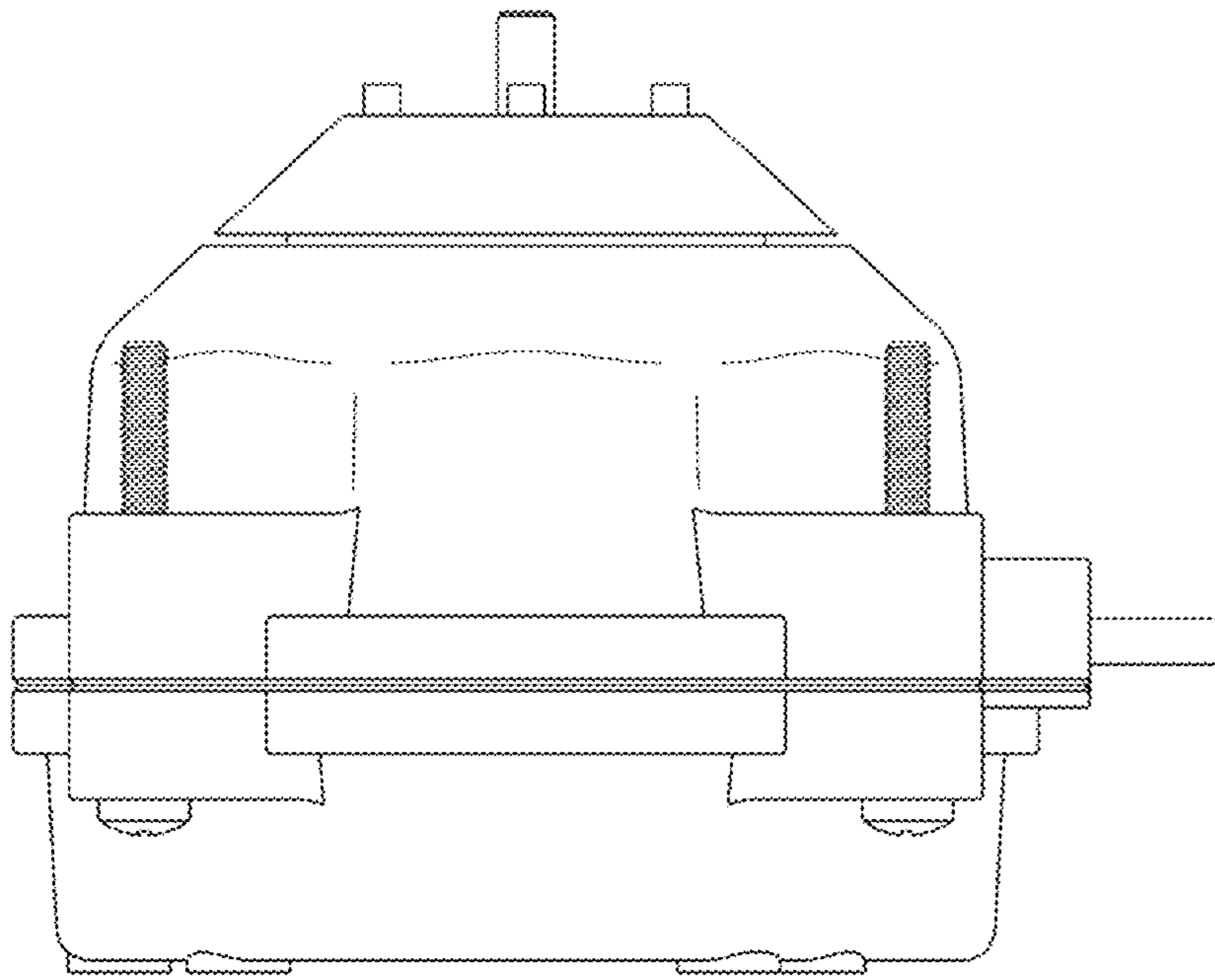


FIG. 5

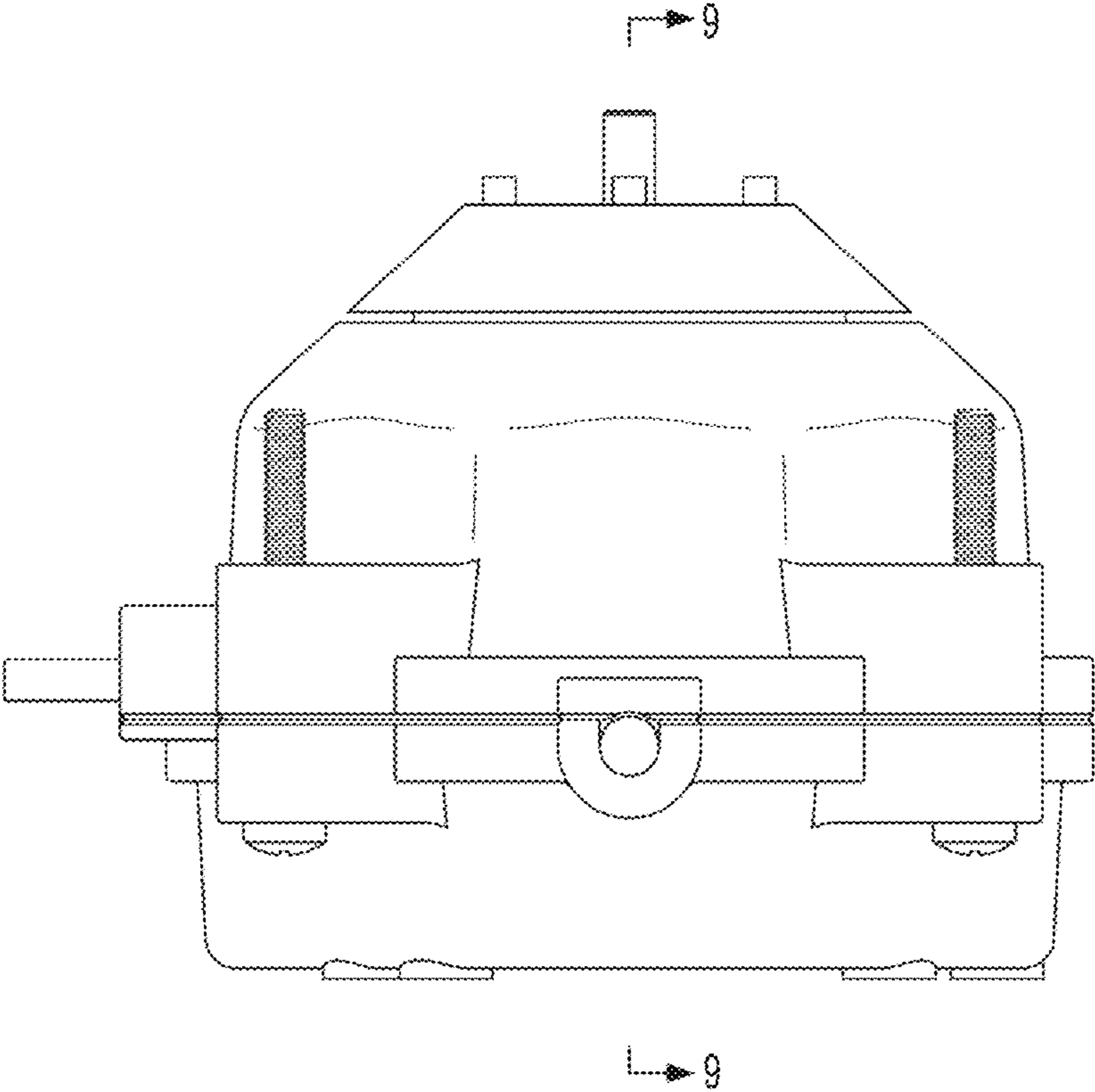


FIG. 6

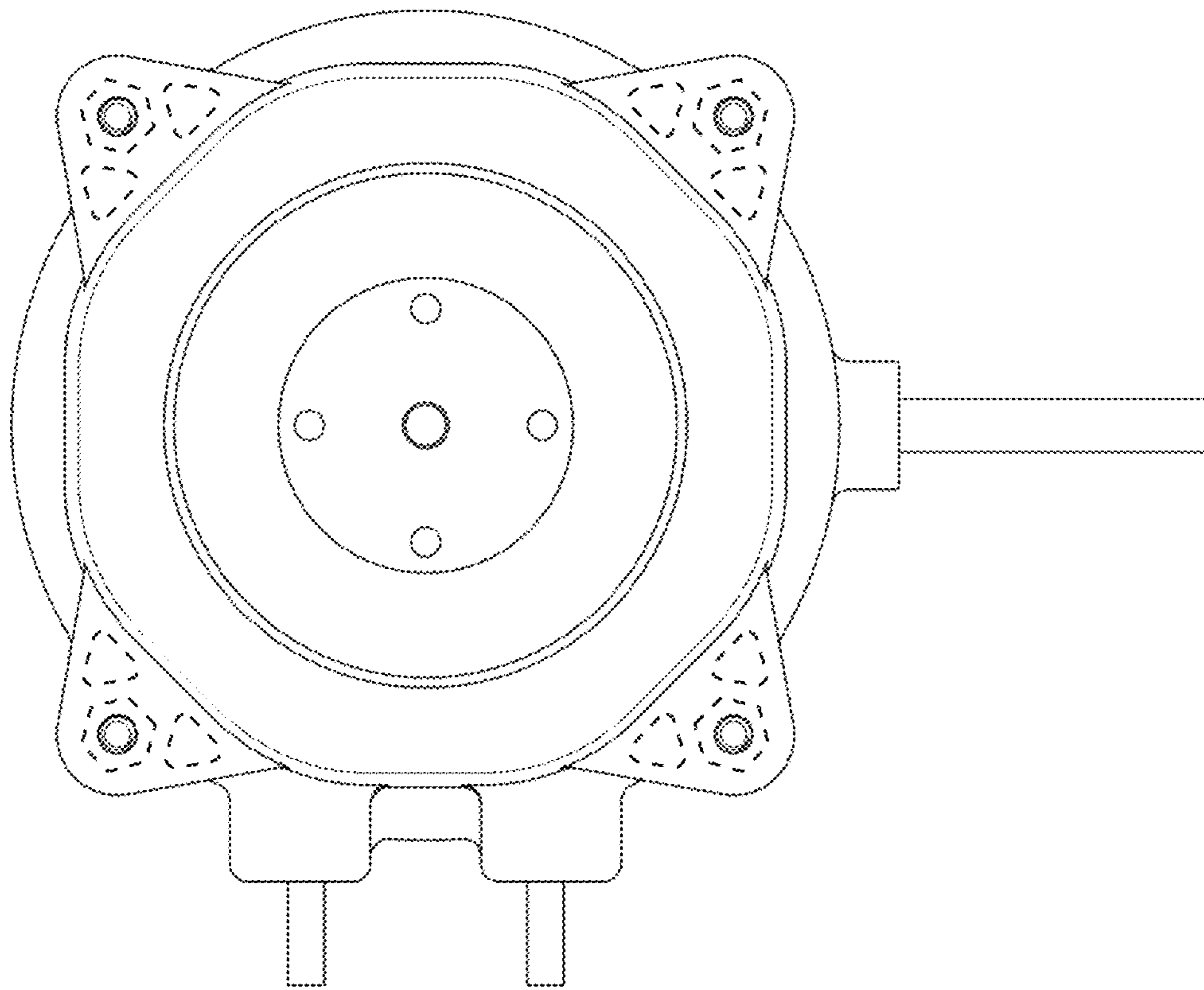


FIG. 7

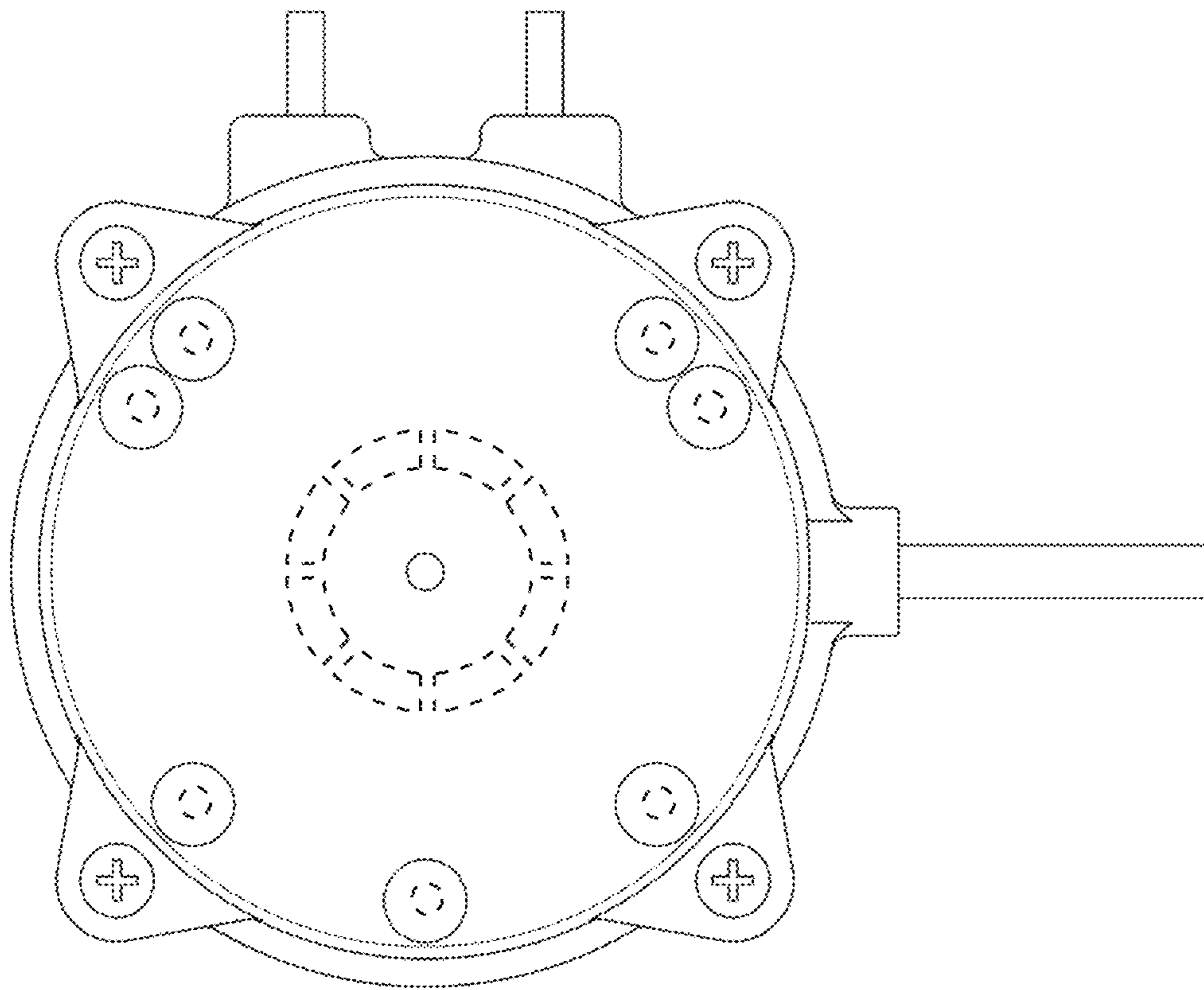


FIG. 8

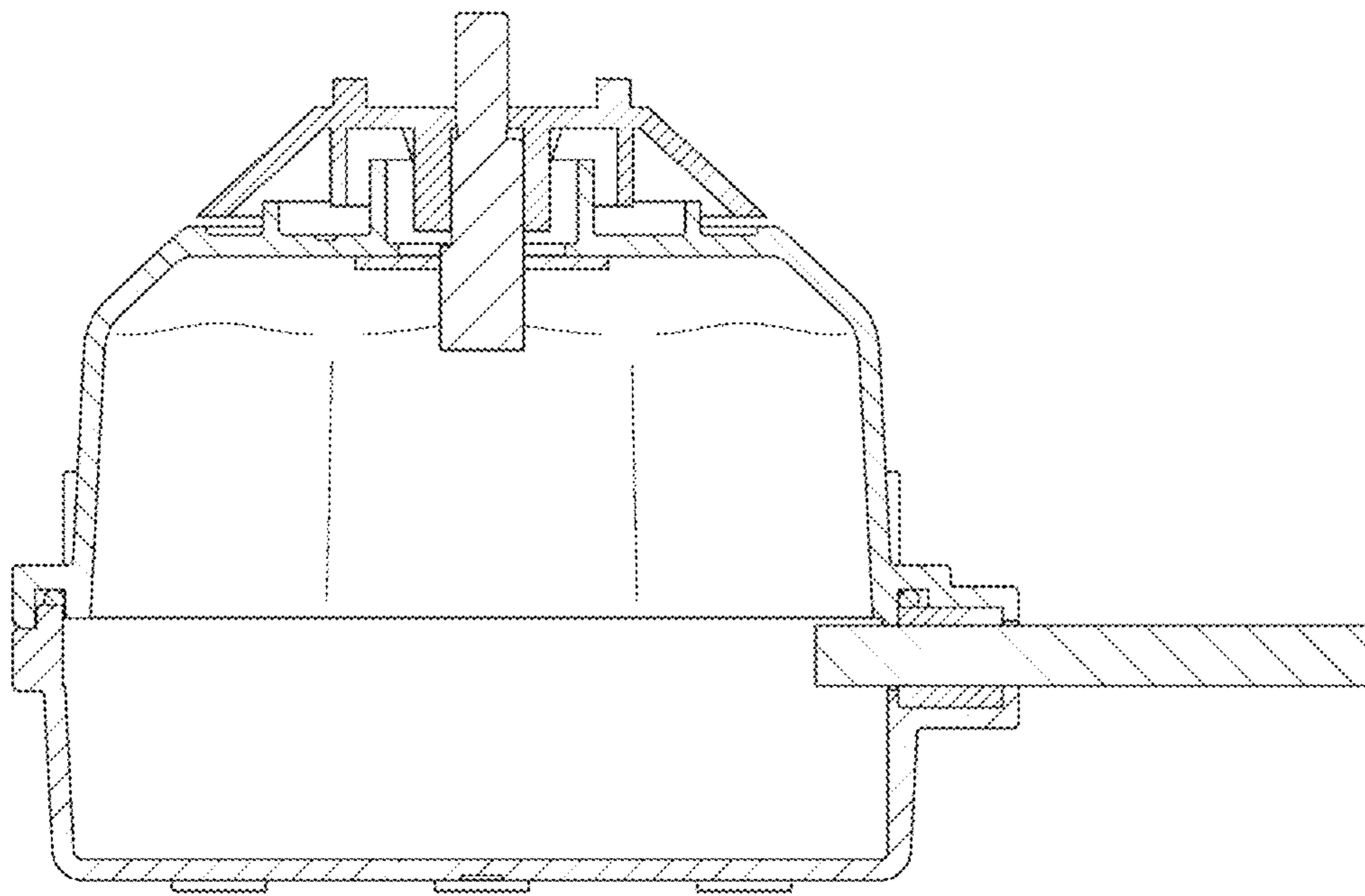


FIG. 9

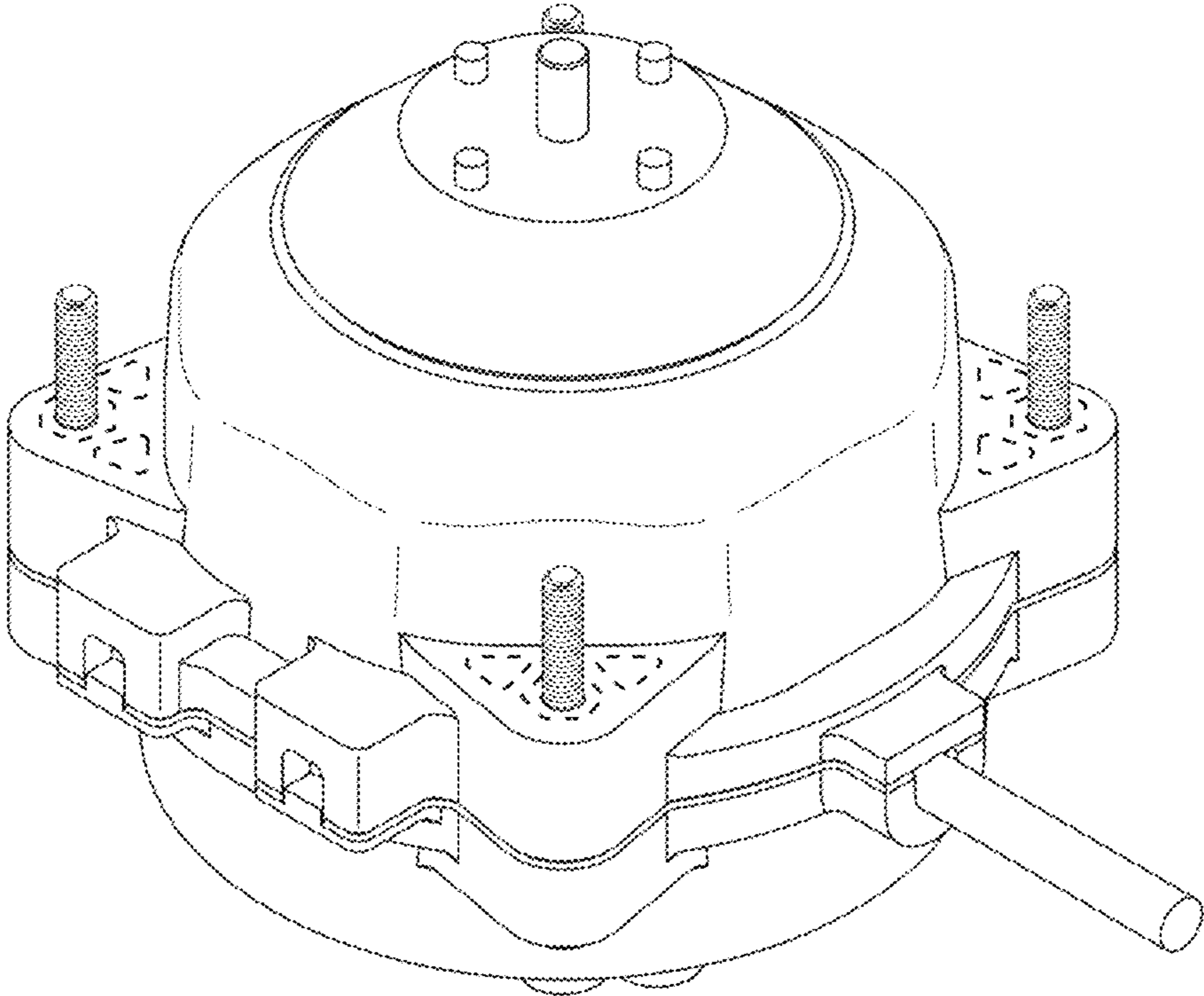


FIG. 10

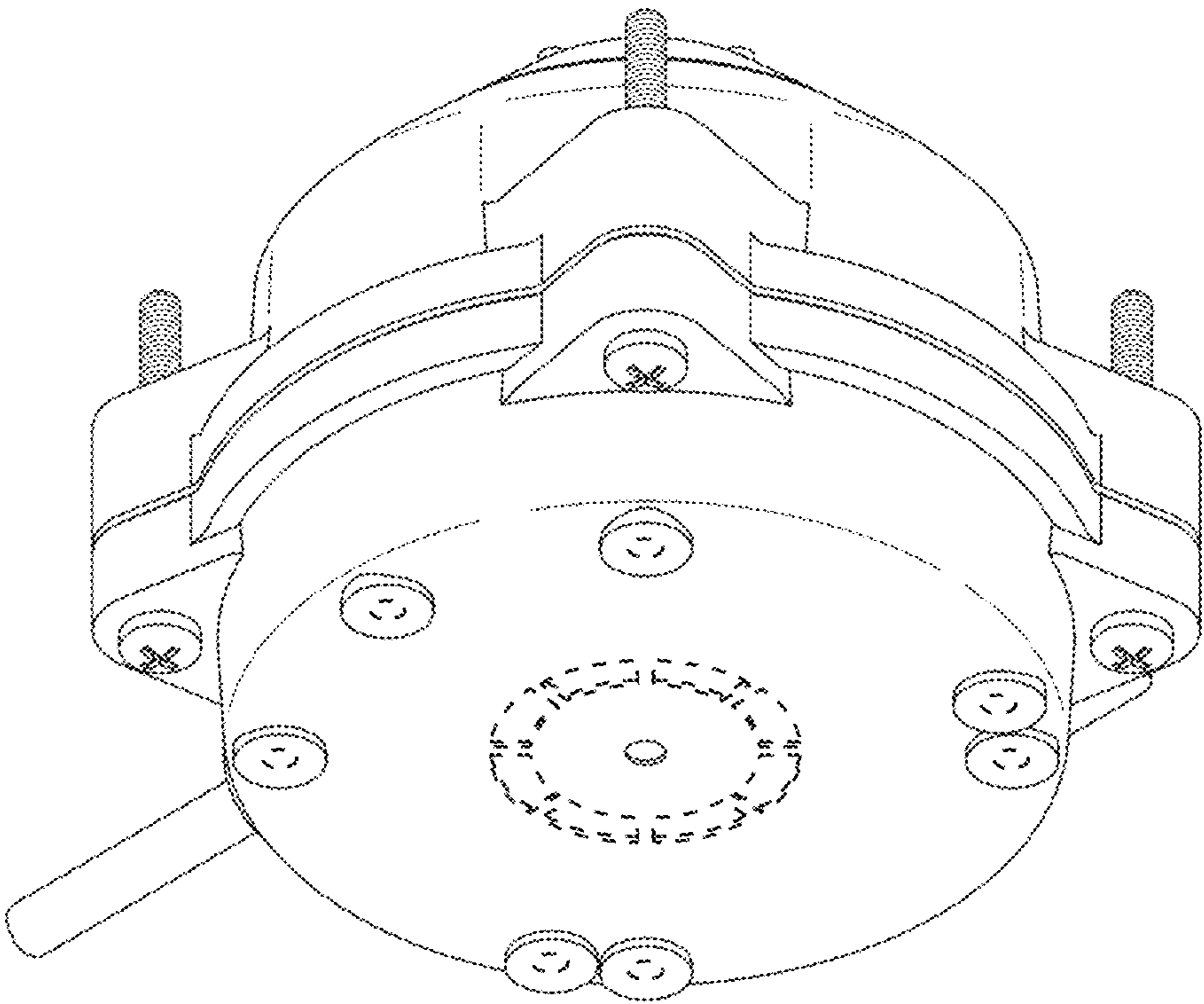


FIG. 11

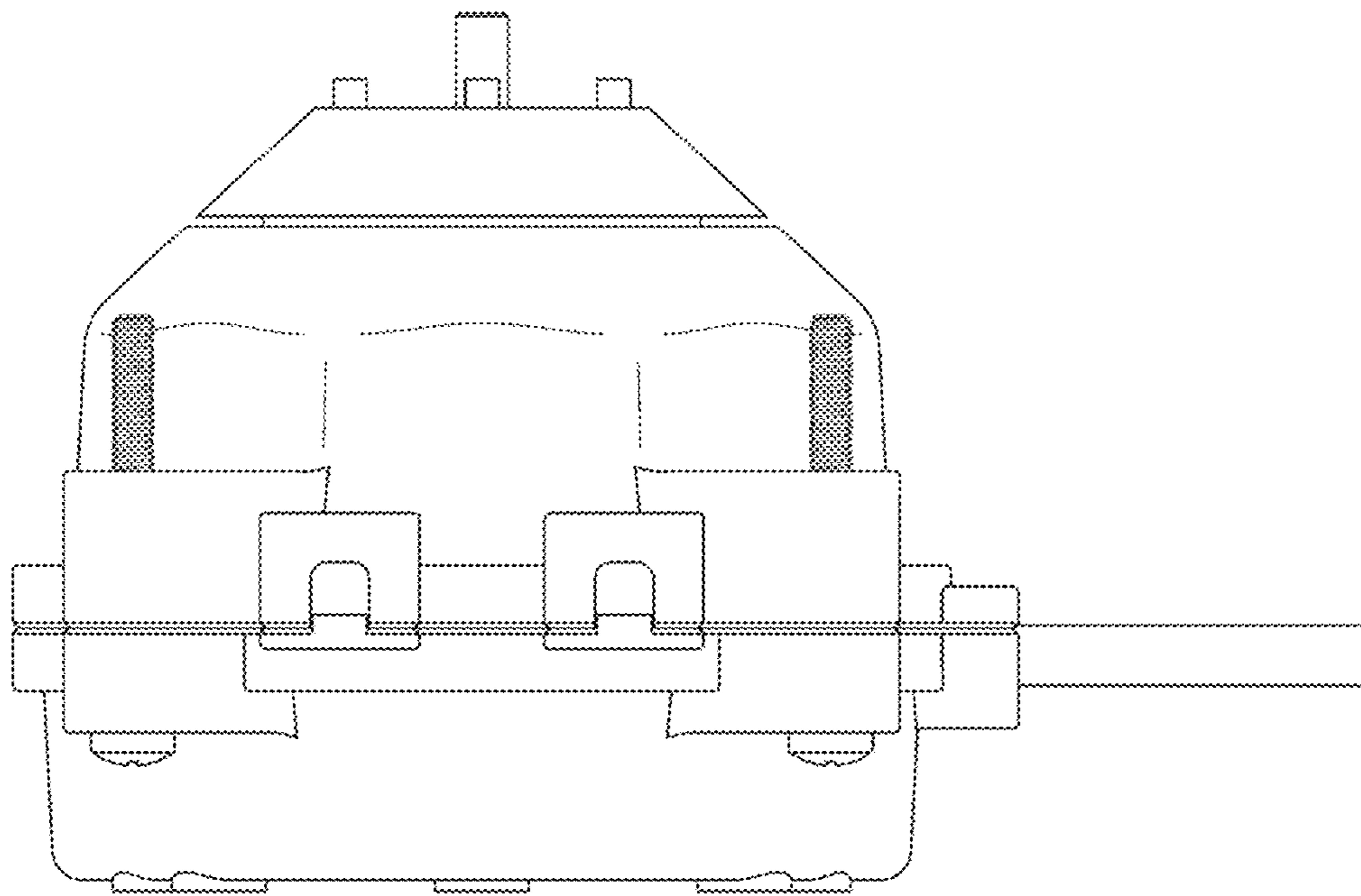


FIG. 12

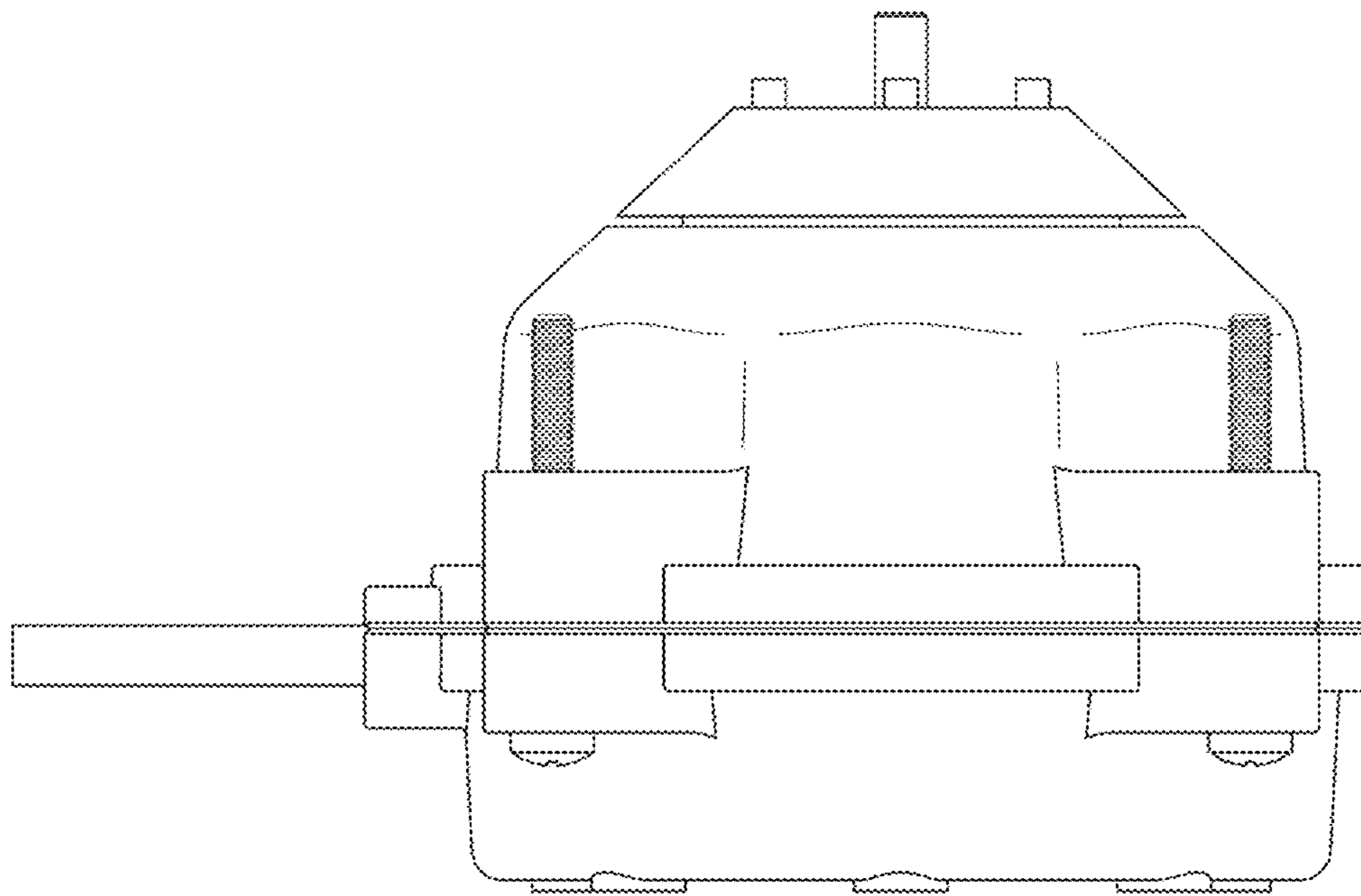


FIG. 13

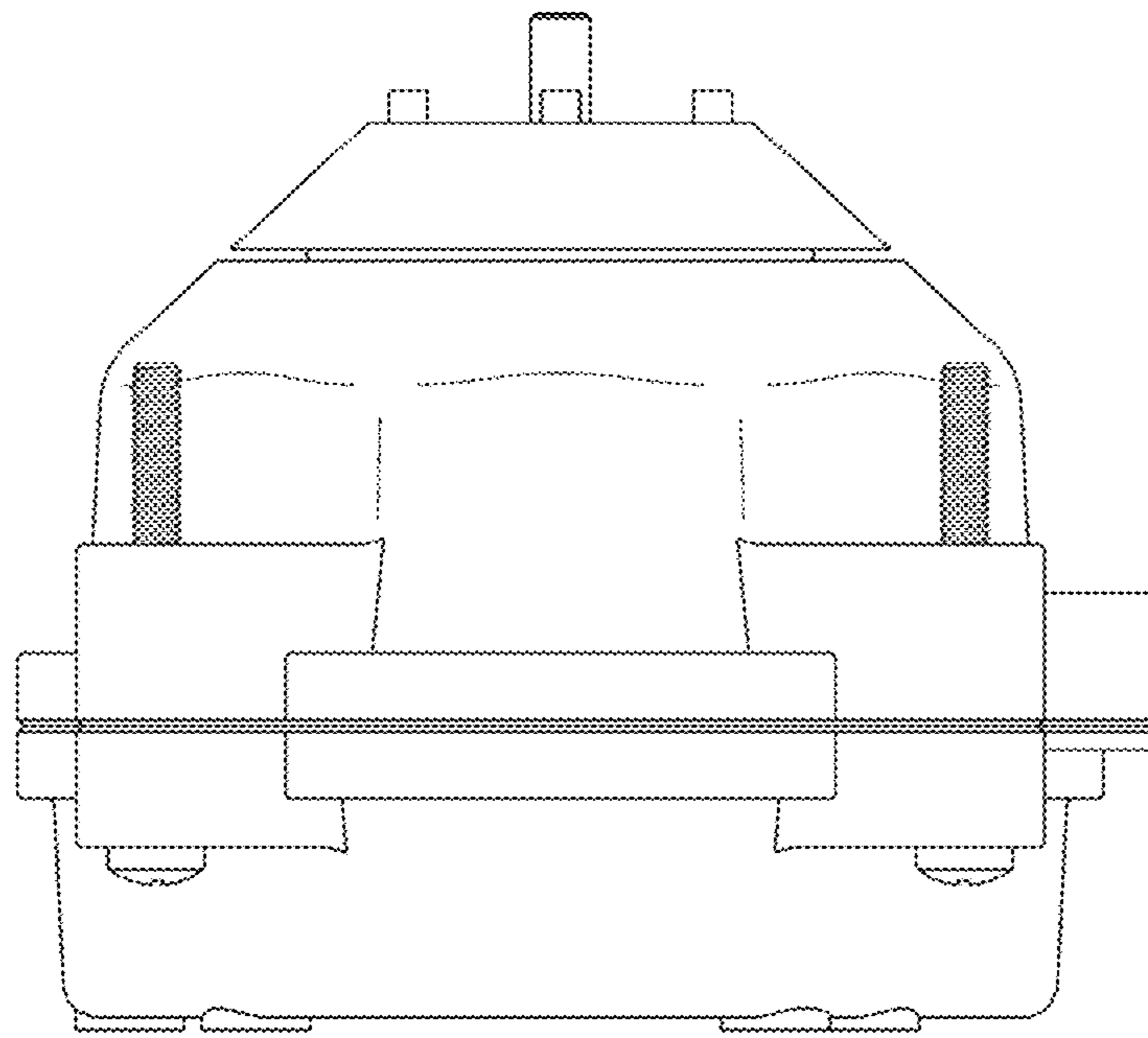


FIG. 14

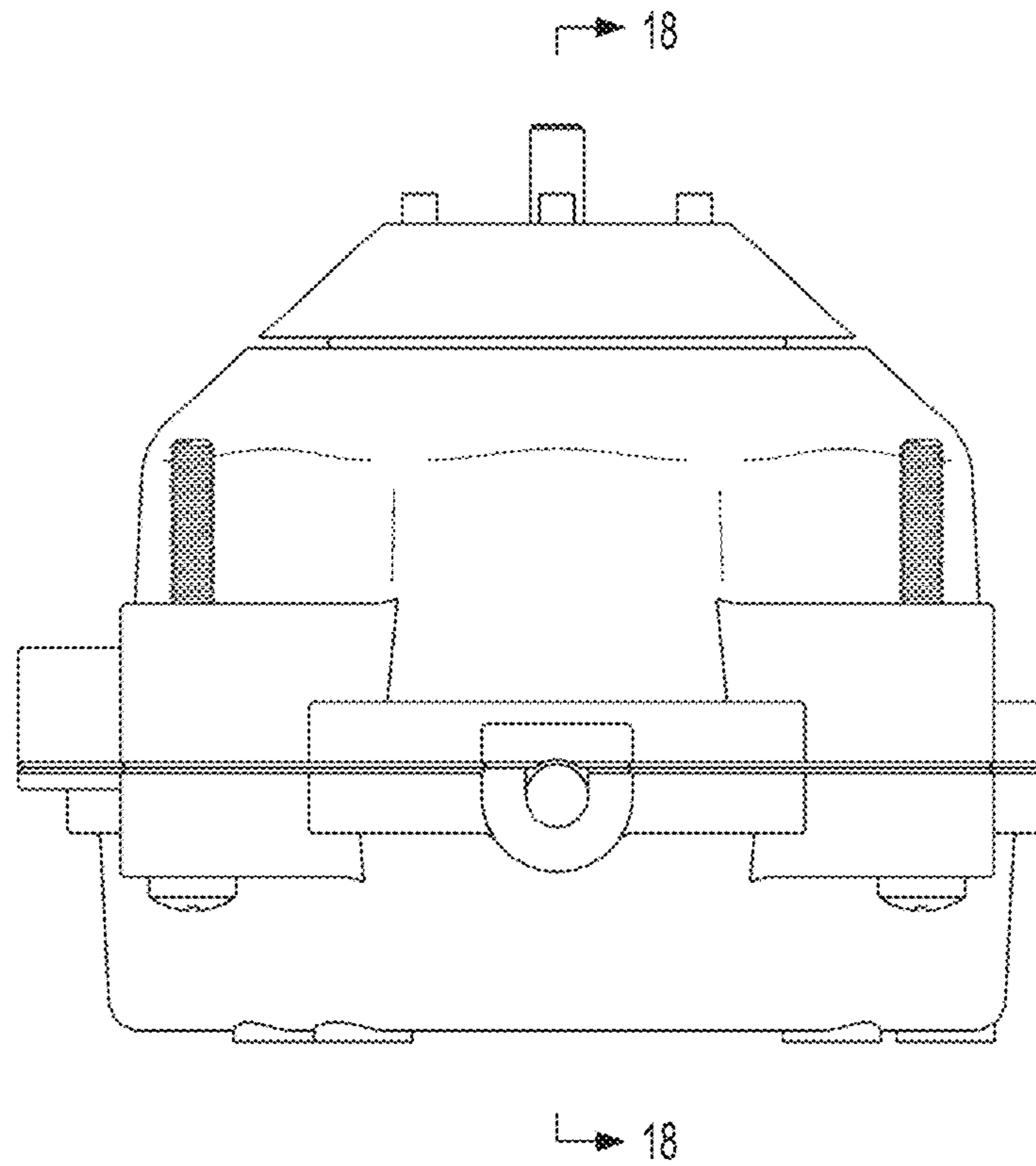


FIG. 15

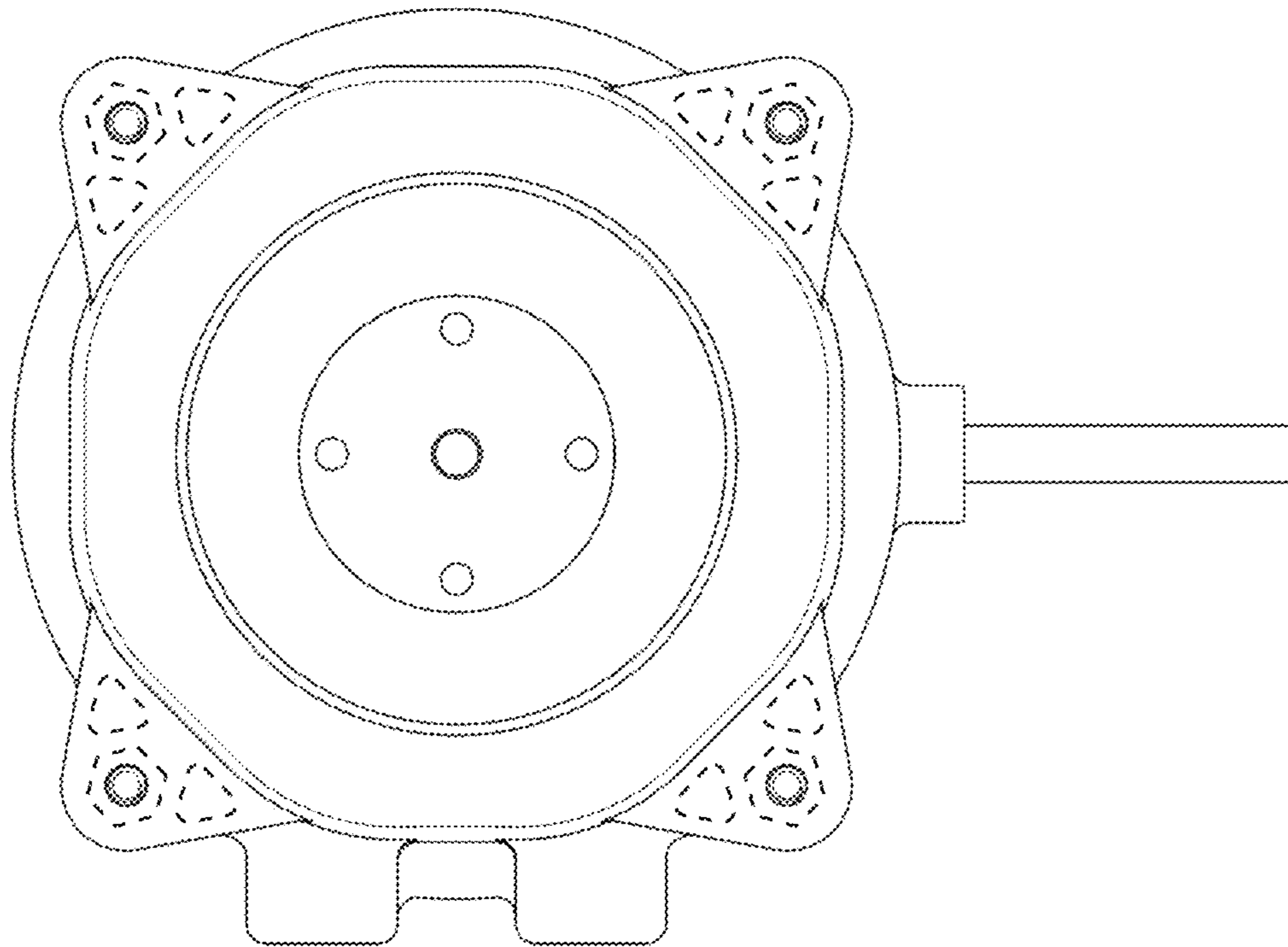


FIG. 16

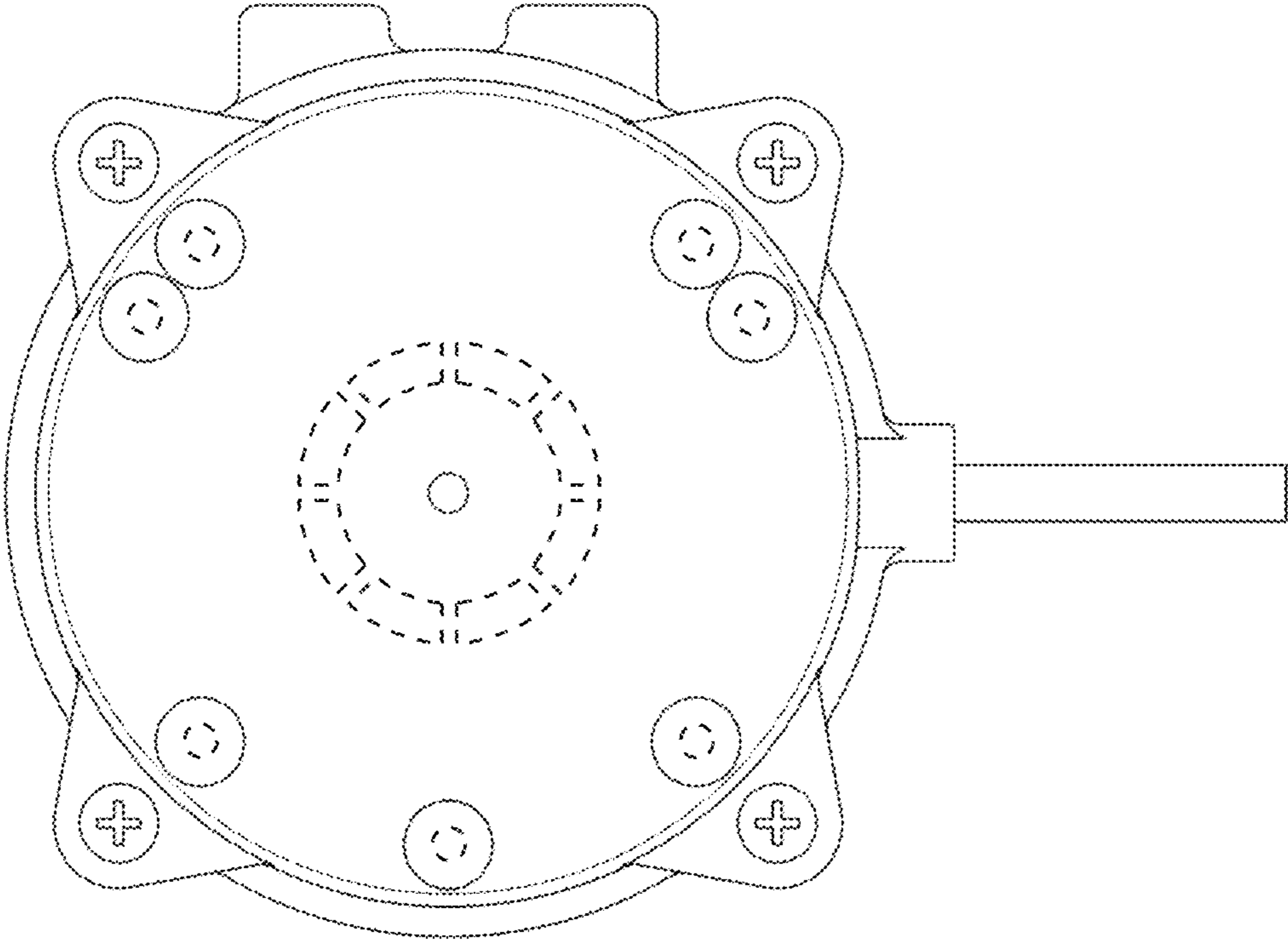


FIG. 17

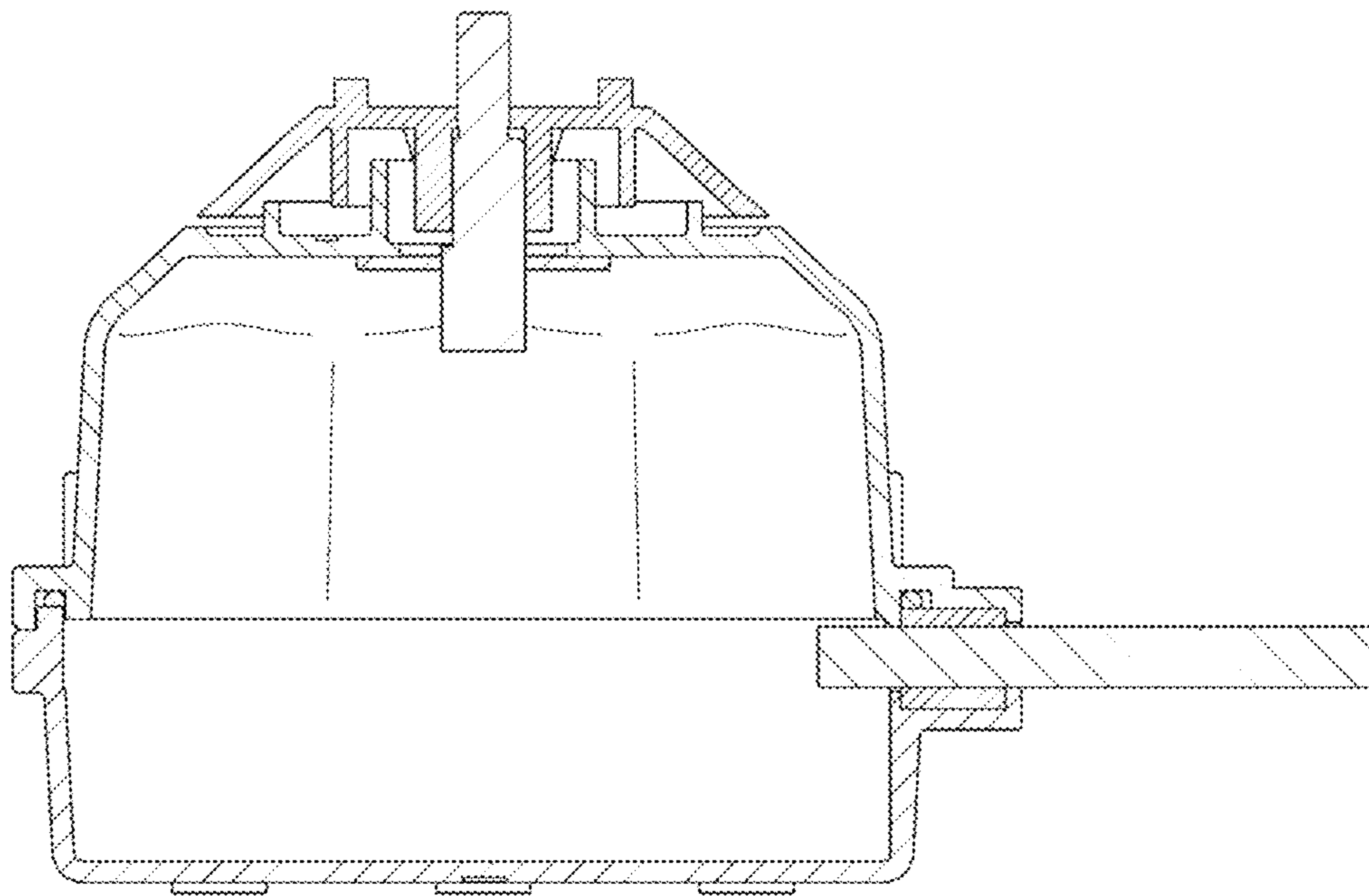


FIG. 18