



US00D927422S

(12) **United States Design Patent** (10) **Patent No.:** **US D927,422 S**
Hasegawa et al. (45) **Date of Patent:** **** Aug. 10, 2021**

(54) **SERVOMOTOR**

(71) Applicant: **Mitsubishi Electric Corporation,**
Tokyo (JP)

(72) Inventors: **Haruyuki Hasegawa,** Tokyo (JP);
Fumiaki Tsuchiya, Tokyo (JP);
Toshihiro Tanaka, Tokyo (JP);
Yoshiyuki Hisamatsu, Tokyo (JP);
Takao Ishibashi, Tokyo (JP); **Masahiro**
Tanaka, Tokyo (JP); **Yuichiro**
Nakamura, Tokyo (JP); **Satohiro**
Hirano, Tokyo (JP); **Toru Ito,** Tokyo
(JP); **Takafumi Komori,** Tokyo (JP)

(73) Assignee: **Mitsubishi Electric Corporation,**
Tokyo (JP)

(**) Term: **15 Years**

(21) Appl. No.: **29/667,887**

(22) Filed: **Oct. 25, 2018**

(30) **Foreign Application Priority Data**

Aug. 2, 2018 (JP) 2018-016992

(51) **LOC (13) Cl.** **13-02**

(52) **U.S. Cl.**
USPC **D13/112**

(58) **Field of Classification Search**
USPC D13/110, 112, 107, 108, 118, 123, 162,
D13/164, 168, 169, 174, 177, 184, 199;
D14/257, 432, 438
CPC H05K 5/00; H05K 5/02; H05K 5/0247;
H05K 7/00; H05K 7/20; H05K 7/20136;
H05K 7/20154; H05K 7/209; H05K
7/1417; H05K 7/1427; H05K 7/20918;
H02M 7/00; H02M 7/003; H02J 7/0042

See application file for complete search history.

(56) **References Cited**

U.S. PATENT DOCUMENTS

D540,252 S *	4/2007	Hsien	D13/110
D609,180 S *	2/2010	Suzuki	D13/110
D804,416 S *	12/2017	Dilley	D13/110
D810,681 S *	2/2018	Ji	D13/110
10,106,127 B2 *	10/2018	Srivatsa	B60S 1/163
10,312,839 B2 *	6/2019	Linder	H02K 11/35
10,348,166 B2 *	7/2019	David	F16M 13/04
10,491,072 B2 *	11/2019	Kitamura	H02K 21/16

(Continued)

OTHER PUBLICATIONS

Servo Motor. (Design—© Questel) orbit.com. [Online PDF compilation of references] 68 pgs. Print Dates Range Oct. 16, 2020-Mar. 30, 2021 [Retrieved Apr. 8, 2021].*

(Continued)

Primary Examiner — Brett Miller

Assistant Examiner — Suzanne E Tisdell

(74) *Attorney, Agent, or Firm* — Studebaker & Brackett
PC

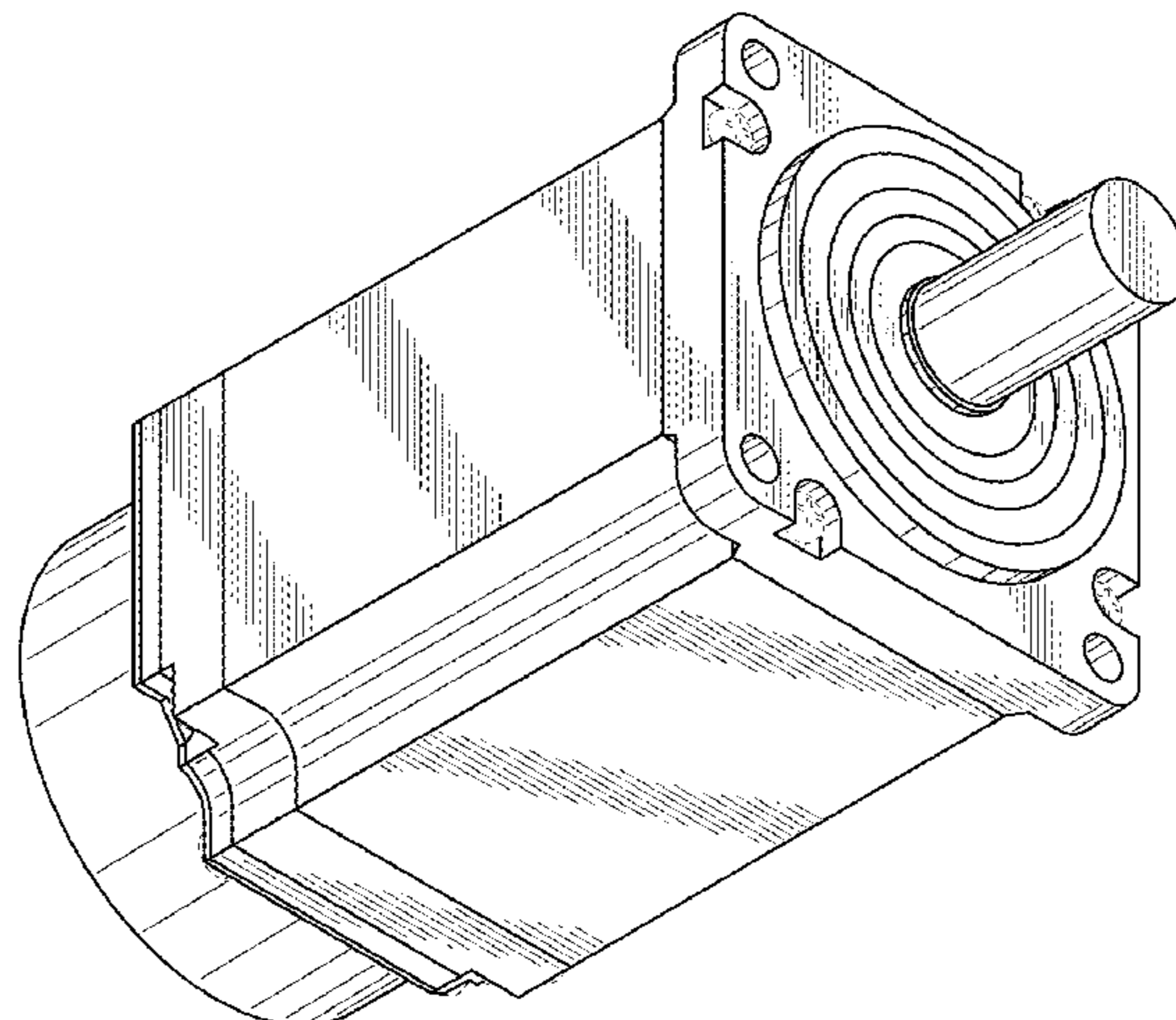
(57) **CLAIM**

The ornamental design for a servomotor, as shown and described.

DESCRIPTION

FIG. 1 is a front, top, and right side perspective view of a servomotor showing our new design;
FIG. 2 is a rear, bottom, and left side perspective view thereof;
FIG. 3 is a front view thereof;
FIG. 4 is a rear view thereof;
FIG. 5 is a top view thereof;
FIG. 6 is a bottom view thereof;
FIG. 7 is a right side view thereof; and,
FIG. 8 is a left side view thereof.
The parts shown in the broken lines do not form part of the claimed designs.

1 Claim, 8 Drawing Sheets



(56)

References Cited

U.S. PATENT DOCUMENTS

D893,424 S * 8/2020 Ouyang D13/112
10,807,248 B2 * 10/2020 Neff H02K 21/046
D906,241 S * 12/2020 Franceschini D13/110
D913,226 S * 3/2021 Tachibana D13/110
D913,920 S * 3/2021 Tachibana D13/110

OTHER PUBLICATIONS

Collins, Danielle. "What Type of Motor is a Servo Motor?" Jun. 20, 2018. Liner Motion Tips. <https://www.linearmotiontips.com/what-type-of-motor-is-a-servo-motor/> (Year: 2018).*

"A Servo Motor with a Controller: How the Two Fit Alongside." Jul. 22, 2019. Rozum Robotics, <https://rozum.com/servo-motor-controllers/> (Year: 2019).*

"Why the Servo Motor Transformed (and Will Continue to Transform) the Converting Industry." May 12, 2017. Delta ModTech. <https://www.deltamodtech.com/blog/why-the-servo-motor-transformed-and-will-continue-to-transform-the-converting-industry/>(Year: 2017).*

* cited by examiner

FIG. 1

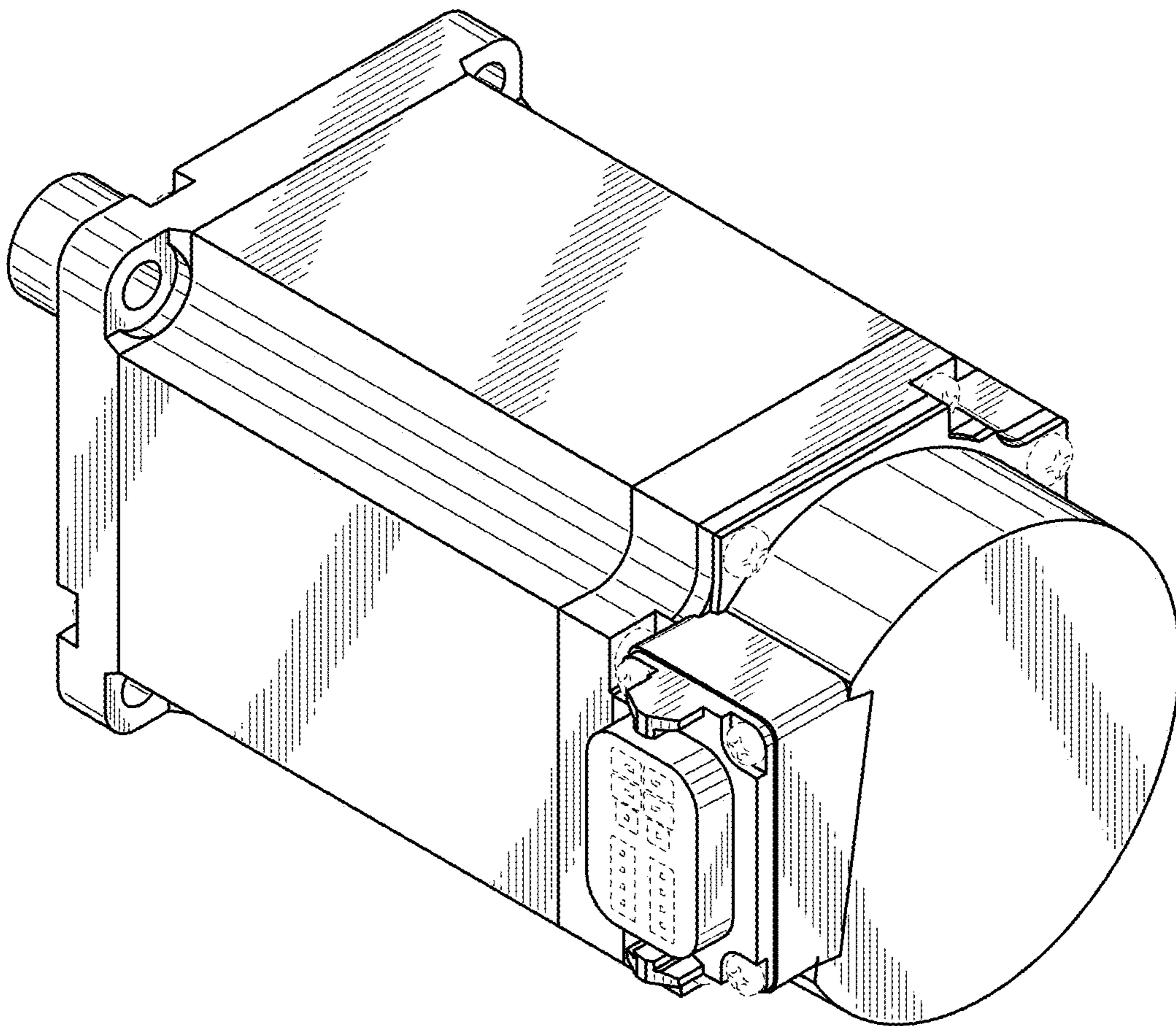


FIG. 2

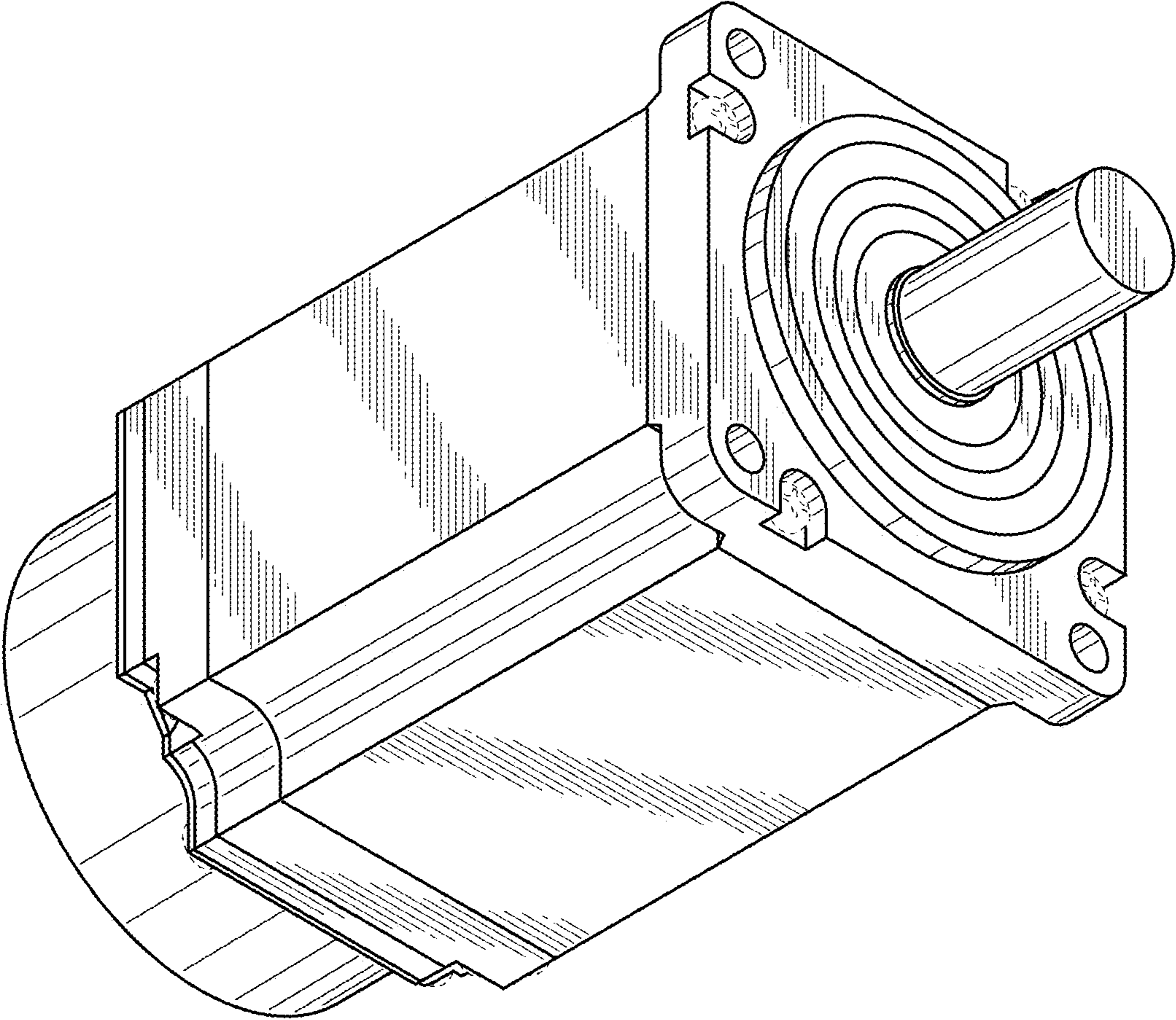


FIG. 3

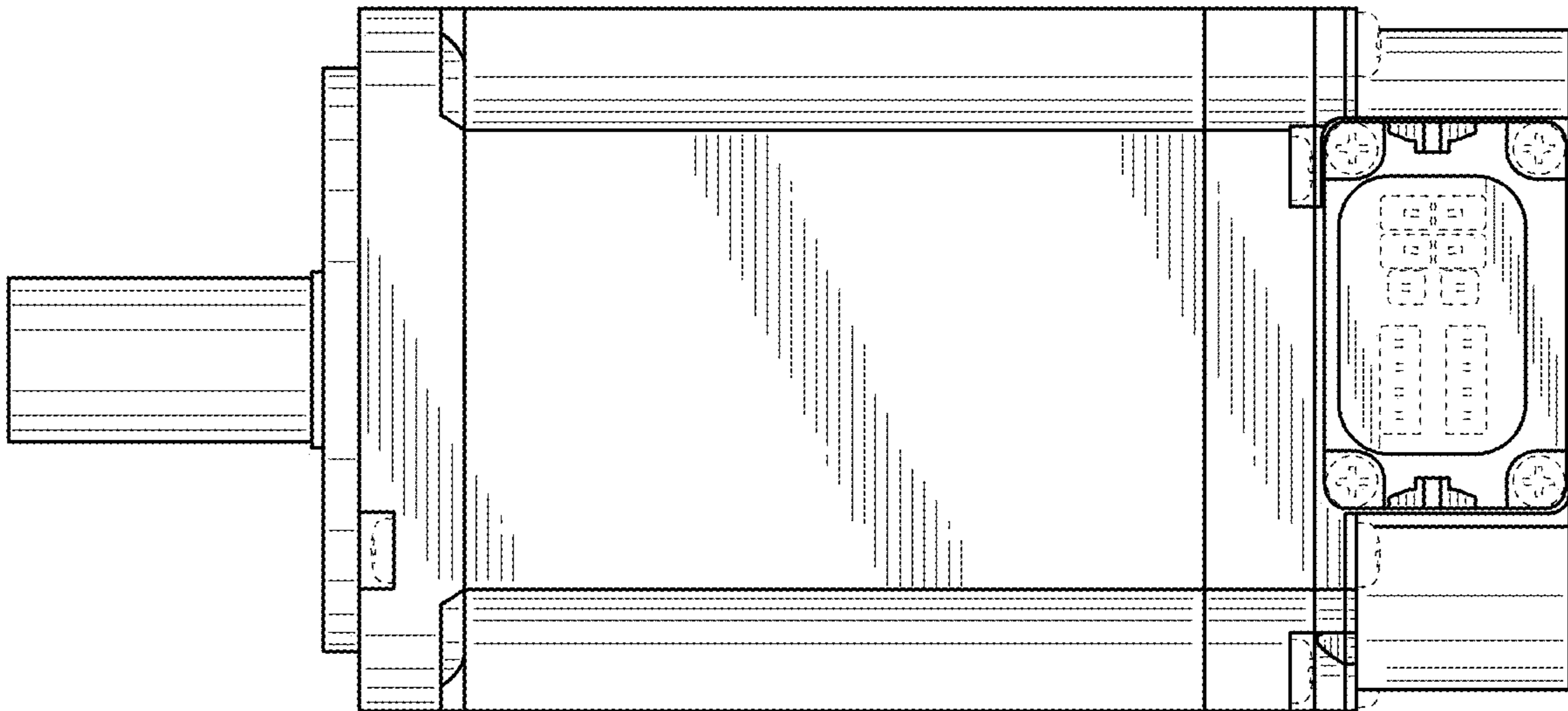


FIG. 4

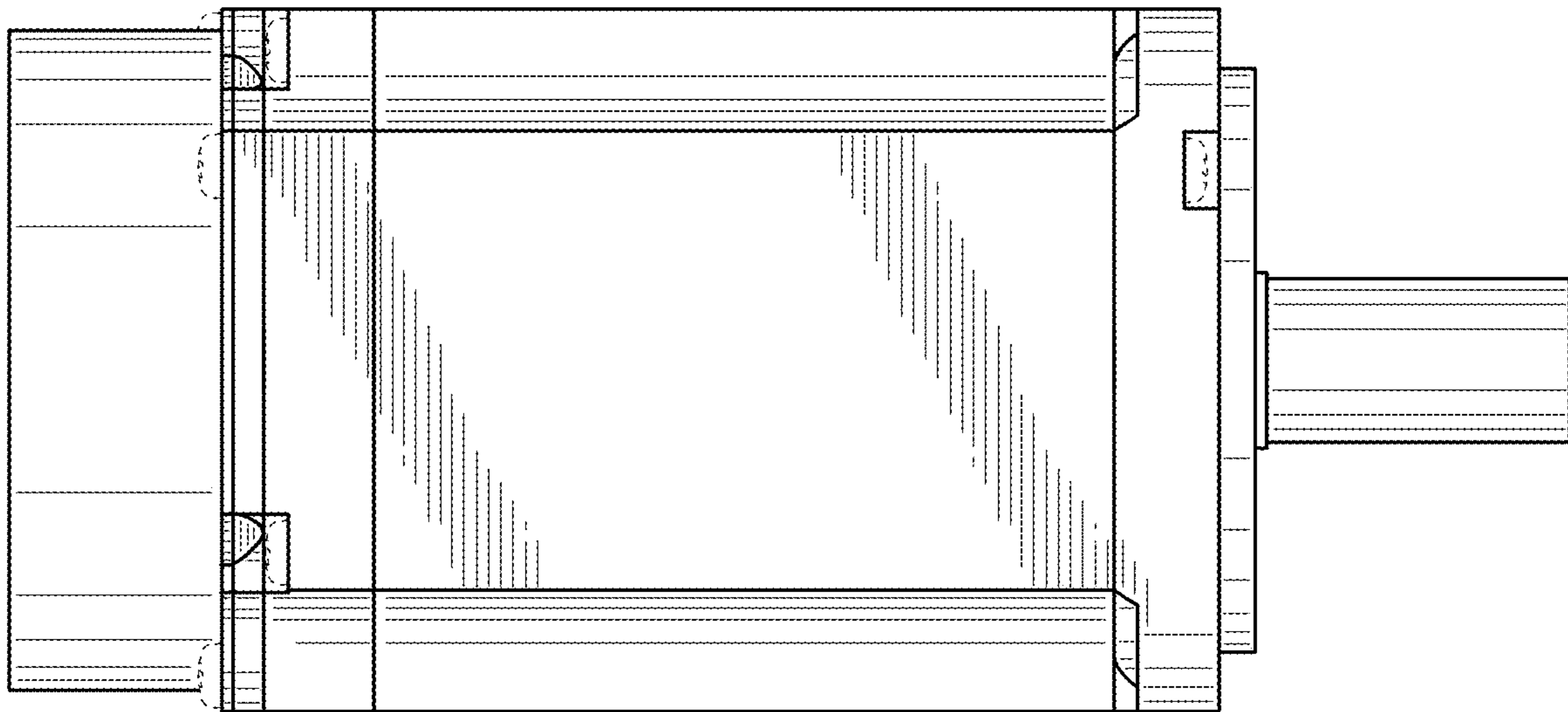


FIG. 5

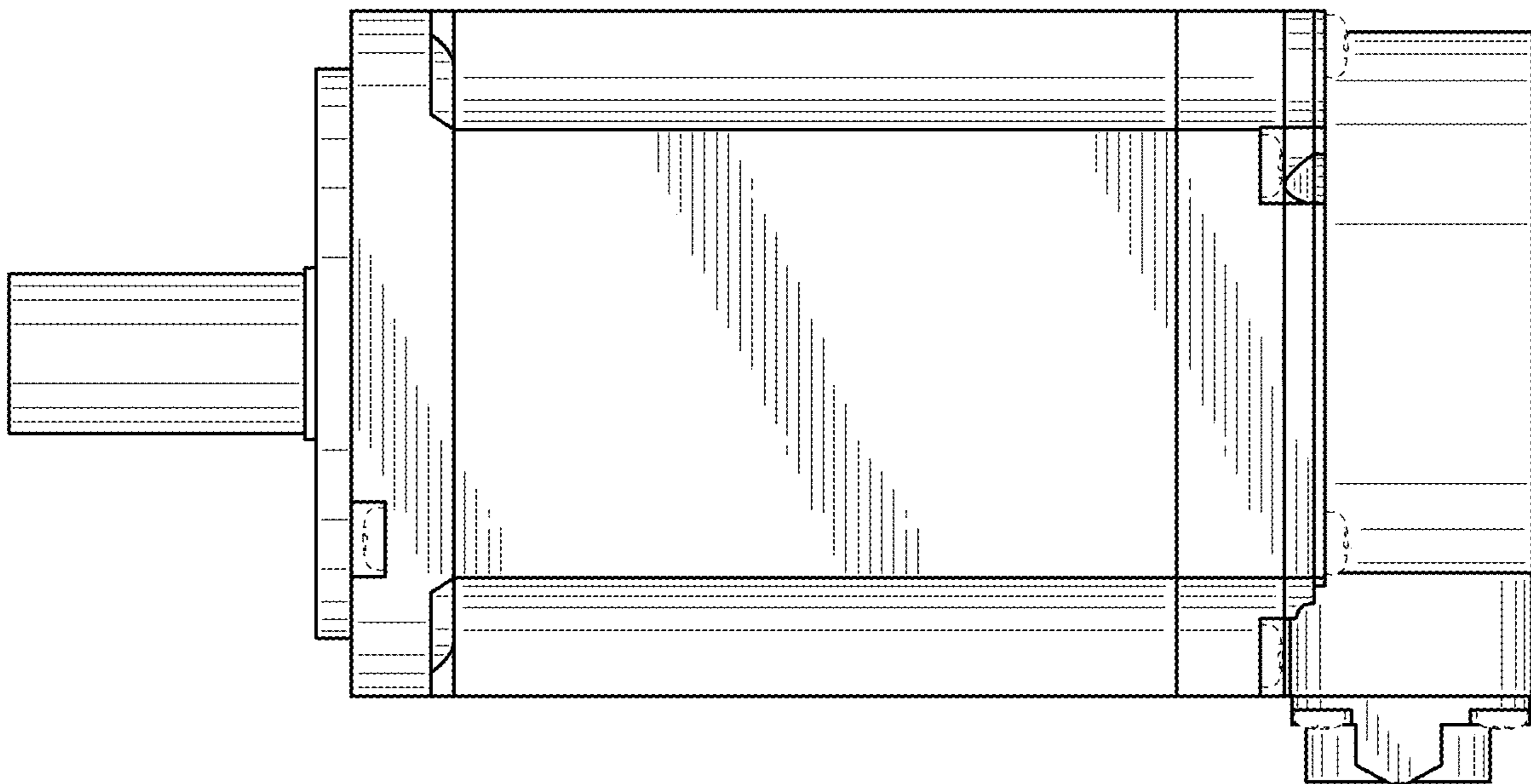


FIG. 6

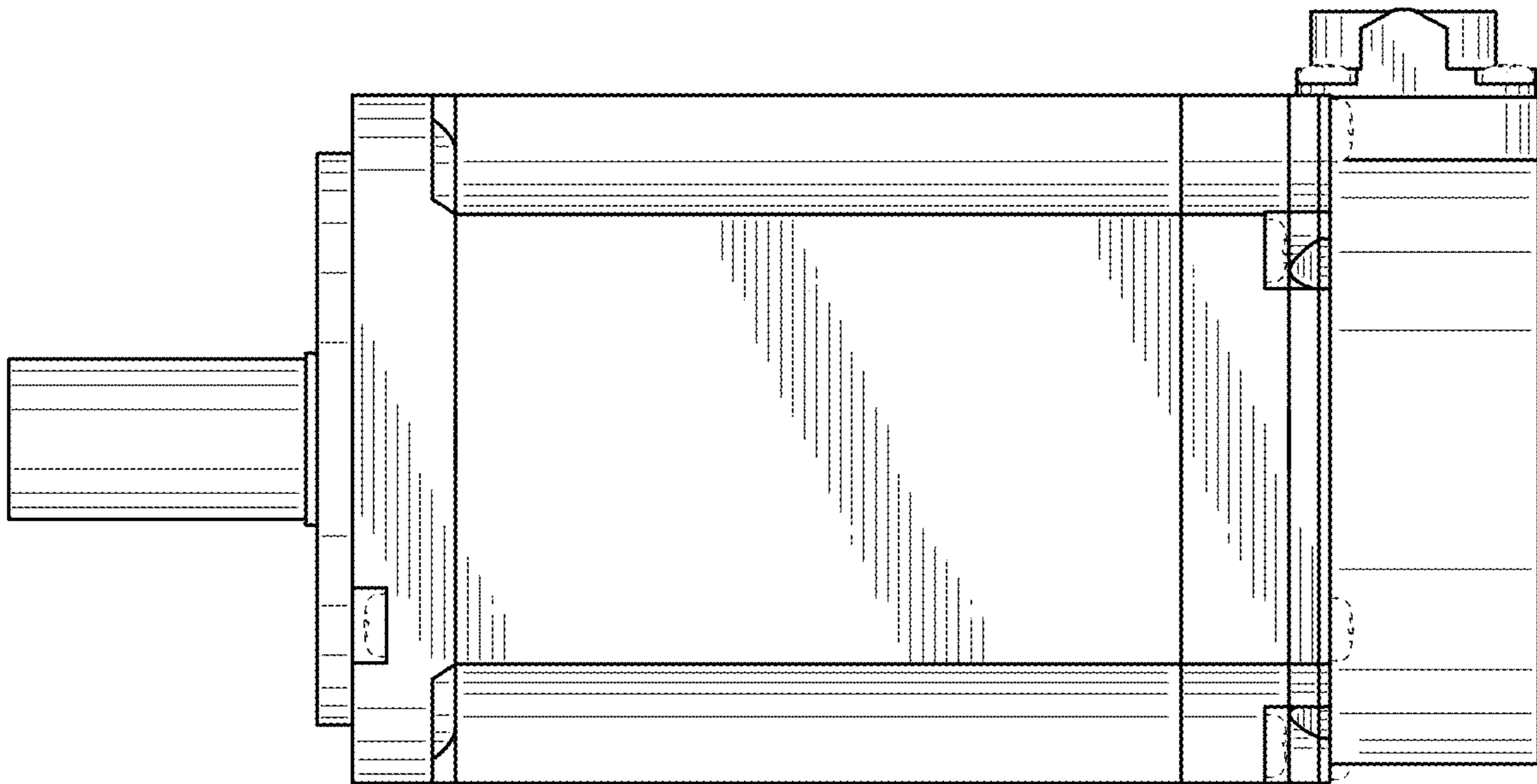


FIG. 7

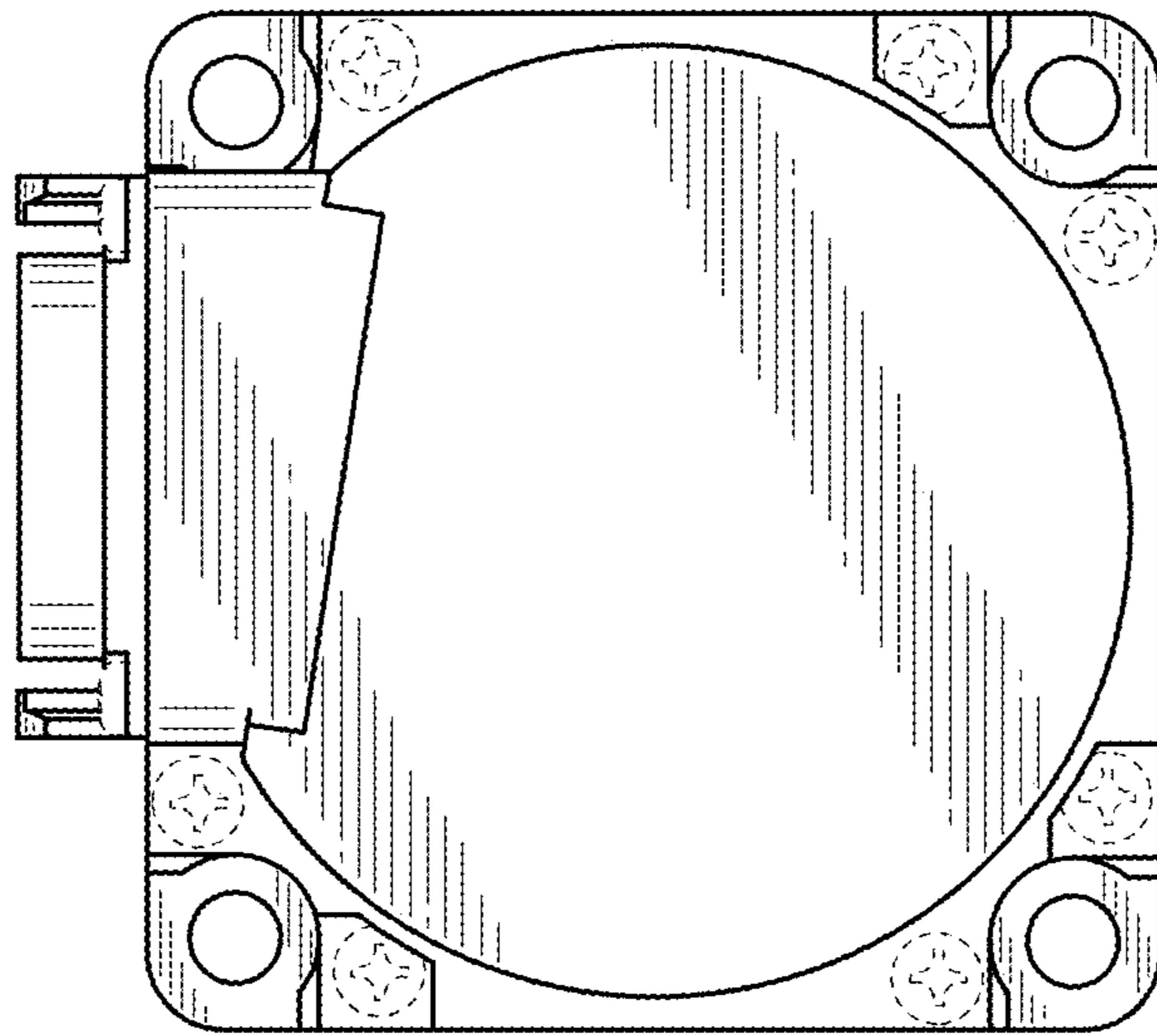


FIG. 8

