



US00D927421S

(12) **United States Design Patent** (10) **Patent No.:** **US D927,421 S**
Xiao et al. (45) **Date of Patent:** **** Aug. 10, 2021**

(54) **CHARGER**

(71) Applicant: **Shenzhen NearbyExpress Technology Development Company Limited,**
Shenzhen (CN)

(72) Inventors: **Tian-Yu Xiao,** Shenzhen (CN);
Cheng-Min Li, Shenzhen (CN)

(73) Assignee: **Shenzhen NearbyExpress Technology Development Company Limited,**
Shenzhen (CN)

(**) Term: **15 Years**

(21) Appl. No.: **29/726,558**

(22) Filed: **Mar. 4, 2020**

(51) **LOC (13) Cl.** **13-02**

(52) **U.S. Cl.**
USPC **D13/110**

(58) **Field of Classification Search**

USPC ... D13/110, 103, 107, 108, 118, 123, 137.1,
D13/137.4, 138.1, 147, 162, 168, 169,
D13/174, 177, 184, 199; D14/240, 242,
D14/257, 356, 357, 432, 433, 438, 480.1,
D14/480.3
CPC H05K 5/00; H05K 5/02; H05K 5/0247;
H05K 7/00; H05K 7/20; H05K 7/20136;
H05K 7/20154; H05K 7/209; H02M 7/00;
H02M 7/003; H02M 2001/009; H02J
7/0042; H02J 7/0055; H02J 2207/40;
Y10T 307/367; Y02E 60/12; Y02E 60/50;
H01M 2/02; H01M 2/025; H01M 2/0207;
H01M 2/0212; H01M 10/44; H01R
13/60; H01R 13/72; H01R 13/6658;
H01R 25/003; H01R 25/006; G06F
3/023; G06F 3/038; G06F 3/0626; G06F
3/0658; G06F 9/4413

See application file for complete search history.

(56) **References Cited**

U.S. PATENT DOCUMENTS

D479,823	S	*	9/2003	Andre	D13/110
D696,627	S	*	12/2013	Tsoi	D13/110
D711,824	S	*	8/2014	Matsuoka	D13/110
D732,472	S	*	6/2015	Laffon	D13/110
D732,512	S	*	6/2015	Fariello	D14/230
D762,173	S	*	7/2016	Solomon	D13/110
D791,076	S	*	7/2017	Kim	D13/108
D820,209	S	*	6/2018	Lemelson	D13/110
2014/0152257	A1	*	6/2014	Miller	H02J 7/0042 320/111
2015/0263553	A1	*	9/2015	Fuller	F16B 2/22 320/114
2019/0190220	A1	*	6/2019	Lamb	H01R 31/065

* cited by examiner

Primary Examiner — Derrick E Holland

(74) *Attorney, Agent, or Firm* — ScienBiziP, P.C.

(57) **CLAIM**

The ornamental design for a charger, as shown and described.

DESCRIPTION

FIG. 1 is a bottom, front, right side perspective view of a charger, showing our design.

FIG. 2 is a top, rear, right side perspective view thereof.

FIG. 3 is a front elevation view thereof.

FIG. 4 is a rear elevation view thereof.

FIG. 5 is a left side elevation view thereof.

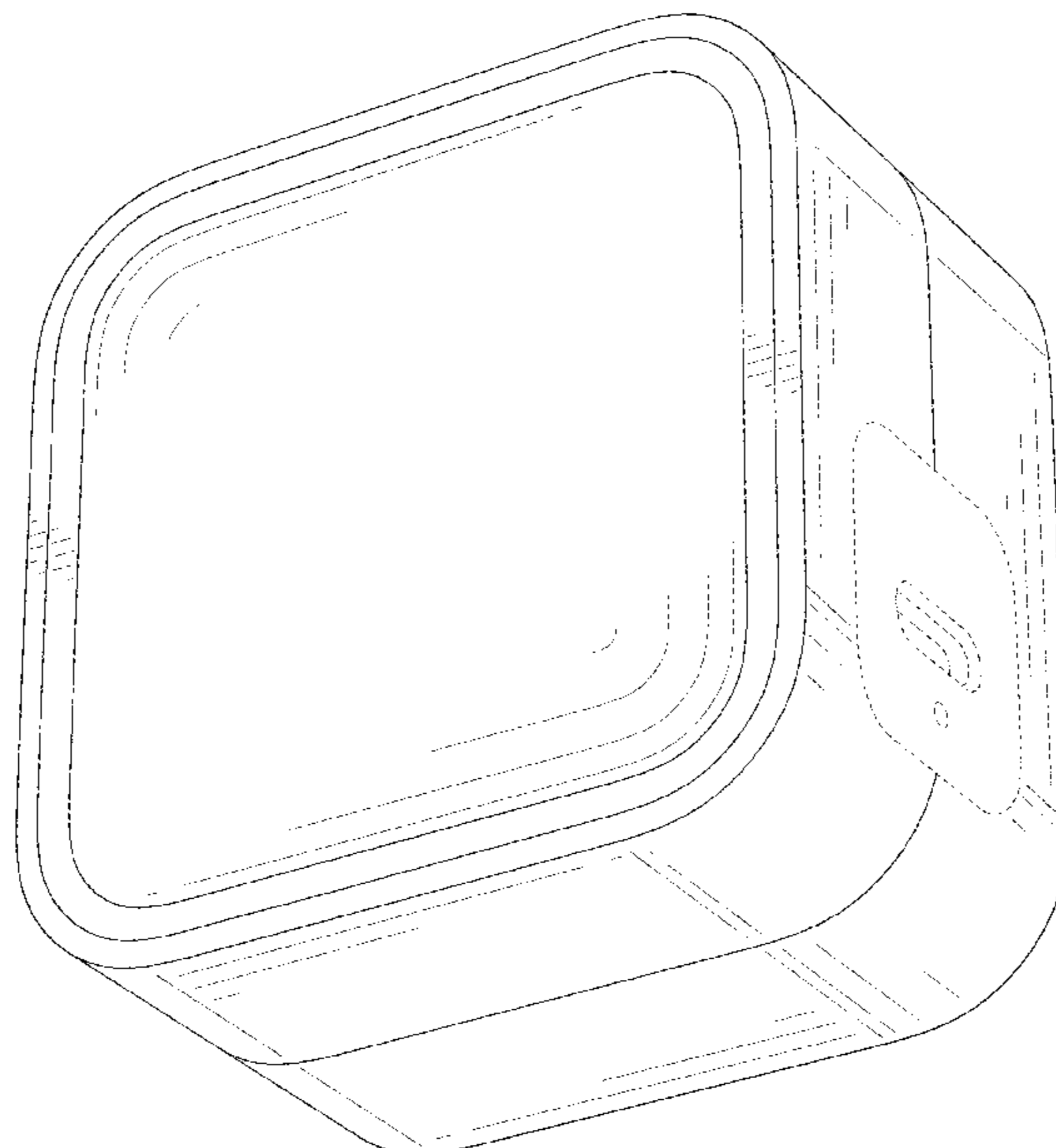
FIG. 6 is a right side elevation view thereof.

FIG. 7 is a top plan view thereof; and,

FIG. 8 is a bottom plan view thereof.

The broken lines shown in the drawings are included for the purpose of illustrating portions of the charger that form no part of the claimed design.

1 Claim, 8 Drawing Sheets



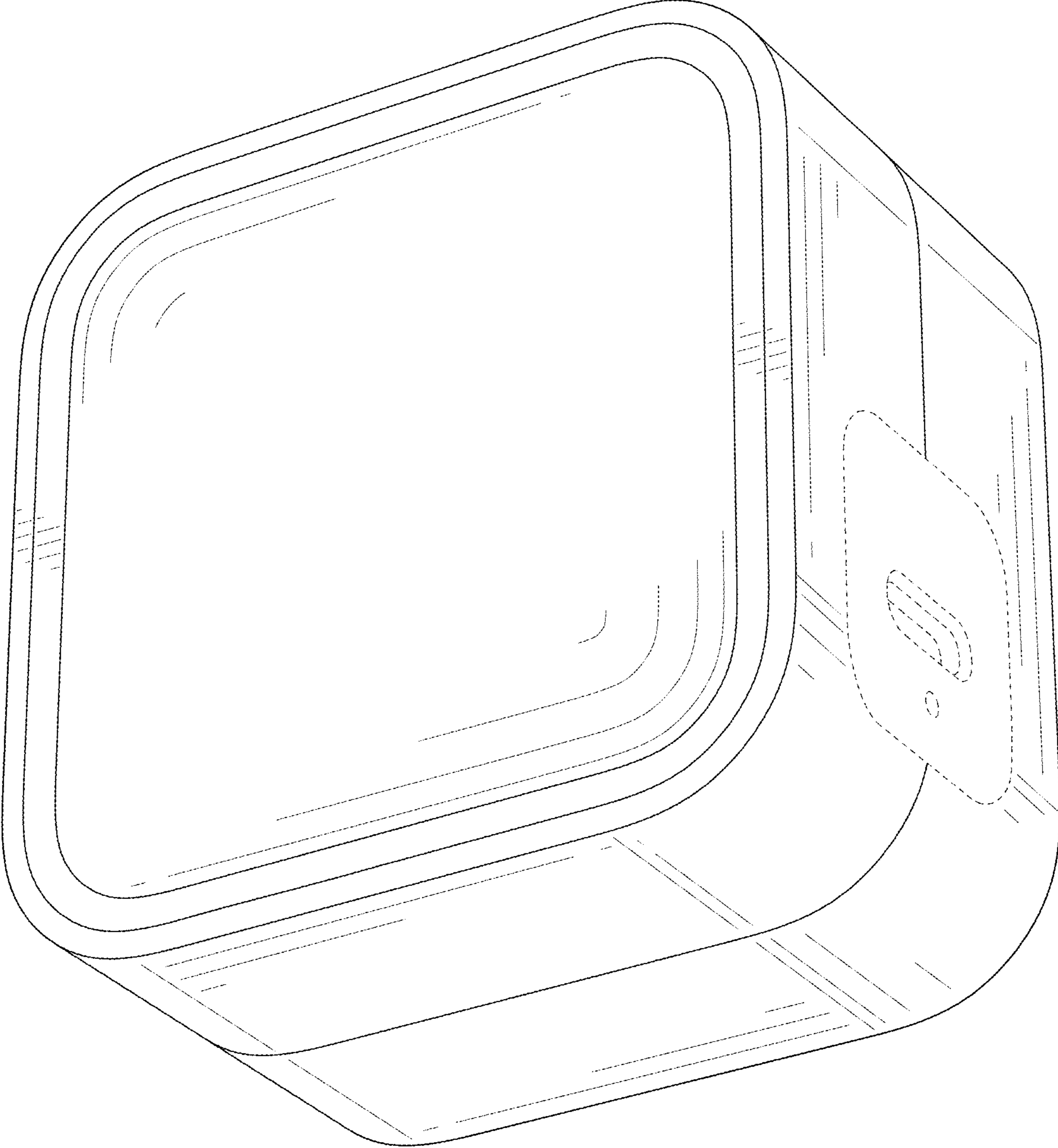


FIG. 1

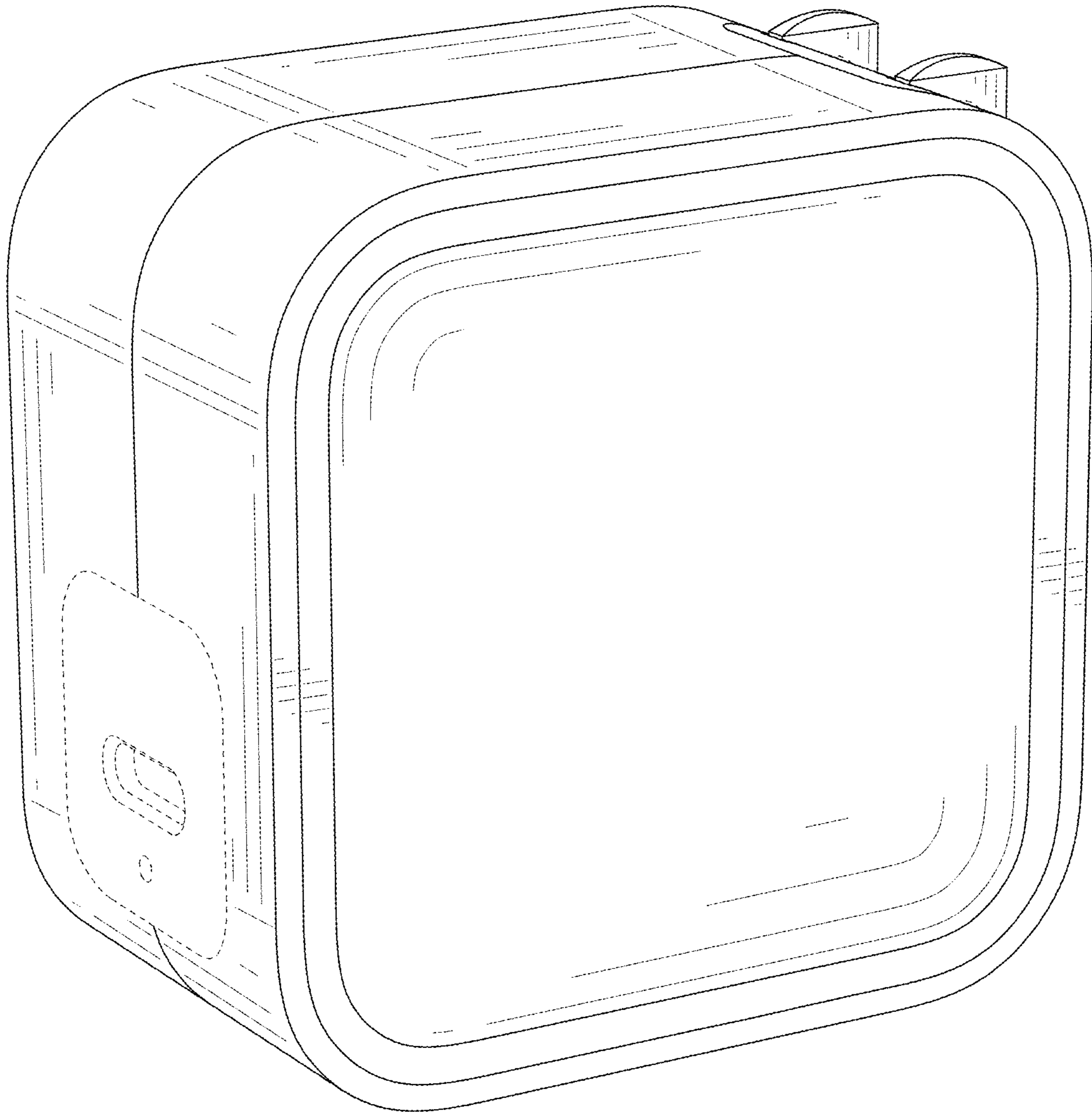


FIG. 2

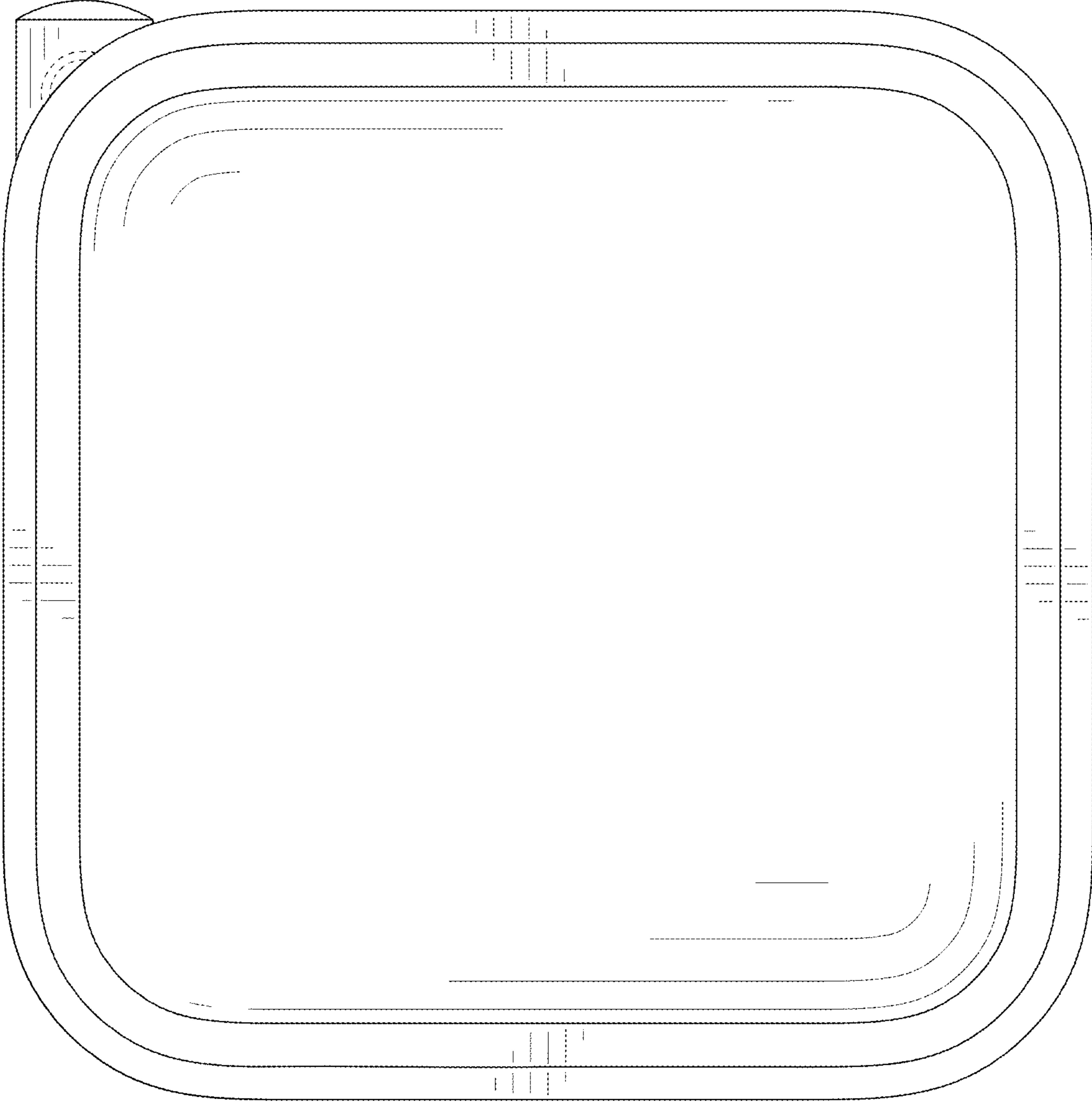


FIG. 3

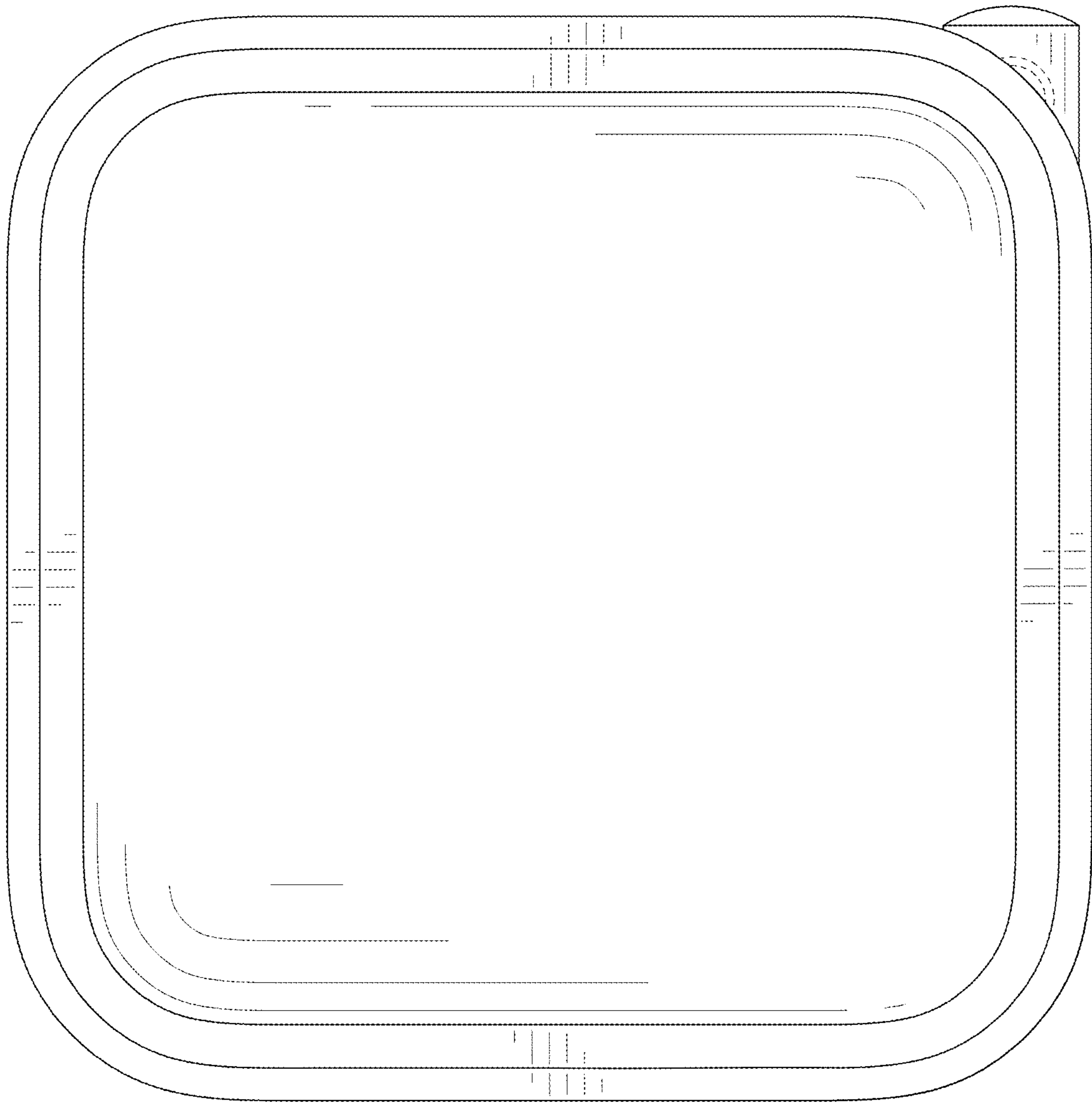


FIG. 4

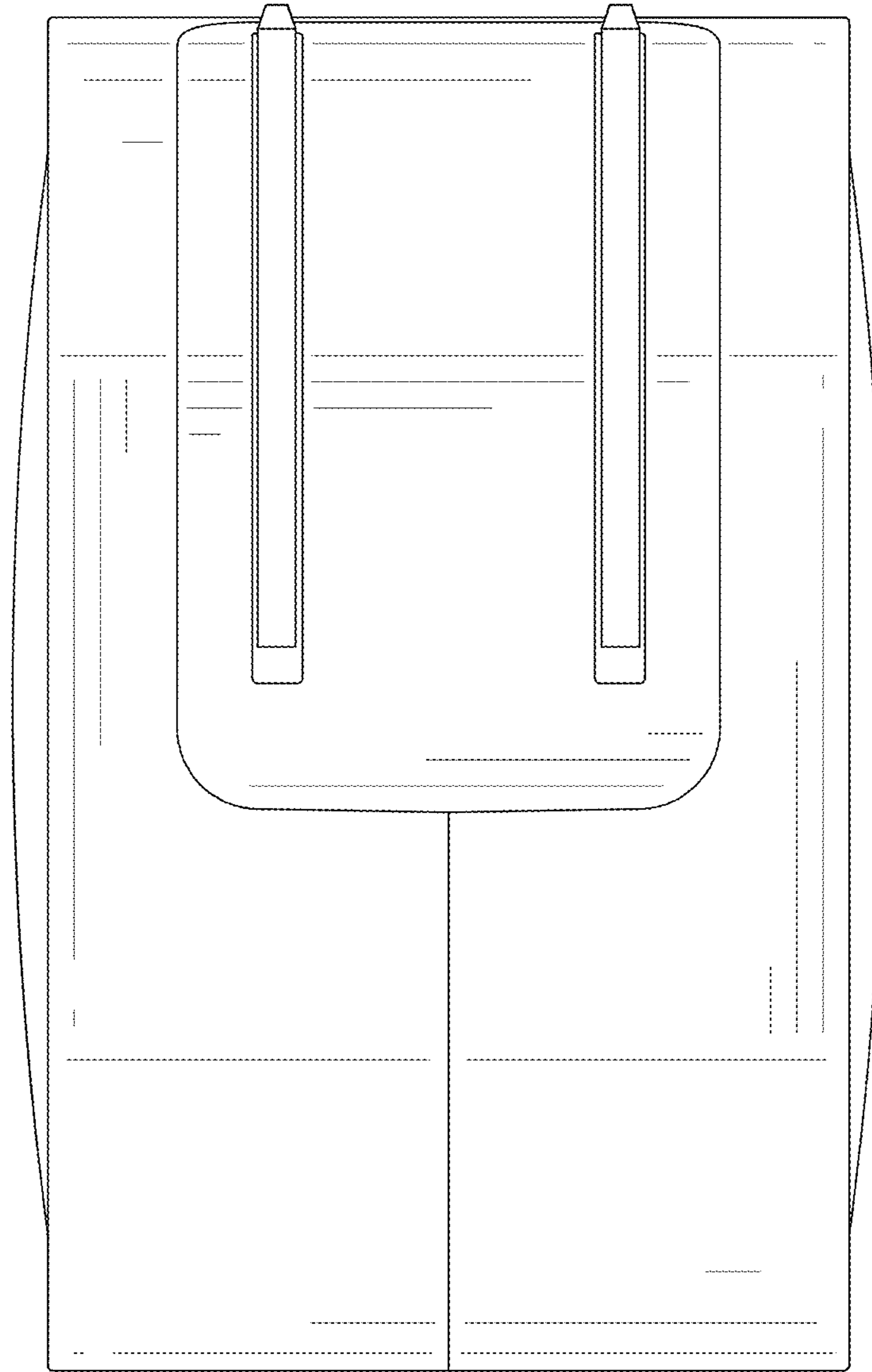


FIG. 5

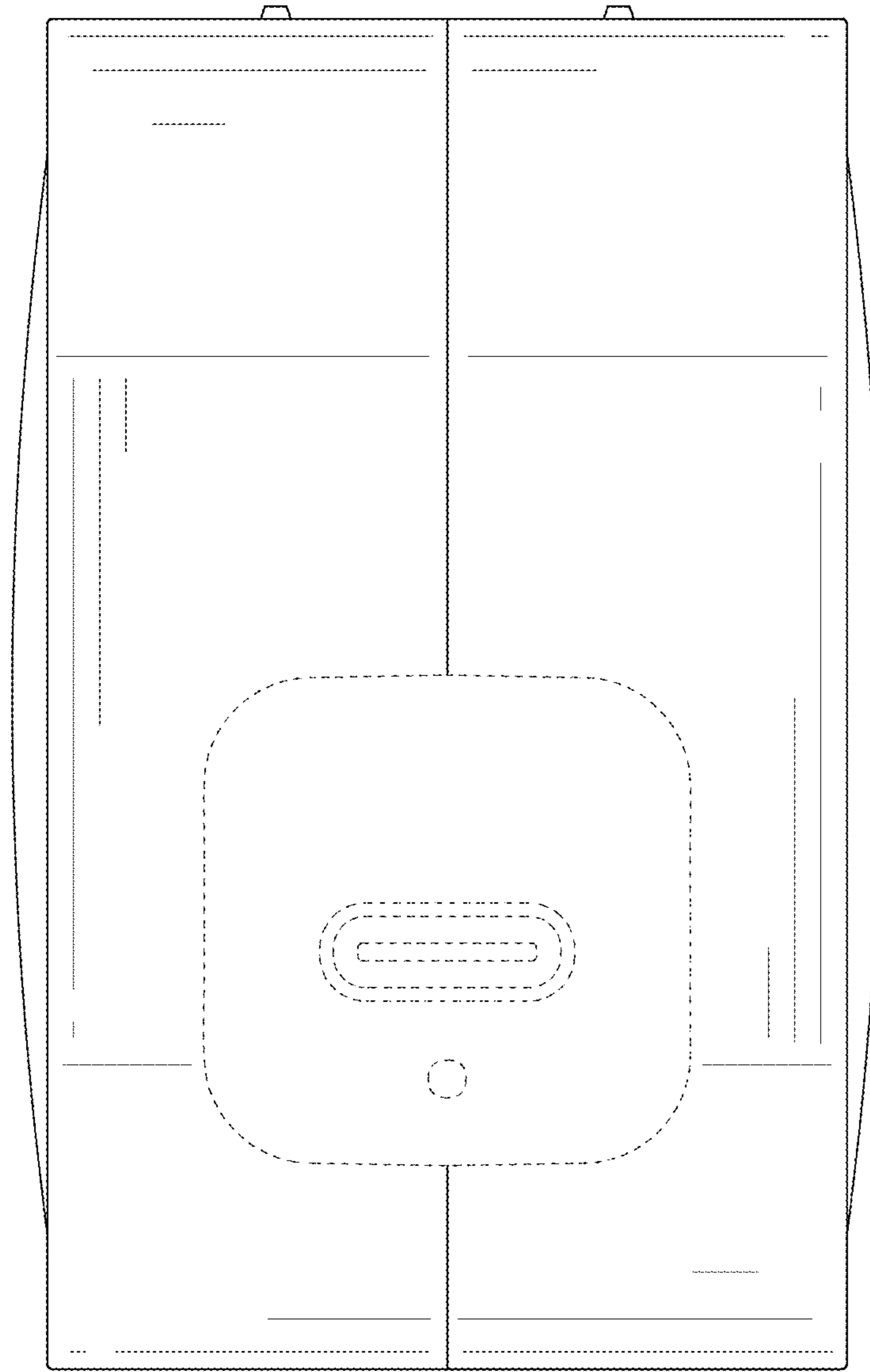


FIG. 6

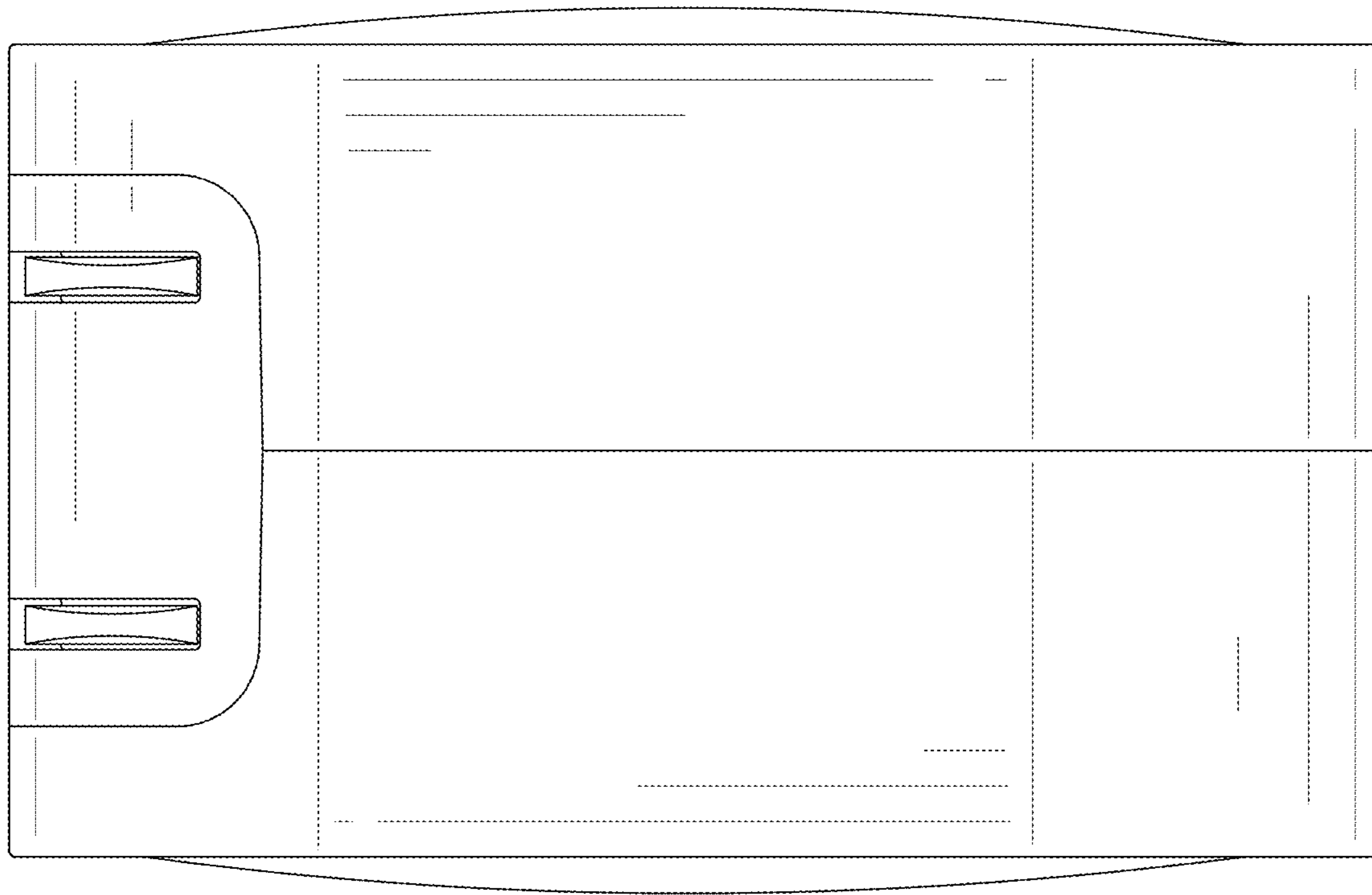


FIG. 7

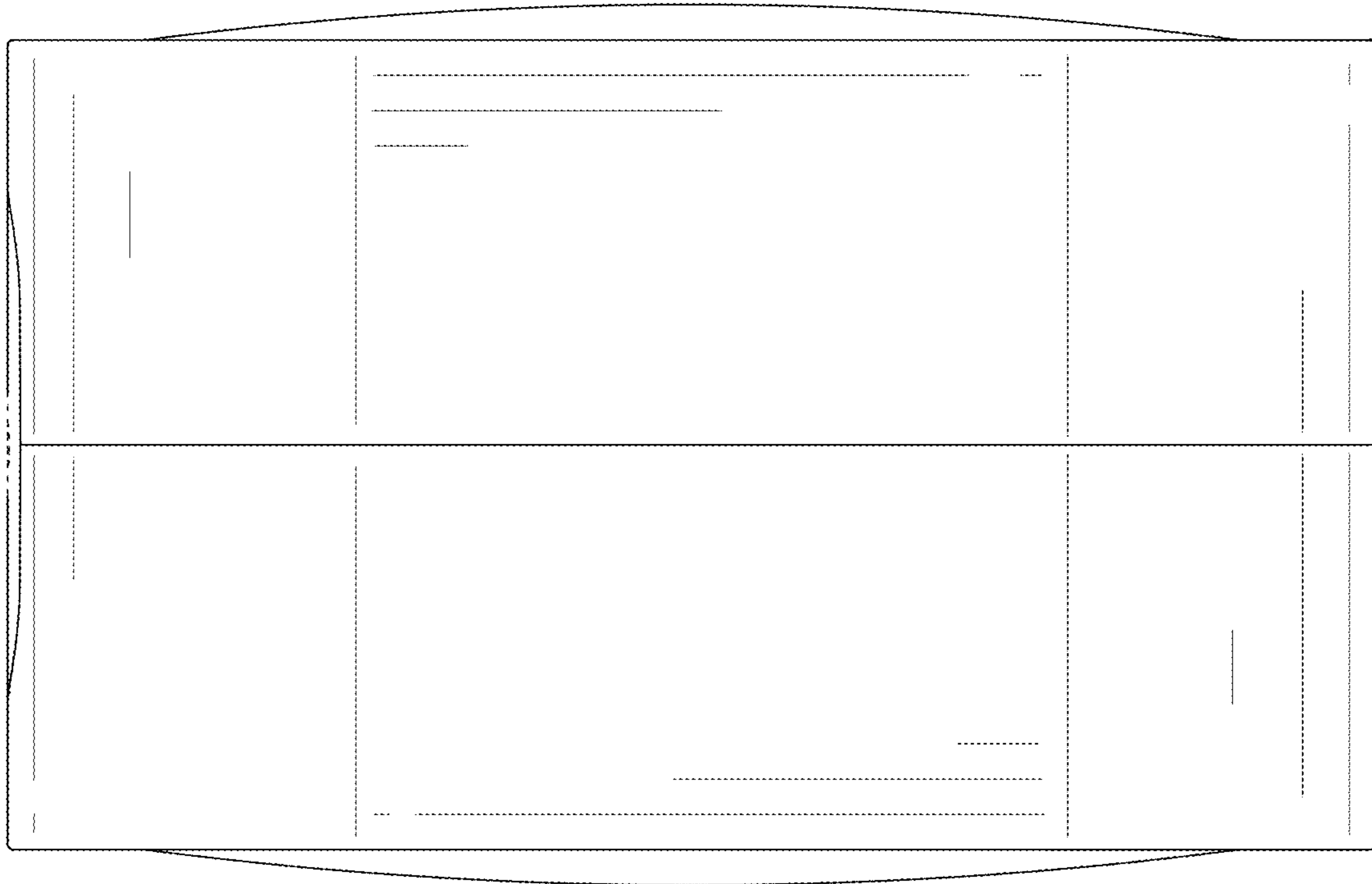


FIG. 8